



INDOOR COOKING

Drawer Microwave
KMWR30

Installation Manual

 HESTAN

⚠️ WARNING

IF THE INFORMATION IN THIS MANUAL IS NOT FOLLOWED EXACTLY, A FIRE OR EXPLOSION MAY RESULT CAUSING PROPERTY DAMAGE, PERSONAL INJURY, OR DEATH.

Do not store or use gasoline or other flammable vapors and liquids in the vicinity of this or any other appliance.

Installation and service must be performed by a qualified installer or service agency.

DO NOT REPAIR, REPLACE OR REMOVE ANY PART OF THE APPLIANCE UNLESS SPECIFICALLY RECOMMENDED IN THE MANUAL. IMPROPER INSTALLATION, SERVICE OR MAINTENANCE CAN CAUSE INJURY OR PROPERTY DAMAGE. REFER TO THIS MANUAL FOR GUIDANCE. ALL OTHER SERVICING SHOULD BE DONE BY A HESTAN AUTHORIZED SERVICE TECHNICIAN.

READ THESE INSTRUCTIONS CAREFULLY AND COMPLETELY BEFORE INSTALLING OR USING YOUR APPLIANCE TO REDUCE THE RISK OF FIRE, BURN HAZARD, OR OTHER INJURY. KEEP THIS MANUAL FOR FUTURE REFERENCE.

SAFETY DEFINITIONS

⚠️ WARNING THIS INDICATES THAT DEATH OR SERIOUS INJURY MAY OCCUR AS A RESULT OF NOT OBSERVING THIS WARNING

⚠️ CAUTION THIS INDICATES THAT MINOR OR MODERATE INJURY MAY OCCUR AS A RESULT OF NOT OBSERVING THIS WARNING.

NOTICE THIS INDICATES THAT DAMAGE TO THE APPLIANCE OR PROPERTY MAY OCCUR AS A RESULT OF NOT OBSERVING THIS WARNING.

INSTALLER: LEAVE THIS MANUAL WITH THE OWNER OF THE APPLIANCE.

HOMEOWNER: RETAIN THIS MANUAL FOR FUTURE REFERENCE.

INSTALLATION AND SERVICE MUST BE PERFORMED BY A QUALIFIED INSTALLER.

TABLE OF CONTENTS

1	SAFETY PRECAUTIONS - BEFORE YOU BEGIN
2	MODEL NUMBERS
2	RATING LABEL
2	REGULATORY / CODE REQUIREMENTS
2	IMPORTANT NOTES
3	CLEARANCES AND DIMENSIONS
10	INSTALLATION STEPS

SAFETY PRECAUTIONS - BEFORE YOU BEGIN

When properly cared for, your Hestan Drawer Microwave will provide safe, reliable service for many years. When using this microwave, basic safety practices must be followed as described in the following pages.

IMPORTANT: Save these instructions for the local Utility Inspector's use.

INSTALLER: Please leave these Installation Instructions with the owner.

OWNER: Please read these Instructions and save them for future reference

▲WARNING

ELECTRICAL SHOCK HAZARD

Disconnect power before installing or servicing appliance. Failure to do so can result in electrical shock or death. It is the responsibility of the user to have the appliance connected by a licensed electrician in accordance with all applicable codes and standards, including fire-related construction. See "ELECTRICAL CONNECTION" for details.



ELECTRICAL SUPPLY AND GROUNDING

- This appliance must be grounded. Grounding reduces the risk of electric shock in the event of a short circuit. See "INSTALLATION STEPS" on page 10 for instructions.
- This appliance must be connected to 120 VAC Single Phase, 60 Hz, with a current rating as shown in the model number listing on page 2.
- **OWNER:** Have the installer show you where the electric circuit breaker is located so you know how to shut off the power to this appliance.

GENERAL SAFETY PRECAUTIONS

When properly cared for, your new Drawer Microwave has been designed to be a safe, reliable appliance. Read all instructions carefully before using it. When using kitchen appliances, basic safety precautions must be followed.

▲WARNING

TO REDUCE THE RISK OF FIRE, ELECTRIC SHOCK, OR INJURY TO PERSONS, OBSERVE THE FOLLOWING:

- a) Use this microwave only as intended by the manufacturer. If you have any questions, contact the manufacturer.
- b) Before servicing or cleaning unit, unplug the microwave or switch power off at service panel and lock the service disconnecting means to prevent power from being switched on accidentally. If the appliance cannot be unplugged and the service disconnecting means cannot be locked, securely fasten a prominent warning device, such as a tag, to the service panel.

MODEL NUMBERS

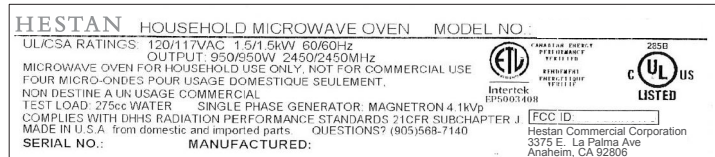
MODEL NO.	DESCRIPTION	CIRCUIT BREAKER
KMWR30	30" Drawer Microwave	15 Amps

All units 115 VAC 60 Hz

RATING LABEL

The rating plate includes model and serial number. Open the Drawer Microwave fully. The label is beyond the back wall of the drawer facing up from the bottom surface.

If service is necessary, contact Hestan Customer Care with the model and serial number information shown on the label.



TYPICAL RATING LABEL

REGULATORY / CODE REQUIREMENTS

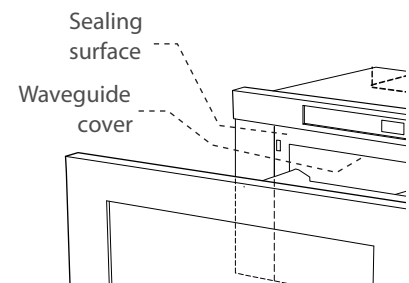
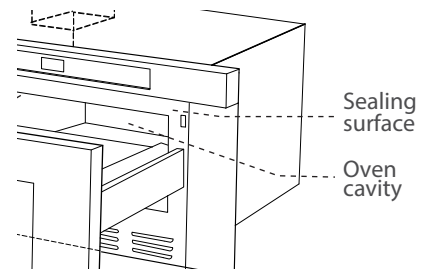
Installation of this cooking appliance must be made in accordance with local codes. In the absence of local codes, this unit should be installed in accordance with the National Electrical Code and local codes.

This appliance must be electrically grounded in accordance with local codes or in the absence of local codes with the National Electrical Code ANSI/NFPA 70, or Canadian Electrical code CSA C22.1.

IMPORTANT NOTES

UNPACKING YOUR DRAWER MICROWAVE

- Remove all packing materials from inside the Drawer Microwave. **DO NOT REMOVE THE WAVEGUIDE COVER**, which is located on the top of the Drawer Microwave.
- Remove the feature sticker, if there is one. Check the drawer for any damage, such as misaligned or bent drawer, damaged drawer seals and sealing surfaces, broken or loose Drawer Microwave guides and dents inside the cavity or on the front side of the drawer. If there is any damage, do not operate the Drawer Microwave and contact your dealer or a HESTAN AUTHORIZED SERVICER.



IMPORTANT NOTES TO THE INSTALLER

- Read all of the Installation Manual before installing the Drawer Microwave.
- Remove all packing material before connecting the electrical supply.
- Observe all governing codes and ordinances.

BE SURE TO LEAVE THESE INSTRUCTIONS WITH THE CONSUMER.

CLEARANCES AND DIMENSIONS

IMPORTANT NOTES TO THE CONSUMER

Keep this manual with your Use and Care Manual for future reference.

- As when using any microwave oven generating heat, there are certain safety precautions you should follow. These are listed in the Use and Care Manual. Read all and follow carefully.
- Be sure your Drawer Microwave is installed and grounded properly, in accordance with local codes by a qualified installer or service technician.

IMPORTANT SAFETY INSTRUCTIONS

▲WARNING If the information in this manual is not followed exactly, a fire or electrical shock may result that could cause property damage, personal injury or death.

▲WARNING To reduce the risk of tipping, the Drawer Microwave must be secured by a properly installed Anti-Tip block.

▲WARNING Do not install drawer in any combustible cabinetry unless it meets the stated clearances and dimensions on the following pages. See Figure 1, 2 and 3.

- Make sure the wall coverings and the cabinets around the Drawer Microwave can withstand the heat generated by the appliance.

▲WARNING Never leave children alone or unattended in the area where a Drawer Microwave is in use. Never leave the drawer open when the microwave is unattended.

▲WARNING Stepping, leaning or sitting on the drawer may result in serious injuries and can also cause damage to the Drawer Microwave.

- Do not use the Drawer Microwave as a storage space. This creates a potentially hazardous situation.
- Check that the time of day is in the display. If not, touch **Stop/Clear** to prevent unintended use.

ABOUT DIMENSIONS

- Figure 1 shows dimensions of the unit. Figures 2 - 3 provide minimum clearance for standard (non-flush) installation. Figures 4 - 9 show clearances and additional information for flush installation. Suggested electrical outlet location is shown in figures 2 - 6. ¹
- Contact surface must be solid and level. Pay special attention to the floor on which the Drawer Microwave will sit. The floor of the opening should be constructed of plywood strong enough to support the weight of the unit—about 100 pounds [45 kg].
- Check location where the Drawer Microwave will be installed for proper electrical supply.
- Your Drawer Microwave can be installed into a cabinet by itself or below any electric or gas wall oven. Be sure that the clearance of the floor between the wall oven and the Drawer Microwave is a minimum of 2 inches [5.1 cm].
- Always check electrical codes for requirements.

▲CAUTION The Drawer Microwave must be placed close enough to the electrical outlet so that the cord is not under tension.

See Figures 1 - 6 for required clearances and dimensions when planning the drawer's location.

¹ An electrical outlet in an adjacent cabinet can be used, as long as the provided electrical cord can reach without pulling tight. Power cord access hole in cabinet should be a minimum 1 1/2" [3.8 cm] diameter hole and deburred of all sharp edges.

CLEARANCES AND DIMENSIONS (CONT.)

DRAWER MICROWAVE DIMENSIONS

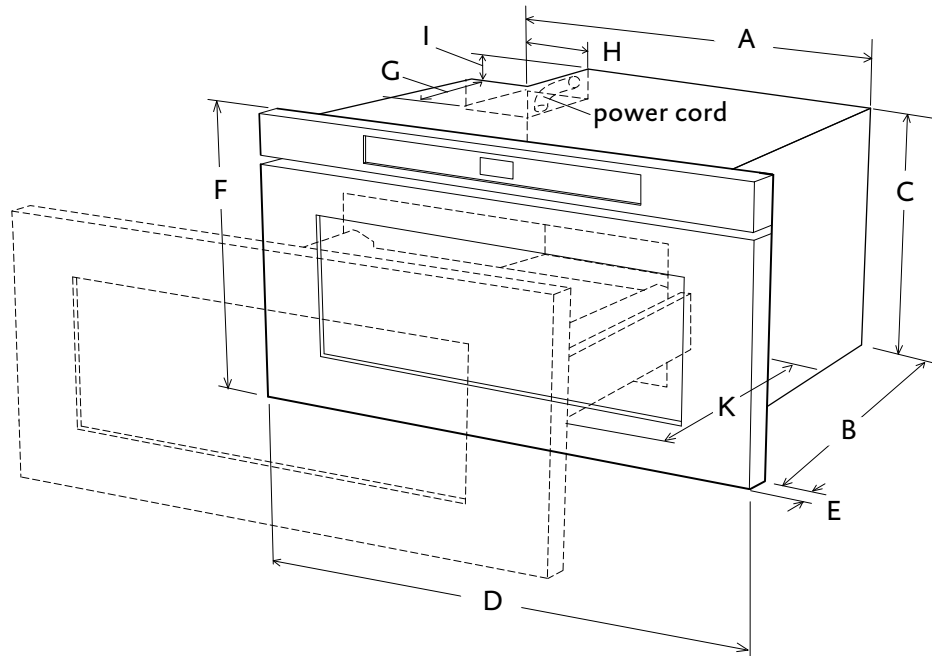


Figure 1. Microwave dimensions

KEY	DESCRIPTION	DIMENSION
A	Unit width	21-5/8 in. [54.9 cm]
B	Depth without door	21-7/8 in. [55.6 cm]
C	Height of body	14-19/32 in. [37.1 cm]
D	Width of door face	30 in. [76.2 cm]
E	Door thickness	1-11/16 in. [4.3 cm]
F	Height of appliance face	15 in. [38.1 cm]
G	Cord recess depth	4 in. [10.2 cm]
H	Cord recess width	4-11/16 in. [11.9 cm]
I	Cord recess height	1-3/4 in. [4.5 cm]
K	Auto drawer opening	15 in. [38.1 cm]

CLEARANCES AND DIMENSIONS (CONT.)

EN

CABINET DIMENSIONS, STANDARD INSTALLATION

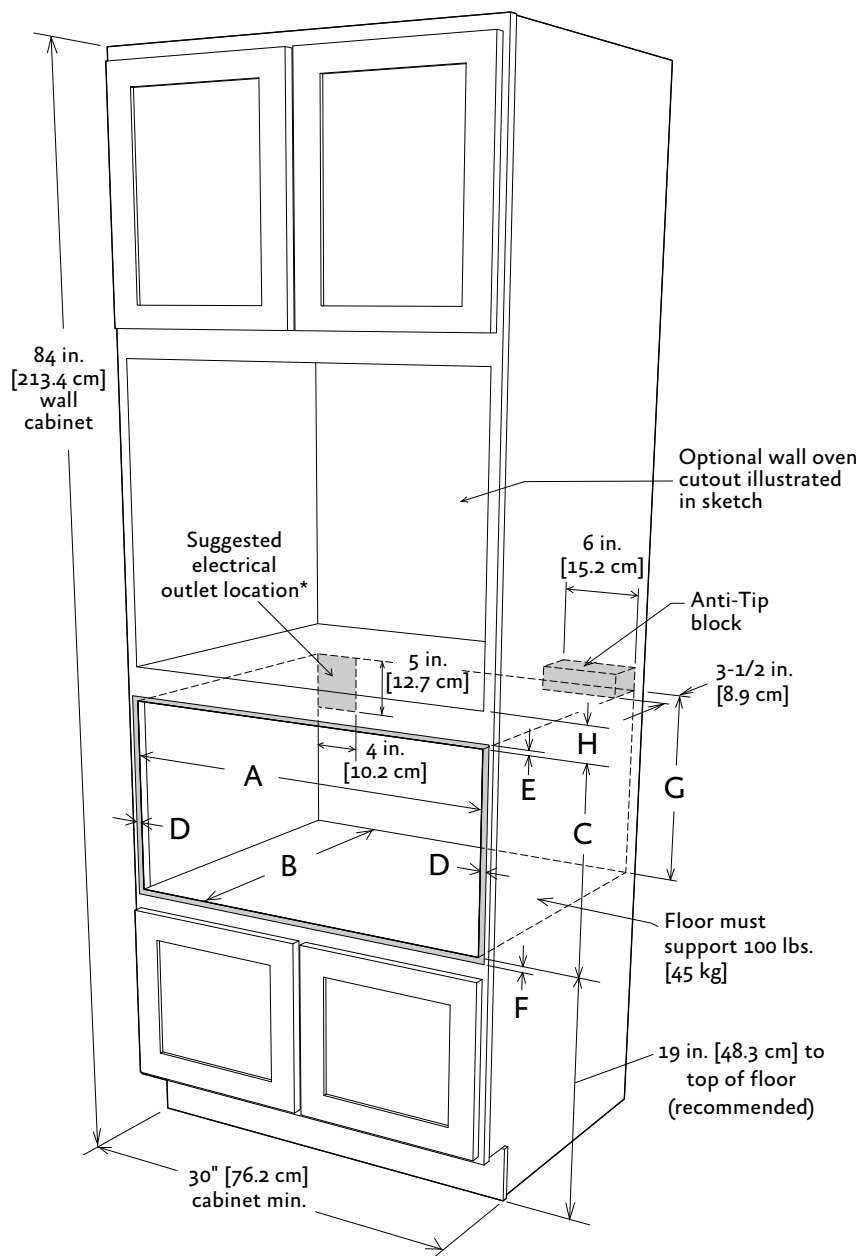


Figure 2. Standard mounting under oven

KEY	DESCRIPTION	DIMENSION
A	Cutout width	28-7/16 in. [72.2 cm]
B	Cutout depth	23-1/2 in. [59.7 cm]
C	Height of opening	14-13/16 in. [37.6 cm]
D	Sides overlap	3/4 in. [1.9 cm]
E	Top edge overlap	3/16 in. [0.5 cm]
F	Bottom edge overlap	7/16 in. [1.1 cm]
G	Bottom of opening to bottom of anti-tip block	14-13/16 in. [37.6 cm]
H	Minimum distance between both openings	2 in. [5 cm]

CLEARANCES AND DIMENSIONS (CONT.)

EN

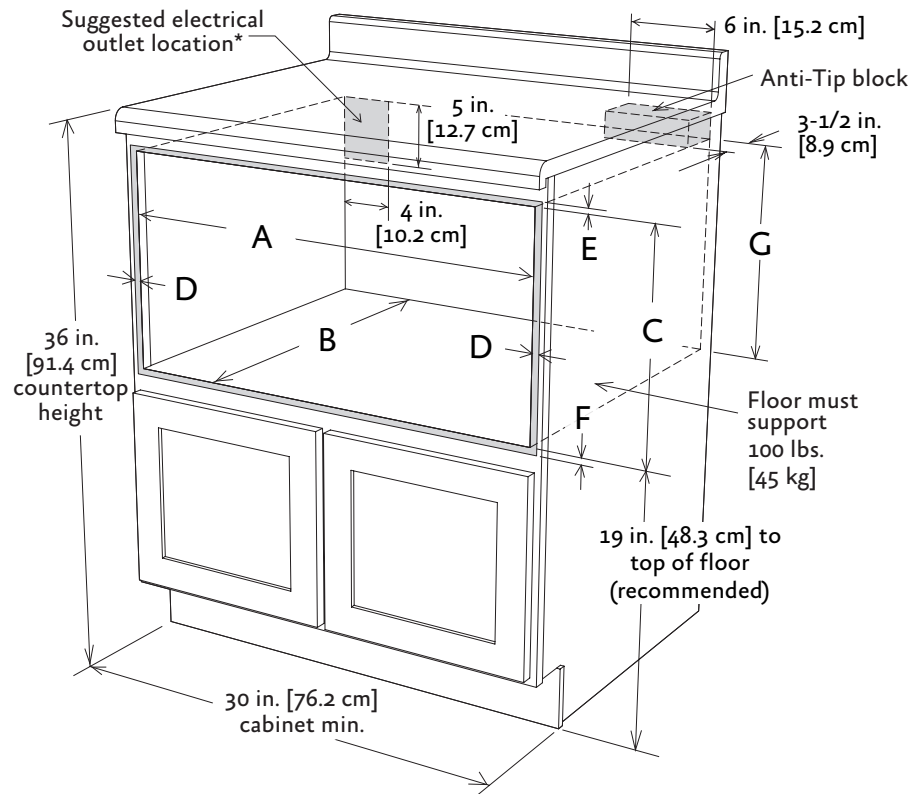


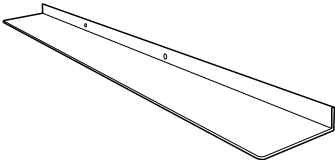
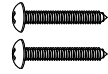
Figure 3. Standard mounting under counter

FLUSH INSTALLATION

If installing flush to the cabinet, the provided deflector vent must be installed. Observe the following cabinet dimensions.

FLUSH MOUNT DEFLECTOR VENT PARTS

Parts included:

Qty.	Description
1	Flush Mount Deflector Vent 
2	Mounting screws 

CLEARANCES AND DIMENSIONS (CONT.)

EN

CABINET DIMENSIONS

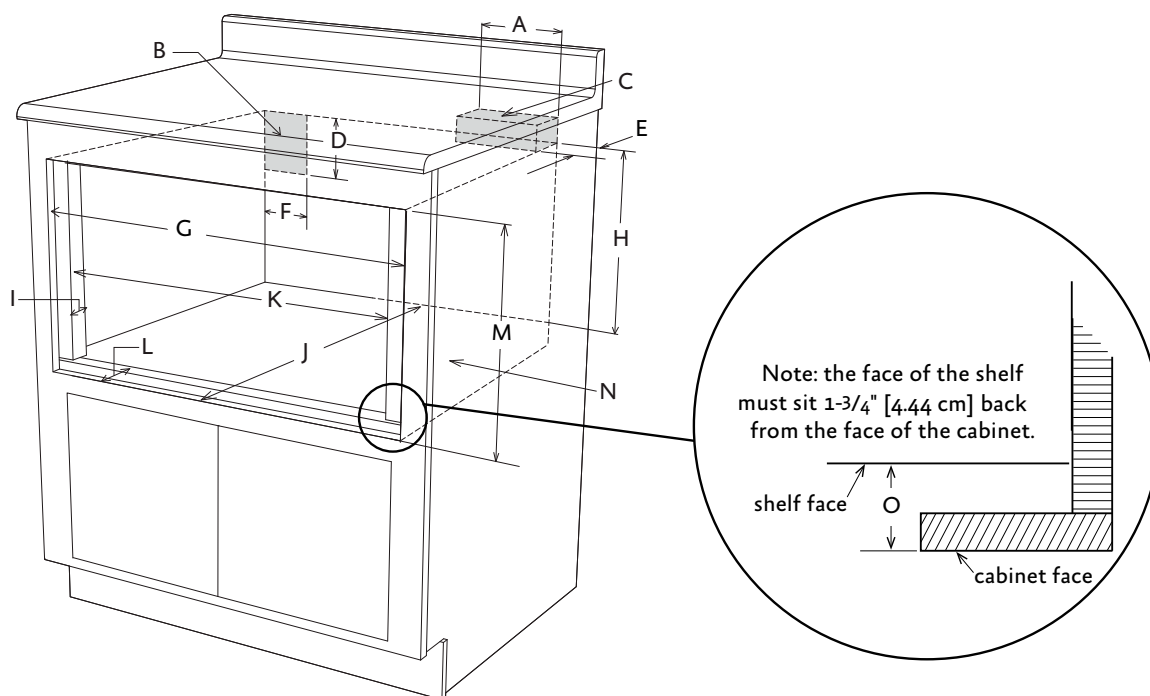


Figure 4. Mounting flush under counter

Key	Dimension
A	6" [15.24 cm]
B	Suggested electrical outlet location
C	Anti-Tip block
D	5" [12.7 cm]
E	3-1/2" [8.9 cm]
F	4" [10.2 cm]
G	30-5/16" [77 cm] minimum 30-5/8" [77.8 cm] maximum
H	14-13/16" [37.62 cm] to bottom of Anti-Tip block
I	1-1/16" [2.7 cm]
J	23-1/2" [59.7 cm] minimum depth
K	28-7/16" [72.2 cm]
L	1-3/4" [4.44 cm]
M	16-7/8" [42.9 cm] opening
N	Floor must support 100 lb [45.4 kg]
O	1-3/4" [4.44 cm]

CLEARANCES AND DIMENSIONS (CONT.)

EN

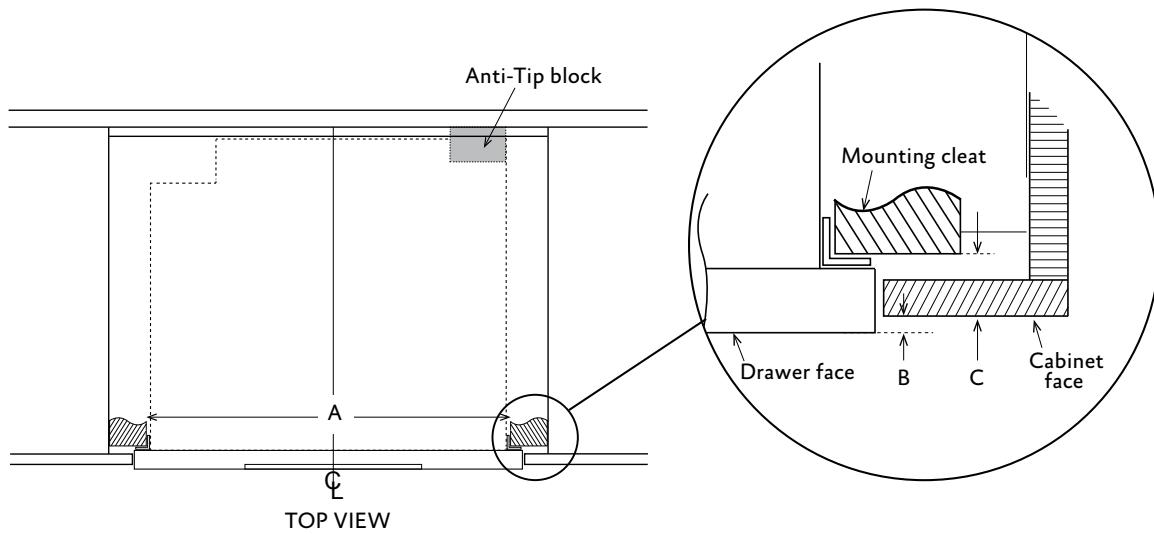


Figure 5. Flush mount, top view

Note: the mounting surface of the finished cleat must sit 1-1/16" [2.7 cm] back from the face of the cabinet (pushing the face of the drawer out 1/4" [0.64 cm].)

Key	Dimension
A.	28-1/2" [72.4 cm] mounting cleat opening width
B.	1/4" [0.64 cm]
C.	1-1/16" [2.7 cm]

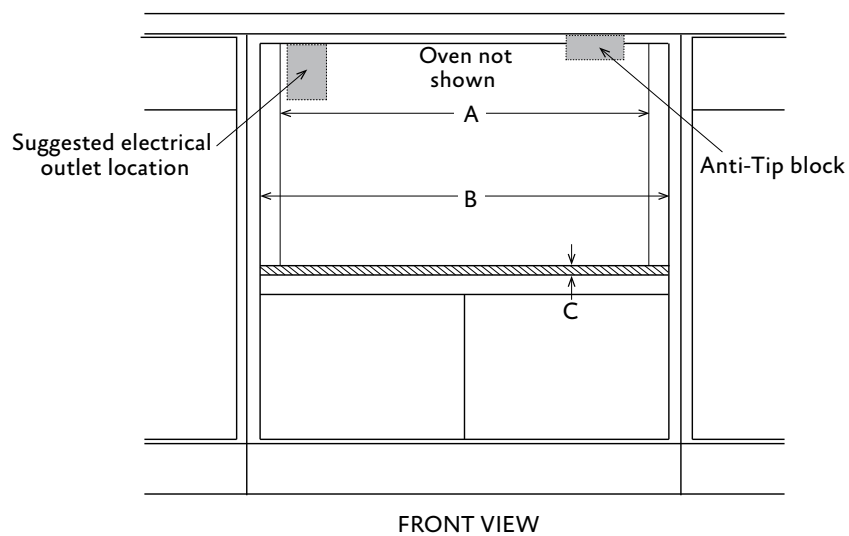


Figure 6. Flush mount, front view

Key	Dimension
A.	28-7/16" [72.2 cm] mounting cleat opening width
B.	30-5/16" [77 cm] minimum, 30-5/8" [77.8 cm] maximum flush opening width
C.	3/4" [1.9 cm] shelf

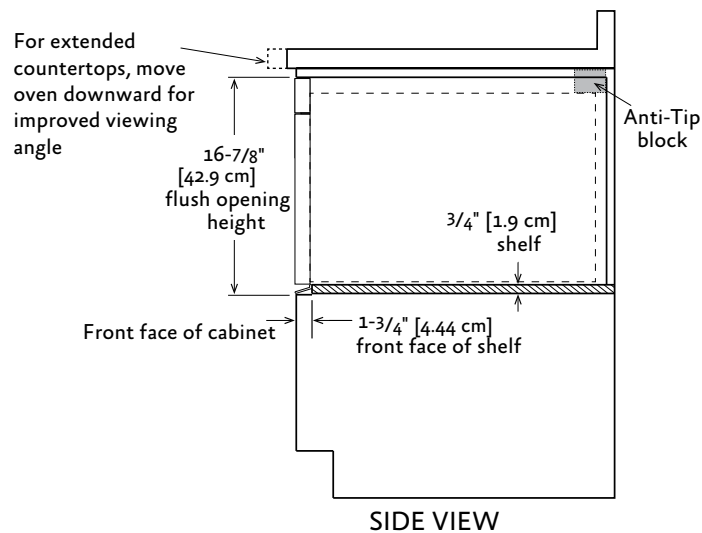


Figure 7. Flush mount, side view

Shelf detail showing the deflector vent during installation.

MOUNTING DEFLECTOR

- 1) Position deflector vent and mark holes.
- 2) Pre drill using a 1/16" [0.16 cm] bit before mounting.

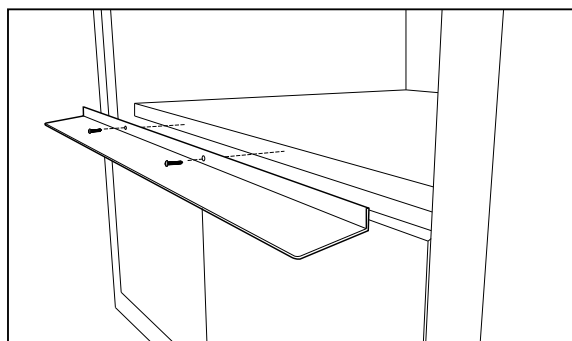


Figure 8. Installing deflector vent

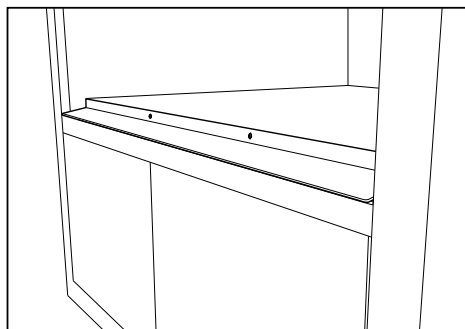


Figure 9. Deflector vent installed

INSTALLATION STEPS

ANTI-TIP BLOCK

To reduce the risk of tipping of the drawer, the Anti-Tip block must be properly installed. It must be located 14-13/16 in. [37.6 cm] above the floor on which the Drawer Microwave will sit. The 6 in. [15.2 cm] Anti-Tip block must be provided by the installer. See the figures for necessary dimensions. The Anti-Tip block prevents serious injury that might result from spilled hot liquids.

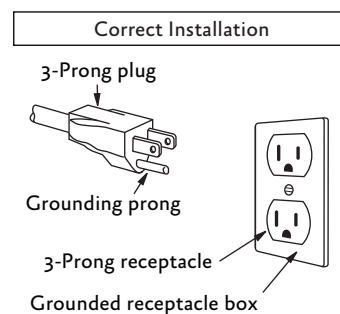
If the Drawer Microwave is ever moved to a different location, the Anti-Tip block must also be moved and installed. When installed to the wall, make sure that the screws completely penetrate the dry wall and are secured in wood or metal so that the block is totally stable. When fastening, be sure that the screws do not penetrate electrical wiring or plumbing.

ELECTRICAL CONNECTION

The appliance requires a 120 volt, 60 Hz, AC only, 15 amp or more protected electrical supply. It is recommended that a separate circuit serving only this appliance be provided.

The appliance is equipped with a 3-prong grounding plug. It must be plugged into a wall receptacle that is properly installed and grounded. Should you only have a 2-prong outlet, have a qualified electrician install a correct wall receptacle. Do not cut or remove the grounding prong from this plug.

Note: If you have any questions about the grounding or electrical instructions, consult a qualified electrician or service person.



GROUNDING INSTRUCTIONS

This appliance must be grounded. The Drawer Microwave is equipped with a cord having a grounding wire with a grounding plug. It must be plugged into a wall receptacle that is properly installed and grounded in accordance with the National Electrical Code and local codes and ordinances. In the event of an electrical short circuit, grounding reduces risk of electric shock by providing an escape wire for the electric current.

▲WARNING

Improper use of the grounding plug can result in a risk of electric shock. **DO NOT USE AN EXTENSION CORD. IF THE POWER SUPPLY CORD IS TOO SHORT, HAVE A QUALIFIED ELECTRICIAN OR SERVICEMAN INSTALL AN OUTLET NEAR THE APPLIANCE.**

FLUSH MOUNTING

For flush mount installation, mount and secure the deflector vent. See instructions on previous pages.

PLACING DRAWER

1. Place the drawer adjacent to the wall or cabinet opening. Plug the power supply cord into the electrical outlet.
2. Carefully guide the drawer into the prepared opening. Avoid pinching the cord between the oven and the wall.
3. Slide the drawer all the way until the mounting flange is flush with the face of the cabinet. See Figure 10.
4. Open the drawer. Using the 4 holes on the drawer as a template, pre-drill the cabinet using a 1/16" [1.45 mm] bit.
5. Secure the drawer with the 4 screws supplied.

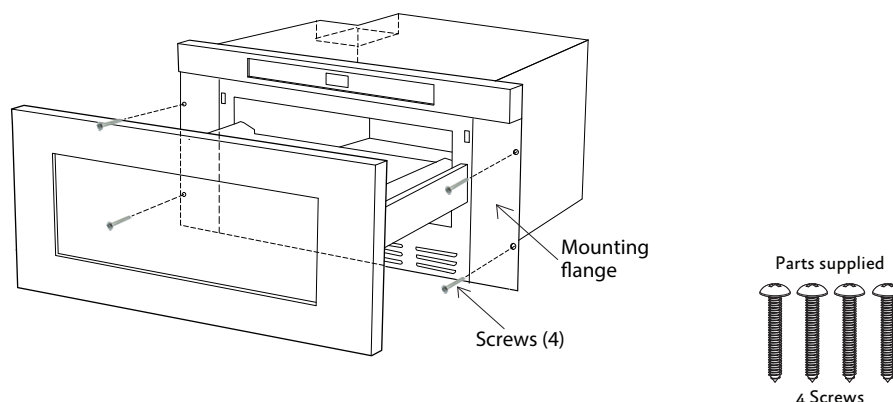


Figure 10. Screws and mounting flange

TESTING OPERATION

1. Turn power ON to the Drawer Microwave.
2. Set the clock according to the instructions in the Use and Care Manual.
3. Place a microwave-safe container with a cup of water in the unit and close the drawer.
4. Touch START/ADD MINUTE.
5. The microwave's fan should run and its light should come on.
6. When it shuts off, the water should be warm or hot.

Refer to the Use and Care Manual for full operating procedures.

CLEANING AND MAINTENANCE

Refer to the U&C Manual for cleaning instructions.

BEFORE YOU CALL FOR SERVICE

Read the BEFORE YOU CALL and operating instruction sections in your Use and Care Manual. It may save you time and expense. The list includes common occurrences that are not the result of defective workmanship or materials in this microwave product.

Refer to the warranty in your Use and Care Manual for Hestan's service number and address. Please call or write if you have inquiries about your microwave product and/or need to order parts.

AVERTISSEMENT

LE NON-RESPECT À LA LETTRE DE CES INSTRUCTIONS PEUT CAUSER UN INCENDIE OU UNE EXPLOSION, QUI POURRAIT ENTRAÎNER DES DOMMAGES MATÉRIELS, DES BLESSURES OU LA MORT.

Ne pas entreposer ou utiliser d'essence ou tout autre liquide ou gaz inflammable à proximité de cet appareil ou de tout autre appareil.

L'installation et le service doivent être effectués par un installateur qualifié ou une agence de service.

NE PAS RÉPARER, REMPLACER OU ENLEVER TOUTE PIÈCE DE L'APPAREIL, SAUF SI SPÉCIFIQUEMENT RECOMMANDÉ DANS LES MANUEL. UNE INSTALLATION, UN ENTRETIEN OU UNE MAINTENANCE INCORRECTS PEUT ENTRAÎNER DES BLESSURES OU DES DOMMAGES MATÉRIELS. CONSULTEZ CE MANUEL DE L'ORIENTATION. TOUS LES AUTRES SERVICES DEVRAIENT ÊTRE EFFECTUÉS PAR UN TECHNICIEN DE SERVICE HESTAN AUTORISÉ.

LISEZ ATTENTIVEMENT ET COMPLÈTEMENT CES INSTRUCTIONS AVANT D'INSTALLER OU D'UTILISER VOTRE APPAREIL AFIN DE RÉDUIRE LES RISQUES D'INCENDIE, DE BRÛLURE OU D'AUTRES BLESSURES. CONSERVER CE MANUEL POUR RÉFÉRENCE FUTURE.

DÉFINITIONS DE SÉCURITÉ

AVERTISSEMENT

CECI INDIQUE QUE L'INOBSERVATION DE CET AVERTISSEMENT PEUT ENTRAÎNER DES BLESSURES GRAVES VOIRE MORTELLES.

PRÉCAUTION

CECI INDIQUE QUE L'INOBSERVATION DE CET AVERTISSEMENT PEUT ENTRAÎNER DES BLESSURES MINEURES OU MODÉRÉES.

AVIS

CECI INDIQUE QUE L'INOBSERVATION DE CET AVERTISSEMENT PEUT ENTRAÎNER DES DOMMAGES DE L'APPAREIL OU DES DÉGÂTS MATÉRIELS.

INSTALLATEUR: LAISSER CE MANUEL AVEC LE PROPRIÉTAIRE DE L'APPAREIL.

PROPRIÉTAIRE: CONSERVEZ CE MANUEL POUR RÉFÉRENCE FUTURE.

L'INSTALLATION ET L'ENTRETIEN DOIVENT ÊTRE EFFECTUÉS PAR UN INSTALLATEUR QUALIFIÉ.

TABLES DES MATIERES

1	PRÉCAUTIONS DE SÉCURITÉ - AVANT DE COMMENCER
2	NUMÉRO DE MODÈLE
2	PLAQUE SIGNALÉTIQUE
2	RESPECT DE LA RÉGLEMENTATION ET DES CODES EN VIGUEUR
2	NOTES IMPORTANTES
3	DÉGAGEMENTS ET DIMENSIONS
10	ÉTAPES D'INSTALLATION

PRÉCAUTIONS DE SÉCURITÉ - AVANT DE COMMENCER

S'il est bien entretenu, votre Tiroir à Micro-ondes Hestan procurera un service sûr et fiable pendant de nombreuses années. Lors de l'utilisation de ce micro-ondes, les pratiques de sécurité de base doivent être suivies comme décrit dans pages.

IMPORTANT: Conservez ces instructions pour l'utilisation locale des services publics.

INSTALLATEUR: Veuillez laisser ces instructions d'installation avec le propriétaire.

PROPRIÉTAIRE: Veuillez conserver ces instructions d'installation pour référence future.

⚠️ AVERTISSEMENT

RISQUE DE CHOC ÉLECTRIQUE

Débranchez l'alimentation avant d'installer ou de réparer l'appareil. Sinon, vous risquez un choc électrique ou la mort. Il est de la responsabilité de l'utilisateur de faire brancher l'appareil par un électricien agréé, conformément à tous les codes et normes en vigueur, y compris en ce qui concerne la construction en cas d'incendie. Voir "CONNEXION ÉLECTRIQUE" pour plus de détails.



ALIMENTATION ÉLECTRIQUE ET MISE À LA TERRE

- Cet appareil doit être mis à la terre. La mise à la terre réduit le risque de choc électrique en cas de court-circuit. Voir "ÉTAPES D'INSTALLATION" à la page 10 pour des instructions.
- Cet appareil doit être connecté à 120 VAC monophasé, 60 Hz, avec une intensité nominale telle que présentée dans la liste des numéros de modèle en page 2.
- PROPRIÉTAIRE: Demandez à l'installateur de vous montrer où se trouve le disjoncteur électrique pour savoir comment couper l'alimentation de cet appareil.

PRÉCAUTIONS GÉNÉRALES DE SÉCURITÉ

Bien entretenu, votre nouveau Tiroir à Micro-ondes a été conçu pour être un appareil fiable et sûr. Lisez attentivement toutes les instructions avant de l'utiliser. Lorsque vous utilisez des appareils de cuisine, vous devez respecter les règles de sécurité élémentaires.

⚠️ AVERTISSEMENT

POUR RÉDUIRE LES RISQUES D'INCENDIE, D'ÉLECTROCUTION OU DE BLESSURES CORPORELLES, OBSERVEZ CE QUI SUIT:

- a) Utilisez ce micro-ondes uniquement comme prévu par le fabricant. Si vous avez des questions, contactez le fabricant.
- b) Avant de réparer ou de nettoyer l'unité, débranchez le four à micro-ondes ou mettez l'appareil hors tension et verrouillez les moyens de déconnexion afin d'empêcher toute mise sous tension accidentelle. Si le dispositif ne peut pas être débranché et que les moyens de déconnexion de service ne peuvent pas être verrouillés, attachez de manière sécurisée un périphérique d'avertissement important, tel qu'une étiquette, au panneau de service.

NUMÉRO DE MODÈLE

NO. MODÈLE	DESCRIPTION	DISJONCTEUR REQUIS
KMWR30	Tiroir à Micro-ondes de 30 po	15 Ampères

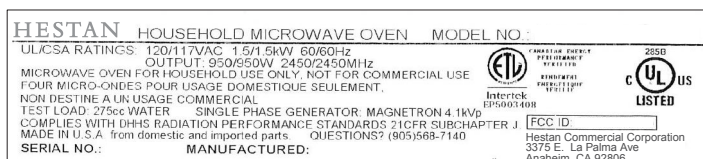
Toutes les unités 115 VAC 60 Hz

FR

PLAQUE SIGNALÉTIQUE

La plaque signalétique comprend le modèle et le numéro de série. Ouvrez complètement le Tiroir à Micro-ondes. L'étiquette se situe au-delà de la paroi arrière du tiroir et est dirigée vers le haut à partir de la surface inférieure.

Si une réparation est nécessaire, contactez le service clientèle de Hestan en indiquant les informations de modèle et de numéro de série indiquées sur l'étiquette.



PLAQUE SIGNALÉTIQUE TYPIQUE

RESPECT DE LA RÉGLEMENTATION ET DES CODES EN VIGUEUR

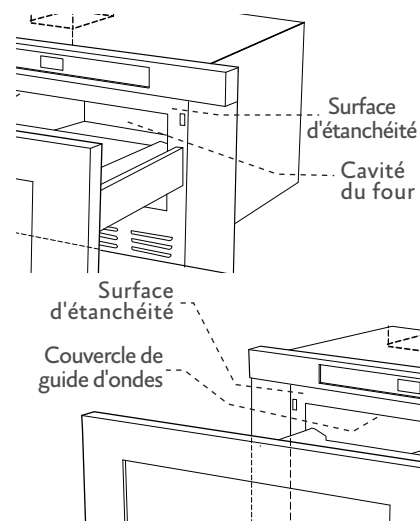
L'installation de cet appareil de cuisson doit être conforme aux codes locaux. En l'absence de codes locaux, cet appareil doit être installé conformément au code national de l'électricité et aux codes locaux.

Cet appareil doit être mis à la terre conformément aux codes locaux ou en l'absence de codes locaux avec le code électrique national ANSI / NFPA 70 ou le code électrique canadien CSA C22.1.

NOTES IMPORTANTES

DÉBALLER VOTRE TIROIR À MICRO-ONDES

- Retirez tous les matériaux d'emballage de l'intérieur du Tiroir à Micro-ondes. **NE RETIREZ PAS LE COUVERCLE DU GUIDE D'ONDES**, situé sur le dessus du Tiroir à Micro-ondes.
- Retirez l'étiquette de la fonction, s'il en existe un. Vérifiez que le tiroir ne présente aucun dommage, tel qu'un tiroir mal aligné ou plié, des joints d'étanchéité du tiroir et des surfaces d'étanchéité endommagés, des guides du tiroir pour micro-ondes cassés ou desserrés et des bosselures à l'intérieur de la cavité ou à l'avant du tiroir. En cas de dommage, n'utilisez pas le Tiroir à Micro-ondes et contactez votre revendeur ou un réparateur agréé Hestan.



REMARQUES IMPORTANTES POUR L'INSTALLATEUR

- Lisez tout le manuel d'installation avant d'installer le Tiroir à Micro-ondes.
- Retirez tout le matériel d'emballage avant de brancher l'alimentation électrique.
- Respectez tous les codes et ordonnances en vigueur.

ASSUREZ-VOUS DE LAISSER CES INSTRUCTIONS AU CONSOMMATEUR.

DÉGAGEMENTS ET DIMENSIONS

NOTES IMPORTANTES AU CONSOMMATEUR

Conservez ce manuel avec votre Manuel d'Utilisation et d'Entretien pour référence future.

- Comme lorsque vous utilisez un four à micro-ondes générant de la chaleur, vous devez respecter certaines précautions de sécurité. Celles-ci sont énumérées dans le manuel d'utilisation et d'entretien. Lisez tout et suivez attentivement.
- Assurez-vous que votre Tiroir à Micro-ondes est correctement installé et mis à la terre conformément aux codes locaux par un installateur qualifié ou un technicien de service.

CONSIGNES DE SÉCURITÉ IMPORTANTES

⚠ AVERTISSEMENT Si les informations de ce manuel ne sont pas suivies à la lettre, un incendie ou un choc électrique pourrait en résulter, pouvant causer des dommages matériels, des blessures ou la mort.

⚠ AVERTISSEMENT Pour réduire le risque de basculement, le Tiroir à Micro-ondes doit être sécurisé par un bloc anti-basculement correctement installé.

⚠ AVERTISSEMENT N'installez pas le tiroir dans un armoire combustible à moins qu'il ne respecte les dégagements et dimensions indiqués aux pages suivantes. Voir les figures 1, 2 et 3.

- Assurez-vous que les revêtements muraux et les armoires autour du Tiroir à Micro-ondes peuvent résister à la chaleur générée par l'appareil.

⚠ AVERTISSEMENT Ne laissez jamais des enfants seuls ou sans surveillance dans la zone d'utilisation d'un Tiroir à Micro-ondes. Ne laissez jamais le tiroir ouvert lorsque le micro-ondes est sans surveillance.

⚠ AVERTISSEMENT Marcher, s'appuyer ou s'asseoir sur le tiroir peut entraîner des blessures graves et peut également endommager le Tiroir à Micro-ondes.

- N'utilisez pas le Tiroir à Micro-ondes comme espace de stockage. Cela crée une situation potentiellement dangereuse.
- Vérifiez que l'heure est bien affichée. Sinon, touchez **Stop/Clear** pour empêcher toute utilisation involontaire.

SUR LES DIMENSIONS

- La figure 1 montre les dimensions de l'unité. Les figures 2 à 3 fournissent un dégagement minimal pour une installation standard (sans rinçage). Les figures 4 à 9 montrent les dégagements et des informations supplémentaires pour une installation encastré (affleurante). L'emplacement suggéré pour les prises électriques est indiqué dans les figures.¹
- La surface de contact doit être solide et de niveau. Portez une attention particulière au sol sur lequel le Tiroir à Micro-ondes s'assoiera. Le plancher de l'ouverture doit être construit en contreplaqué suffisamment solide pour supporter le poids de l'unité - environ 45 kg [100 lbs.].
- Vérifiez l'emplacement où le Tiroir à Micro-ondes sera installé pour une alimentation électrique appropriée.
- Votre Tiroir à Micro-ondes peut être installé seul ou sous un four encastré au gaz ou électrique. Assurez-vous que le dégagement du sol entre le four mural et le Tiroir à Micro-ondes est d'au moins 5,1 cm [2 po].
- Toujours vérifier les codes électriques pour les exigences.

⚠ PRÉCAUTION Le Tiroir à Micro-ondes doit être placé suffisamment près de la prise électrique pour que le cordon ne soit pas sous tension.

Voir les figures 1 à 6 pour connaître les dégagements et les dimensions nécessaires lors de la planification de l'emplacement du tiroir.

¹ Une prise de courant dans une armoire adjacente peut être utilisée, à condition que le cordon électrique fourni puisse être atteint sans tirer. Le trou d'accès du cordon d'alimentation dans l'armoire doit avoir un diamètre minimum de 1-1/2 po [3,8 cm] et ébavuré tous les bords tranchants.

DÉGAGEMENTS ET DIMENSIONS (SUITE)

DIMENSIONS DU TIROIR À MICRO-ONDES

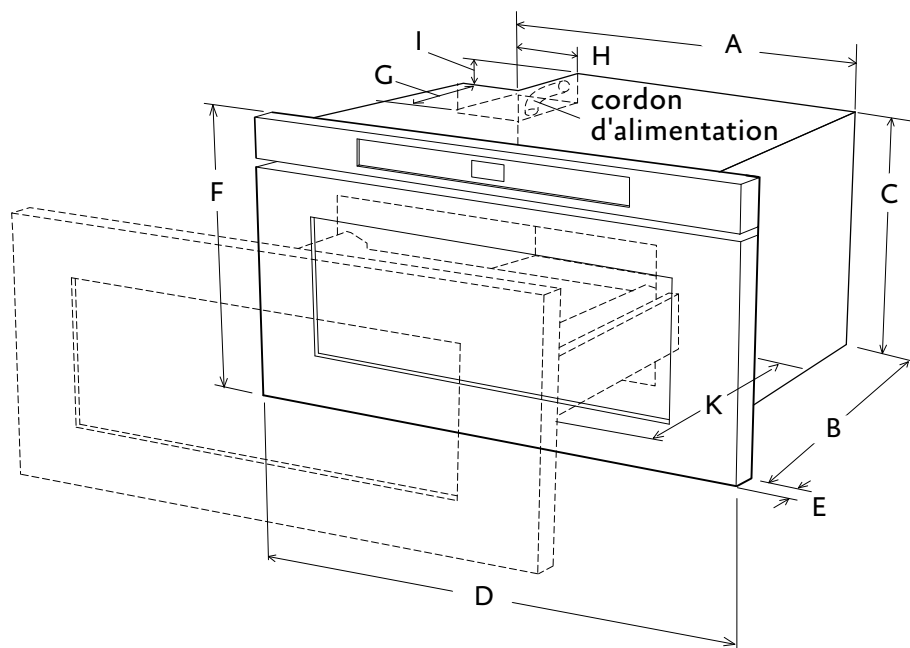


Figure 1. Dimensions de micro-ondes

ARTICLE	DESCRIPTION	DIMENSION
A	Largeur unitaire	21-5/8 po [54,9 cm]
B	Profondeur avec porte	21-7/8 po [55,6 cm]
C	Hauteur du corps	14-19/32 po [37,1 cm]
D	Largeur de la porte	30 po [76,2 cm]
E	Porte épaisseur	1-11/16 po [4,3 cm]
F	Hauteur de la porte	15 po [38,1 cm]
G	Profondeur d'encastrement du cordon	4 po [10,2 cm]
H	Largeur d'encoche	4-11/16 po [11,9 cm]
I	Hauteur du cordon	1-3/4 po [4,5 cm]
K	Ouverture automatique du tiroir	15 po [38,1 cm]

DÉGAGEMENTS ET DIMENSIONS (SUITE)

DIMENSIONS DE L'ARMOIRE, INSTALLATION STANDARD

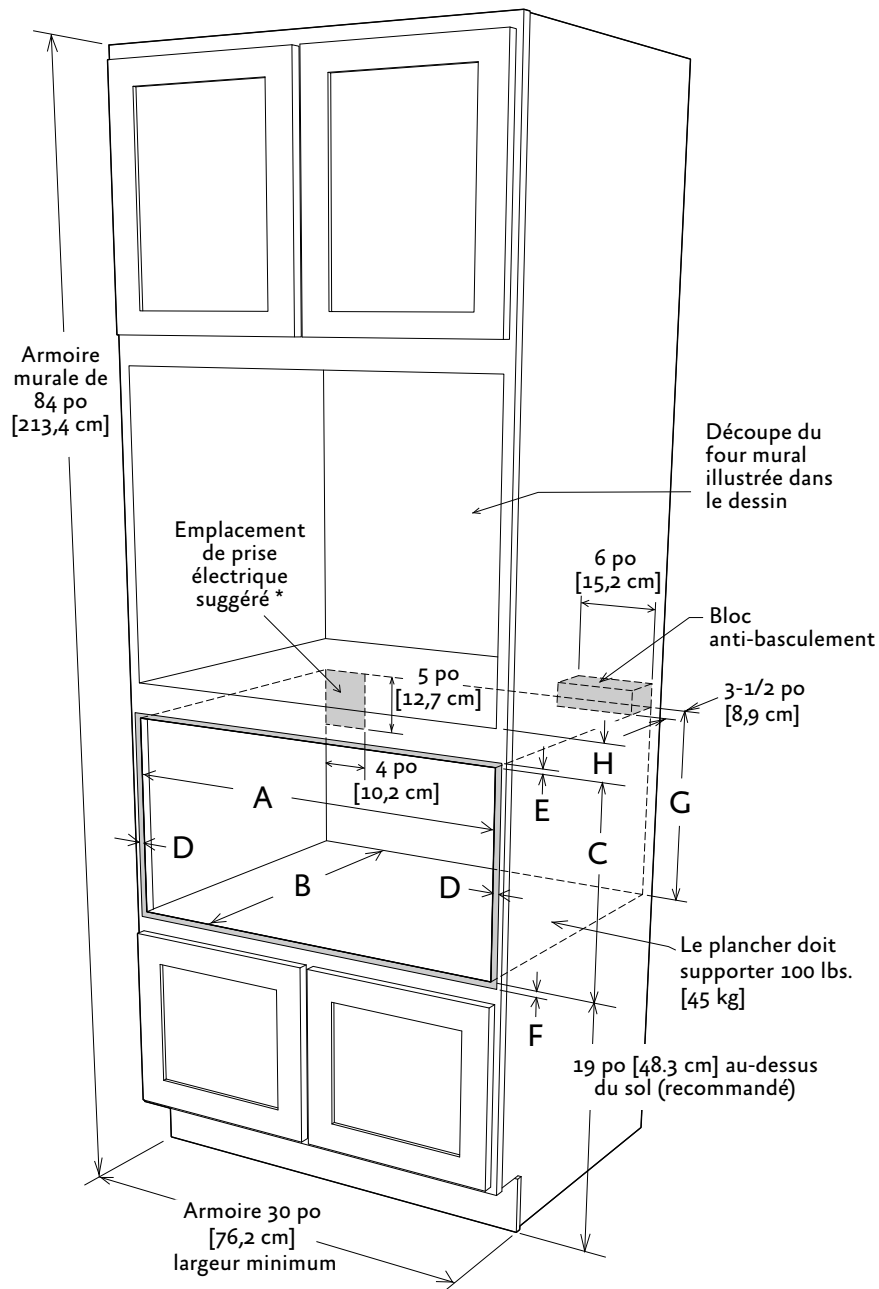


Figure 2. Dimensions de l'armoire

ARTICLE	DESCRIPTION	DIMENSION
A	Largeur de découpe	28-7/16 po [72,2cm]
B	Profondeur de découpe	23-1/2 po [59,7 cm]
C	Hauteur d'ouverture	14-13/16 po [37,6 cm]
D	Chevauchement des côtés	3/4 po [1,9 cm]
E	Chevauchement du bord supérieur	3/16 po [0,5 cm]
F	Chevauchement du bord inférieur	7/16 po [1,1 cm]
G	Bas de l'ouverture au bas du bloc anti-basculement	14-13/16 po [37,6 cm]
H	Distance minimale entre les deux ouvertures	2 po [5 cm]

DÉGAGEMENTS ET DIMENSIONS (SUITE)

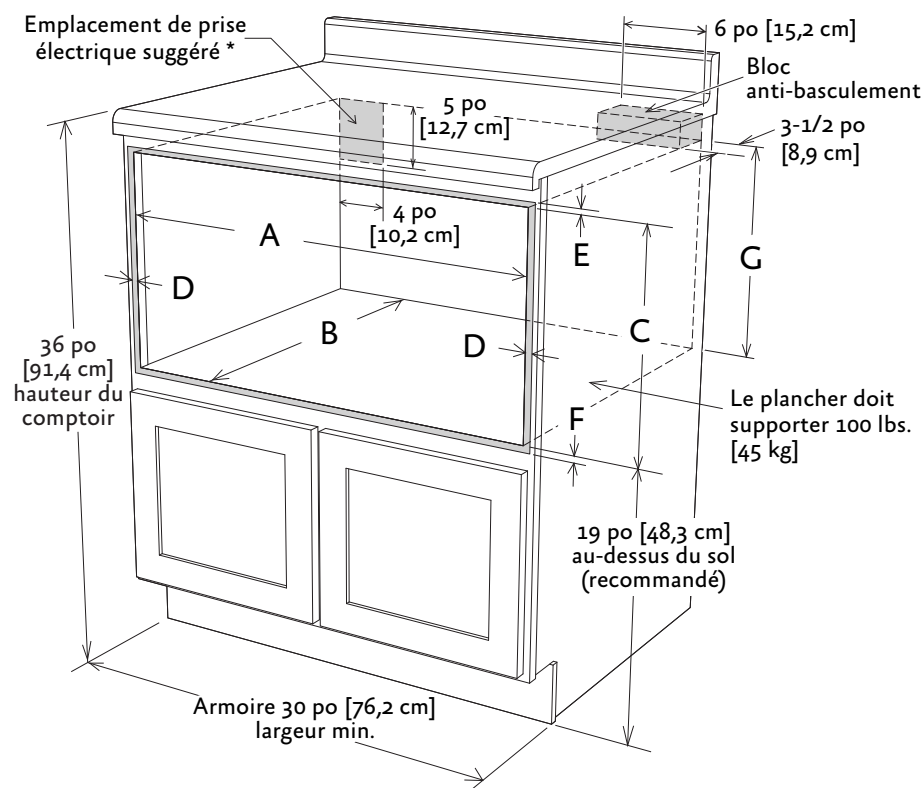


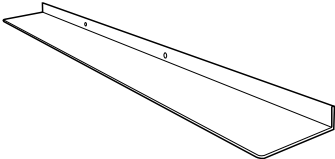

Figure 3. Montage standard sous le comptoir

MONTAGE ENCASTRÉE

Si vous installez au ras du meuble, l'évent de déflecteur fourni doit être installé. Observez les dimensions suivantes de l'armoire.

PARTIES D'ÉVACUATION À DÉFLECTEUR DE MONTAGE ENCASTRÉ

Pièces incluses

Qty.	Description
1	Déflecteur encastré 
2	Vis de montage 

DÉGAGEMENTS ET DIMENSIONS (SUITE)

DIMENSIONS DES ARMOIRES

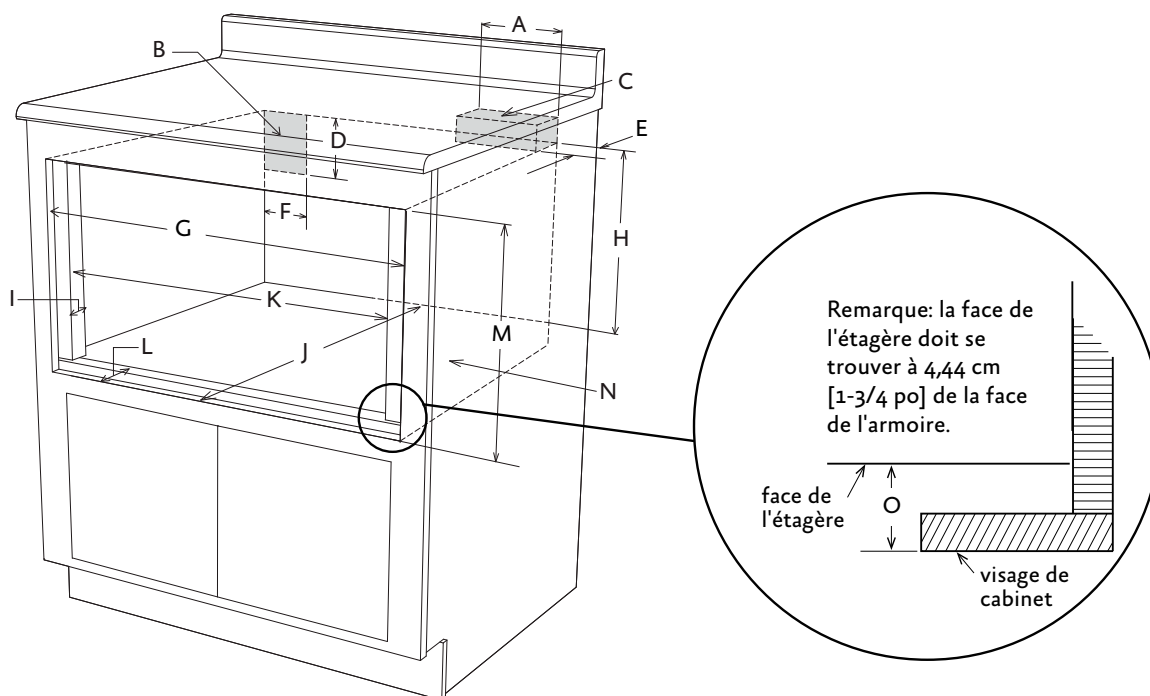


Figure 4. Montage encastré sous le comptoir

Art.	Dimension
A	6 po [15,24 cm]
B	Emplacement de prise électrique suggéré
C	Bloc anti-basculement
D	5 po [12,7 cm]
E	3-1/2 po [8,9 cm]
F	4 po [10,2 cm]
G	30-5/16 po [77 cm] minimum 30-5/8 po [77,8 cm] maximum
H	14-13/16 po [37,62 cm] au bas du bloc anti-basculement
I	1-1/16 po [2,7 cm]
J	Profondeur minimale de 23-1/2 po [59,7 cm]
K	28-7/16 po [72,2 cm]
L	1-3/4 po [4,44 cm]
M	Ouverture de 16-7/8 po [42,9 cm]
N	Le plancher doit supporter 45,4 kg [100 lb]
O	1-3/4 po [4,44 cm]

DÉGAGEMENTS ET DIMENSIONS (SUITE)

FR

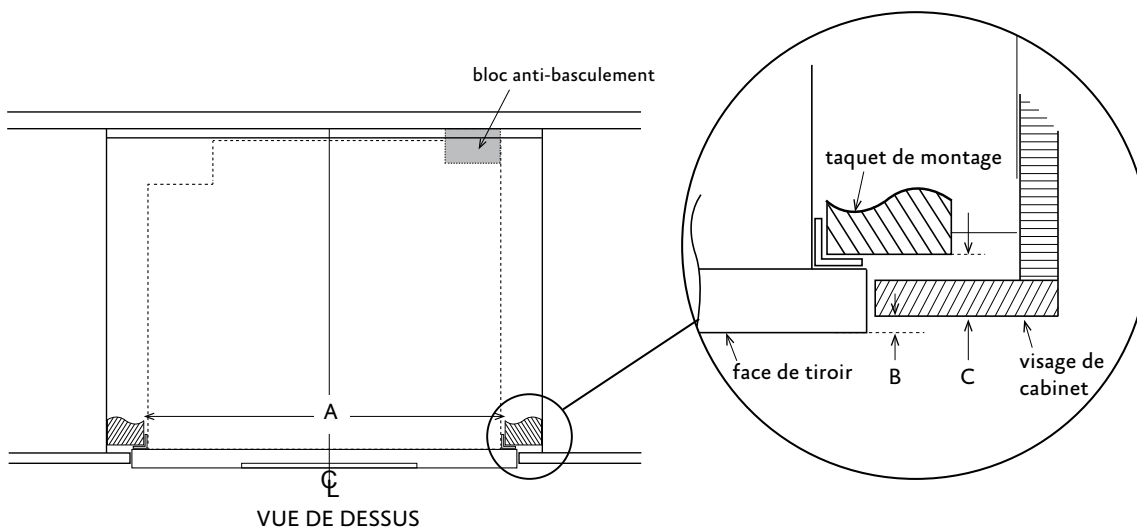


Figure 5. Montage encastré, vue de dessus

Remarque: la surface de montage du taquet fini doit reposer à 1-1/16 po [2,7 cm] de la face de l'armoire (en poussant la face du tiroir vers l'extérieur de 1/4 po [0,64 cm].)

Art.	Dimension
A	28-1/2 po [72,4 cm] largeur d'ouverture du taquet de montage
B	1/4 po [0,64 cm]
C	1-1/16 po [2,7 cm]

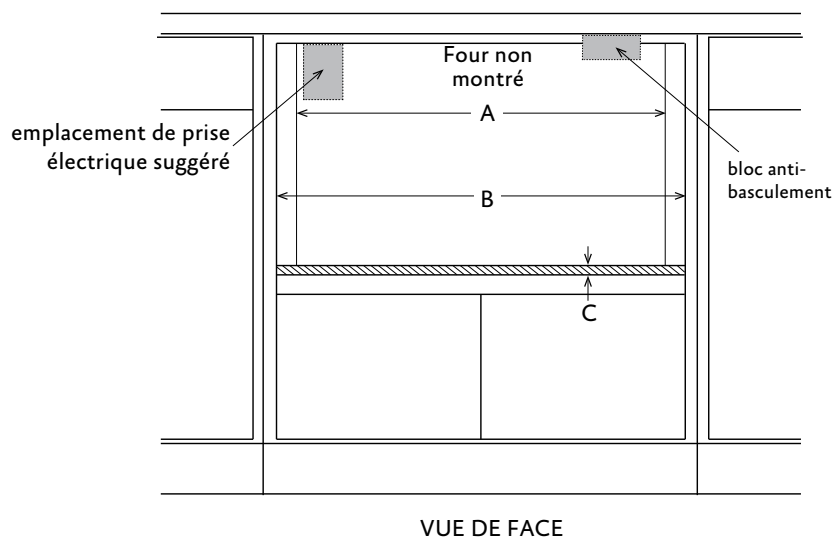


Figure 6. Montage encastré, vue de face

Art.	Dimension
A	28-7/16 po [72,2 cm] largeur d'ouverture du taquet de montage
B	30-5/16 po [77 cm] minimum, 30-5/8 po [77,8 cm] maximum largeur d'ouverture affleurante
C	3/4 po [1,9 cm] étagère

DÉGAGEMENTS ET DIMENSIONS (SUITE)

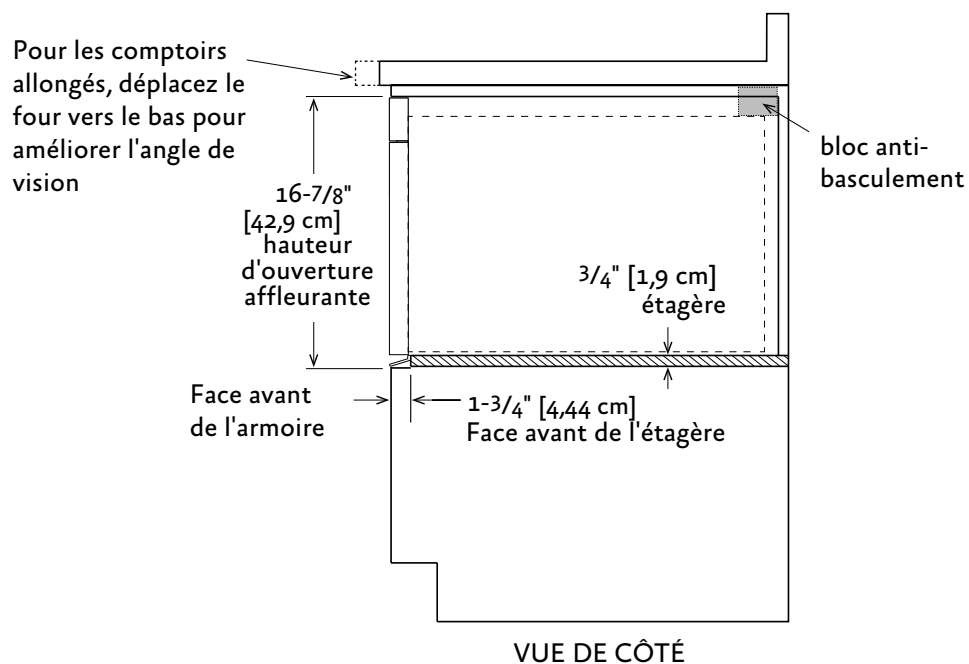


Figure 7. Montage encastré, vue de côté
Détail de l'étagère montrant l'évent du déflecteur lors de l'installation.

MONTAGE DU DÉFLECTEUR

1. Positionner le déflecteur et marquer les trous.
2. Pré percer avec un foret de 1/16 po [0,16 cm] avant le montage.

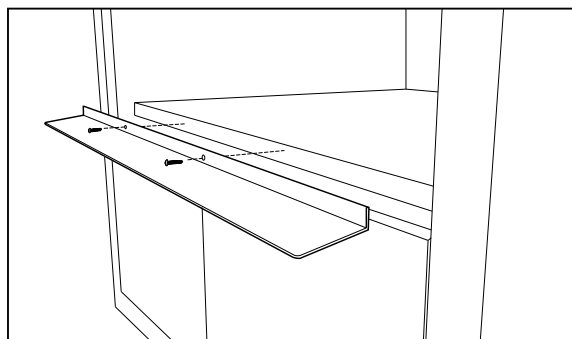


Figure 8. Installation d'un évent déflecteur

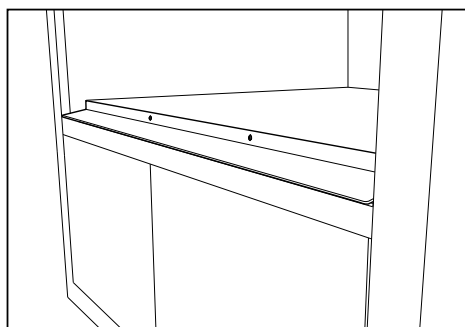


Figure 9. Déflecteur installé

ÉTAPES D'INSTALLATION

BLOC ANTI-BASCULEMENT

Pour réduire le risque de basculement du tiroir, le bloc anti-basculement doit être correctement installé. Il doit être situé à 37,6 cm [14-13/16 po] du sol sur lequel le Tiroir à Micro-ondes sera assis. Le bloc anti-basculement de 15,2 cm [6 po] doit être fourni par l'installateur. Voir les figures pour les dimensions nécessaires. Le bloc anti-renversement empêche les blessures graves pouvant résulter des liquides chauds renversés.

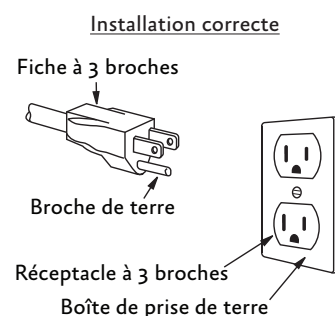
Si le Tiroir à Micro-ondes est jamais déplacé vers un emplacement différent, le bloc anti-renversement doit également être déplacé et installé. Une fois installé contre le mur, assurez-vous que les vis pénètrent complètement dans le mur sec et sont solidement fixées au bois ou au métal afin que le bloc soit totalement stable. Lors de la fixation, assurez-vous que les vis ne pénètrent pas dans le câblage électrique ou la plomberie.

CONNEXION ÉLECTRIQUE

L'appareil nécessite un courant alternatif de 120 volts, 60 Hz, 15 ampères. ou une alimentation électrique plus protégée. Il est recommandé de prévoir un circuit séparé desservant uniquement cet appareil.

L'appareil est équipé d'une fiche de mise à la terre à 3 broches. Il doit être branché sur une prise murale correctement installée et mise à la terre. Si vous ne disposez que d'une prise à 2 broches, demandez à un électricien qualifié d'installer une prise murale appropriée.

Remarque: Si vous avez des questions sur la mise à la terre ou les instructions électriques, consultez un électricien qualifié ou un technicien de maintenance.



INSTRUCTIONS DE MISE À LA TERRE

Cet appareil doit être mis à la terre. Le Tiroir à Micro-ondes est équipé d'un cordon avec un fil de terre et une fiche de terre. Il doit être branché sur une prise murale correctement installée et mise à la terre conformément au code national de l'électricité et aux codes et ordonnances locaux. En cas de court-circuit électrique, la mise à la terre réduit le risque de choc électrique en fournissant un fil de fuite pour le courant électrique.

⚠️ AVERTISSEMENT

Une utilisation incorrecte de la prise de terre peut entraîner un risque de choc électrique. **NE PAS UTILISER UNE RALLONGE ÉLECTRIQUE. SI LE CORDON D'ALIMENTATION EST TROP COURT, DEMANDEZ À UN ÉLECTRICIEN QUALIFIÉ OU À UN RÉPARATEUR D'INSTALLER UNE PRISE PRÈS DE L'APPAREIL.**

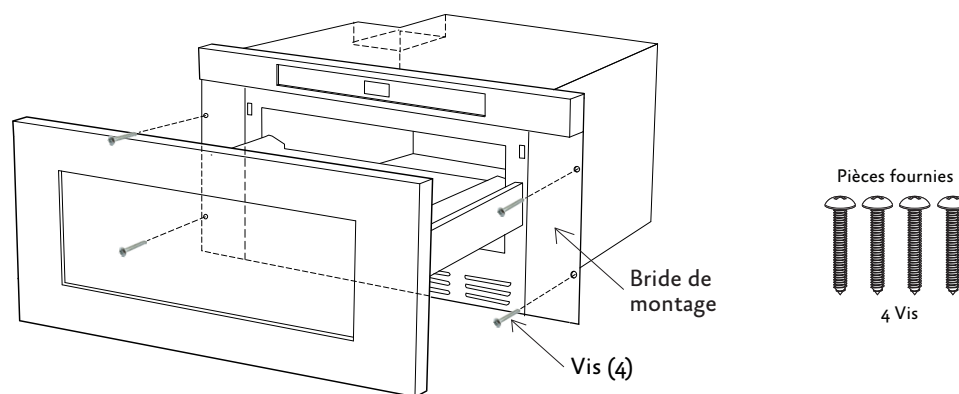
ÉTAPES D'INSTALLATION (SUITE)

MONTAGE ENCASTRÉ

Pour une installation encastrée, montez et fixez l'évent du déflecteur. Voir les instructions sur les pages précédentes.

PLACEMENT DU TIROIR

1. Placez le tiroir à côté du mur ou de l'ouverture du armoire. Branchez le cordon d'alimentation dans la prise électrique.
2. Guidez soigneusement le tiroir dans l'ouverture préparée. Évitez de pincer le cordon entre le four et le mur.
3. Faites coulisser le tiroir à fond jusqu'à ce que la bride de montage affleure la face de l'armoire. Voir la figure 10.
4. Ouvrez le tiroir. En utilisant les 4 trous du tiroir comme gabarit, pré-percez le armoire avec un foret de 1/16 po [1,45 mm].
5. Fixez le tiroir avec les 4 vis fournies.



ÉTAPES D'INSTALLATION (SUITE)

OPÉRATION D'ESSAI

1. Allumer l'appareil.
2. Réglez l'horloge en suivant les instructions du manuel d'utilisation et d'entretien.
3. Placez un récipient allant au micro-ondes avec une tasse d'eau dans l'appareil et fermez le tiroir.
4. Appuyez sur START/ADD MINUTE.
5. Le ventilateur du four à micro-ondes devrait fonctionner et son témoin devrait s'allumer.
6. Quand il ferme, l'eau devrait être tiède ou chaude.

Reportez-vous au manuel d'utilisation pour connaître les procédures d'utilisation complètes.

NETTOYAGE ET ENTRETIEN

Reportez-vous au manuel d'utilisation et d'entretien pour les instructions de nettoyage.

AVANT D'APPELER LE SERVICE

Lisez les sections AVANT D'APPELER et les instructions d'utilisation dans votre Manuel d'Utilisation et d'Entretien. Cela peut vous faire économiser temps et argent. La liste inclut les événements courants qui ne résultent pas d'une fabrication ou de matériaux défectueux dans ce produit à micro-ondes.

Reportez-vous à la garantie du Manuel d'Utilisation et d'Entretien pour connaître le numéro et l'adresse du service Hestan. Veuillez appeler ou écrire si vous avez des questions sur votre produit à micro-ondes et / ou devez commander des pièces de rechange.

CETTE PAGE N'EST PAS UTILISÉE.

**RETAIN THIS MANUAL FOR FUTURE REFERENCE
CONSERVEZ CE MANUEL POUR UNE RÉFÉRENCE FUTURE**



Hestan Commercial Corporation

3375 E. La Palma Ave.

Anaheim, CA 92806

(888) 905-7463