

## 2.1 Cubic Foot Extra Large Capacity Portable Washer

HLPW028BXW



### Stainless Steel Wash Basket

Delivers durability in a basket that doesn't peel, crack, or snag fabrics

### Casters

Mobility offers flexibility when relocating unit for usage or storage

### Lift and Carry Handles on Cabinet

Makes unit relocation easier

### Dual Water Inlet Valve: Cold & Hot

Enables simple installation for hot and cold water inputs

Available

### Unit Specifications

Width	21 21/32"
Depth	22 1/16"
Height	37 5/8"
Weight	86 lbs.
UPC	688057360508

### More Easy-To-Use Features

- Fill and drain hoses included
- Casters
- Pulsator wash system
- 750 RPM maximum spin speed
- Clear hinged lid
- Electronic control (LED display)
- Six wash cycles: heavy duty, whites, perm press, normal, delicate, quick
- Four water levels
- Delay start
- End-of-cycle signal
- Powder detergent dispenser
- Removable lint filters

### Limited Warranty

- 1 Year Warranty (Parts and Labor)
- 2-5 Year Cabinet Warranty
- 2-7 Year Stainless Steel Wash Basket

### Available Finishes



Letter	Overall Dimensions	in.
A	Height	37 5/8"
B	Depth	22 1/16"
C	Width	21 21/32"
D	Height (door open 90°)	48 1/2"

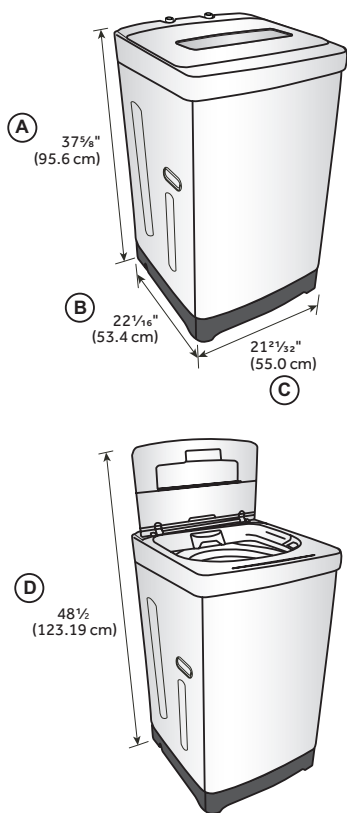
  

Overall Packaging Details	
Packaging	lb./in.
Gross Weight	97 lbs.
Dimensions	<b>W</b> 26" <b>D</b> 25 3/4" <b>H</b> 41 3/4"

Power Requirements	
Electrical Rating	120V, 60Hz

### Product Technical Illustration



### General Appliance Information

Please read all installation details and instructions before use.

### Contact Us

For questions regarding this product please refer to our website at [haieramerica.com](http://haieramerica.com) or call our customer service center at 877-337-3639.

