



SUPERIORE

**USE AND CARE MANUAL FOR RANGE HOOD
MODEL :**

**HD36IAC_NB_MG_RC_CB
HD48IAC_NB_MG_RC_CB**



SUPERIORE

TECNO SPA

STRADA PROVINCIALE 63R 42044

GUALTIERI RE ITALY

For product information, call 1-844-322-2111, or visit the
SUPERIORE Web site at www.superiore.us

Congratulations

Congratulations and welcome to the world of SUPERIORE.

We hope you will enjoy and appreciate the care and attention we have put into every details of your new, state-of-the- art range hood.

Your SUPERIORE PRODUCT is designed to offer years of reliable service. This Use and Care Manual will provide you with the information you need to become familiar with your range hood's care and operation.

Your complete satisfaction is our ultimate goal. If you have any questions or comments about this product, please contact the dealer from whom you purchased it, contact our CUSTOMER CARE at 1-844-322-2111 or visit our SUPERIORE YOUTUBE CHANNEL.

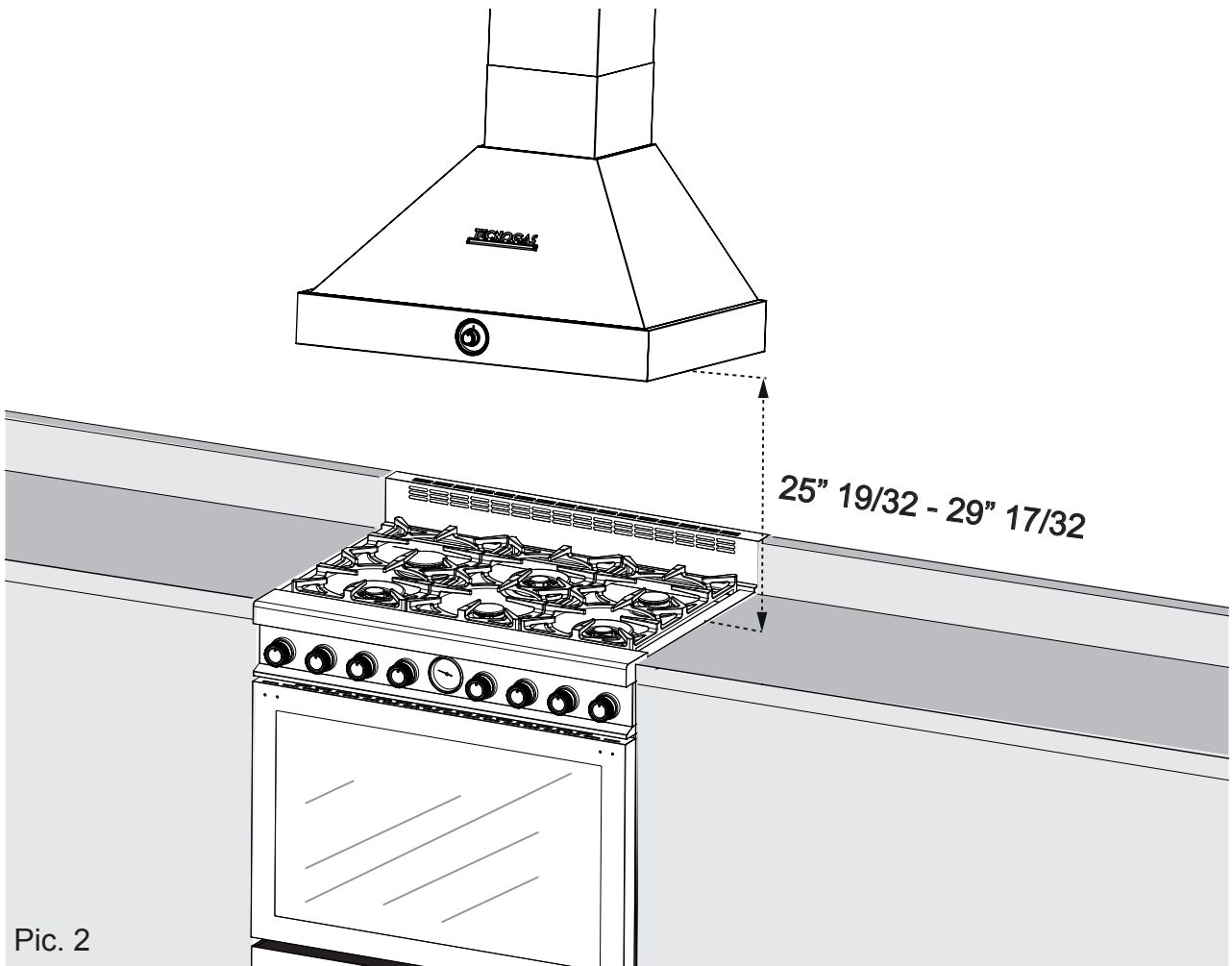
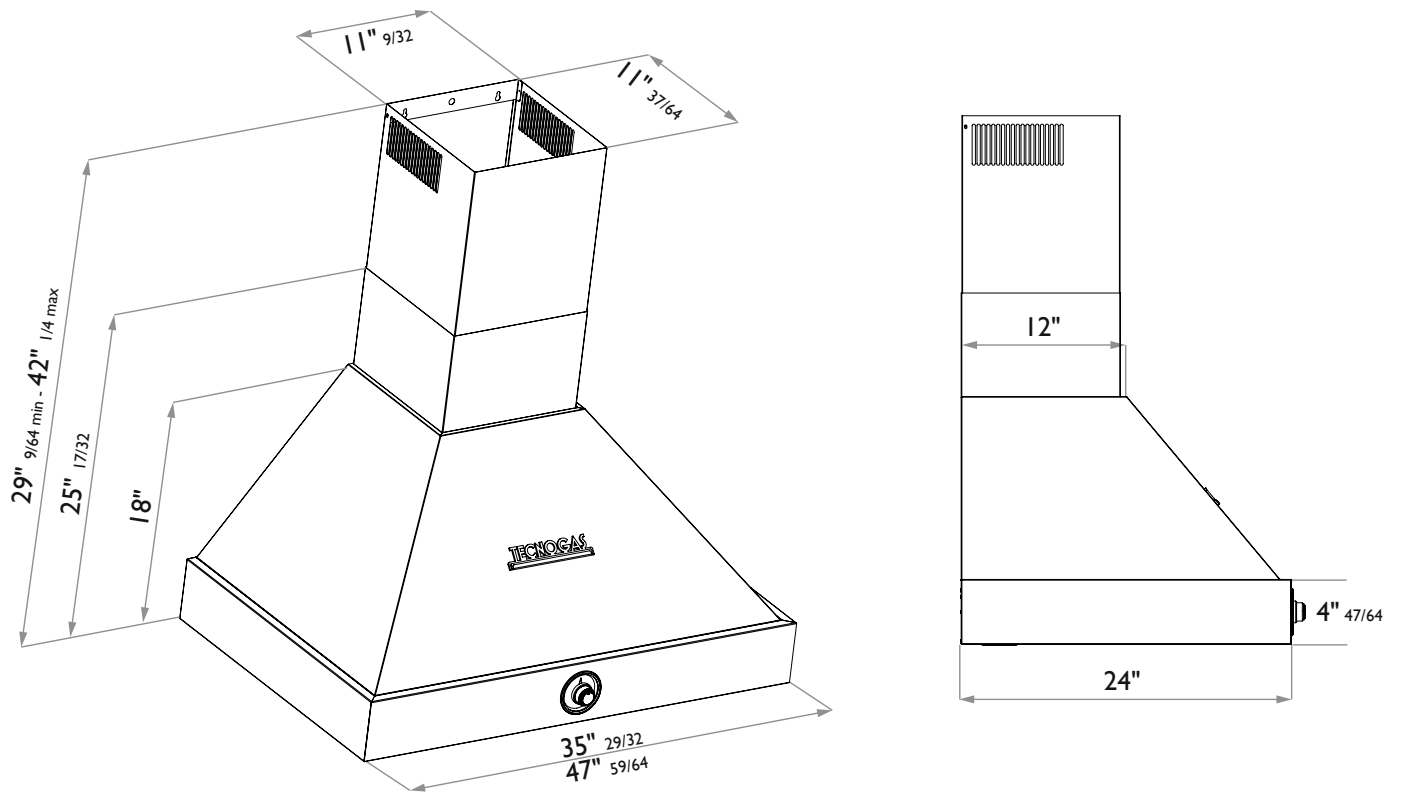
We appreciate your choice of a SUPERIORE range hood and hope that you will again select our products.

For more information about the complete and growing selection of SUPERIORE products, contact your dealer or visit us online at WWW.SUPERIORE.US

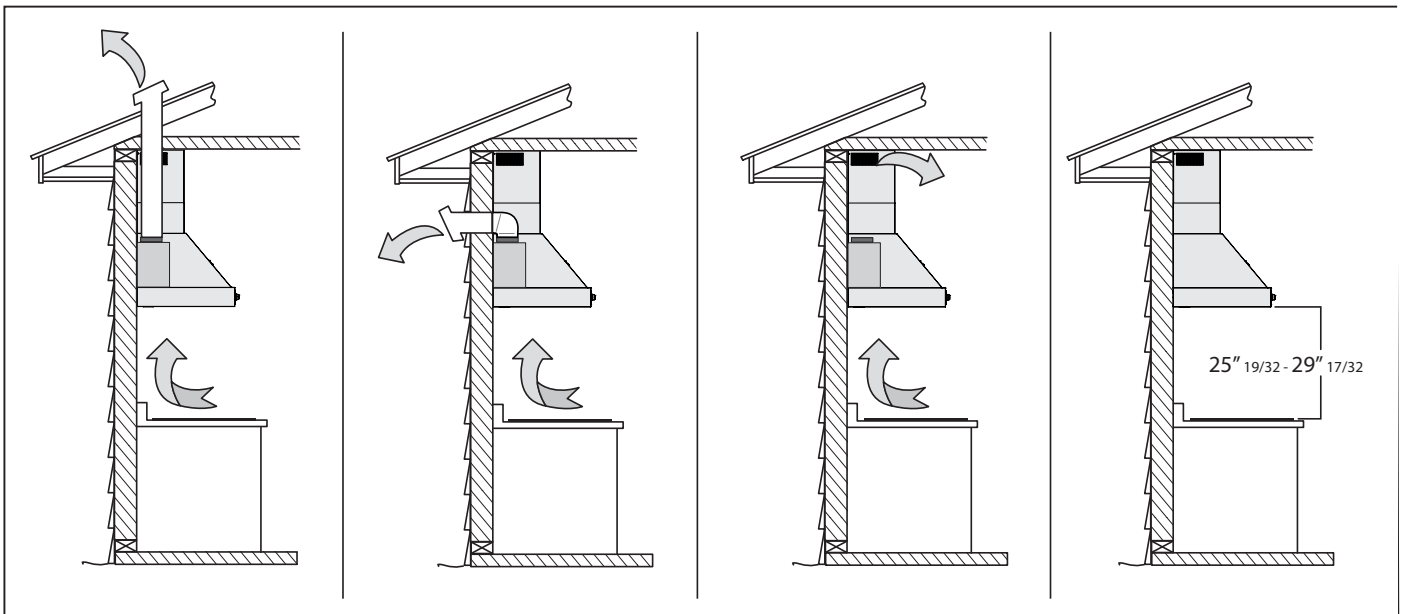
GRAZIE !

Antonio Di Tommaso
CEO

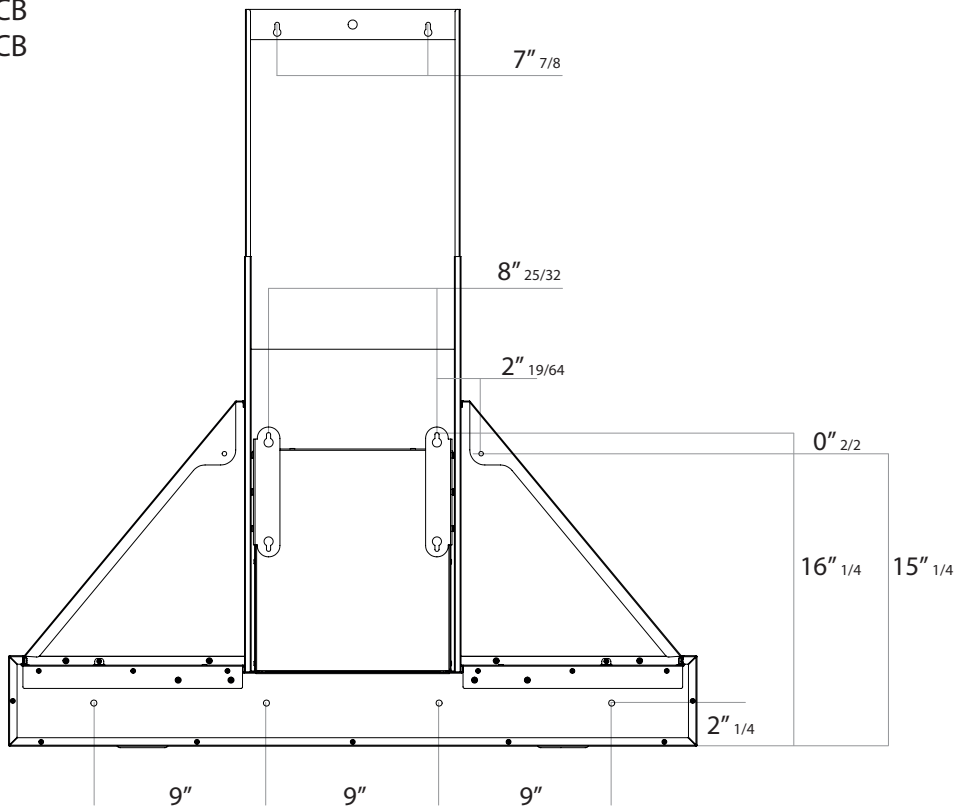




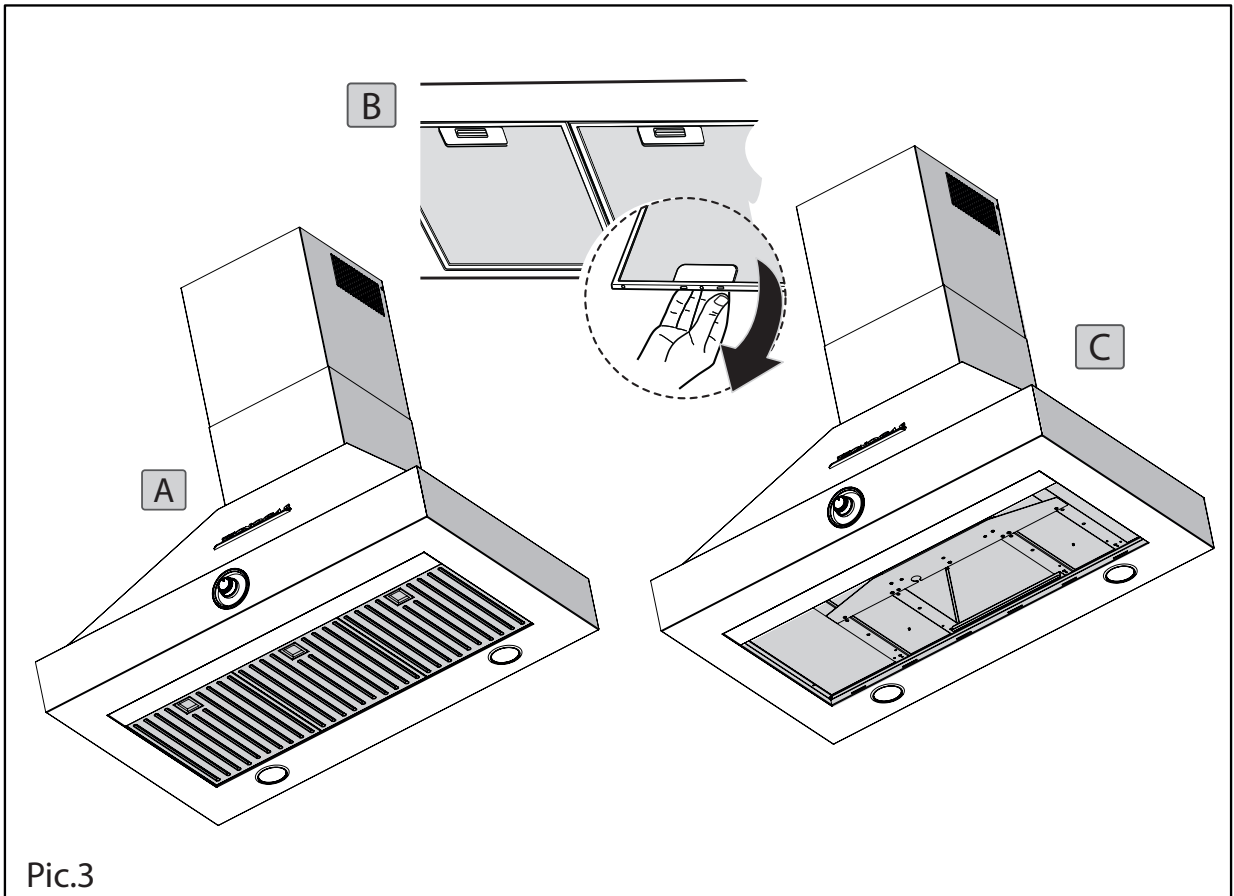
Pic. 2



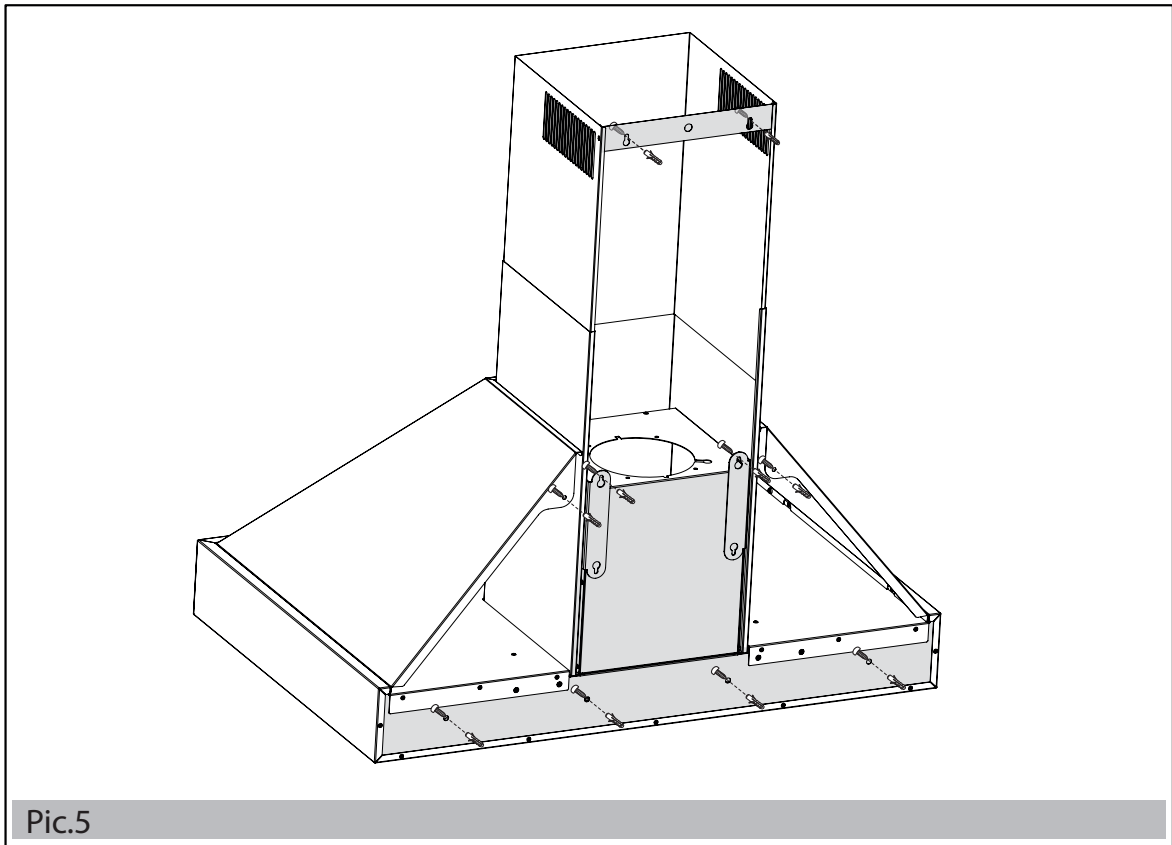
HD36IC_NB_MG_RC_CB
HD48IC_NB_MG_RC_CB



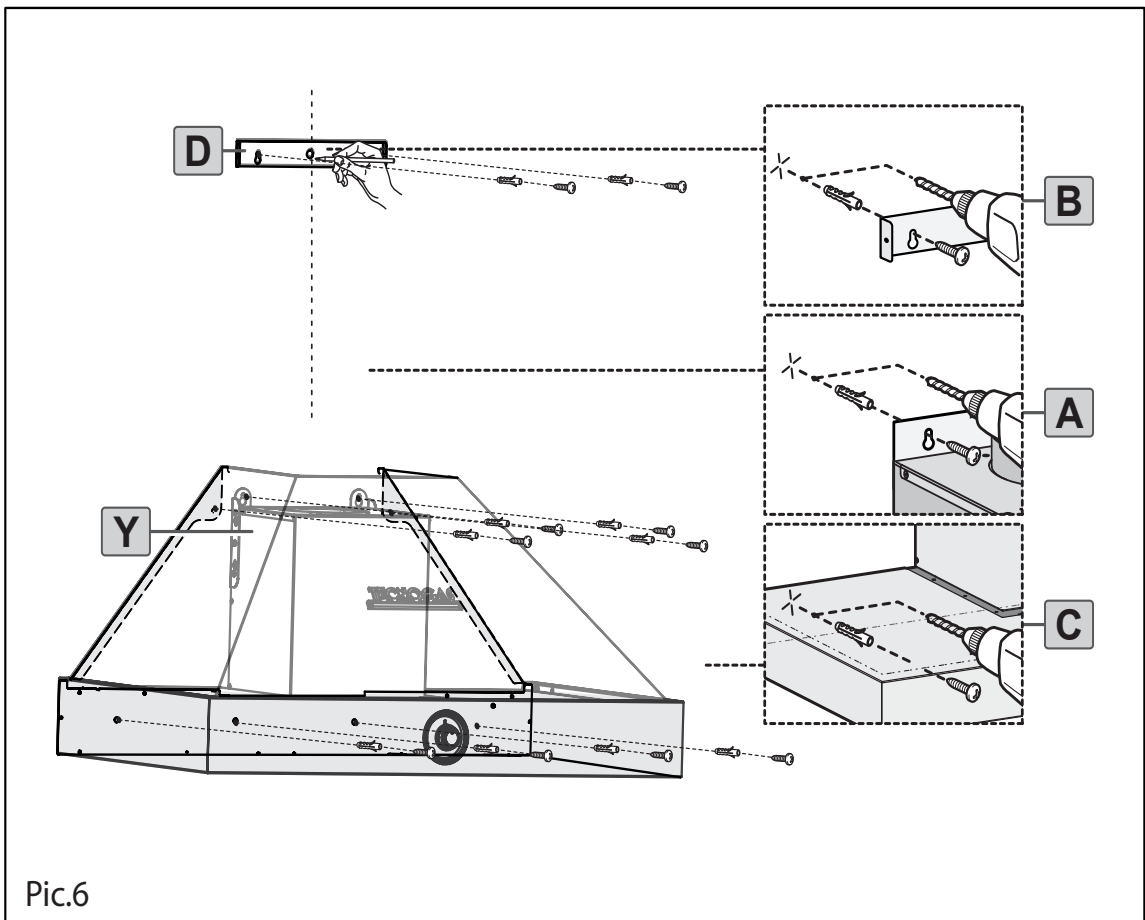
Pic. 4B



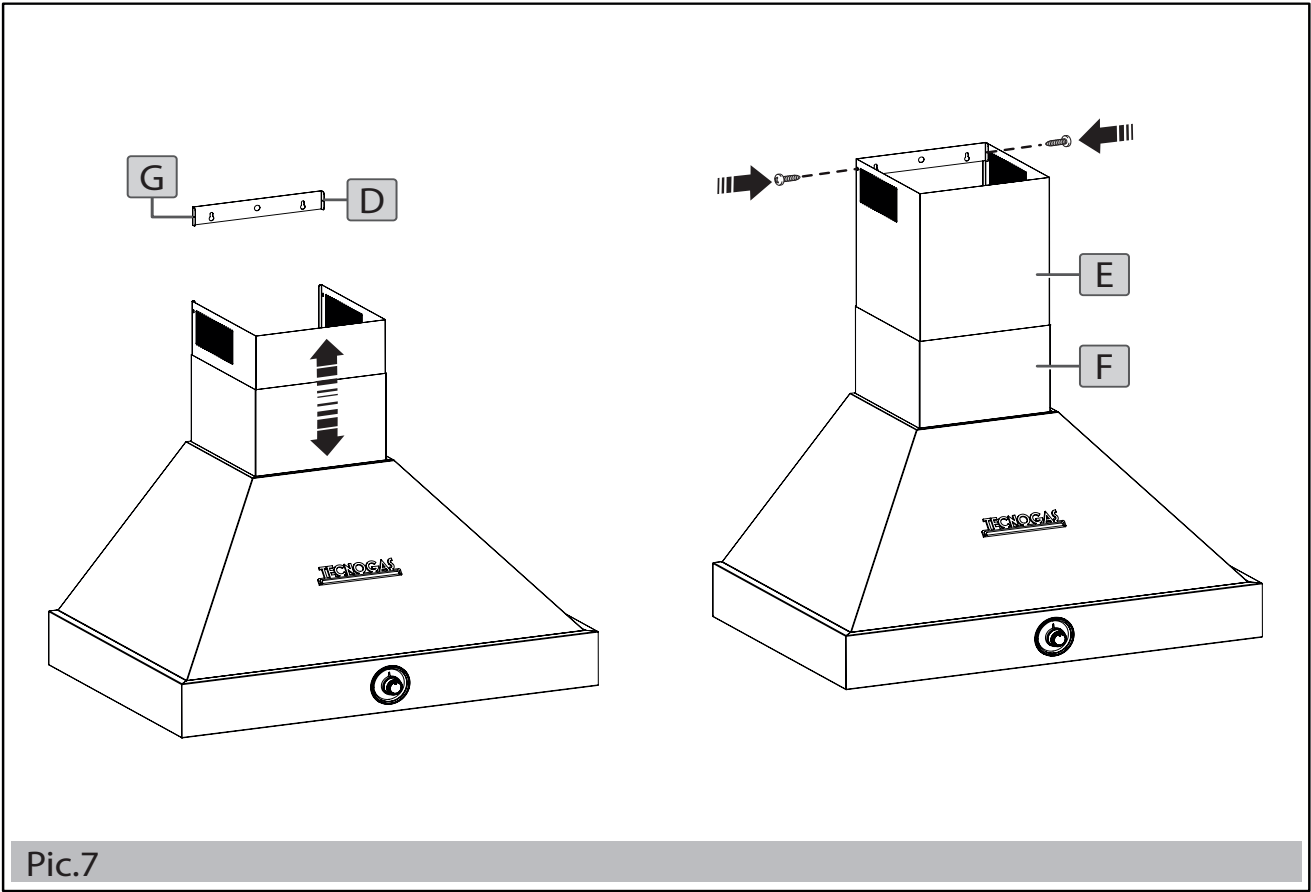
Pic.3



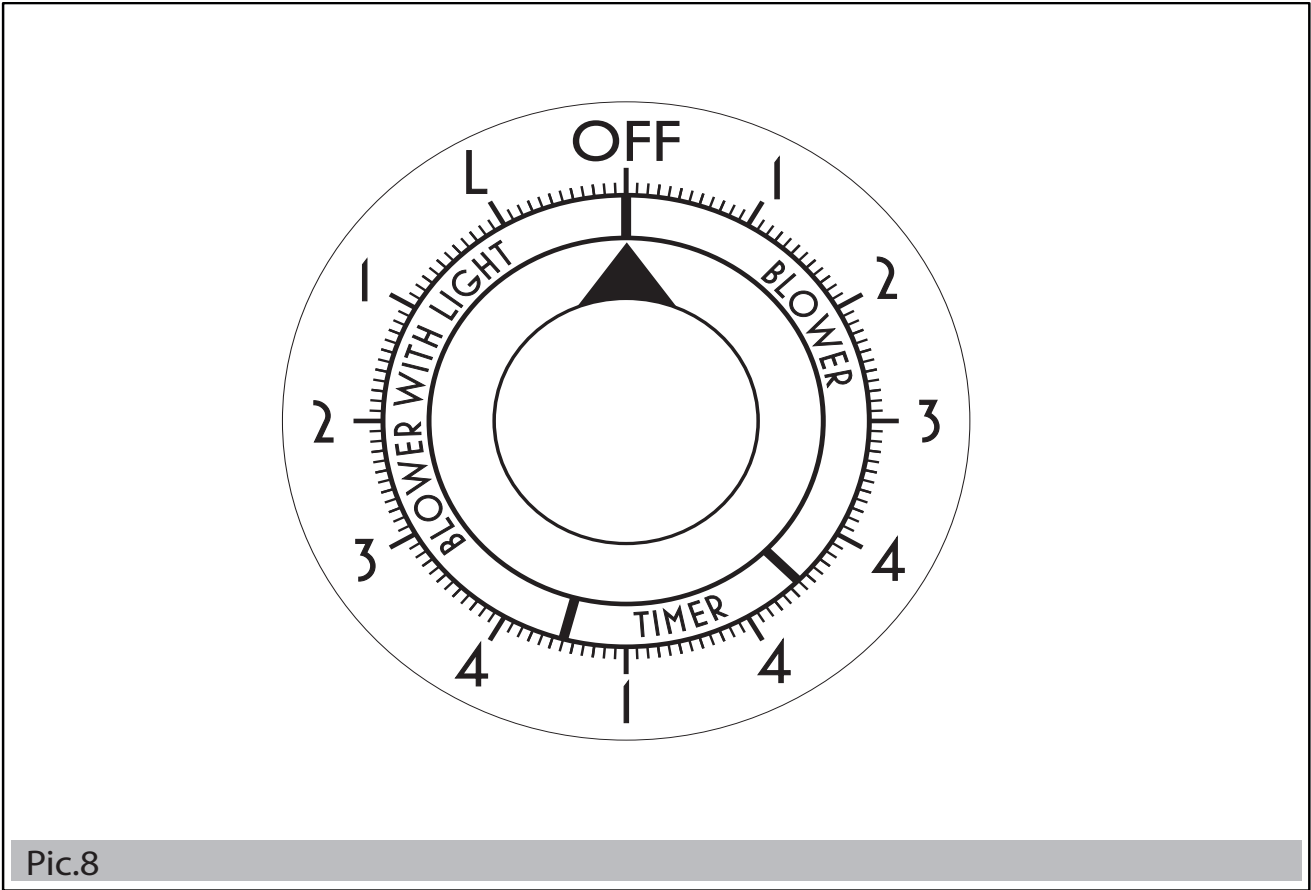
Pic.5



Pic.6



Pic.7



Pic.8

WARNING

Read and follow these instructions.

This instruction booklet must be kept together with the appliance for future reference. If the appliance is sold or consigned to other parties, check that the booklet is supplied with it, to ensure that the new user has the correct information on the operation of the range hood and is aware of the warnings. These warnings have been provided for your safety and the safety of others. As a result, please read them carefully before installing and operating the appliance. This appliance is not intended for use by persons (including children) with reduced physical, sensory or mental capabilities, or lack of experience and knowledge, unless they have been given supervision or instruction concerning use of the appliance by a person responsible for their safety. Children should be supervised to ensure that they do not play with the appliance.

The appliance must be installed by qualified personnel, in accordance with the standards in force. If the supply cord is damaged, it must be re-placed by the manufacturer, its service agent or similarly qualified persons in order to avoid a hazard. Any modifications that may be required to the electrical system for the installation of the range hood must only be made by qualified electricians. It is dangerous to modify or attempt to modify the characteristics of this system. In the event of malfunctions or if repairs are required to the appliance, do not attempt to solve the problems directly. Repairs performed by unqualified persons may cause damage. For all repair and other work on the appliance, contact an authorised service/spare parts centre. Always check that all the electrical parts (lights, exhaust device), are off when the appliance is not being used. Read the entire instruction booklet before performing any operations on the range hood.

The range hood must only be used for the exhaust of cooking fumes in home kitchens. The manufacturer disclaims all liability for any other use of the appliance. The maximum weight of any object placed above the hood, or hung to it (if possible) must not exceed 2,67 lbt. After installing the stainless steel hood, clean it in order to remove any residue of the protective glue, and stains of grease or oil. The manufacturer recommends its cleaning cloth available for purchase. The manufacturer accepts no liability in case of damage caused by the use of different detergent types. Do not operate any fan with a damage cord or plug. Discard fan or return to an authorized service facility for examination and/or repair.

Do not run cord under carpeting. Do not cover cord with throw rugs, runners, or similar coverings. Do not route cord under furniture or appliances. Arrange cord away from traffic area and where it will not be tripped over.

CAUTION:



This product must be disposed of at end of life according to the rules in force.

The electrical system features an earth connection in compliance with international safety standards; furthermore, it is compliant with the USA and Canada standard for electromagnetic compatibility.

Do not connect the appliance to flues (from boilers, fireplaces, etc.). Make sure the mains voltage corresponds to the values on the rating plate located inside the range hood.

Never cook on "open" flames under the range hood.

Check deep-fryers during use: superheated oil may be flammable.

- Ensure there is adequate ventilation of the room when the rangehood is used at the same time as appliances burning gas or other fuels.

- Do not flambe under the rangehood

- The exhaust air must not be discharged into a flue which is used for exhausting fumes from appliances burning gas or other fuels.

- Ensure that all regulations concerning the discharge of exhaust air have been fulfilled before you use the appliance.

Before performing any cleaning or maintenance operations, disconnect the appliance by unplugging it or using the main switch. The manufacturer disclaims all liability for any damage that may be directly or indirectly caused to people, things and animals due to the failure to follow all the instructions provided in this booklet and above all the warnings relating to the installation, operation and maintenance of the appliance.

- there is a fire risk if cleaning is not carried out in accordance with the instructions.

CAUTION: Accessible parts may become hot when used with cooking appliances.

- Max. length screw for fixing the chimney is 25/64 (provided by the manufacturer).

WARNING: Failure to install the screws or fixing device in accordance with these instructions may result in electrical hazards.

WARNING: To reduce the risk of fire, use only metal ductwork

WARNING – TO REDUCE THE RISK OF A RANGE TOP GREASE FIRE :

a) Never leave surface units unattended at high settings. Boilovers cause smoking and greasy spillovers that may ignite. Heat oils slowly on low or medium settings.

b) Always turn hood ON when cooking at high heat or when flambeing food (i.e. Crepes Suzette, Cherries Jubilee, Peppercorn Beef Flambe').

- c) Clean ventilating fans frequently. Grease should not be allowed to accumulate on fan or filter.
- d) Use proper pan size. Always use cookware appropriate for the size of the surface element.

WARNING – TO REDUCE THE RISK OF INJURY TO PERSONS IN THE EVENT OF A RANGE TOP GREASE FIRE, OBSERVE THE FOLLOWING:

- a) SMOTHER FLAMES with a close-fitting lid, cookie sheet, or metal tray, then turn off the burner. BE CAREFUL TO PREVENT BURNS. If the flames do not go out immediately, EVACUATE AND CALL THE FIRE DEPARTMENT.
- b) NEVER PICK UP A FLAMING PAN – You may be burned.
- c) DO NOT USE WATER, including wet dishcloths or towels – a violent steam explosion will result.
- d) Use an extinguisher ONLY if:
 - 1) You know you have a Class ABC extinguisher, and you already know how to operate it.
 - 2) The fire is small and contained in the area where it started.
 - 3) The fire department is being called.
 - 4) You can fight the fire with your back to an exit.

THECNICAL SPECIFICATIONS

The technical specifications of the appliance are shown on the rating plates located inside the range hood.

INSTALLATION

The distance between the work-top and the lowest part of the rangehood is normally at least 25" 19/32, if installed on induction hob, or 29" 17/32 if installed on gas hob (Pic. 2). This distance is measured in the lowest part of the rangehood not operating at safety voltage. If the instructions for installation for the gas hob specify a greater distance, this has to be taken into account. In the outside exhaust version, the diameter of the fume discharge duct must be no smaller than the range hood connection. In the horizontal sections, the duct must slope slightly (around 10%) upwards, so as to better convey the air outside of the room. Avoid using angled pipes, make sure that the pipes are at least of the minimum length.

Comply with the current regulations on air discharge into the atmosphere. If a boiler, stove, fireplace, etc. that uses gas or other fuels is being used at the same time, make sure the room where the fumes are extracted is well ventilated, in compliance with the current regulations.

ELECTRICAL CONNECTIONS

Before doing any work inside the range hood, disconnect the appliance from the main power supply. Check that the wires inside the range hood are not disconnected or cut; if this is the case, contact your service centre. The electrical connections must be performed by qualified personnel. The connections must be performed in compliance with the legal standards in force. Check that the relief valve and the electrical system are able to support the load of the appliance (see label inside the product). Some types of appliances are supplied with a cable without plug; in this case, "standardised" plugs must be used, keeping in mind that:

- the yellow-green wire must be used for the earth,
- the blue wire must be used for the neutral,
- the brown wire must be used for the phase; the cable must not come into contact with hot parts (over 70°C).
- fit a plug that is suitable for the load to the power cable, and connect it to a suitable power outlet.

For appliances that come supplied with cable and plug please ensure they are plugged into a circuit suitable for this appliance. Please refer to a qualified person. The manufacturer declines all liability if the safety standards are not observed.

GROUNDING INSTRUCTIONS

This appliance must be grounded. In the event of an electrical short-circuit, grounding reduces the risk of electric shock by providing an escape wire for the electric current. This appliance is equipped with a cord having a grounding wire with a grounding plug. The plug must be plugged into an outlet that is properly installed and grounded.

WARNING — Improper grounding can result in a risk of electric shock. Consult a qualified electrician if the grounding instructions are not completely understood, or if doubt exists as to whether the appliance is properly grounded. Do not use an extension cord. If the power supply cord is too short, have a qualified electrician install an outlet near the appliance.

INSTALLATION IN EXHAUST MODE

In this version, the fumes and steam from the kitchen are conveyed outside through an exhaust duct.

The exhaust conveyor that protrudes from the upper part of the range hood must be connected to a duct that carries the fumes and steam outside. In this version, the charcoal filter, if fitted, should be removed. There must be adequate ventilation of the room when the range hood is used at the same time as appliances burning gas or other fuels, according to the standard.

INSTALLATION IN RECIRCULATING MODE

In this version, the air passes through charcoal filter for purification, and is then recirculated back into the kitchen.

Check that the charcoal filter is fitted to the body, and if not, install them and fix it with one screw. If the

hood is of filtering type, remove the non-return valve fitted at the motor's outlet. For maximum efficiency, the third speed should be used when there are strong odours or a lot of steam, the second speed in normal conditions, and the first speed for keeping the air clean with minimum energy consumption. The range hood should be switched on when starting to cook, and left on until the odours disappear.

OPERATIONS

ELECTRONIC KNOB CONTROL (Pic. 8)

OFF position

In that position the light and the blower are in Off condition.

Blower section

- 1 = Switch on the blower at first speed
- 2 = Switch on the blower at second speed
- 3 = Switch on the blower at third speed
- 4 = Switch on the blower at fourth speed

Blower with light section

- L = Switch on the hood light
- 1 = Switch on the blower at first speed and light
- 2 = Switch on the blower at second speed and light
- 3 = Switch on the blower at third speed and light
- 4 = Switch on the blower at fourth speed and light

Timer section

- 1 = The hood works for 30 minutes at first speed (silent cycle)
- 4 = The hood works for 7 minutes at fourth speed (intensive cycle)

FILTERS BAFFLE AND MASH REMOVING

BAFFLE AND MASH FILTERS

Open the panel (Pic. 3). Use handle to remove the metal grease filter.

CHARCOAL FILTER

To replace the charcoal filter, proceed as follows: remove the metal filters as described above. The charcoal filter located in front of the motor box can now be easily accessed.

LIGHTS

The hood is equipped with high efficiency, low power consumption LED lights (light on the work top and decorative light on the glass panes), with high durability under normal use conditions. On the product there are two leds from 1,1 watts.

MAINTENANCE AND CLEANING

Constant maintenance ensures the correct operation and efficiency of the appliance over time. Special attention should be paid to the metal grease-trapping filters and the charcoal filters. Frequent cleaning of the filters and their supports will ensure that fats and grease do not accumulate on the range hood, with the consequent risk of fire.

1. BAFFLE AND MASH GREASE-TRAPPING FILTERS

These trap the fat and grease particles suspended in the air, and therefore should be washed every month in warm water and detergent, without bending them. The filters are dishwasher safe. Wait until they are completely dry before repositioning them. This operation should be performed at regular intervals.

2. CHARCOAL FILTERS

These trap the odours present in the stream of air that passes through them. The air is purified by passing a number of times through the filters and being recirculated into the kitchen. The charcoal filters cannot be cleaned, and should be replaced on average every 3-4 months (according to use).

3. CLEANING THE OUTSIDE OF THE APPLIANCE

It is advised to clean the external hood surfaces at least every 15 days in order to avoid that oily or greasy substances affect the steel surfaces.

The outside of the range hood should be cleaned using a damp cloth and neutral liquid detergent or denatured alcohol.

In case of fingerprint-less finish (fasteel) clean only with water and neutral soap using clean with a soft cloth, rinse and wipe dry thoroughly. Do not use products that contain abrasive substances, rough cloths or cloths specifically designed for cleaning steel. Using abrasive substances or rough cloths will inevitably damage the finish of steel. The steel surface will be irrevocably damaged if the instructions above are not complied with.

Keep these instructions together with the instructions for use of your hood.

The manufacturer accepts no liability for any damage caused by non-compliance with the instructions above.

4. CLEANING THE INSIDE OF THE APPLIANCE

The electrical parts or parts of the blower assembly inside the range hood must not be cleaned using liquids or solvents.

HOOD INSTALLATION

WARNING: *Failure to install the screws or fixing device in accordance with these instructions may result in electrical hazards.*

In the table of figure 4 you can identify the measures referring your model.

Take measurements from the hob (Pic. 2), mark with a pencil on the wall where to drill the points (Pic. 6).

Drill, insert the screw anchors \varnothing 5/16 and partially tighten the screws (Pic. 6 B,A,C).

Hook the hood to the screws, tighten the screws after checking if the hood is in the bubble.

To prevent the dropping of the hood due to pressure from below, fasten it to the wall with screws (Pic. 5).

Install the chimney under the hob, adjust and fix it on the bracket following the picture 7.

AVERTISSEMENTS

Lire ce livret et le garder-

Conserver cette notice avec l'appareil pour pouvoir la consulter en cas de besoin.

Si l'appareil est vendu ou cédé à tiers, veiller à ce que la notice soit fournie en même temps pour que le nouvel utilisateur puisse avoir toutes les indications concernant le fonctionnement de la hotte et les avertissements correspondants. La notice a été rédigée pour votre sécurité et celle d'autrui. Nous vous prions donc de la lire attentivement avant de monter et d'utiliser l'appareil.

Cet appareil n'est pas destiné à être utilisé par des personnes (y-compris des enfants) dont les capacités physiques, sensorielles ou mentales sont réduites, ou manquant d'expérience et de connaissances, à moins qu'elles ne soient surveillées ou instruites par une personne responsable de leur sécurité sur le mode l'utilisation de l'appareil.

Surveillez les enfants et faites en sorte qu'ils ne jouent pas avec l'appareil.

L'appareil doit être monté par un installateur compétent et qualifié, conformément aux normes en vigueur.

Si le câble d'alimentation est abîmé, demander au fabricant, à un Service après-vente agréé ou à une personne expérimentée de le remplacer afin de prévenir tout risque de danger.

Les modifications éventuelles de l'installation électrique, qui s'avèrent nécessaires pour monter la hotte, doivent être faites par du personnel compétent.

Il est dangereux de modifier ou d'essayer de modifier les caractéristiques de cette installation.

En cas de panne ou de mauvais fonctionnement de l'appareil, ne pas essayer de résoudre le problème mais s'adresser au Service après-vente agréé. Les réparations faites par des personnes non compétentes peuvent abîmer l'appareil.

Pour toute intervention, s'adresser à un Service après-vente agréé en mesure de fournir les pièces détachées. Toujours vérifier si les parties électriques, (lumières, aspirateur) sont éteintes quand l'appareil n'est pas utilisé. Lire entièrement la notice avant d'effectuer une opération quelconque sur la hotte.

La hotte s'utilise de la même façon que les aspirateurs des fumées de cuisson au-dessus des cuisinières domestiques.

Le fabricant décline toute responsabilité en cas d'usage impropre.

Le poids maximal des objets éventuels placés ou suspendus (quand c'est prévu) sur la hotte ne doit pas dépasser 1,5 kg.

Après avoir monté la hotte en acier inox, la nettoyer pour éliminer les résidus de colle ou de produit de protection et les taches de graisse ou d'huile. Pour exécuter cette opération, le constructeur recommande l'utilisation des lingettes détergentes fournies avec la lampe.

Le fabricant décline toute responsabilité pour les dommages éventuels en cas d'emploi d'autres types de détergents.



ATTENTION :

Ce produit doit être éliminé en fin de vie, conformément aux règles en vigueur.

L'installation électrique est dotée d'un branchement à la terre comme reporté dans les normes de sécurité internationales; elle est par ailleurs conforme aux normes européennes sur les parasites radio.

Ne pas relier l'appareil aux conduits d'évacuation des fumées dues à la combustion (chaudières, cheminées, etc.). Vérifier si la tension du réseau correspond à celle indiquée sur la plaque qui se trouve à l'intérieur de la hotte. Ne pas faire cuire avec une flamme « libre » en dessous de la hotte. Vérifier les friteuses durant l'emploi: l'huile surchauffée pourrait prendre feu.

- S'assurer que le local est suffisamment aéré s'il faut faire fonctionner la hotte en même temps que certains appareils qui utilisent le gaz ou autre comme combustible.

- Ne pas allumer de flammes libres en dessous de la hotte. - Ne pas relier l'appareil aux conduits d'évacuation des fumées dues à la combustion (chaudières, cheminées, etc.).

- S'assurer que les normes en vigueur sur l'évacuation de l'air à l'extérieur du local sont respectées avant d'utiliser la hotte.

a) Ne pas faire fonctionner un ventilateur avec un cordon ou une prise endommagée. Jeter ventilateur ou revenir à une autorisation

centre de service pour examen et / ou de réparation “.

b) Ne pas passer le cordon sous un tapis. Ne pas couvrir le cordon avec des carpettes, les couvreurs, ou similaires revêtements. Ne pas passer le cordon sous les meubles ou appareils. Disposez le cordon loin de la zone de trafic et où il ne sera pas trébucher.“

WARNING : TO RÉDUIRE LES RISQUES D'INCENDIE, UTILISER SEUL METAL DUCTWORK.

AVERTISSEMENT - POUR RÉDUIRE LES RISQUES DE FEU DE CUISINIÈRE:

a) Ne jamais laisser les appareils de cuisson sans surveillance à des réglages élevés. Les débordements cause de la fumée et graisseux Que les retombées peuvent se enflammer. Les huiles lentement à feu doux ou à température moyenne.

- b) Toujours mettre la hotte en marche un lorsque vous cuisinez à feu vif ou un aliment quand flamber (à savoir crêpes Suzette, cerises jubilé, steak au poivre flambé).
- c) Nettoyez le ventilateur fréquemment. La graisse ne doit pas être autorisé à se accumuler sur le ventilateur ou filtre.
- d) Utilisez casseroles de dimension appropriée. Utilisez toujours des casseroles adaptées à la taille de l'élément de surface.

AVERTISSEMENT - POUR RÉDUIRE LE RISQUE DE BLESSURES EN CAS DE FEU DE CUISINIÈRE, SUIVEZ LES INSTRUCTIONS SUIVANTES:

- a) Éteindre les flammes avec un couvercle hermétique, une tôle à biscuits ou un plateau en métal, puis éteignez le brûleur. **ATTENTION AUX BRÛLURES.** Si les flammes ne se éteignent pas immédiatement le temps, **SORTEZ ET APPELEZ LES POMPIERS.**
- b) **NE PRENEZ JAMAIS UN PAN FLAMING** - Vous pourriez vous brûler.
- c) **Ne UTILISEZ PAS D'EAU**, y compris des serviettes mouillées - une explosion de vapeur violente résultat.
- d) Utilisez un extincteur **SEULEMENT** si:
- 1) Vous savez que vous avez un extincteur de classe ABC et vous savez déjà comment faire fonctionner fr.
 - 2) Le feu est petit et contenu dans la zone où il a commencé.
 - 3) Le service des incendies a été appelé.
 - 4) Vous pouvez combattre le feu avec votre dos à une sortie.

Débrancher l'appareil en enlevant la fiche ou en actionnant l'interrupteur général avant d'effectuer une opération de nettoyage ou d'entretien quelconque. Le fabricant décline toute responsabilité pour les accidents ou les dommages directs ou indirects éventuels aux animaux domestiques ou aux biens dus au non-respect des indications reportées dans cette notice et concernant, en particulier, les avertissements sur le montage, l'emploi et l'entretien de l'appareil.

- Un risque d'incendie existe si le nettoyage n'est pas effectué conformément aux instructions.

ATTENTION: Les parties accessibles peuvent devenir très chaudes si elles sont utilisées avec des appareils de cuisine.

- La longueur maximale des vis de fixation de la cheminée est de 10 mm (fournies par le fabricant).

AVERTISSEMENT: L'installation des vis ou du dispositif de fixation de façon non conforme aux présentes instructions peut provoquer des dangers électriques.

CARACTERISTIQUES TECHNIQUES

Les données techniques de l'appareil sont reportées sur les plaques qui se trouvent à l'intérieur de la hotte (enlever les grilles métalliques pour voir l'étiquette).

MONTAGE

La distance entre la cuisinière et la partie la plus basse de la hotte de cuisine est, selon la norme, d'au moins 65 cm, pour l'installation sur plaque de cuisine, ou 75 cm pour l'installation sur plaques de gaz. Cette distance est mesurée précisément sur le point le plus bas de la hotte avec contrainte qui ne représente pas une contrainte admissible. En se basant sur ce détail prévu par les normes européennes, il est possible de réduire la distance sur certains modèles, comme indiqué dans le catalogue général. Si les instructions de la cuisinière à gaz indiquent une distance plus grande, il faut en tenir compte. Dans la version aspirante, le tuyau de sortie des fumées doit avoir un diamètre non inférieur à celui du raccord de la hotte. Le tuyau doit être légèrement incliné (environ 10%) vers le haut dans la partie à l'horizontale pour acheminer l'air à l'extérieur du local. Réduire le plus possible les coudes, vérifier si les tuyaux ont la longueur minimale indispensable. Respecter les normes en vigueur sur l'évacuation de l'air à l'extérieur. Si la hotte fonctionne en même temps que d'autres appareils alimentés au gaz ou avec d'autres combustibles (chaudières, poêles, cheminées, etc.), s'assurer que le local où a lieu l'aspiration des fumées est bien aéré, conformément aux normes en vigueur.

BRANCHEMENT ELECTRIQUE

Toujours débrancher l'appareil avant de faire une opération quelconque à l'intérieur de la hotte. S'assurer qu'aucun fil n'est débranché ou coupé ; si c'est le cas, contacter le Service après-vente le plus proche. S'adresser à du personnel qualifié pour le branchement électrique. Les branchements doivent être effectués conformément aux dispositions de loi en vigueur. Vérifier si le disjoncteur et l'installation électrique peuvent supporter la charge de l'appareil (voir plaque des caractéristiques techniques). Certains appareils peuvent être munis d'un câble sans fiche ; la fiche à utiliser doit dans ce cas être de type « standardisé » en tenant compte que:

- le fil jaune-vert doit être utilisé pour la mise à la terre;

- le fil bleu doit être utilisé pour le neutre;

- le fil marron doit être utilisé pour la phase, le câble ne doit pas être en contact avec les parties chaudes ayant une température supérieure à 70°C ;

- monter une fiche adaptée à la charge sur le câble d'alimentation et la brancher à une fiche de sécurité appropriée.

Si un appareil fixe n'est pas muni d'un câble d'alimentation et d'une fiche, ou d'un autre dispositif pour le débrancher, avec une distance d'ouverture des contacts permettant la coupure de courant totale en cas de surtension, catégorie III, les instructions doivent indiquer que ces dispositifs de coupure doivent être prévus dans le réseau d'alimentation, conformément aux règles d'installation.

Le câble de terre jaune/vert ne doit pas être interrompu par l'interrupteur.

Avant de brancher l'appareil, vérifier si :

- la tension d'alimentation correspond à celle indiquée sur la plaque caractéristiques techniques;
- la prise de terre est correcte et fonctionnelle ;
- le système d'alimentation est muni d'un branchement à la terre efficace, conformément aux normes en vigueur ;
- la prise ou l'interrupteur omnipolaire sont faciles à atteindre lorsque l'appareil est monté.

Le fabricant décline toute responsabilité si les normes de sécurité ne sont pas respectées.

CONSIGNES DE MISE À LA TERRE

Cet appareil doit être mis à la terre. En cas de court-circuit, le fil de mise à la terre limite le risque de choc électrique parce qu'il assure le retour du courant à la terre. L'appareil est livré avec un cordon muni d'un fil de terre et d'une fiche de mise à la terre, qui doit être branchée sur une prise mise à la terre correctement installée.

AVERTISSEMENT — Une mise à la terre incorrecte peut entraîner des risques de choc électrique.

Consulter un électricien compétent en cas de doute sur ces consignes de mise à la terre ou en cas d'incertitude concernant la mise à la terre correcte du circuit sur lequel l'appareil est branché.

Ne pas utiliser de cordon de rallonge. Si le cordon d'alimentation est trop court, faire installer une prise par un électricien compétent à proximité de l'appareil.

HOTTE VERSION A EVACUATION EXTERIEURE

Dans cette version, les fumées et les vapeurs de cuisine doivent être acheminées vers l'extérieur par un tuyau d'évacuation.

Le convoyeur d'évacuation qui dépasse en haut de la hotte doit être relié à un tuyau qui conduit les fumées et les vapeurs vers une sortie extérieure.

Le local doit être suffisamment aéré, conformément aux normes en vigueur, si la hotte est utilisée en même temps que d'autres appareils qui fonctionnent au gaz ou avec d'autres combustibles.

Indication spécifique pour l'Allemagne :

Quand la hotte fonctionne en même temps que des appareils alimentés avec de l'énergie autre que celle électrique, la pression négative dans le local ne doit pas dépasser les 4 Pa (4 x 10⁻⁵ bar).

HOTTE VERSION A RECYCLAGE D'AIR

Dans cette version, l'air passe à travers le filtre au charbon actif pour être purifié et recyclé dans la cuisine. Vérifier si le filtre au charbon actif sont montés sur le moteur, si ce n'est pas le cas, les monter comme indiqué dans l'image ci-dessus. Lorsque la hotte est en modalité de filtrage enlevez la soupape de non retour placée sur le raccordement du moteur en sortie. Pour que le rendement soit optimal, il est conseillé d'utiliser la troisième vitesse en présence d'odeurs fortes et de vapeurs, la deuxième vitesse dans des conditions normales et la première vitesse pour maintenir l'air propre en consommant peu d'énergie électrique.

Il est conseillé d'allumer la hotte au moment de commencer la cuisson et de la laisser fonctionner jusqu'à ce que les odeurs aient disparu.

FOCTIONNEMENT

BOÎTIER DE COMMANDE ÉLECTRONIQUE (Fig. 8)

La position OFF

Dans cette position, la lumière et le ventilateur sont en état Off.

Section Soufflante

- 1 = interrupteur sur le souffleur à première vitesse
- 2 = Changer le ventilateur au deuxième vitesse
- 3 = interrupteur sur le ventilateur à la vitesse de therd
- 4 = Changer le ventilateur à la quatrième vitesse

Souffleuse à l'article lumière

- L = Allumez la lumière de la hotte
- 1 = interrupteur sur le souffleur à première vitesse et de la lumière
- 2 = Changer le ventilateur en deuxième vitesse et la lumière
- 3 = interrupteur sur le ventilateur à la vitesse de la lumière et therd
- 4 = Changer le ventilateur à la quatrième vitesse et de la lumière

Section minuterie

- 1 = La hotte fonctionne pendant 30 minutes à la première vitesse (cycle de silence)
- 4 = La hotte fonctionne pendant 7 minutes à la quatrième vitesse (cycle de forte intensité)

INSTRUCTIONS POUR LES ENLEVER ET LES REMPLACER

1. FILTRES MÉTALLIQUES

Ouvrir le panneau (Fig. 4). Pour retirer le filtre métallique anti-graisses, actionner la poignée A.

2. FILTRES AU CHARBON ACTIF

Procéder comme suit pour remplacer les filtre au charbon actif: enlever les filtres métalliques comme indiqué plus haut, ce qui permet d'accéder facilement aux filtre qui sont accrochés sur le côté droit et gauche du convoyeur.

Pour le montage/remplacement, voir la figure.

Pour commander les nouveaux filtres à charbon s'adresser au distributeur/revendeur.

ECLAIR MONTAGE ET REMPLACEMENT

La hotte est équipée d'un éclairage (lumière sur le plan de travail et lumière décorative sur les vitres) à LED à haute efficacité, basse consommation et très longue durée de vie, dans des conditions d'utilisation normales.

ENTRETIEN ET NETTOYAGE

L'entretien constant garantit un bon fonctionnement et un rendement optimal dans le temps. Il faut faire très attention en particulier aux filtres métalliques anti-graisse et à ceux au charbon actif. Le nettoyage fréquent des filtres et du support correspondant évite à la graisse de s'accumuler sur la hotte, ce qui pourrait provoquer un incendie.

1. FILTRES ANTI-GRAISSE MÉTALLIQUES

Ils servent à retenir les particules de graisse en suspension. Il est donc conseillé de les laver chaque mois dans de l'eau chaude contenant un peu de détergent, en évitant de les plier. Ces filtres peuvent être lavés dans la lave-vaisselle. Attendre qu'ils soient bien secs avant de les remonter.

Répéter fréquemment l'opération.

2. FILTRES AU CHARBON ACTIF

Ils servent à retenir les odeurs présentes dans le flux d'air qui les traverse. L'air épuré suite aux passages successifs à travers le filtre est recyclé dans la cuisine. Ne pas laver le filtre au charbon actif qui doivent être remplacés en moyenne tous les 3-4 mois (en fonction de l'usage).

3. NETTOYAGE EXTÉRIEUR DE LA HOTTE

Nous recommandons de nettoyer les surfaces externes des hottes chaque 15 jours au moins afin d'éviter que les substances huileuses ou les graisses ne nuisent aux surfaces en acier.

Nettoyer la hotte avec un chiffon humide et un peu de détergent liquide neutre ou avec de l'alcool dénaturé.

4. NETTOYAGE INTÉRIEUR DE LA HOTTE

Il est interdit de nettoyer les parties électriques ou celles relatives au moteur à l'intérieur de la hotte avec des liquides ou des solvants ;

Ne pas utiliser de produits contenant des substances abrasives. Toujours débrancher l'appareil avant d'effectuer les opérations indiquées plus haut.

MONTAGE DE LA HOTTE

AVERTISSEMENT : *Le non-respect de ces instructions concernant l'installation des vis ou des dispositifs de fixation peut entraîner des dangers liés à l'électricité.*

Le tableau de la figure 4 identifier les mesures nécessaires pour percer votre modèle.

Prendre des mesures à partir de la table de cuisson (Fig. 2), et marquer avec un crayon sur le mur où percer points (Fig. 6).

Percer, insérer les chevilles \varnothing 8 mm et serrer partiellement les vis (Fig. 6 B, A, C).

Accrochez la hotte aux vis, serrarele après avoir vérifié si le capot est dans la bulle.

Pour éviter la chute de la hotte en raison de la pression d'en bas, le fixer au mur avec des vis (Fig. 5).

Monter la cheminée télescopique sur le capot et ajuster la hauteur de fixation sur le support comme le montre la figure 7.

ADVERTENCIAS

Lea y guarde estas instrucciones.

Es muy importante conservar este libro de instrucciones junto al aparato para cualquier consulta futura. Si el aparato tuviera que ser vendido o traspasado a otra persona, asegúrese que el libro vaya incluido, de modo que el nuevo usuario pueda ponerse al corriente del funcionamiento de la campana y de las advertencias correspondientes.

Estas advertencias han sido redactadas para su seguridad y para la de los demás, les rogamos, por tanto, de leerlas atentamente antes de la instalación y la utilización del aparato.

Este aparato no está diseñado para que lo utilicen personas (incluidos los niños) con capacidades físicas, sensoriales o mentales reducidas, o con falta de experiencia y conocimiento, a no ser que estén vigilados o instruidos sobre el uso del aparato por una persona responsable de su seguridad.

Los niños pequeños deben ser vigilados para asegurarse de que no jueguen con el aparato.

El montaje debe ser realizado por personal cualificado siguiendo la normativa vigente.

Si el cable de alimentación está dañado, debe ser sustituido por el fabricante, por el Servicio Asistencia Técnica o por un personal cualificado con el fin de evitar posibles riesgos.

Cualquier modificación que se debiera realizar en el montaje eléctrico para instalar la campana debe ser supervisada por personal competente.

Es peligroso modificar o intentar modificar las características de esta instalación. En caso de reparación o mal funcionamiento del aparato, no intentar resolver el problema directamente.

Las reparaciones efectuadas por personas no cualificadas pueden provocar daños.

Para manipulaciones eventuales diríjase a un Centro de Asistencia Técnica autorizado.

Controlar siempre que todas las piezas eléctricas (luces, aspirador) queden apagadas cuando no se use el aparato. Leer todo el libro de instrucciones antes de efectuar ninguna operación en la campana.

El uso de la campana no puede ser otro que el aspirar humos de cocción en cocinas domésticas.

Cualquier uso diverso exime al fabricante de cualquier responsabilidad.

El peso máximo permitido de objetos eventualmente colocados o colgados (en su caso) sobre la campana no debe superar 1,5 kilos.

Una vez instaladas, las campanas en acero inoxidable deben limpiarse para eliminar los residuos de plásticos protecto y eventuales manchas de grasa y aceite. Para esta operación aconsejamos la utilización de nuestro producto específico disponible a la venta.

La utilización de otra tipología de detergentes exime al fabricante de la responsabilidad de los daños que se puedan derivar.



ATENCIÓN:

Este producto se debe eliminar al final de su vida de acuerdo con las normas vigentes.

La instalación eléctrica está equipada de toma de tierra de acuerdo a las normas internacionales de seguridad y conforme a la normativa Europea de compatibilidades electromagnéticas.

No conectar el aparato a conductos de salida de humos derivados de combustión (calefacción, chimeneas, etc). Verificar que la tensión de la red eléctrica corresponde a la que indica la etiqueta localizada en el interior de la campana. No cocinar a fuego "abierto" bajo la campana. Controlar las freidoras durante su uso, el aceite recalentado puede incendiarse.

Asegurarse que haya una ventilación adecuada en la estancia si la campana se utiliza junto con otros aparatos que usan combustión a gas u otros.

No encender fuego abierto bajo la campana. No conectar el aparato a conductos de salida de humos derivados de la combustión (calefacciones, chimeneas, etc).

Asegúrese que se cumple la normativa vigente sobre salida de humos al exterior del local antes del uso de la campana.

Antes de proceder a cualquier operación de limpieza o mantenimiento, apagar el aparato desenchufándolo o accionando el interruptor general. El fabricante declina cualquier responsabilidad por eventuales daños que pudieran, directa o indirectamente, ser causados a personas, cosas o animales domésticos derivados de la omisión de las prescripciones indicadas en el libro de instrucciones adjunto y concernientes especialmente, a las indicaciones en tema de instalación, uso y mantenimiento del aparato.

- existe riesgo de incendio si la limpieza no se efectúa de acuerdo con las instrucciones.

a) "No opere ningún ventilador con un cable o enchufe dañado. Deseche ventilador o volver a un autorizado centro de servicio para su revisión y / o reparación".

b) "No tienda el cable debajo de la alfombra. No cubra el cable con tapetes, alfombras o similares revestimientos. No lo haga el cable debajo de muebles o electrodomésticos. Coloque el cable lejos del área de tráfico y donde no pueda provocar tropezones".

PRECAUCIÓN: Las partes accesibles pueden calentarse cuando se las utiliza con aparatos de cocción.

- La longitud máx. del tornillo para fijar la chimenea es 10 mm (suministrado por el fabricante).

ADVERTENCIA: Si no se instalan los tornillos o el dispositivo de fijación de acuerdo con estas

instrucciones, podrían originarse peligros eléctricos.

CARACTERISTICAS TECNICAS

Los datos técnicos del electrodoméstico están contenidos en las placas, situadas en la parte interior de la campana extractora.

INSTALLATION

La distancia entre la vitrocerámica y la parte baja de la campana debe ser de 65 cm, si se colocan en la placa de inducción, o 75 cm si se coloca en el gas suelo (Fig. 2). Esta distancia se mide con rigurosidad en el punto más bajo de la campana con tensión que no es la de seguridad. Sobre la base de este detalle previsto por las normas europeas es posible reducir la distancia en algunos modelos como se especifica en el catálogo general. Si las instrucciones de la placa de cocción a gas establecen una distancia mayor, hay que tenerlo en cuenta.

En la versión aspirante, el tubo de salida de los humos debe tener un diámetro no inferior al del empalme de la campana extractora. En los tramos horizontales, el tubo debe presentar una leve inclinación (del 10% aproximadamente) hacia arriba para transportar fácilmente el aire hacia el exterior del ambiente.

Reducir las curvas al mínimo, verificar que los tubos tengan una longitud mínima indispensable.

Respetar la normativa vigente sobre salida de humos al exterior.

En caso de usar a la vez otros utensilios (calefacción, estufas, chimeneas, etc) alimentadas a gas o con otros combustibles, proveer al local de una ventilación adecuada de aspiración de humos, según la normativa vigente.

CONEXION ELECTRICA

Antes de efectuar cualquier operación en el interior de la campana extractora, desenchufe el aparato de la red eléctrica. Asegúrese de no desconectar o cortar los hilos eléctricos en el interior de la campana extractora; si se producen estas circunstancias pongáse en contacto con el centro de asistencia más cercano. Para la conexión eléctrica solicite la intervención de personal cualificado. Debe efectuar la conexión en conformidad con las disposiciones de ley en vigor. Controle que la válvula de sobrepresión y la instalación eléctrica puedan soportar la carga del aparato (véase la placa de las características técnicas). Algunos tipos de aparatos pueden equiparse con un cable sin clavija, en este caso, use un tipo de clavija «normalizado» teniendo en consideración que:

- debe utilizar el hilo amarillo – verde para la puesta a tierra.
- debe utilizar el hilo azul para el neutro.
- debe utilizar el hilo marrón para la fase, el cable no debe entrar en contacto con partes calientes con temperaturas superiores a los 70°C.
- monte en el cable de alimentación un enchufe apto para la carga que debe conectar a una clavija de seguridad adecuada. El cable de tierra amarillo / verde no debe ser interrumpido por el interruptor.

Antes de proceder a la conexión, controle que:

- la tensión de alimentación corresponda a la indicada en la placa de las características técnicas.
- la toma de tierra sea correcta y funcione.
- el equipo de suministro esté equipado con una conexión de tierra eficaz según las normas en vigor.
- la toma o el interruptor omnipolar usados sean fácilmente accesibles con la instrumentación instalada.

El fabricante declina cualquier responsabilidad en caso de no respetar las normas para la prevención de accidentes. **INSTRUCCIONES DE CONEXIÓN A TIERRA**

Este aparato debe estar conectado a tierra. En el caso de un cortocircuito eléctrico, conexión a tierra reduce el riesgo de descarga eléctrica proporcionando un cable de escape para la corriente eléctrica. Este aparato está equipado con un cable que tiene un cable con un enchufe de conexión a tierra. El enchufe debe conectarse a un tomacorriente debidamente. Que Es instalado y conectado a tierra.

ADVERTENCIA - conexión a tierra incorrecta puede resultar en un riesgo de descarga eléctrica.

Consulte a un electricista calificado si las instrucciones de conexión a tierra no se entienden completamente, o si duda existe en cuanto a si el aparato está conectado a tierra correctamente. No utilice un cable de extensión. Si la fuente de alimentación cable es demasiado corto, haga que un electricista calificado instale un tomacorriente cerca del aparato.

WARNING :TO REDUCIR EL RIESGO DE INCENDIO, USE SOLO METAL DUCTWORK.

ADVERTENCIA - PARA REDUCIR EL RIESGO DE UN INCENDIO DE GRASA:

a) Nunca deje las unidades de superficie sin atención en niveles altos. Los desbordamientos provoca el tabaquismo y grasienta Que los derrames pueden inflamarse. Caliente el aceite lentamente en un ajuste bajo o medio.

b) Siempre ENCIENDA la campana una cuando cocine a fuego alto o una comida cuando flamee (es decir, Crepes Suzette, Cerezas Jubilee, res con pimienta Flambe ‘).

c) Limpie los ventiladores con frecuencia. La grasa no debe permitir que se acumule en el ventilador ni filtro.

d) Utilizar sartén de tamaño adecuado. Siempre utilice el utensilio adecuado al tamaño del elemento de superficie.

ADVERTENCIA - PARA REDUCIR EL RIESGO DE LESIONES PERSONALES EN CASO DE UN DE GRASA DE FUEGO, observe lo siguiente:

a) Apague LLAMAS con una tapa ajustada, hornear galletas o una bandeja de metal, luego apague el quemador. **TÉNGA CUIDADO PARA EVITAR QUEMADURAS**. Si las llamas no se apagan de tiempo inmediatamente,

EVACUARY LLAME A LOS BOMBEROS.

b) Nunca levante una sartén en llamas - Usted se podrá quemar.

c) **NO USE AGUA**, incluyendo paños o toallas mojadas - una explosión de vapor violenta resultado.

d) Use un extintor **SOLAMENTE** si:

1) Usted sabe que tiene un extintor Clase ABC, y ya sabe cómo operar en.

2) El fuego es pequeño y está contenido en el área donde se inició.

3) El departamento de bomberos han sido avisados.

4) Usted puede combatir el incendio con su espalda hacia una salida.

CAMPANA EXTRACTORA EN LA VERSION CON LA EVACUACION EXTERIOR

En esta versión los humos y los vapores de la cocina son transportados hacia el exterior mediante un tubo de salida. El tubo de salida que sobresale por la parte superior de la campana extractora debe estar acoplado a un tubo que conduce los humos y los vapores hacia una salida exterior. En esta versión, quite los filtros de carbón activo, si presentes, para la extracción de ver la imagen de abajo. Cuando la campana extractora de cocina se utiliza contemporáneamente con otros aparatos que emplean gas u otros combustibles, el local debe disponer de una ventilación suficiente.

Indicación para Alemania:

Si la campana y los aparatos alimentarios con energía diferente a la eléctrica están en funcionamiento simultaneo, la presión negativa del local no debe superar los 4 Pa (4×10^{-5} bar).

CAMPANA EXTRACTORA EN LA VERSION CON RECICLADO INTERIOR

En esta versión el aire pasa a través de los filtro de carbón activo para ser purificado y ser reciclado en el ambiente de la cocina. Controle que los filtro de carbón activo estén montados en la cáscara antes de que el motor, en caso contrario debe montarlos. Si la capa está preparada para versión filtrante quitar la válvula antiretorno montada en la salida del motor. Para obtener el mejor rendimiento le aconsejamos utilizar la tercera velocidad en presencia de fuertes olores y vapores, la segunda velocidad para condiciones normales y la primera velocidad para mantener el aire limpio con bajos consumos de energía eléctrica. Le aconsejamos encender la campana extractora cuando empiece a cocer y no apagarla hasta la desaparición de los olores.

FUNCIONAMIENTO

BOTONERA ELECTRÓNICA (Fig. 8)

Positòn OFF

En esa posición la luz y el ventilador se encuentran en estado Off.

Sección del soplador

1 = Encender el ventilador en primera velocidad

2 = Encender el ventilador en la segunda velocidad

3 = Encender el ventilador a velocidad therd

4 = Encender el ventilador en el cuarto de velocidad

Soplador con sección de luz

L = Encender la luz capucha

1 = Encender el ventilador en primera velocidad y la luz

2 = Encender el ventilador en segunda velocidad y la luz

3 = Encender el ventilador a velocidad therd y la luz

4 = Encender el ventilador en el cuarto de velocidad y la luz

Seccion Temporizadòr

1 = La campana funciona durante 30 minutos a primera velocidad (ciclo de silencio)

4 = La campana funciona durante 7 minutos a cuarta velocidad (ciclo intensivo)

FILTROS INSTRUCCIONES PARA EXTRACCION Y SUSTITUCION

I. FILTROS METÁLICOS

Abrir el panel (Fig. 4). Para sustituir el filtro metálico antigrasa apretar en la manilla A.

2. FILTROS DE CARBÓN ACTIVO

Para sustituir el filtro de carbono proceder de la forma siguiente: saque el filtro metálico como se indica arriba. De este modo se accede fácilmente a los 2 filtros que están sujetos a los lados, derecho e izquierdo del motor. Para el montaje ver figura.

Para solicitar los nuevos filtros de carbón, diríjase al distribuidor/revendedor.

ILUMINACION

La campana incluye iluminación (luz en la zona de trabajo y luz decorativa en los cristales) con led de alta eficiencia, bajo consumo y larga duración en condiciones de uso normales.

MANTENIMIENTO Y LIMPIEZA

Un mantenimiento constante garantiza un buen funcionamiento y un buen rendimiento a lo largo del tiempo. Preste una atención especial a los filtros metálicos antigrasa y a los filtros de carbón activo, en efecto la limpieza frecuente de los filtros y de sus soportes garantiza que no se acumulen grasas, que son peligrosas por la facilidad de incendio, en la campana extractora.

1. FILTROS ANTIGRASA METÁLICOS

Su función es retener las partículas grasas en suspensión, por lo tanto le aconsejamos lavarlos mensualmente en agua caliente y detergente sin plegarlos. Estos filtros se pueden lavar en el lavavajillas. Espere hasta que estén perfectamente secos para remontarlos.

Le recomendamos efectuar esta operación con una frecuencia constante.

2. FILTROS DE CARBÓN ACTIVO

Su función es retener los olores presentes en el flujo del aire que pasa por ellos. El aire depurado, mediante sucesivos pasajes a través de los filtros, retorna al ambiente cocina. Los filtros de carbón activo no pueden lavarse y deben sustituirse en media cada 3 – 4 meses (depende también del uso).

3. LIMPIEZA EXTERIOR

Se recomienda limpiar las superficies externas de las campanas al menos cada 15 días, para evitar que las sustancias aceitosas o grasosas puedan corroer las superficies de acero.

La limpieza de la campana debe hacerse con un paño húmedo con jabón líquido neutro o con alcohol desnaturalizado.

No se deben utilizar productos que contengan sustancias abrasivas, paños con superficies ásperas o paños que se adquieren en el comercio para la limpieza del acero. La utilización de sustancias abrasivas o paños ásperos dañarán irreparablemente el tratamiento superficial del acero.

La consecuencia directa de no respetar estas indicaciones será el deterioro irreversible de la superficie del acero. Estas indicaciones deben conservarse junto al libro de instrucciones de la campana.

El fabricante declina cualquier responsabilidad en el caso de no respetarse estas instrucciones.

4. LIMPIEZA INTERIOR

Se prohíbe limpiar las partes eléctricas o las partes relativas al motor del interior de la campana extractora, con líquidos o solventes.

No use productos que contengan sustancias abrasivas. Realice todas estas operaciones desenchufando previamente el aparato de la red eléctrica.

MONTAJE CAMPANA

ADVERTENCIA: *La instalación de tornillos o sujetadores no de acuerdo con ellas instrucciones pueden resultar un riesgo de descarga eléctrica.*

La tabla de la figura 4 a identificar las medidas necesarias para perforar su modelo.

Tome las medidas de la placa de cocción (Fig. 2), y marcar con un lápiz en la pared dónde perforar los puntos (Fig. 6).

Broca, introduzca los tacos \varnothing 8 mm y apriete parcialmente los tornillos (Fig. 6 B,A, C).

Enganche la campana a los tornillos, serrarele después de comprobar si la campana está en la burbuja.

Para evitar la caída de la campana debido a la presión desde abajo, fijarlo a la pared con tornillos (Fig. 5).

Montar la chimenea telescópica en el capó y ajuste la altura de fijación al soporte como se muestra en la Figura 7.

WARRANTY

SUPERIORE WARRANTY

FULL TWO-YEAR WARRANTY

For two years from the date of the original purchase, SUPERIORE, will repair or replace (at its option) any part of the range which fails due to a defect in materials or workmanship. During this full two years warranty, SUPERIORE will provide, free of charge, all labor and in-home service to repair or replace the defective part. This warranty is extended to the original purchaser and any succeeding owner with proper documentation of ownership for products purchased for residential use within the United States of America.

EXCLUSIONS

This warranty does not cover any defect or damage, which is not direct fault of SUPERIORE; this includes, but is not limited to:

- 1) Service trips to your home to instruct you how to use the product.
- 2) Service trips to your home, during which no fault is found.
- 3) Damages occurred during transit, handling and/or installation of the product.
- 4) Damages occurred in case the product has not been installed, duly following the manufacturer's installation instructions, as well as any local code or regulation.
- 5) Damages due to failure in following the manufacturer's recommended care, cleaning and maintenance instructions; in particular, damages to the oven and/or the cooktop if they have not been cared and cleaned according to these instructions.
- 6) Any repair, modification, alteration, or adjustment provided by any person not authorized by SUPERIORE.
- 7) Failure of the product if it is abused, misused or used for other than the intended purpose or if used commercially/industrially.
- 8) Incorrect electric current, voltage or power supply.
- 9) Improper setting of any control.
- 10) Replacement of house fuses or resetting of circuit breakers.
- 11) Replacement of the light bulbs.
- 12) Wear and tear
- 13) Any substance, accumulating in any part or component of the product.
- 14) Damages to anything situated next to the product, including, but not limited to, ceiling, floor or cabinetry.
- 15) Damage to the product caused by accident, fire, floods or acts of God.
- 16) Expenses for travel and transportation to locations more than 30 miles from an authorized SUPERIORE retailer.
- 17) Products with original serial numbers that have been removed.

The remedies described above are the only ones which SUPERIORE will provide, either under this warranty or under any warranty arising by operation of law. SUPERIORE will not be responsible for any consequential or incidental damages arising from the breach of this warranty or any other warranty, whether express, implied or statutory.

Some states do not allow the exclusion or limitation of incidental or consequential damages. This warranty gives you specific legal rights, and you may also have other rights which vary from state to state. To know what your legal rights are, consult your local state consumer affairs office or your state's Attorney General.

Service Information

If service is required, call your dealer or authorized service agency.

The name of the authorized service agency can be obtained from the dealer or distributor in your area, on calling 1-844-322-2111.

Have the following information readily available .

- Model number
- Serial number
- Date purchased
- Name of dealer from whom purchased
- Clearly describe the problem that you are having.

Record the information indicated below.

You will need it if service is ever required.

The model and serial number can be found by looking in the last page of this booklet.

A duplicate label is located inside of the range.

Model no. _____ Serial no. _____

Date of purchase _____ Date installed _____

Dealer's name _____

Address _____

If service requires installation of parts, use only authorized parts to insure protection under warranty.

Keep this manual for future reference.

