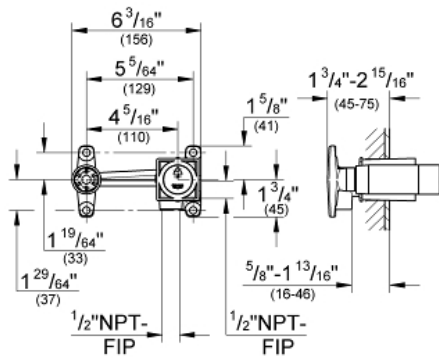


2-Hole Wall Mount Faucet Rough-In Valve

MODEL # 23254000

Pure Freude
an Wasser

GROHE



Product Description:

2-Hole Wall Mount Faucet Rough-In Valve

Standard Specification:

- For 2-hole basin mixers
- Wall installation
- Without finishing trim set
- Installation depth (1 $\frac{3}{4}''$ - 3")
- **GROHE SilkMove** 1.4" (35 mm) ceramic cartridge
- Adjustable flow rate limiter
- Installation device
- NPT female thread, • $\frac{1}{2}''$

Applicable Codes & Standards:

- Energy Policy Act of 1992
- NSF 61
- ASME A112.18.1/CSA B125.1
- ICC/ANSI A117.1
- LOGO NSF

Color:

□ 23254000