



**AW230790**  
**200 series wall hood**  
**Stainless Steel**  
**Width 35 7/16 " (90 cm)**  
**Air extraction/recirculation**  
**Standard duct cover included**

**Classic Gaggenau design**  
**Highly efficient extraction of cooking vapors**  
**Low-noise blower**  
**Patented filter technology with high level of grease absorption**  
**Rim extraction filter with flat and easy-to-clean stainless steel surface**  
**Dimmable LED light for optimum illumination of the entire cooktop**  
**Air extraction or recirculation system**  
**Air recirculation module with activated charcoal filters: quiet and highly efficient air recirculation solution with odor reduction as in air extraction mode, and long replacement intervals**

#### Output

Air extraction:  
622 / 765 m<sup>3</sup>/h.  
Air recirculation:  
510 / 571 m<sup>3</sup>/h.  
Odor reduction recirculation 95%.

#### Features

Three electronically controlled power levels and an intensive mode.  
Grease filter saturation indication by flashing light  
Patented rim extraction filter, dishwasher-safe.  
Warm white LED light (3600 K), continuously dimmable.  
Airflow-optimized interior for efficient air circulation.  
Easy mounting system for simple installation and alignment.  
The package includes an one-way flap.

#### Planning notes

The hood includes a two-part duct cover with the dimensions from 582 mm to 864 mm. Individual planning solutions can be accommodated using the optional duct cover accessory AD 200 322 or by shortening the lower edge of the telescopic duct cover. Minimum clearance above gas cooktop 76 cm (30 inches). For more more than 40.000 BTU min. 70 cm (27 inches). Clearance above electric appliances min. 30".  
The air recirculation module with activated charcoal filter can be installed on the external duct cover or on the inside of the duct cover.  
When installing a ventilation hood with air extraction mode and a chimney-vented fireplace, the hood's power supply line needs a suitable safety switch.

#### Rating

Total rating: 425 W.  
Total Amps: 3 A.  
110 - 127 V / 60 Hz  
Connecting cable 1.3 m with plug.

#### Product Features

**Operating Mode**  
Convertible: Ducted / Recirculating  
**Number of speed settings**  
3/5/10  
**Delay Shut off modes**  
3/5/10  
**Silence level (dBA)**  
Required accessories  
**Optional accessories**  
AA200110, AA200812  
**Number of lights**  
3  
**Type of lamps used**  
LED  
**Total power of the lamps (W)**  
15  
**Grease filter material**  
Washable stainless steel  
**Grease filter type**  
Multilayer  
**Clean filter reminders**

#### Consumption and connection features

**UPC code**  
825225907640  
**Material**  
Stainless steel  
**Watts (W)**  
425  
**Current (A)**  
3  
**Volts (V)**  
110-127  
**Frequency (Hz)**  
60  
**Approval certificates**  
ETL  
**Power Cord Length**  
51 3/16 "  
**Plug type**  
120V-3 prong  
**Overall appliance dimensions (HxWxD) (in)**  
26 7/16 " - 37 9/16 " / x 35 7/16 " x  
**Product packaging dimensions (HxWxD) (in)**  
23.03 x 25.59 x 38.18  
**Height of the chimney (in)**  
22 15/16 " - 34 "  
**Vertical rise height**  
**Required distance above cooktop/ranges**  
30 "/30 "  
**Net weight (lbs)**  
57  
**Gross weight (lbs)**  
68  
**Adjustable feet**  
**Motor location**  
Integrated motor in hood chimney  
**Maximum CFM**  
**Diameter of air duct (in) top**  
6  
**Diameter of air duct (in) back**  
**Discharge direction**  
**No-return airflow flap**  
Yes

2017-09-14

Page 1

#### Color Variants

**AW230790**  
**Stainless Steel**  
**Width 35 7/16 " (90 cm)**

#### Optional accessories

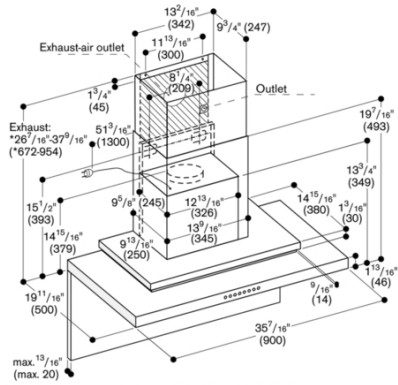
**AA200110**  
**Active charcoal filter for retrofitting air recirculation module AA 200 812/816**  
**AA200812**  
**Recirculation module with activated charcoal filter**

#### Installation Accessories

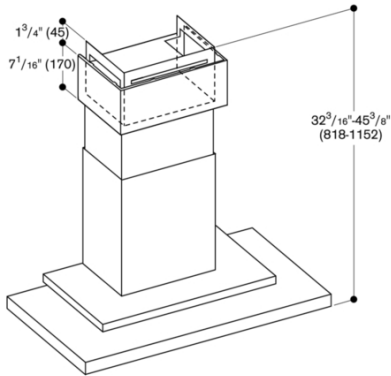
**AD200322**  
**Stainless steel duct cover extension**  
**Length: 3' 3 3/8"**  
**AD200392**  
**Ceiling collar for chimneys**  
**Stainless steel**

# GAGGENAU

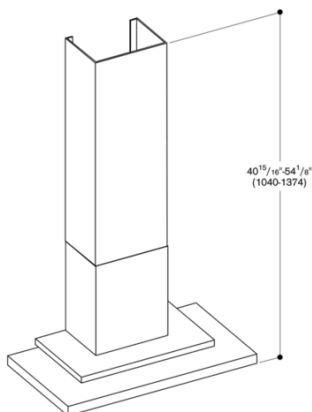
**AW230790**  
**200 series wall hood**  
**Stainless Steel**  
**Width 35 7/16" (90 cm)**  
**Air extraction/recirculation**  
**Standard duct cover included**  
 2017-09-14  
 Page 2



\* Suitable for ceiling heights of 7.4 ft (2.27 m) to 8.4 ft (2.55 m);  
 Specifications refer to a distance from floor to lower chimney edge of 5.2 ft (1.60 m).



\* Suitable for ceiling heights of 8 ft (2.45 m) to 9 ft (2.75 m);  
 Specifications refer to a distance from floor to lower chimney edge of 5.2 ft (1.60 m).



\* Suitable for ceiling heights of 8.7 ft (2.64 m) to 9.7 ft (2.97 m);  
 Specifications refer to a distance from floor to lower chimney edge of 5.2 ft (1.60 m).