



#### VL 200 120

Black control panel  
Width 5 7/8" (15 cm)  
Air recirculation  
Motorless

#### Installation accessories

##### AD 410 040

Flexible connecting piece for VL 200

##### AD 851 041

Connecting piece VL 200 for extension for extra deep countertop

##### VV 200 010

Stainless steel connection strip for combination with other Vario appliances of the 200 series

##### VV 200 020

Black connection strip for combination with other Vario appliances of the 200 series

##### AD 704 040

Pipe adapter, DN 200/150, metal

##### AD 858 010

Flat duct flex pipe, DN 150, metal

##### AD 854 010

Flat duct, DN 150, metal

##### AD 854 030

Flat duct bend, 90° vertical, DN 150, metal

##### AD 854 031

Flat duct bend, 90° horizontal, DN 150, metal

##### AD 854 040

Flat duct connecting piece, male, DN 150, metal

##### AD 854 000

Flat duct connecting piece, female, DN 50, metal

##### AD 854 041

Flat duct adapter round, DN 150, metal

##### AD 854 032

Flat duct adapter round, 90° vertical, DN 150, metal

##### AD 990 091

Aluminum tape

#### Optional accessories

##### LS 041 001

Air deflector for VL 200 next to gas appliance

Stainless steel

#### Vario 200 series downdraft ventilation

##### VL 200

- Can be combined with the cooktops of the Vario 200 series to a harmonic unity
- Highly efficient ventilation system at the cooktop integrated in the countertop
- Function for automatic, sensor-controlled power adjustment depending on the build-up of cooking vapors
- Minimal planning and easy installation
- Low-noise system with recirculation blower AR 410 710
- Air recirculation system

#### Output

Power levels depend on the remote blower.

#### Features

Control knobs with illuminated ring.  
3 electronically controlled power levels and 1 intensive mode.  
Automatic function with sensor-controlled run-on function.  
Large-scale metal grease filter with high grease absorption.  
Grease filter, dishwasher-safe.  
Grease filter and activated charcoal filter saturation indicator.  
Airflow-optimized interior for efficient air circulation.  
Interval ventilation, 6 min.  
Enameled ventilation grill, dishwasher-safe.  
Air exhaust bend included in delivery.  
Overflow 8.5 oz. (250 ml) capacity.

#### Consumption data

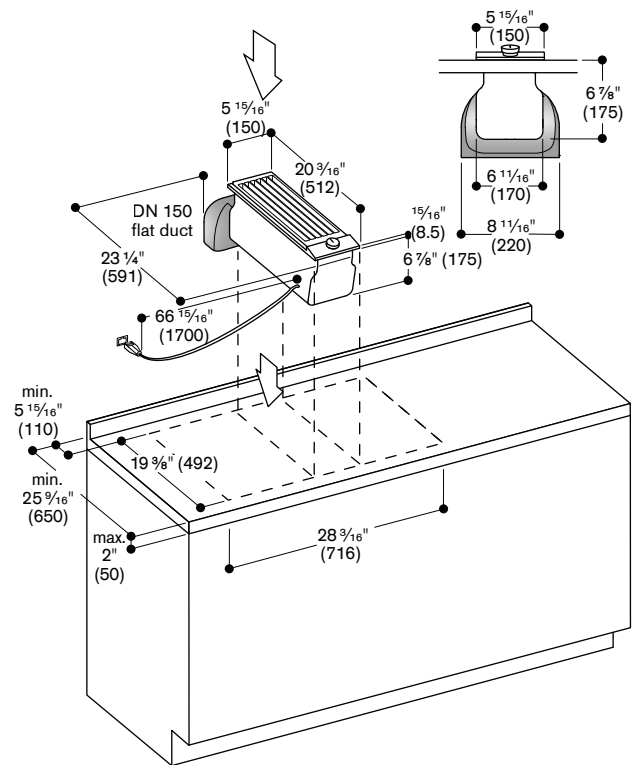
Consumption data is referred to a configuration with the recirculation blower AR 410 710.  
Sound level min. 56 dB / max. 76 dB.

#### Planning notes

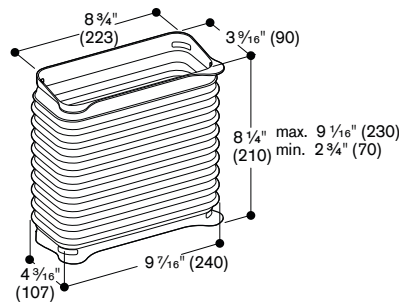
Air recirculation mode in combination with recirculation blower with AR 410 710 or AR 413 722.  
For each VL one blower unit is recommended.  
Maximum cooktop width between 2 VL downdraft units: 24" (60 cm).  
If installed next to gas appliances, the air deflector LS 041 001 is recommended to ensure maximum performance of the cooktop.  
When having installed the air deflector LS 041 001 the wok pan WP 400 001 can not be used.

#### Rating

120 V / 60 Hz  
Connecting cable 66" (1.7m) between VL and recirculation/inline blower.



AD 410 040: Flexible connection piece for VL 200, DN 150 flat



AD 851 041: Connecting piece VL 200 for extension with flat duct DN 150 for extra deep countertop

