

Gaggenau	
en	Instruction manual 2
fr	Notice d'utilisation 33
es	Instrucciones de uso 65

RF463704

RF463705

Freezer
Congélateur
Congelador

en Table of contents

Important safety instructions	4	Setting the touch field color	17
Definitions	4	Setting the touch field tone type.	17
About these instructions	4	Setting the touch field tone volume	17
Introduction	4	Setting the signal tone volume	17
Risk of explosion	4	Switching the water filter counter on and off	18
Risk of electric shock	5	Dimming when door is opened and closed	18
Risk of cold burns	5	Ice and water dispenser light	18
Risk of Injury	5	Ice and water dispenser proximity sensor	18
Risk of fire	5	Setting the temperature unit	18
Avoiding placing children and vulnerable people at risk	6	Setting the language	19
Damage	6	Resetting to the factory settings	19
Weight	6	Switching demo mode on or off	19
State of California Proposition 65 Warnings	6	Rest mode	19
Intended use	7	Automatic door opening	20
Environmental protection	7	Home network	20
Packaging	7	Automatic display lock for cleaning	20
Old appliances	7	Alarm	20
Installation and connection	8	Door alarm	20
Contents of package	8	Home Connect	21
Technical data	8	Setting up Home Connect	21
Installing the appliance	8	Connecting the refrigerator to the Home Connect app	22
Check built-in cut-out	8	Installing updates for the Home Connect software	22
Side-by-side installation	8	Customer Service access	22
Saving energy	9	Deleting network settings	23
Before using for the first time	10	Information on data protection	23
Water connection	10	Freezer compartment	23
Electrical connection	10	Fully utilizing the freezer volume	23
Getting to know your appliance	11	Purchasing frozen food	23
Appliance	11	When loading products	24
Operating controls	11	Freezing fresh food	24
Ice and water dispenser	12	Thawing frozen food	25
Equipment	13	Ice and water dispenser	25
Operating the appliance	15	Before using for the first time	25
Switching the appliance on	15	Observing drinking water quality	25
Switching off and disconnecting the appliance	15	Information on operation of the ice maker	25
Setting the temperature	15	Dispensing ice and water	26
Fast freezing	15	Defrosting	26
Display lock for cleaning	16	Freezer compartment	26
Switching ice cube production on or off	16	Cleaning	26
Eco mode	16	Care instructions for stainless steel surfaces	26
Reset water filter counter	16	Cleaning the display	27
Self-test	16	Cleaning the fittings	27
Setting the brightness of the control panel	16		
Setting the display screen	17		

Noises	28
Normal noises	28
Preventing noises	28
Lighting	28
Faults – what to do?	29
Appliance	29
Dispenser	30
Customer service	32
Appliance self-test	32
Repair order and advice on faults	32



Important safety instructions

READ INSTRUCTIONS - DO NOT DISCARD!

Definitions



WARNING

Non-observance of this warning could result in death or serious injuries.



CAUTION

Non-observance of this warning could result in slight or moderately serious injuries.

NOTICE

Non-observance of this information could damage the appliance.

Note: This indicates important information and/or tips.

About these instructions

- Read and follow the operating and installation instructions. They contain important information on how to install, use and maintain the appliance.
- The manufacturer is not liable if you disregard the instructions and warnings in the operating and installation instructions.
- Retain all documents for subsequent use or for the next owner.

Introduction

- This appliance complies with the relevant safety regulations for electrical appliances.
- The refrigeration circuit has been checked for leaks.

Risk of explosion

- Never use electric devices inside the appliance (e.g. heaters or electric ice makers).
- Do not store products which contain flammable propellants (e.g. spray cans) or explosive substances in the appliance.
- Only store high-proof alcohol tightly closed and standing up.
- Do not use other means to accelerate the defrosting process other than those recommended by the manufacturer.



Important safety instructions

READ INSTRUCTIONS - DO NOT DISCARD!

Risk of electric shock

Improper installations or repairs may put the user at considerable risk.

- When installing the appliance, make sure that the power cord does not get jammed or is not damaged.
- If the power cord is damaged, immediately disconnect appliance from the power supply.
- Do not use multiple outlets, extension leads, or adapters.
- Before servicing or modifying the appliance, pull out the power plug or switch off the circuit breaker. Before cleaning the appliance, press **main On/Off switch** to switch the appliance off. Glass shelves or other fittings can be safely moved while the appliance is switched on.
- Never cut through or remove the power cord's third conductor (earthing conductor).
- Never defrost or clean the appliance with a steam cleaner. The steam may penetrate electrical parts and cause a short circuit.
- The appliance, cable and accessories should only be repaired or replaced by the manufacturer, customer services, or a similarly qualified person.
- Only use original parts supplied by the manufacturer.

Risk of cold burns

- Never put frozen food straight from the freezer compartment into your mouth.
- Avoid prolonged contact of skin with frozen food, ice and the tubes in the freezer compartment.

Risk of Injury

Containers which contain carbonated drinks may burst.

Do not store containers which contain carbonated drinks in the freezer compartment.



Risk of fire

Portable multi-outlet power strips and portable power supplies may overheat, causing a fire.

Never leave portable multi-outlet power strips or portable power supplies behind the appliance.



Important safety instructions

READ INSTRUCTIONS - DO NOT DISCARD!

Avoiding placing children and vulnerable people at risk

At risk are:

- Children,
- People who have limited physical, mental or sensory abilities,
- People who have inadequate knowledge concerning safe operation of the appliance.

Measures:

- Never allow children to play with the appliance.
- Ensure that children and vulnerable people have understood the hazards.
- Supervise children who are cleaning and maintaining the appliance.

Risk of suffocation

- If the appliance features a door lock: keep the key out of the reach of children.
- Keep children away from the packaging and its parts.

Damage

To avoid damage:

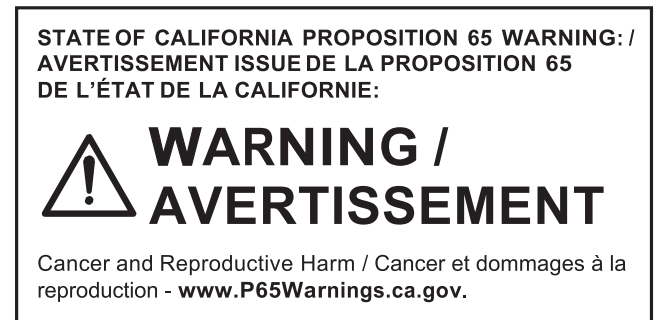
- Do not stand or lean on the base, runners or doors.
- Keep plastic parts and door seals free of oil and grease.
- Pull the power plug – not the power cord.

Weight

The appliance is very heavy. The appliance should always be transported and set up by at least 2 people.
→ *"Installing the appliance" on page 8*

State of California Proposition 65 Warnings

This product may contain a chemical known to the State of California, which can cause cancer or reproductive harm. Therefore, the packaging of your product may bear the following label as required by California:



Intended use

Use this appliance

- only for freezing food, making ice and dispensing drinking water.
- only in the home and in the home environment.
- only according to these operating instructions.

This appliance is intended for use at an elevation of no more than 2000 meters above sea level.

Environmental protection

Packaging

All materials are environmentally safe and recyclable:

- Dispose of packaging in an environmentally responsible manner.
- Please ask your dealer or inquire at your local authority about current means of disposal.

Old appliances

Valuable raw materials can be reclaimed by recycling old appliances.

WARNING

Children may become locked in the appliance and suffocate!

Before disposing of your old appliance:

- Remove the door.
 - Leave shelves and bins in the appliance to prevent children from climbing in.
 - Keep children away from the discarded appliance.
-

CAUTION

Refrigerant and harmful gases may escape.

Do not damage the tubes of the refrigeration circuit and insulation.

1. Pull out the power plug.
2. Cut through the power cord.
3. Have the appliance disposed of properly.

Installation and connection

Contents of package

After unpacking all parts, check for any damage during transport.

If you have any complaints, please contact the dealer from whom you purchased the appliance or our customer service.

→ *"Customer service" on page 32*

The delivery consists of the following parts:

- Built-in appliance
- Interior fittings (depending on model)
- Installation material
- Instruction manual
- Installation instructions
- Customer service booklet
- Warranty enclosure
- Information on the energy consumption and noises

Technical data

Refrigerant, cubic capacity and further technical specifications can be found on the rating plate.

→ *"Getting to know your appliance" on page 11*

Installing the appliance

Installation location

The weight of the appliance may be up to 460 kg depending on the model. The base must be sufficiently stable and should not give. If necessary, reinforce the floor.

Check built-in cut-out

The cut-out must fulfill these criteria:

- Anti-tilt bracket must be fitted
- Cut-out depth min. 24" (610 mm), for flush installation 25" (635 mm)
- rectangular
- stable – the side panels and the top must be min. 5/8" (16 mm) thick and securely attached to the floor or wall
- Depth of shortest side panels min. 4" (100 mm)

Side-by-side installation

Observe the specifications in the installation instructions for a side-by-side installation.

If a partition wall is required between the appliances it must be at least 5/8" (16 mm) wide.

Saving energy

If you follow the instructions below, your appliance will use less power.

Note: The arrangement of the fittings does not affect the energy consumption of the appliance.

Installing the appliance

Keep the appliance out of direct sunlight.	The appliance needs to cool less frequently at low ambient temperatures and therefore consumes less power.
Install the appliance as far away as possible from heating elements, cooker and other heat sources: At least 1¼" (3 cm) from electric or gas cookers. At least 11¼" (30 cm) from oil or solid-fuel cookers.	
Select an installation location at a room temperature of approx. 68 °F (20 °C).	
Do not cover or block the ventilation openings. Ventilate the room daily.	The appliance needs to cool less frequently if the warm air can escape and therefore consumes less power.

Using the appliance

Open the appliance door only briefly.	The air in the appliance does not warm up so intensely.
Transport purchased food in a cool bag and place in the appliance quickly.	The appliance needs to cool less frequently and therefore consumes less power.
Allow warm food and drink to cool down before placing in the appliance.	
Thaw frozen food in the refrigerator compartment to utilize the low temperature of the frozen food.	
Always leave a space between the food and the back panel.	The air can circulate and the humidity will remain constant. The appliance needs to cool less frequently and therefore consumes less power.
Pack food airtight.	
Do not cover or block the ventilation openings. Vacuum the ventilation openings once a year.	The appliance consumes less power if the warm air can escape.

Before using for the first time

1. Remove information material, adhesive tape and protective foil.
2. Clean the appliance.
→ "Cleaning" on page 26

Water connection

CAUTION

Installation and connection of the appliance must be carried out by authorized technicians according to the installation instructions supplied.

CAUTION

To avoid damage to the appliance and to ensure its proper functioning, it should only be connected to a drinking water system.

CAUTION

To avoid water damage, a shut-off valve must be installed.

Water pressure of drinking water system

CAUTION

To avoid damage to the appliance, a pressure relief valve must be installed between the drinking water connection and the tubing, should the water pressure exceed the maximum value.

Note: If the water pressure is too low, this will impair the relevant functions of the appliance.

- Min. 0.2 Mpa (2 bar / 29 psi)
- Max. 0.8 Mpa (8 bar / 116 psi)

Electrical connection

CAUTION

Do not connect the appliance to electronic energy saver plugs.

Note: You can connect the appliance to mains-controlled and sine-controlled inverters.

Mains-controlled inverters are used for photovoltaic systems which are connected directly to the national grid. Sine-controlled inverters must be used for isolated applications. Isolated applications, e.g. on ships or in mountain lodges, are not directly connected to the national grid.

1. After installing the appliance, wait at least 1 hour before connecting it to prevent damaging the compressor.
2. Check that the outlet was installed according to the regulations and complies with the requirements.

Requirements for outlets

Outlet with	110 V ... 120 V
Protective conductor	60 Hz
Fuse	10 A ... 16 A

Maximum simultaneous load

Appliance	6 A
-----------	-----

3. Connect the appliance to an outlet near the appliance. The outlet must also be freely accessible following installation of the appliance.

WARNING

Risk of electric shock!

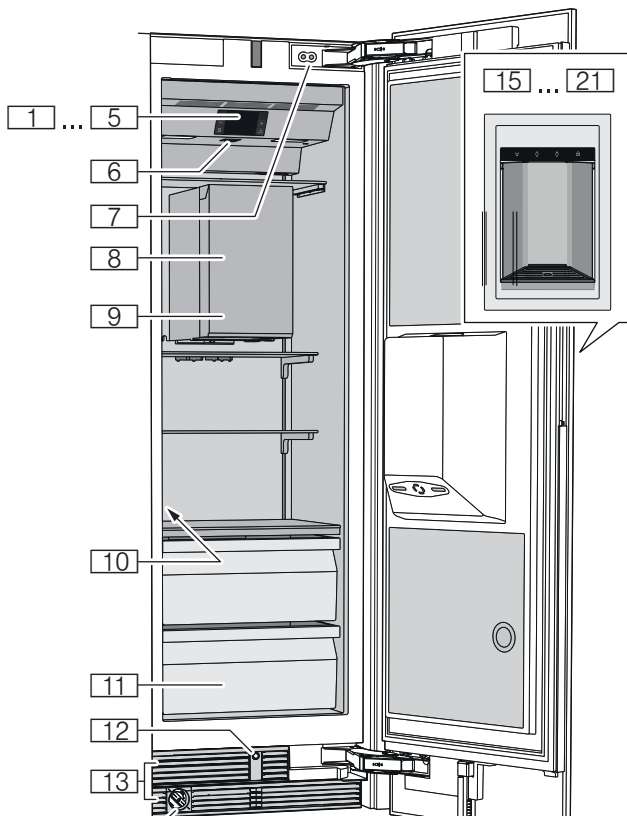
Never use multiple outlets, extension cords or adapters.

The appliance must be grounded correctly. Never cut through or remove the power cord's third conductor (grounding conductor).

Risk of electric shock!

If the power cord is too short, never use multiple outlets or extension cords. Instead, please contact Customer Service.

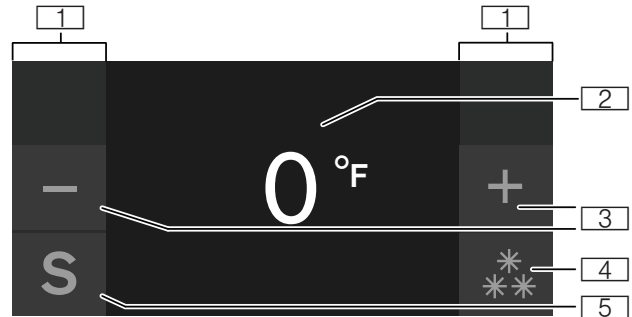
Getting to know your appliance



Appliance

- 1...5** Operating controls
- 6** Main On/Off switch
- 7** Door damper
- 8** Ice maker
- 9** Ice cube bin
- 10** Rating plate
- 11** Frozen food container
- 12** Automatic door opening
- 13** Ventilation opening
- 14** Water filter
- 15...21** Dispenser

Operating controls



- 1** Touch fields
There are sensors under the touch fields. Touching the symbol calls up the respective function.
- 2** Freezer compartment temperature display
Indicates the set temperature in °C/°F.
- 3** -/+ buttons
Used to change the temperature.
- 4** ❄️/❄️ button
Switches fast freezing on or off.
- 5** S button
Opens main menu.

Main menu

Press **S** button to open the main menu.

In the main menu you can find:

- Basic settings
- Display lock for cleaning
- Ice cube production
- Eco mode
- Reset water filter counter
- Self-test
- Rest mode (when active)

→ "Operating the appliance" on page 15

Basic settings menu

To access the **Basic settings** menu:

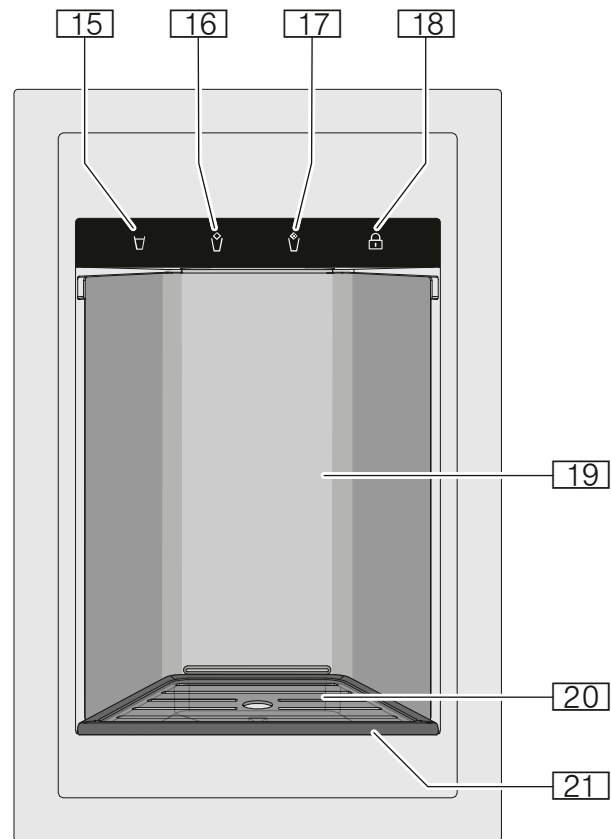
1. Press **S** button.
2. Press **<** button to move to the menu item **Basic settings**.
3. Open the menu using **✓** button.

In the **Basic settings** menu you will find the following sub-menus and setting options:

- Brightness
- Display screen
- Touch field color
- Touch field tone type
- Touch field tone volume
- Signal tone volume
- Water filter counter
- Dimming when door is opened and closed
- Ice and water dispenser light
- Ice and water dispenser proximity sensor
- Temperature unit
- Language
- Factory settings
- Demo mode
- Rest mode
- Automatic door opening
- Home network
- Automatic display lock for cleaning

→ "Operating the appliance" on page 15

Ice and water dispenser

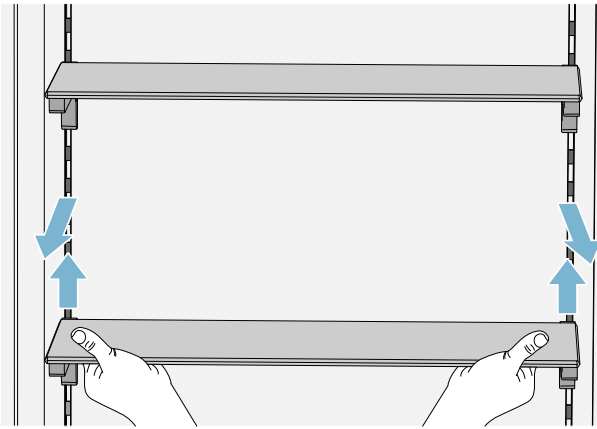


- 15** **WATER** button
Starts water dispensing.
- 16** **CUBED** button
Starts ice cube dispensing.
- 17** **CRUSHED** button
Starts dispensing crushed ice.
- 18** **LOCK** button
Locks controls for dispenser panel lock (child lock). To switch on or off, hold down for 3 seconds.
- 19** Ice and water dispenser cover
- 20** Grate for drips
- 21** Drip tray

Equipment

Shelf

You can remove and adjust the shelf:



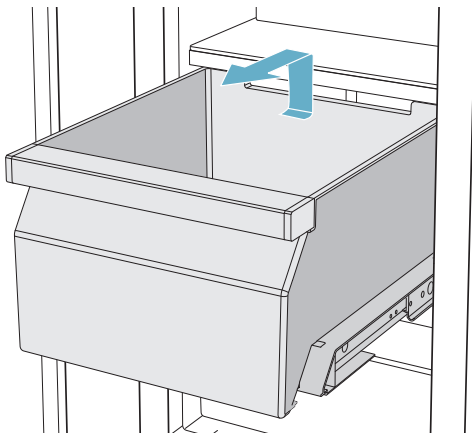
1. Lift shelf and remove.
2. When re-inserting, insert hooks on back of shelf at same height to make it level.

Note: Insert shelf carefully to avoid scratching the appliance.

Container

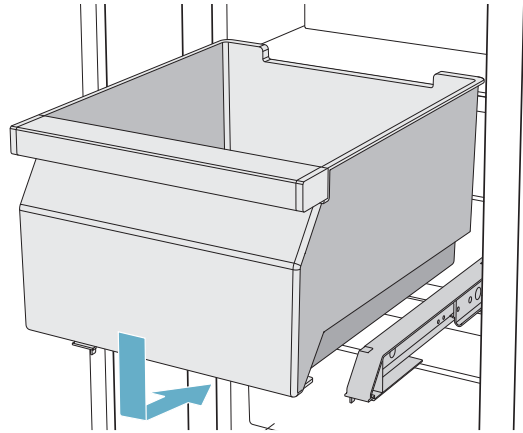
You can remove the container:

- Press container to the rear,
- lift the container at the rear and remove.



You can insert the bin:

- Pull out the telescopic rails all the way
- Place the bin on the telescopic rails and push into the appliance until it engages.



Ice pack

In the event of a power failure or a fault:

- The ice pack delays the warming of stored frozen food.

Note: The longest storage time is obtained by placing the ice pack on the food in the top compartment.

You can take out the ice pack to temporarily keep food cool, e.g. in a cool bag.

Ice maker

⚠ CAUTION

Damage to the appliance!

Never store bottles or food in the ice cube container, even for short periods. This can block and damage the ice maker.

Ice cube production starts as soon as the appliance has reached the set temperature.

Notes

- Discard the first 30-40 ice cubes for hygiene reasons.
- Ice cube production stops automatically when the ice cube container is full.

Information about switching ice cube production on and off

→ "Switching ice cube production on or off" on page 16

Water filter

Change the water filter after 6 months at the latest.

If the ice tastes stale, discard the rest of the ice cubes and the ones produced over the next 24 hours. If the ice still tastes stale, change the water filter.

Note: You can also use the appliance without a water filter. Replace the water filter with a bypass cartridge. Switch off the water filter counter. There is no need to change the bypass cartridge.

A new water filter or bypass cartridge can be obtained from customer service or a specialist dealer.

Exchange water filter or replace with bypass cartridge

You can change the water filter, or replace it with a bypass cartridge. The bypass cartridge can remain in the appliance permanently: it does not need to be changed.

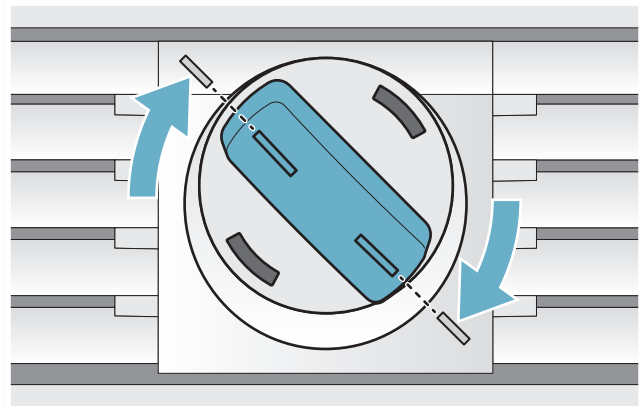
Note: After installing a water filter or a bypass cartridge, discard all ice cubes produced over the first 24 hours.

1. Turn the cap of the water filter counter-clockwise.
2. Take the water filter out.
3. Remove the protective cap of the new water filter or the new bypass cartridge.
4. Take off the cap of the used water filter and put it on the new water filter or bypass cartridge.
5. Slide the new water filter or bypass cartridge to the stop in the filter opening.

Note: The cap must be horizontal here.

6. Turn the water filter or bypass cartridge clockwise to the mark.

Note: If you do not turn the water filter or bypass cartridge far enough, damage will be caused by escaping water.



7. When installing a water filter: reset water filter counter.

When installing a bypass cartridge: switch off water filter counter.

8. Discard ice cubes produced over the first 24 hours.
9. Drain the water out of the used water filter.

Note: You can dispose of the used water filter with your household garbage.

Operating the appliance

Switching the appliance on

1. Press the **main On/Off switch**.

The appliance starts cooling and the light is switched on when the door is open.

2. Set the required temperature.
→ "Setting the temperature" on page 15

Operating tips

- When the appliance has been switched on, it may take several hours until the set temperatures have been reached. Do not put in any food until the selected temperature has been reached.
- The fully automatic NoFrost system ensures that the freezer compartment remains free of ice.
Defrosting is not required.
- The front sides of the housing are partly heated slightly. This prevents condensation in the area of the door seal.
- If the freezer compartment door cannot be immediately re-opened after it has been closed, wait until the resulting low pressure has equalized.

Switching off and disconnecting the appliance

Switching off the appliance

- Press the **main On/Off switch**.
The appliance is no longer cooling.

Disconnecting the appliance

CAUTION

Deterioration in water quality

The water supply must be turned off 3 hours before disconnecting. This prevents mold forming with any unused water.

If you do not use the appliance for a prolonged period:

1. Turn off the water supply to the appliance and wait 3 hours.
2. Remove groceries.
3. Press the **main On/Off switch**.
4. Pull out the mains plug or switch off the fuse.
The appliance is no longer cooling.
5. Empty the ice cube container and clean the appliance.
→ "Cleaning" on page 26
6. Leave appliance open.

Setting the temperature

Recommended temperature

Freezer compartment: 0 °F (-18 °C)

Freezer compartment

- Keep pressing **-/+** button until the display indicates the required temperature.

Fast freezing

Fast freezing cools the freezer compartment as cold as possible.

Switch on fast freezing e.g.:

- to freeze food solid as quickly as possible
- 4 ... 6 hours before freezing food weighing 2 kg or more
- to use the max. freezing capacity

Note: When fast freezing is switched on, increased operating noise may occur.

After approx. 2 ½ days the appliance switches to normal operation.

Switching fast freezing on or off:

- Press ****/*** button.

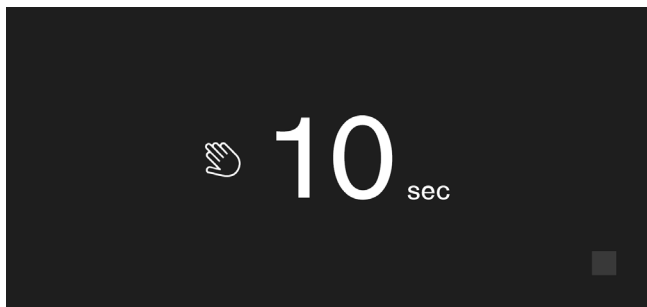
Display lock for cleaning

You can use this function to switch off the touch function of the controls for 10 seconds. During this time you can clean the display.

→ "Cleaning the display" on page 27

1. Press **S** button to open the main menu.
2. Press **▶** button.

The cleaning display appears, and the countdown starts.



Switching ice cube production on or off

⚠ CAUTION

Damage to the appliance!

Never store bottles or food in the ice cube container, even for short periods. This can block and damage the ice maker.

Ice cube production starts as soon as the appliance has reached the set temperature.

Note: Ice cube production stops automatically when the ice cube container is full.

Switching ice maker on or off

1. Press **S** button to open the main menu.
2. Press **▶** button to move to the menu item **Ice cube production**.
3. Press **▶/■** button.

Eco mode

Eco mode switches the appliance to energy-saving operation.

The appliance automatically sets the following temperatures:

- Freezer compartment: +3 °F (-16 °C)

Switching Eco mode on or off

1. Press **S** button to open the main menu.
2. Press **▶** button to move to the menu item **Eco mode**.
3. Press **▶/■** button.

The temperature is changed, and the display shows the new temperature. When Eco mode is switched off, the recommended temperature is set.

Note: You can also switch Eco mode on or off by adjusting the temperature with **-/+** buttons.

Reset water filter counter

After replacing the water filter, you have to reset the water filter counter.

1. Press **S** button to open the main menu.
2. Use **▶** button to move to the menu item **Reset water filter counter**.
3. Use **✓** button to confirm and confirm the query again with **✓** button.

Note: The water filter counter will not be reset if you abort the query or take longer than 10 seconds to make an input.

Self-test

This function can be used to start fault analysis on your appliance.

→ "Appliance self-test" on page 32

Setting the brightness of the control panel

1. Press **S** button to open the main menu.
2. Press **◀** button to move to the menu item **Basic settings**.
3. Press **✓** button.
4. Press **↘** button to open the menu item **Brightness**.
5. Press **◀▶** buttons to set the required brightness.
6. Press **✓** button.
The setting is saved.
7. Press **X** button to exit the menu.

Setting the display screen

You can choose between the settings **Reduced** and **Standard**. With the setting **Reduced** only the temperature and active special functions are displayed on the control panel after a short period without operation. If the touch fields are touched, all keys will be visible again.

With the setting **Standard** all keys always remain visible.

1. Press **S** button to open the main menu.
2. Press **<** button to move to the menu item **Basic settings**.
3. Press **✓** button.
4. Press **>** button to move to the menu item **Display screen**.
5. Press **_** button.
6. Press **<>** buttons to move to the required setting.
7. Press **✓** button.
The setting is saved.
8. Press **X** button to exit the menu.

Setting the touch field color

1. Press **S** button to open the main menu.
2. Press **<** button to move to the menu item **Basic settings**.
3. Press **✓** button.
4. Press **>** button to move to the menu item **Touch field color**.
5. Press **_** button.
6. Press **<>** buttons to move to the required setting.
7. Press **✓** button.
The setting is saved.
8. Press **X** button to exit the menu.

Setting the touch field tone type.

You can change or switch off the sound of the tones generated when pressing keys.

1. Press **S** button to open the main menu.
2. Press **<** button to move to the menu item **Basic settings**.
3. Press **✓** button to open the menu item.

4. Press **>** button to move to the menu item **Touch field tone type**.
5. Press **_** button to open the menu item.
6. Press **<>** buttons to select the required setting.
7. Press **✓** button.
The setting is saved.
8. Press **X** button to exit the menu.

Setting the touch field tone volume

You can adjust the volume level of the sounds generated when pressing keys.

1. Press **S** button to open the main menu.
2. Press **<** button to move to the menu item **Basic settings**.
3. Press **✓** button to open the menu item.
4. Press **>** button to move to the menu item **Touch field tone volume**.
5. Press **_** button to open the menu item.
6. Press **<>** buttons to select the required setting.
7. Press **✓** button.
The setting is saved.
8. Press **X** button to exit the menu.

Setting the signal tone volume

You can adjust the volume level of the signal tones generated e.g. with alarms.

1. Press **S** button to open the main menu.
2. Press **<** button to move to the menu item **Basic settings**.
3. Press **✓** button to open the menu item.
4. Press **>** button to move to the menu item **Signal tone volume**.
5. Press **_** button to open the menu item.
6. Press **<>** buttons to select the required setting.
7. Press **✓** button.
The setting is saved.
8. Press **X** button to exit the menu.

Switching the water filter counter on and off

If you have replaced the water filter with a particle filter, switch the water filter counter off. It is not needed in this case as the particle filter does not have to be replaced.

1. Press **S** button to open the main menu.
2. Press **<** button to move to the **Basic settings** menu.
3. Press **✓** button.
4. Press **>** button to move to the menu item **Water filter counter**.
5. To change the setting, press **_** button.
6. Confirm the selection by pressing **✓** button.

Dimming when door is opened and closed

If dimming is switched on, the light will slowly become brighter when the door is opened, and then slowly darker when it is closed.

Switching dimming on or off when opening and closing the door

1. Press **S** button to open the main menu.
2. Press **<** button to move to the menu item **Basic settings**.
3. Press **✓** button.
4. Press **>** button to move to the menu item **Dimming when door is opened and closed**.
5. Press **_** button.
6. Press **>** button to move to the menu item **On or Off**. Confirm by pressing **✓** button.

Ice and water dispenser light

Use this function to set how long the light will illuminate the ice and water dispenser.

Setting ice and water dispenser light

1. Press **S** button to open the main menu.
2. Press **<** button to move to the menu item **Basic settings**.
3. Press **✓** button to open the menu item.
4. Press **>** button to move to the menu item **Ice and water dispenser light**.

5. Press **_** button to open the menu item.
6. Press **>** button to select the required duration.
7. Press **✓** button.
The setting is saved.
8. Press **X** button to exit the menu.

Ice and water dispenser proximity sensor

When the proximity sensor is switched on, the ice and water dispenser light switches on automatically as soon as a glass is held underneath.

Switching proximity sensor on or off

1. Press **S** button to open the main menu.
2. Press **<** button to move to the menu item **Basic settings**.
3. Press **✓** button to open the menu item.
4. Press **>** button to move to the menu item **Motion sensor**.
5. Press **_** button to open the menu item.
6. Press **<** **>** buttons to move to the required setting.
7. Press **✓** button.
The setting is saved.
8. Press **X** button to exit the menu.

Setting the temperature unit

You can choose between the unit °C and °F.

1. Press **S** button to open the main menu.
2. Press **<** button to move to the menu item **Basic settings**.
3. Press **✓** button.
4. Press **<** button to move to the menu item **Temperature unit**.
5. Press **_** button.
6. Press **<** **>** buttons to move to the required unit.
7. Press **✓** button.
The unit will be changed.
8. Press **X** button to exit the menu.

Setting the language

1. Press **S** button to open the main menu.
2. Press **<** button to move to the menu item **Basic settings**.
3. Press **✓** button.
4. Press **<** button to move to the menu item **Language**.
5. Press **_** button.
6. Press **< >** buttons to move to the required language.
7. Press **✓** button.
The display restarts, and the start screen is displayed.

Resetting to the factory settings

1. Press **S** button to open the main menu.
2. Press **<** button to move to the menu item **Basic settings**.
3. Press **✓** button.
4. Press **<** button to move to the menu item **Factory settings**.
5. Press **_** button.
A signal tone sounds, and a message to confirm reset appears.
6. Press **✓** button.
All settings are reset to the factory settings.
7. Press **X** button to exit the menu.

Switching demo mode on or off

The cooling function of the appliance is switched off. All other functions can be used.

Note: Do not store any food items in demo mode as the appliance remains at room temperature.

1. Press **S** button to open the main menu.
2. Press **<** button to move to the menu item **Basic settings**.
3. Press **✓** button.
4. Press **<** button to move to the menu item **Demo mode**.
5. Press **_** button.
6. Press **< >** buttons to select the setting **On** or **Off**.
7. Press **✓** button.
The setting is saved.
8. Press **X** button to exit the menu.

Rest mode

The appliance switches off the following:

- Automatic door opening
Note: With handle-free installation, please note that you will not be supported when opening the door during this time. To open the door in this case, reach from below under the bottom panel of the unit.
- Ice maker
- Audible signals
- Interior light
- Messages on the display
- Background illumination of display is reduced

Switching Rest mode on or off

Displaying or hiding rest mode in the main menu

To use rest mode, you first have to display the function in the main menu:

1. Press **S** button to open the main menu.
2. Press **<** button to move to the menu item **Basic settings**.
3. Press **✓** button.
4. Press **<** button to move to the menu item **Rest mode**. Press **_** button.
5. Press **>** buttons to move to the menu item **Available** or **Not available**. Confirm by pressing **✓** button.
6. Press **X** button to exit the menu.

The function is displayed or hidden in the main menu.

Switching rest mode on

1. Press **S** button to open the main menu.
2. Press **Ⓢ** button to open the view **Rest mode duration**.
3. Press **-/+** buttons to change the duration.
4. Press **▶** button to start.
The appliance switches all listed functions off.

Switching rest mode off

- After the selected time elapses, the appliance switches over to normal operation.
- To end rest mode before expiry of the selected time, press **■** button.

Automatic door opening

The automatic door opening function supports you in opening the door.

As soon as you activate this function, automatic door opening moves out and supports you in opening the door.

CAUTION

Repeatedly closing the door too early will cause automatic door opening to wear out or fail.

Do not close the door as long as automatic door opening is still moved out.

If you have nevertheless closed the door, leave it closed for 5 minutes. Automatic door opening will re-adjust itself.

Open the menu item **Automatic door opening**:

1. Press **S** button to open the main menu.
2. Press **<** button to move to the **Basic settings** menu.
3. Press **✓** button to open the menu.
4. Press **<** button to move to the menu item **Automatic door opening**.
5. To change the setting, press **_** button.

Switching on Push-to-open system

In an installation situation without handles you can select the Push-to-open system. Your appliance will then open a crack if you press lightly on the door.

Note: Please note that automatic door opening is disabled if Rest mode is activated.

1. Open the menu item **Automatic door opening**.
2. Select menu item **Push-to-open system**.
3. Press **✓** button to open the menu item.
4. Select **Opening force**. Here you can select the level of force required to activate automatic door opening.
5. Select **Opening duration**. Here you can select how long the door should remain open a crack before it closes again automatically.

Note: If the door only remains open a crack, the appliance checks once a second whether the door is still ajar. After the selected opening duration elapses, the appliance will close the door automatically.

Switching on Pull-to-open system

In an installation situation with handles you can select the Pull-to-open system. Your appliance will support you in opening the door as soon as you pull on the handle.

1. Open the menu item **Automatic door opening**.
2. Select menu item **Pull-to-open system**.
3. Press **✓** button to open the menu item.
4. Select **Opening force**. Here you can select the level of force required to activate automatic door opening.

Switching off automatic door opening

1. Open the menu item **Automatic door opening**.
2. Select menu item **Off**.

Home network

You can use this function to establish a connection between the refrigerator and your mobile device.

→ "Home Connect" on page 21

Automatic display lock for cleaning

You can use this function to select whether the automatic clean lock is switched on automatically when the door is opened.

1. Press **S** button to open the main menu.
2. Press **<** button to move to the menu item **Basic settings**.
3. Press **✓** button.
4. Press **<** button to move to the menu item **Automatic display lock for cleaning**.
5. To change the setting, press **_** button.

Alarm

Door alarm

If the appliance door is open for a long time, the door alarm (continuous audible signal) switches on.

- Close door.
The audible warning signal is switched off.

Home Connect

This appliance is Wi-Fi-capable and can be controlled remotely using a mobile device.

Note: Wi-Fi is a registered trade mark of the Wi-Fi Alliance.

In the following cases, the appliance functions like a refrigerator without a network connection and can still be operated manually via the controls:

- The appliance is not connected to a home network.
- The availability of the Home Connect function depends on the availability of Home Connect services in your country. Home Connect services are not available in every country. You can find more information on www.home-connect.com.

Note: Please observe the safety information in this instruction manual. Ensure that this is also observed if you operate the appliance via the Home Connect app and are not at home when doing so.

→ *"Important safety instructions" on page 4*

Follow the instructions in the Home Connect app as well.

Setting up Home Connect

Notes

- Wait at least 2 minutes after switching on the appliance before setting up Home Connect. Only then is internal appliance initialization complete.
- Take note of the Home Connect supplementary sheet, which is supplied with the appliance or is available for download at www.gaggenau.com together with the instructions. Enter the E-number of your appliance in the search field.

You can connect your appliance to the home WLAN network (Wi-Fi) in 3 basic steps.

1. Install the app.
2. Connect your refrigerator to the home WLAN network (Wi-Fi).
3. Connect the refrigerator to the Home Connect app.

Home network menu

Here is how to open the **Home network** menu:

1. Press **S** button to open the main menu.
2. Press **<** button to move to the menu item **Basic settings**.
3. Press **✓** button to open the menu item.
4. Press **<** button to move to the menu item **Home network**.
5. Press **_** button to open the menu item.

Note: The first time you open the menu, you will be automatically guided through initial setup. Follow the instructions on the control panel. For further information, please also see the following chapters.

6. Press **< >** buttons to select the required submenu.
7. Press **X** button to exit the menu.

The following sub-menus can be found in the **Home network** menu:

- Connection
- Connect to app
- Software update
- Delete network settings

Setting up the connection to the home network

The first time you open the menu, you will be automatically guided through initial setup. Follow the instructions on the control panel.

1. Install the **Home Connect** app on your mobile device.
2. Open the **Home network** menu on your refrigerator.
3. Open the app on your mobile device.
4. Log in or register with the app if access is not yet available.
5. Check the router of your home network to see if a WPS function is available for automatic connection.
6. If this function is available, start automatic network connection with **✓** button.

Follow the instructions on the control panel.

7. Start manual network connection if this function is not available, if you're not sure whether the function is available, or if automatic network connection failed.

The refrigerator temporarily generates its own network for connecting the mobile device.

8. Start manual network connection in the app of your mobile device.

As soon as the refrigerator is connected to the mobile device, a connection between the refrigerator and your home network is established.

Note: If the connection cannot be established, check whether there is sufficient reception.

→ *"Verifying signal strength" on page 22*

Verifying signal strength

The signal strength is displayed in the start window of the **Home network** menu. The signal strength should be at least 50 %. If the signal strength is too weak, the connection may be interrupted.

Improving signal strength

- Place the router closer to the refrigerator.
- Check that screening walls do not interfere with the connection.
- Install a repeater to make the signal stronger.

Connecting the refrigerator to the Home Connect app

Use this menu to connect your refrigerator to mobile devices.

1. Install the **Home Connect** app on your mobile device and log in or register.
2. Open the **Home network** menu on your refrigerator.
→ *"Setting up Home Connect" on page 21*
3. Press > button to move to the menu item **Connect to app**.
4. Press _ button to open the menu item.
5. Confirm the message to display the refrigerator in the app.
6. Open the app and wait until the refrigerator is displayed.
Press **Add** to confirm the connection between the app and the refrigerator.

If the refrigerator is not automatically displayed, click on **Add appliance** in the app and follow the instructions. As soon as your refrigerator is displayed, add it with +.

7. Follow the instructions in the app until the process is complete.

Installing updates for the Home Connect software

The refrigerator checks at regular intervals whether updates are available for the Home Connect software.

If an update is available, a little exclamation mark **S** appears on the **S** button.


Installing the update:

1. Press **S** button.
The special menu **Home network note** opens.
2. Press ✓ button to open the menu item.
A note window with the necessary steps for installing the new software appears.
3. To close the note window, press ✓ button.
4. Open the **Home network** menu on your refrigerator.
→ *"Setting up Home Connect" on page 21*
5. Press > button to move to the menu item **Software update**.
6. Press _ button to open the menu item.
Note: The _ button is only visible if an update is available.
The software is installed.
7. A note appears when installation is complete.
8. Press ✓ button to close the note.

Customer Service access

If you contact Customer Service, they can access your appliance and view its status after you have given your consent. You need to have your appliance connected to your home network for this.

Further information about Customer Service access and its availability in your country is available under www.home-connect.com in the Help & Support area.

1. Contact Customer Service.
→ *"Customer service" on page 32*
2. Confirm the start of Customer Service access in the app.
During Customer Service access the symbol  appears on the control panel.
3. As soon as Customer Service has obtained the necessary data, they end access.

Note: You can interrupt remote diagnosis early by switching off Customer Service access in the Home Connect app.

Deleting network settings

If there is a problem when trying to establish a connection, or if you would like to register the appliance in a different home network (WLAN), the Home Connect settings can be reset.

1. Open the **Home network** menu on your refrigerator.
→ "Setting up Home Connect" on page 21
2. Press **>** button to move to the menu item **Delete network settings**.
3. Press **_** button to open the menu item.
4. Confirm the message to delete the network settings.

To then reconnect the appliance to the home network, perform initial setup again.

→ Page 21

Information on data protection

The first time your Home Connect appliance is registered on a WLAN home network connected to the Internet (Wi-Fi), your appliance will transmit the following types of data to the Home Connect server (initial registration):

- Unique appliance identification (consisting of appliance codes as well as the MAC address of the installed Wi-Fi communication module).
- Security certificate of the Wi-Fi communication module (to ensure a secure data connection).
- The current software and hardware version of your domestic appliance.
- Status of any previous resetting to factory settings.

This initial registration prepares the Home Connect functions for use and is only required when you want to use these Home Connect functions for the first time.

Note: Please note that the Home Connect functions can be utilized only in conjunction with the Home Connect app. Information on data protection can be called up in the Home Connect app.

Freezer compartment

The freezer compartment is suitable for:

- storing frozen food
- making ice cubes
- freezing food

The temperature can be set from -11 °F (-24 °C)... +7 °F (-14 °C).

The freezer compartment can be used to store perishable foods long-term almost without any noticeable reduction in quality, as the low temperatures considerably slow down or stop deterioration. Appearance, flavor and all valuable ingredients are largely retained.

The time between putting fresh food in the freezer compartment and it freezing solid depends on the following factors:

- temperature set
- type of food
- amount of food in the freezer compartment
- quantity and type of storage

Fully utilizing the freezer volume

To place the maximum quantity of frozen food in the freezer compartment:

- Remove all fittings.
- Store food directly on the shelves and on the floor of the freezer compartment.

Purchasing frozen food

- Ensure the packaging is not damaged.
- Check there is a sell-by date.
- The temperature in the supermarket freezer must be 0 °F (-18 °C) or lower.
- Do not interrupt the freezing chain. If possible, transport frozen food in a cool bag and place in the freezer compartment quickly.

When loading products

- Freeze large quantities of food in the top compartment.
This is where it will freeze especially quickly and gently.
- Distribute food in the compartments or frozen food containers.
- Do not bring food which is to be frozen into contact with frozen food.
If required, restack frozen food in the frozen food containers.
- Important for unrestricted air circulation in the appliance:
push in frozen food containers up to the limit stop.

Freezing fresh food

Freeze only fresh and undamaged food.

Food which is boiled, fried or baked is more suitable for freezing than food which is eaten raw.

Before freezing food, make preparations appropriate to the food in order to retain the best possible nutritional value, flavor and color:

- Vegetables: wash, chop, blanch.
- Fruit: wash, pit and perhaps peel, possibly add sugar or ascorbic acid solution.

Information on how to do this can be found in relevant literature.

Suitable for freezing

- Baked goods
- Fish and seafood
- Meat
- Poultry and game
- Vegetables, fruit and herbs
- Eggs without shells
- Dairy products, e.g. cheese, butter and quark
- Ready meals and leftovers, e.g. soups, stews, cooked meat and fish, potato dishes, soufflés and desserts

Not suitable for freezing

- Types of vegetables which are usually eaten raw, e.g. lettuce or radishes
- Unpeeled or hard-boiled eggs
- Grapes
- Whole apples, pears and peaches
- Yoghurt, soured milk, sour cream, creme fraiche and mayonnaise

Packing frozen food

The correct type of packaging and material selection are decisive factors in the retention of the product quality and prevent the development of freezer burn.

1. Place food in packaging.
2. Remove air.
3. Pack food airtight to prevent it from losing flavor or drying out.
4. Label packaging with contents and date of freezing.

Suitable packaging:

- Plastic foil
- Tubular foil made of polyethylene (PE)
- Aluminum foil
- Freezer containers

Suitable closures:

- Rubber bands
- Plastic clips
- Cold-resistant adhesive tape

Unsuitable packaging:

- Wrapping paper
- Greaseproof paper
- Cellophane
- Garbage bags and used grocery bags

Shelf life of frozen food at 0 °F (-18 °C)

Fish, sausage, ready meals, and cakes and pastries: up to 6 months

Meat, poultry: up to 8 months

Vegetables, fruit: up to 12 months

Thawing frozen food

The thawing method must be adjusted to the food and application in order to retain the best possible product quality.

Thawing methods:

- in the refrigerator compartment (especially suitable for animal-based foods such as fish, meat, cheese, quark)
- at room temperature (bread)
- in the microwave (food for immediate consumption or immediate preparation)
- in the oven/cooker (food for immediate consumption or immediate preparation)

CAUTION

Do not refreeze partly or completely thawed food. You can only refreeze food once it has been cooked (boiled or fried).

The frozen food can no longer be stored for the maximum duration.

Ice and water dispenser

You can use the ice and water dispenser to dispense:

- cooled water
- crushed ice
- ice cubes

Before using for the first time

WARNING

Risk of Injury!

Never reach into the dispenser opening of the ice cube container.

CAUTION

Do not place bottles or food in the ice cube container. This can block and damage the ice maker.

Notes

- The ice and water dispenser only works when the appliance is connected to a drinking water pipeline.
- Dispose of the first 5 glasses of water and the first 30-40 ice cubes for hygienic reasons

When the appliance has been connected, there may be air in the water circuit. Keep dispensing water until there are no more air bubbles in it.

It takes approx. 24 hours until the first serving of ice cubes is ready.

Observing drinking water quality

All materials used in the ice and water dispenser are odorless and tasteless.

If the water has an aftertaste, this may be due to the following causes:

- Mineral content and chlorine content of the drinking water
- Material of the water pipeline
- Freshness of the drinking water.

Note: If you dispense water again after a long time, it may taste stale. In this case, dispose of the first 15 glasses.

You will obtain the best water quality if you dispense a little water regularly.

The supplied water filter will filter only particles out of the water, not bacteria or microbes.

Information on operation of the ice maker

Ice cube production starts as soon as the freezer compartment has reached the set temperature.

The ready ice cubes are automatically discharged into the ice cube container.

Ice cube production stops as soon as the ice cube container is full.

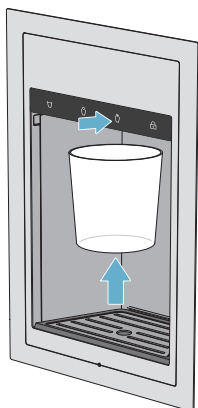
Note: You can accelerate ice production by setting a colder freezer compartment temperature. This will slightly increase energy consumption.

Dispensing ice and water

Notes

- To prevent the ice from falling on the floor, hold the glass directly under the dispenser when dispensing crushed ice.
- To prevent water damage, the water dispenser automatically stops after 30 seconds of continuous dispensing. If you want to dispense more water, wait 5 seconds and then press the button again.
- The dispensed water is cooled to a palatable temperature. To obtain a colder drinking temperature, put more ice cubes in the glass.
- The water may become warmer when dispensing large amounts of water.

1. Hold the glass under the ice and water dispenser.
2. Keep pressing the dispensing button until the required quantity of ice or water is in the glass.



Defrosting

Freezer compartment

The fully automatic NoFrost system ensures that the freezer compartment remains free of ice. Defrosting is no longer required.

Cleaning

⚠ CAUTION

Avoid damaging the appliance and the equipment.

- Do not use abrasive, chloride-based or acidic cleaning agents or solvents.
- Do not use scouring or abrasive sponges. The metallic surfaces may corrode.
- Never clean the shelves or bins in the dishwasher. The parts may become deformed.

Proceed as follows:

1. Press the **main On/Off switch**.
2. Take out food and store in a cool location. Place ice pack (if available) on the food.
3. Clean the appliance with a soft cloth, lukewarm water and a little pH-neutral washing-up liquid.

⚠ CAUTION

The rinsing water must not run into the light or through the drainage hole into the evaporation area.

4. Wipe door seal with clear water and dry thoroughly with a cloth.
5. Switch appliance back on and put in food.

Care instructions for stainless steel surfaces

When taking care of and cleaning stainless steel surfaces, use only cleaning agents suitable for stainless steel and a stainless steel cleaning cloth.

You can purchase a suitable stainless steel cleaning cloth from customer service.

To prevent visible scratches, clean the stainless steel surface in the direction of the structure.

Cleaning the display

The change in temperature and humidity can cause the controls to steam up.

Switch the clean lock on before cleaning.

→ "Display lock for cleaning" on page 16

Use a clean micro-fiber cloth for cleaning.

Cleaning the fittings

To clean, take the variable parts out of the appliance.

→ "Equipment" on page 13

Ice cube container

⚠ CAUTION

A full ice cube container is heavy:

Pull the container out with both hands.

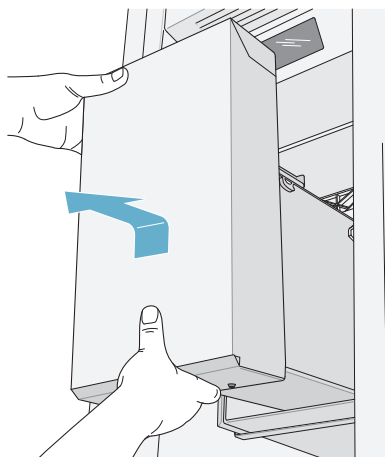
⚠ CAUTION

Risk of cold burns:

Avoid prolonged contact of the skin with frozen food, ice and metal surfaces in the freezer compartment.

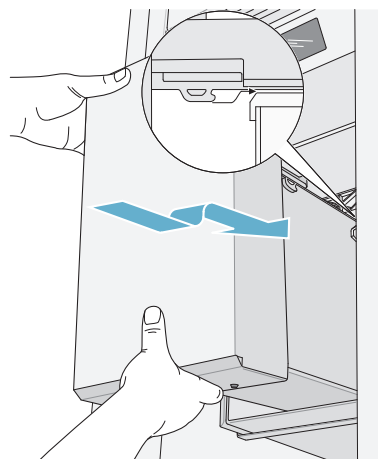
To ensure you always have fresh ice cubes and to prevent old ones from sticking together, remove them and clean the ice cube container regularly.

1. Lift the ice cube container.
2. Slowly pull out the ice cube container.



3. Empty and clean the ice cube container with lukewarm water.
4. Dry the inside of the ice cube container off well so new ice cubes do not freeze and stick to it.
5. Insert the ice cube container until it engages.

Note: If the ice cube container cannot be inserted, rotate the conveyor and try again.



Drip tray

You can remove the drip tray to clean.

1. Remove the grate for drips.
2. Remove the drip tray.
3. Empty and clean the drip tray with lukewarm water.
4. Reinsert the drip tray and the grate for drips.

Noises

Normal noises

Droning: A motor is running, e.g. refrigerating unit, ventilator.

Bubbling, buzzing or gurgling: Refrigerant is flowing through the tubes.

Clicking: Motor, switches or solenoid valves are switching on or off.

Cracking: Automatic defrosting is running.

Preventing noises

Appliance is not level: Align appliance using a water level. If required, place a little packing underneath.

Bins, shelves or storage compartments wobble or stick: Check the removable fittings and re-insert if required.

Lighting

Your appliance features a maintenance-free LED light.

Only customer service or authorized technicians may repair the light.

Faults – what to do?

Before you call customer service, use this table to check whether you can rectify the fault yourself.

Appliance

Temperature differs greatly from the set value.

Switch off appliance for 5 minutes.

→ *"Switching off and disconnecting the appliance" on page 15*

If the temperature is too warm, check temperature again after a couple of hours.

If the temperature is too cold, check temperature again on the following day.

Displays do not light up.

The power plug has not been inserted properly.

Connect the power plug.

The fuse has tripped.

Check the fuses.

The power has failed.

Check whether the power is on.

The refrigeration unit is switching on more frequently and for longer.

The appliance was opened frequently.

Do not open the appliance unnecessarily.

The ventilation openings are covered up.

Remove obstructions.

Appliance is not cooling, display and lighting are lit.

Demo mode is switched on.

Switch demo mode off.

→ *"Switching demo mode on or off" on page 19*

The door does not open when pressed.

A special mode has switched off automatic door opening.

To open the door, reach from below underneath the bottom panel of the unit or switch off special mode.

→ *"Switching Rest mode on or off" on page 19*

Pull-to-open is switched on.

Switch the appliance to Push-to-open.

→ *"Automatic door opening" on page 20*

The opening force is set too high.

Select a lower setting for the opening force.

→ *"Automatic door opening" on page 20*

The fuse has tripped.

Check the fuses.

The power has failed.

Check whether the power is on.

Dispenser

Ice is being produced and dispensed but no water.

Fault with the appliance.

Call customer service.

→ *"Customer service" on page 32*

Dispenser not working.

Controls for dispenser panel lock are locked (child lock).

Unlock controls for dispenser panel lock.

Ice cubes may freeze together and block the dispenser or the ice maker.

1. Open the door. Check inside whether ice cubes are stuck in the dispenser.
2. If the dispenser is not blocked, carefully pull the ice cube container out.

CAUTION

A full ice cube container is heavy! Use both hands and proceed slowly.

3. Remove the ice cubes which are frozen together.

After switching on or removing many ice cubes, there will be too few in the ice cube container.

It takes around 24 hours for an empty ice cube container to fill up.

Water tank is filling up.

When used for the first time, the water tank takes around 2 minutes to fill up.

Low water pressure.

Only connect appliance to pipes with sufficient water pressure.

The water filter/particle filter is blocked or needs to be replaced.

Replace water filter / clean particle filter.

The ice maker is not functioning.

Ice cube production is switched off.

Switch on ice cube production.

Freezer compartment is too warm.

Set the temperature lower.

→ *"Operating the appliance" on page 15*

Ice cube container is not properly inserted.

Insert ice cube container fully.

Ice maker without power.

Call customer service.

→ *"Customer service" on page 32*

No water supply.

Check water connection and contact technician if necessary.

Low water pressure.

Only connect appliance to pipes with sufficient water pressure.

Kink in water hose.

Turn off water supply, straighten out kink. Replace water hose, if necessary.

Too few or deformed ice cubes, water pressure lower than usual.

After switching on or removing many ice cubes, there will be too few in the ice cube container.	It takes around 24 hours for an empty ice cube container to fill up.
Low water pressure.	Only connect appliance to pipes with sufficient water pressure.
The water filter/particle filter is blocked or needs to be replaced.	Replace water filter / clean particle filter.
Freezer compartment is too warm.	Set the temperature lower. → <i>"Operating the appliance" on page 15</i>

Water is leaking out of the appliance.

Water connection is not tight.	<p>Check if the connections are fastened firmly and the water hose is undamaged.</p> <p>If the water hose is damaged, contact customer service and have it replaced. Replacement must be performed by customer service or a similarly qualified person only. Use original parts supplied by the manufacturer only.</p>
--------------------------------	--

Customer service

If you are unable to rectify the fault, please contact our customer service. We will always find an appropriate solution in order to avoid unnecessary visits by engineers.

The contact information for your nearest customer service can be found here or on the enclosed customer service list.

When calling, please state the product number (E-Nr.) and the production number (FD), which can be found on the rating plate.

→ *"Getting to know your appliance" on page 11*

Trust the expertise of the manufacturer. You can therefore be sure that the repair is carried out by trained service engineers who carry original spare parts for your home appliances.

Appliance self-test

Your appliance features a self-test program which displays the fault your customer service can rectify.

1. Press **S** button to open the main menu.
2. Press **>** button to move to the menu item **Self-test**.
3. Press **✓** button to start the self-test.

The self-test starts.

4. If faults are present, they will be displayed. In this case follow the instructions.
5. The appliance restarts.
6. The message that the self-test has finished is displayed for 10 seconds. To acknowledge the message, press **✓** button.

When the self-test has ended, the appliance switches over to normal operation.

Repair order and advice on faults

Contact information for all countries can be found on the enclosed customer service list.

US 877 442 4436 toll-free

fr Table des matières

Consignes de sécurité importantes	35	Régler le type de tonalité du champ tactile	48
Définitions	35	Régler le volume sonore du champ tactile	48
À propos de cette notice	35	Régler le volume du signal	48
Introduction	35	Activer et désactiver le compteur du filtre à eau	49
Risque d'explosion	35	Atténuation à l'ouverture et la fermeture de la porte	49
Risque d'électrocution	36	Lumière distrib. glaçons et eau	49
Risque d'engelures provoquées par le froid	36	Capteur de proximité du distributeur de glaçons et d'eau	49
Risque de blessure	36	Régler l'unité de température	49
Risque d'incendie	36	Réglage de la langue	50
Sécurité des enfants et des personnes à risque	37	Réinitialiser les réglages d'usine	50
Dégâts matériels	37	Activer ou désactiver le mode démo	50
Poids	37	Mode Repos	50
Avertissements de la Proposition 65 de l'État de la Californie	37	Ouverture de porte automatique	51
Utilisation conforme	38	Réseau domestique	51
		Blocage auto. de l'écran pour le nettoyage	51
Protection de l'environnement	38	Alarme	51
Emballage	38	Alarme de porte	51
Appareil usagé	38	Home Connect	52
Installation et branchement	39	Configurer Home Connect	52
Contenu de livraison	39	Connecter le réfrigérateur à l'application Home Connect	53
Données techniques	39	Installer une mise à jour du logiciel Home Connect	53
Installer l'appareil	39	Accès au service à la clientèle	54
Vérifier la cavité d'installation	39	Supprimer les paramètres réseau	54
Installation juxtaposée	39	Remarque sur la protection des données	54
Économiser de l'énergie	40	Compartiment congélateur	55
Avant la première utilisation	41	Utiliser l'intégralité du volume de congélation	55
Raccordement de l'eau	41	Achats de produits surgelés	55
Connexion électrique	41	Consignes de rangement	55
Présentation de l'appareil	42	Congeler des produits frais	55
Appareil	42	Décongélation des produits	56
Éléments de commande	42	Distribution de glaçons et d'eau	57
Distribution de glaçons et d'eau	43	Avant la première utilisation	57
Équipement	44	Surveiller la qualité de l'eau potable	57
Utiliser l'appareil	46	Renseignements sur le fonctionnement du distributeur de glaçons	57
Allumer l'appareil	46	Prélever des glaçons/de l'eau	58
Arrêter et remettre l'appareil	46	Dégivrer l'appareil	58
Régler la température	46	Compartiment congélateur	58
Congélation rapide	46	Nettoyage	58
Blocage écran pour nettoyage	47	Consignes d'entretien pour les surfaces en inox	59
Lancer et arrêter la production de glaçons	47	Nettoyer l'écran	59
Mode éco	47	Nettoyer l'équipement	59
Réinitialiser de compteur du filtre à eau	47		
Test automatique	47		
Régler la luminosité	47		
Régler le message affiché	48		
Régler la couleur du champ tactile	48		

Bruits	60
Bruits normaux	60
Prévenir les bruits	60
Éclairage	60
Que faire en de problème.	61
Appareil	61
Distribution de glaçons et d'eau	62
Service à la clientèle	64
Autodiagnostic de l'appareil	64
Commande de réparation et conseils en cas de problèmes	64



Consignes de sécurité importantes

VEUILLEZ LIRE ET CONSERVER CES CONSIGNES!

Définitions



AVERTISSEMENT

Cet avertissement indique un risque pouvant avoir des conséquences graves, voire mortelles.



ATTENTION

Cet avertissement indique un risque pouvant avoir des conséquences mineures, voire modérées.

AVIS

Cette mise en garde indique un risque de dommage à l'appareil.

Remarque : Ce symbole sert à identifier des renseignements importants ou des conseils.

À propos de cette notice

- Veuillez lire et respecter le contenu de cette notice d'utilisation et de montage. Elle contient des remarques importantes concernant l'installation, l'utilisation et l'entretien de l'appareil.
- Le fabricant décline toute responsabilité si vous ne tenez pas compte des remarques et avertissements figurant dans la notice de montage et celle d'utilisation.
- Veuillez conserver tous ces documents en vue d'une réutilisation ultérieure ou pour le cas où l'appareil changerait de propriétaire.

Introduction

- Cet appareil est conforme aux dispositions de sécurité applicables aux appareils électriques.
- Le circuit frigorifique a subi un contrôle d'étanchéité.

Risque d'explosion

- N'utilisez pas d'appareils électriques à l'intérieur de l'appareil (par ex. appareils de chauffage, machine à glaçons).
- Ne stockez dans l'appareil aucun produit contenant des gaz propulseurs combustibles (bombes aérosols par exemple) et aucune substance explosive.
- Ne conservez les bouteilles de boissons fortement alcoolisées qu'hermétiquement fermées et debout.
- Hormis les instructions du fabricant, ne prenez aucune mesure visant à accélérer le dégivrage de l'appareil.



Consignes de sécurité importantes

VEUILLEZ LIRE ET CONSERVER CES CONSIGNES!

Risque d'électrocution

Toute installation ou réparation incorrecte peut engendrer des risques considérables pour l'utilisateur.

- Veillez à ne pas coincer ou endommager le câble d'alimentation en posant l'appareil.
- Si le cordon d'alimentation est endommagé : débranchez immédiatement l'appareil du secteur.
- N'utilisez pas de rallonge, de bloc multiprise ou d'adaptateur.
- Débranchez la fiche de contact ou ramenez le disjoncteur en position éteinte avant d'effectuer des opérations d'entretien ou des modifications sur l'appareil. Avant de nettoyer l'appareil, actionnez l'**interrupteur principal Marche/Arrêt** pour éteindre l'appareil.

Les clayettes en verre et autres équipements peuvent être déplacés sans danger pendant que l'appareil est en marche.

- Ne retirez ni sectionnez jamais le troisième conducteur (conducteur de mise à la terre) du cordon d'alimentation.
- Ne décongelez et ne nettoyez jamais l'appareil avec un nettoyeur à vapeur. La vapeur risque d'atteindre des pièces électriques et de provoquer un court-circuit.

- Ne confiez la réparation ou le remplacement de l'appareil, du cordon et des accessoires qu'au fabricant, au service à la clientèle ou à une personne présentant une qualification équivalente.
- N'utilisez que des pièces de rechange d'origine venant du fabricant.

Risque d'engelures provoquées par le froid

- Ne portez jamais des produits surgelés à la bouche immédiatement après les avoir sortis du compartiment congélateur.
- Évitez tout contact prolongé de la peau avec le produit congelé, la glace et les tubulures présents dans le compartiment congélateur.

Risque de blessure

Les récipients contenant des boissons gazeuses risquent d'éclater. Ne rangez jamais de boissons gazeuses dans le compartiment congélateur.



Risque d'incendie

Les blocs multiprises ou blocs secteur portables peuvent surchauffer et provoquer un incendie. N'utilisez pas de blocs multiprises ni de blocs secteur portables derrière l'appareil.



Consignes de sécurité importantes

VEUILLEZ LIRE ET CONSERVER CES CONSIGNES!

Sécurité des enfants et des personnes à risque

Personnes à risques :

- Les enfants,
- Les personnes présentant un handicap physique, psychique ou sensoriel,
- Les personnes qui ne savent pas suffisamment comment utiliser l'appareil de manière sûre.

Mesures :

- Ne laissez jamais des enfants jouer avec l'appareil.
- Assurez-vous que les enfants et les personnes à risques ont bien compris la nature des dangers.
- Surveillez les enfants pendant le nettoyage et la maintenance.

Risque d'asphyxie

- Appareils équipés d'une serrure : rangez la clé hors de portée des enfants.
- Ne confiez jamais l'emballage et ses pièces constitutives aux enfants.

Dégâts matériels

Pour éviter des dégâts matériels :

- Ne vous servez jamais du socle, des glissières ou des portes comme marchepieds et ne vous appuyez jamais dessus.
- Veillez à ce que les pièces en matière plastique et les joints de porte soient exempts d'huile et de graisse.

- Pour débrancher, ne saisissez que la fiche mâle, pas le cordon de branchement.

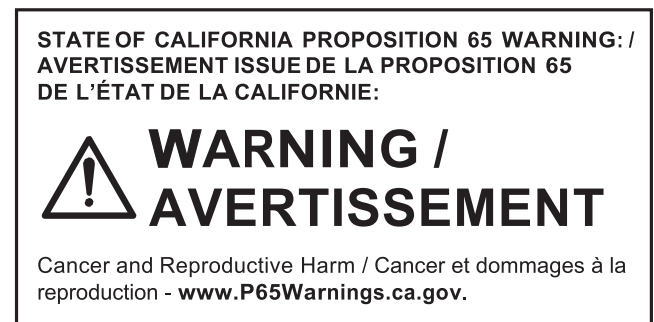
Poids

L'appareil est très lourd. Il faut être au moins 2 deux personnes pour installer et transporter l'appareil.

→ *"Installation et branchement"*
à la page 39

Avertissements de la Proposition 65 de l'État de la Californie

Ce produit pourrait contenir un produit chimique reconnu par l'État de la Californie comme cancérigène ou ayant des effets nocifs sur la reproduction. Par conséquent, l'emballage de votre produit pourrait porter l'étiquette suivante, comme requis par la Californie :



Utilisation conforme

Utilisez cet appareil

- Uniquement pour congeler des produits alimentaires et pour préparer de la glace.
- Uniquement dans un foyer et dans l'environnement domestique.
- Uniquement en conformité avec la présente notice d'utilisation.

Cet appareil est conçu pour une utilisation jusqu'à une altitude maximale de 2000 m.

Protection de l'environnement

Emballage

Tous les matériaux sont non polluants et recyclables :

- Éliminez l'emballage dans le respect de l'environnement.
- Veuillez vous informer sur les modes d'élimination des déchets auprès de votre revendeur ou de l'administration publique.



Éliminez l'emballage dans le respect de l'environnement.

Appareil usagé

L'élimination dans le respect de l'environnement permet de récupérer de précieuses matières premières.



AVERTISSEMENT

Les enfants risquent de s'enfermer dans l'appareil et de s'asphyxier. !

Avant d'envoyer l'appareil au recyclage :

- Démonter la porte.
 - Pour dissuader les enfants de grimper dans l'appareil, ne retirez pas les clayettes et les bacs !
 - Éloignez les enfants de l'appareil qui a cessé de servir.
-



ATTENTION

Le fluide frigorigène et des gaz nocifs peuvent se dégager.

Veillez à ne pas endommager les tubulures du circuit frigorifique, ni l'isolant.

1. Débranchez la fiche de contact de la prise de courant.
2. Coupez le câble de raccordement secteur.
3. Acheminez l'appareil au service d'élimination approprié.

Installation et branchement

Contenu de livraison

Après avoir déballé le produit, inspectez toutes les pièces pour détecter d'éventuels dégâts dus au transport.

En cas de réclamation, veuillez vous adresser au revendeur auprès duquel vous avez acquis l'appareil ou auprès de notre service à la clientèle.

→ *"Service à la clientèle" à la page 64*

La livraison comprend les pièces suivantes :

- Appareil encastrable
- Équipement (selon le modèle)
- Matériel de montage
- Mode d'emploi
- Notice de montage
- Carnet de service à la clientèle
- Pièce annexe de la garantie
- Informations relatives à la consommation d'énergie et aux bruits

Données techniques

La plaque signalétique mentionne le fluide frigorigène, le volume utile ainsi que d'autres renseignements.

→ *"Présentation de l'appareil" à la page 42*

Installer l'appareil

Lieu d'installation

Selon le modèle, le poids de l'appareil peut atteindre 460 kg. Le plancher doit être suffisamment stable ; Il ne doit pas s'affaisser. Renforcez le plancher au besoin.

Vérifier la cavité d'installation

La cavité doit remplir les critères suivants :

- L'équerre antibasculement doit être montée
- La cavité doit avoir une profondeur d'au moins 24 po (610 mm) ou de 25 po (635 mm) pour une installation affleurante.
- à angle droit
- stable – les parois latérales et le plafond doivent avoir une épaisseur d'au moins 5/8 po (16mm) et être reliés au plancher ou au mur solidement
- Profondeur des parois latérales raccourcies d'au moins 4 po (100 mm)

Installation juxtaposée

Si vous optez pour une installation juxtaposée, suivez les instructions à cet effet dans le manuel d'installation.

Si une paroi de séparation est nécessaire entre les appareils, cette dernière doit avoir une largeur d'au moins 5/8 po (16 mm).

Économiser de l'énergie

Si vous respectez les instructions suivantes, votre appareil consommera moins de courant.

Remarque : L'agencement des pièces d'équipement n'a aucune influence sur la consommation d'énergie de l'appareil.

Installer l'appareil

Mettez l'appareil à l'abri des rayons du soleil.	En présence de températures ambiantes basses,
Installer l'appareil à la plus grande distance possible d'un radiateur, d'une cuisinière et d'autres sources de chaleur :	l'appareil doit réfrigérer moins souvent et il consomme donc moins de courant.
Minimum 1¼" (3 cm) d'une cuisinière électrique ou à gaz.	
Minimum 11¼" (30 cm) d'un appareil de chauffage à l'huile ou au charbon.	
Choisissez un lieu d'installation où règne une température ambiante d'environ 68 °F (20 °C).	
Ne recouvrez et ne bouchez pas les orifices d'aération.	L'appareil consomme moins de courant si l'air chaud peut s'échapper.
Aérez quotidiennement la pièce.	

Utilisation de l'appareil

N'ouvrez la porte de l'appareil que brièvement.	L'air dans l'appareil ne se réchauffe pas aussi fortement. L'appareil doit réfrigérer plus rarement et consomme de la sorte moins d'électricité.
Transportez les produits alimentaires achetés dans un sac isotherme et rangez-les rapidement dans l'appareil.	
Attendez que les plats chauds aient refroidi avant de les ranger dans l'appareil.	
Pour décongeler les produits congelés, rangez-les dans le compartiment réfrigérateur pour profiter du froid des produits congelés.	
Laissez toujours un peu de place entre les produits alimentaires et la paroi arrière.	L'air peut circuler de cette manière et l'humidité de l'air demeure constante. L'appareil doit réfrigérer plus rarement et consomme de la sorte moins d'électricité.
Emballez hermétiquement les produits alimentaires.	
Ne recouvrez et ne bouchez pas les orifices d'aération.	L'appareil consomme moins de courant si l'air chaud peut s'échapper.
Une fois par an, passez l'aspirateur au dos de l'appareil.	

Avant la première utilisation

1. Retirez la documentation informative, les rubans adhésifs et la feuille protectrice.
2. Nettoyez l'appareil.
→ "Nettoyage" à la page 58

Raccordement de l'eau

ATTENTION

L'installation et le raccordement de l'appareil doit être réalisé par un spécialiste selon les instructions de montage ci-jointes.

ATTENTION

Afin d'éviter d'endommager l'appareil ou d'en perturber le fonctionnement, il est impératif de le brancher uniquement à une prise d'eau potable.

ATTENTION

Installez une soupape d'arrêt afin de prévenir les dégâts d'eau.

Pression hydraulique de la conduite d'eau potable.

ATTENTION

Si la pression hydraulique excède la valeur maximale, faites installer un limiteur de pression entre la conduite d'eau potable et le kit de tuyaux afin d'éviter d'endommager l'appareil.

Remarque : Une pression hydraulique trop basse perturbe certaines fonctions de base de l'appareil.

- Au moins 0,2 Mpa (2 bars / 29 psi)
- Maximum 0,8 Mpa (8 bars / 116 psi)_

Connexion électrique

ATTENTION

Ne raccordez pas l'appareil à une fiche électronique d'économie d'énergie.

Remarque : Vous pouvez raccorder l'appareil à des onduleurs pilotés par le réseau et pilotés en onde sinusoïdale.

Les onduleurs pilotés par le réseau s'utilisent sur les installations photovoltaïques directement raccordées au réseau public d'électricité. Dans les solutions en îlot, vous devrez utiliser des onduleurs pilotés en onde sinusoïdale. Les solutions en îlot, par exemple sur les bateaux ou les refuges de montage, n'ont pas de raccordement direct au réseau public d'électricité.

1. Après l'installation de l'appareil, attendez au moins 1 heure avant de le raccorder afin d'éviter d'endommager le compresseur.
2. Assurez-vous que la prise murale est correctement installée et satisfait aux critères.

Critères pour la prise murale

Prise de	110 V ... 120 V
Fil de terre	60 Hz
Fusible	10 A ... 16 A

Charge maximale simultanée

Appareil	6 A
----------	-----

3. Raccordez l'appareil à une prise à proximité.
Cette prise doit rester accessible même une fois l'appareil installé.

AVERTISSEMENT

Risque d'électrocution !

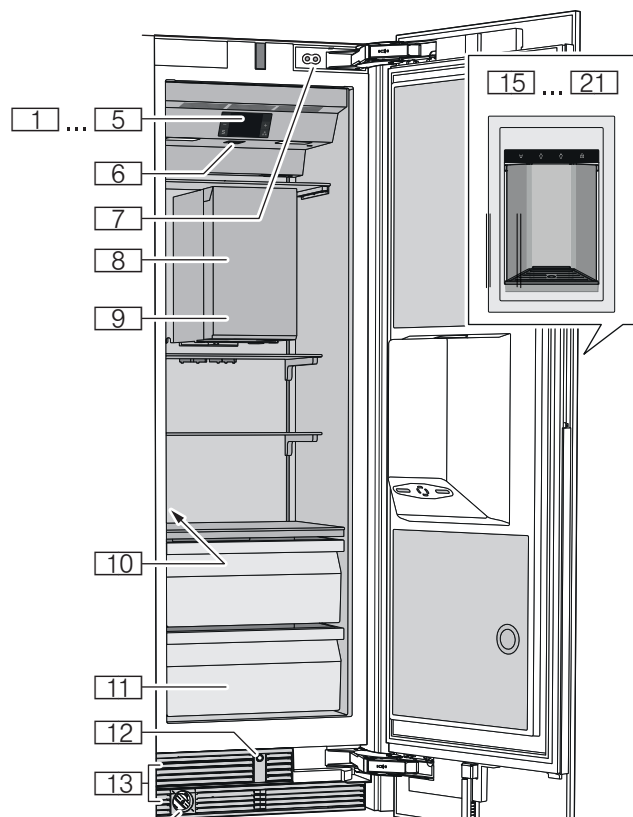
N'utilisez pas de rallonge, de bloc multiprise ou d'adaptateur.

L'appareil doit être correctement mis à la terre. Ne retirez ni sectionnez jamais le troisième conducteur (conducteur de mise à la terre) du cordon d'alimentation.

Risque d'électrocution !

Si la longueur du cordon d'alimentation est insuffisante, abstenez-vous à tout prix d'utiliser une rallonge ou un bloc multiprise. Contactez plutôt le service à la clientèle pour des solutions de rechange.

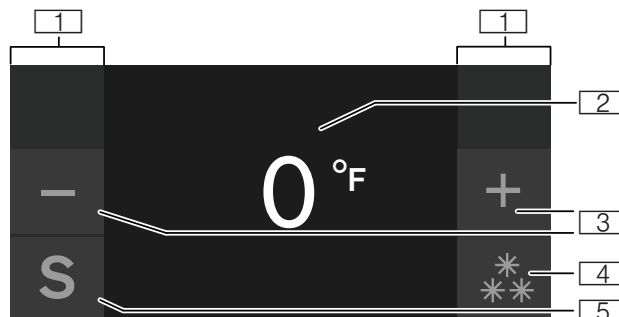
Présentation de l'appareil



Appareil

- 1...5** Éléments de commande
- 6** Interrupteur principal marche/arrêt
- 7** Amortisseur de porte
- 8** Distributeur de glaçons
- 9** Bac à glaçons
- 10** Plaque signalétique
- 11** Bac à produits congelés
- 12** Ouverture de porte automatique
- 13** Prise d'air
- 14** Filtre à eau
- 15...21** Distribution de glaçons et d'eau

Éléments de commande



- 1** Champs tactiles
Sous les champs tactiles se trouvent des sondes. Pour sélectionner une fonction, il suffit d'appuyer sur le symbole.
- 2** Affichage de la température dans le compartiment congélateur
Affiche la température réglée en °C/°F.
- 3** Touches **-/+**
Servent à modifier la température.
- 4** Touche *******
Active ou désactive la congélation rapide.
- 5** Touche **S**
Ouvre le menu principal.

Menu principal

Appuyez sur la touche **S** pour ouvrir le menu principal.

Dans le menu principal, vous trouverez les éléments suivants :

- Réglages de base
- Blocage écran pour nettoyage
- Production de cubes de glace
- Mode éco
- Réinitialiser compteur filtre à eau
- Autocontrôle
- Mode Repos (si activé)

→ "Utiliser l'appareil" à la page 46

Menu Réglages de base

Pour accéder au menu **Réglages de base** :

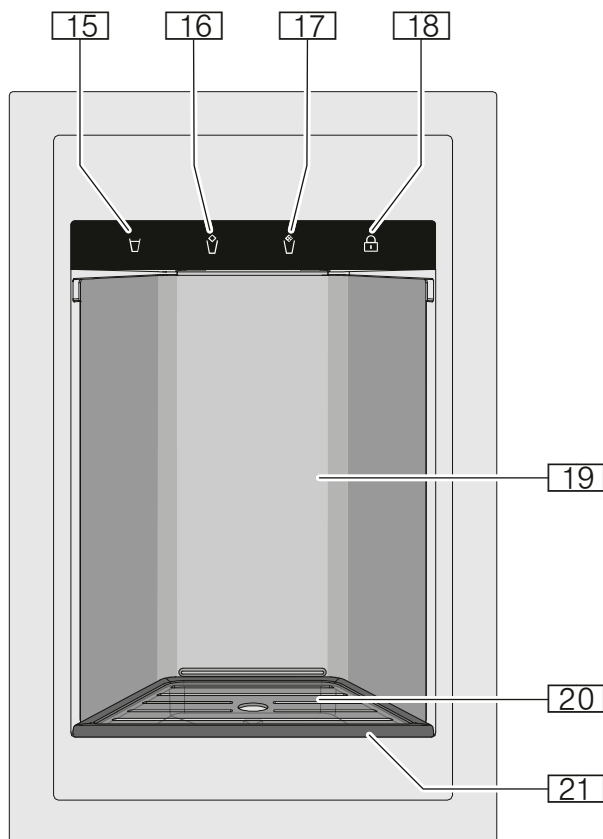
1. Appuyez sur la touche **S**.
2. Naviguez jusqu'au point de menu **Réglages de base** avec la touche **←**.
3. Appuyez sur la touche **✓** pour ouvrir le menu.

Dans le menu **Réglages de base**, vous trouverez les sous-menus et les options de réglage suivantes :

- Luminosité
- Écran d'affichage
- Couleur champ tactile
- Tonalité champ tactile
- Volume son champ tactile
- Volume du signal
- Compteur filtre à eau
- Atténuation lors ouverture et fermeture de porte
- Lumière distrib. glaçons et eau
- Détecteur proximité Distributeur eau et glaçons
- Unité de température
- Langue
- Réglages usine
- Mode démo
- Mode Repos
- Ouverture de porte automatique
- Réseau domestique
- Blocage auto. de l'écran pour le nettoyage

→ "Utiliser l'appareil" à la page 46

Distribution de glaçons et d'eau

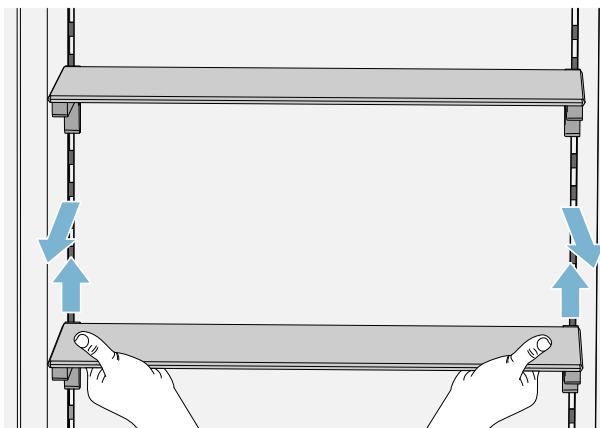


- 15** Touche **WATER**
Lance la distribution d'eau.
- 16** Touche **CUBED**
Lance la distribution de glaçons.
- 17** Touche **CRUSHED**
Lance la distribution de glace pilée.
- 18** Touche **LOCK**
Bloque les éléments de commande pour la distribution de glace et d'eau (protection enfants). Pour activer et désactiver, appuyez 3 secondes sur la touche.
- 19** Couvercle du distributeur de glaçons et d'eau
- 20** Grille de l'égouttoir
- 21** Bac d'égouttage

Équipement

Clayette

Vous pouvez retirer la clayette et en modifier la position :



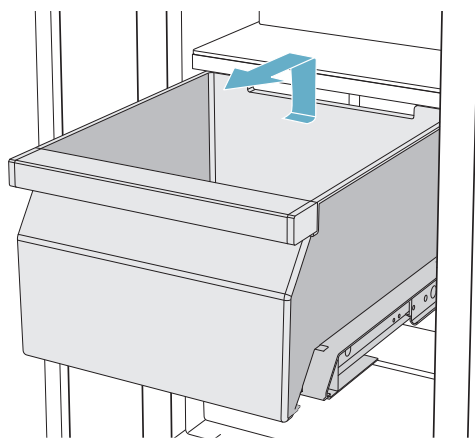
1. Soulevez la clayette et retirez-la.
2. Pour la remettre en place, positionnez les crochets à l'arrière de la clayette à la même hauteur afin qu'elle soit bien droite.

Remarque : Posez prudemment la clayette afin d'éviter d'égratigner l'appareil.

Bac

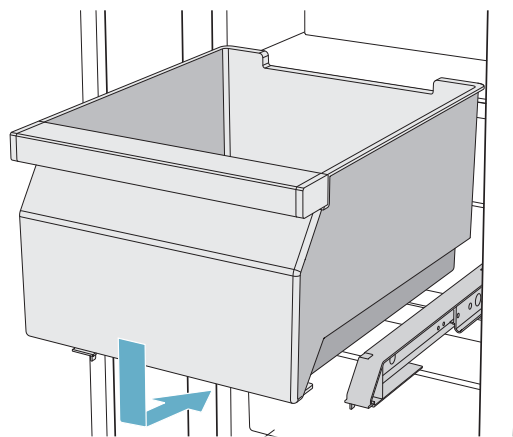
Vous pouvez retirer le bac :

- Poussez le bac vers l'arrière,
- soulevez-le par l'arrière et sortez-le.



Vous pouvez insérer le bac :

- Sortez complètement les rails de sortie
- Posez le bac sur les rails de sortie et poussez-le dans l'appareil jusqu'à ce qu'il s'enclenche.



Accumulateurs de froid

En cas de panne de courant ou de problème :

- L'accumulateur de froid retarde le réchauffement des produits congelés rangés.

Remarque : La durée maximale de stockage est maximale si vous placez l'accumulateur de froid sur les produits alimentaires situés dans le compartiment le plus haut.

Vous pouvez sortir l'accumulateur de froid pour maintenir temporairement des produits alimentaires au frais, par exemple dans un sac isotherme.

Distributeur de glaçons

⚠ ATTENTION

Dommages à l'appareil!

Ne jamais ranger des bouteilles ou des aliments dans le réservoir de glaçons, et ce même pour une courte période. Cela pourrait bloquer et endommager la machine à glace.

La production de glaçons commence dès que l'appareil atteint la température réglée.

Remarques

- Pour des raisons d'hygiène, jetez les 30 à 40 premiers glaçons.
- La production de glaçons s'arrête automatiquement lorsque le réservoir de glaçons est plein.

Informations sur le lancement et l'arrêt de la production de glaçons

→ "Lancer et arrêter la production de glaçons" à la page 47

Filtre à eau

Le filtre à eau doit être remplacé au plus tard après 6 mois.

Si les glaçons goûtent mauvais, jetez tous les glaçons ainsi que ceux produits durant les 24 prochaines heures. Si les glaçons goûtent toujours mauvais, changez le filtre à eau.

Remarque : Vous pouvez aussi vous servir de l'appareil sans filtre à eau. Pour ce faire, remplacez le filtre à eau par une cartouche filtrante avec dérivation. Éteignez le compteur du filtre à eau. Il n'est pas nécessaire de remplacer une cartouche filtrante avec dérivation.

Adressez-vous au service à la clientèle ou à un fournisseur spécialisé pour obtenir un nouveau filtre à eau ou une cartouche filtrante avec dérivation.

Remplacer le filtre à eau par un neuf ou par une cartouche filtrante avec dérivation

Vous pouvez remplacer le filtre à eau par un neuf ou par une cartouche filtrante avec dérivation. La cartouche filtrante avec dérivation peut demeurer longtemps dans l'appareil; nul besoin de la remplacer.

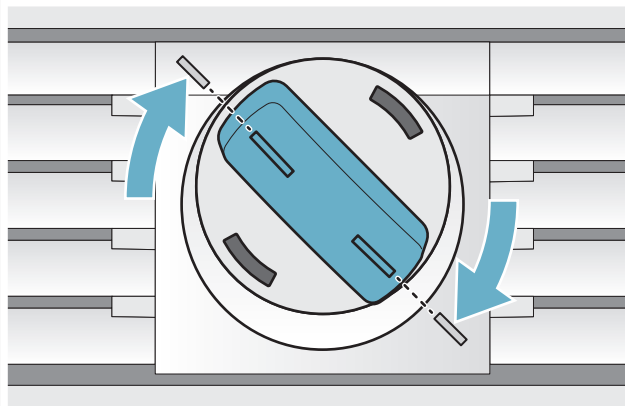
Remarque : Après l'installation d'un filtre à eau ou d'une cartouche filtrante, éliminer tous les glaçons produits au cours des premières 24 heures.

1. Faire tourner le bouchon du filtre à eau dans le sens antihoraire.
2. Retirer le filtre à eau.
3. Retirer le bouchon de protection du nouveau filtre à eau ou de la nouvelle cartouche filtrante avec dérivation.
4. Retirer le bouchon du filtre à eau usé et le poser sur le nouveau filtre à eau ou sur la nouvelle cartouche filtrante avec dérivation.
5. Enfoncer le nouveau filtre à eau ou la nouvelle cartouche filtrante avec dérivation dans l'ouverture jusqu'en butée.

Remarque : Le bouchon doit alors être à l'horizontale.

6. Tourner le filtre à eau ou la cartouche filtrante avec dérivation dans le sens des aiguilles d'une montre jusqu'au repère.

Remarque : Si le filtre à eau ou la cartouche filtrante avec dérivation n'est pas suffisamment vissé, l'eau qui s'écoule risque de provoquer des dégâts.



7. Au même moment où le filtre à eau est posé : réinitialiser le compteur du filtre à eau.

Au même moment où la cartouche filtrante avec dérivation est posée : réinitialiser le compteur du filtre à eau.

8. Jeter tous les glaçons formés durant les 24 premières heures.
9. Vider l'eau dans le filtre à eau usé.

Remarque : Vous pouvez jeter le filtre à eau usé avec les ordures ménagères.

Utiliser l'appareil

Allumer l'appareil

1. Actionner l'interrupteur principal marche/arrêt.

L'appareil commence à réfrigérer ; porte en position ouverte, l'éclairage est allumé.

2. Régler la température souhaitée.

→ "Régler la température" à la page 46

Remarques concernant le fonctionnement de l'appareil

- Une fois allumé, l'appareil pourrait prendre quelques heures à atteindre les températures réglées. Ne rangez pas de produits alimentaires tant que la température choisie n'est pas atteinte.
- Grâce au système NoFrost entièrement automatique, le compartiment congélateur ne se couvre pas de givre.
Il n'est pas nécessaire de dégivrer.
- L'appareil chauffe légèrement une partie de ses surfaces frontales. Cela prévient la condensation d'eau dans la zone du joint de porte.
- Si la porte du compartiment congélateur ne se laisse pas immédiatement rouvrir après l'avoir fermée, attendez un moment pour laisser à la dépression régnant dans le compartiment le temps de se résorber.

Arrêter et remiser l'appareil

Éteindre l'appareil

- Appuyez sur l'interrupteur principal Marche / Arrêt.

L'appareil ne réfrigère plus.

Éteindre l'appareil

ATTENTION

Dégradation de la qualité de l'eau

L'alimentation en eau doit être cessé 3 heures avant que ne soit éteint l'appareil. Cela prévient la formation de moisissure en raison des résidus d'eau.

Si l'appareil doit rester longtemps sans servir :

1. Coupez l'arrivée d'eau à l'appareil et attendez 3 heures.
2. Retirez les aliments de l'appareil.
3. Appuyez sur l'interrupteur principal Marche / Arrêt.
4. Débranchez la fiche de contact de la prise de courant ou ramenez le disjoncteur en position éteinte.
L'appareil ne réfrigère plus.
5. Videz le bac à glaçons et nettoyez-le.
→ "Nettoyage" à la page 58
6. Laissez l'appareil ouvert.

Régler la température

Température recommandée

Compartiment congélateur : 0 °F (-18 °C)

Compartiment congélateur

- Actionner la touche **-/+** jusqu'à ce que la température souhaitée s'affiche.

Congélation rapide

Pendant la congélation rapide, le compartiment congélation se refroidit à la température la plus basse.

Activez la congélation rapide par ex. :

- pour congeler des produits alimentaires à cœur rapidement
- 4 ... 6 heures avant de ranger 2 kg ou plus de produits alimentaires
- pour profiter de la capacité de congélation maximale

Remarque : Si la congélation rapide est activée, l'appareil peut fonctionner plus bruyamment.

Au bout de 2 jours et 1/2 environ, l'appareil revient en mode normal.

Activer ou désactiver la congélation rapide :

- Appuyez sur la touche ****/***.

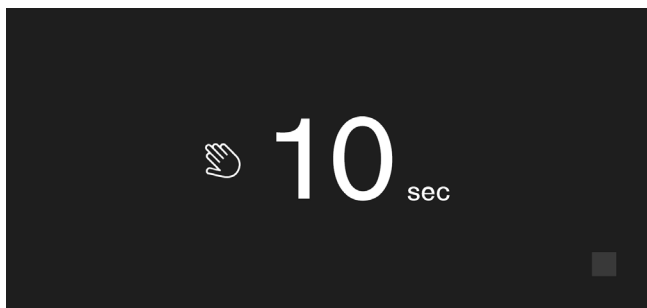
Blocage écran pour nettoyage

Cette fonction désactive pendant 10 secondes la fonction tactile des éléments de commande. Profitez de ce moment pour nettoyer l'écran.

→ "Nettoyer l'écran" à la page 59

1. Appuyez sur la touche **S** pour ouvrir le menu principal.
2. Appuyez sur la touche **▶**.

L'affichage de nettoyage apparaît et le compte à rebours démarre.



Lancer et arrêter la production de glaçons

⚠ ATTENTION

Domages de l'appareil!

Ne jamais ranger des bouteilles ou des aliments dans le réservoir de glaçons, et ce même pour une courte période. Cela pourrait bloquer et endommager la machine à glace.

La production de glaçon commence dès que l'appareil atteint la température réglée.

Remarque : La production de glaçon s'arrête automatiquement lorsque le réservoir de glaçon est plein.

Activer ou désactiver le distributeur de glaçons

1. Appuyez sur la touche **S** pour ouvrir le menu principal.
2. Naviguez jusqu'à **Product. cubes de glace** à l'aide de la touche **▶**.
3. Appuyez sur la touche **▶/■**.

Mode éco

Le mode éco vous permet d'économiser de l'énergie lors du fonctionnement de l'appareil.

L'appareil règle les températures automatiques suivantes :

- Compartiment congélateur : +3 °F (-16 °C)

Activer ou désactiver le mode éco

1. Appuyez sur la touche **S** pour ouvrir le menu principal.
2. Naviguez jusqu'au **Mode Eco** avec la touche **▶**.
3. Appuyez sur la touche **▶/■**.

La température est modifiée, l'écran indique la nouvelle température. Après avoir désactivé le mode éco, la température conseillée est rétablie.

Remarque : Vous pouvez également activer ou désactiver le mode Eco en réglant la température avec les touches **-/+**.

Réinitialiser de compteur du filtre à eau

Une fois le filtre à eau remplacé, vous devez en réinitialiser le compteur.

1. Appuyez sur la touche **S** pour ouvrir le menu principal.
2. Naviguez jusqu'au point de menu **Réinitialiser compteur filtre à eau** à l'aide de la touche **▶**.
3. Confirmez le choix avec la touche **✓**, puis nouveau à l'aide de la touche **✓**.

Remarque : Si vous interrompez la demande de confirmation ou si vous patientez plus de 10 secondes, le compteur du filtre à eau ne sera pas réinitialisé.

Test automatique

Cette fonction lance une analyse des problèmes de votre appareil.

→ "Autodiagnostic de l'appareil" à la page 64

Régler la luminosité

1. Appuyez sur la touche **S** pour ouvrir le menu principal.
2. Naviguez jusqu'au point de menu **Réglages de base** avec la touche **◀**.
3. Appuyez sur la touche **✓**.
4. Appuyez sur la touche **↘** pour ouvrir l'option **Luminosité** du menu.
5. Réglez la luminosité souhaitée avec les touches **◀ ▶**.
6. Appuyez sur la touche **✓**.
Le réglage est mémorisé.
7. Appuyez sur la touche **X** pour quitter le menu.

Régler le message affiché

Vous avez le choix entre les réglages **Réduit** et **Standard**. Avec le réglage **Réduit**, si aucune action n'a été exécutée pendant un bref laps de temps, le panneau de commande n'affiche plus que la température et les fonctions spéciales actives. Touchez les champs tactiles pour rendre à nouveau toutes les touches visibles.

Avec le réglage **Standard**, toutes les touches sont visibles en permanence.

1. Appuyez sur la touche **S** pour ouvrir le menu principal.
2. Naviguez jusqu'au point de menu **Réglages de base** avec la touche **←**.
3. Appuyez sur la touche **✓**.
4. Naviguez jusqu'au point de menu **Écran** avec la touche **→**.
5. Appuyez sur la touche **_**.
6. Avec les touches **←** **→**, faites défiler jusqu'au réglage souhaité.
7. Appuyez sur la touche **✓**.
Le réglage est mémorisé.
8. Appuyez sur la touche **X** pour quitter le menu.

Régler la couleur du champ tactile

1. Appuyez sur la touche **S** pour ouvrir le menu principal.
2. Naviguez jusqu'au point de menu **Réglages de base** avec la touche **←**.
3. Appuyez sur la touche **✓**.
4. Naviguez jusqu'au **Couleur champ tactile** avec la touche **→**.
5. Appuyez sur la touche **_**.
6. Avec les touches **←** **→**, faites défiler jusqu'au réglage souhaité.
7. Appuyez sur la touche **✓**.
Le réglage est mémorisé.
8. Appuyez sur la touche **X** pour quitter le menu.

Régler le type de tonalité du champ tactile

Vous pouvez modifier ou désactiver les tonalités émises lorsque vous appuyez sur les touches.

1. Appuyez sur la touche **S** pour ouvrir le menu principal.
2. Naviguez jusqu'au point de menu **Réglages de base** avec la touche **←**.

3. Pour ouvrir le point de menu, appuyez sur **✓**.
4. Avec la touche **→**, faites défiler jusqu'au point de menu **Tonalité champ tactile**.
5. Pour ouvrir le point de menu, appuyez sur **_**.
6. Sélectionnez le réglage souhaité avec les touches **←** **→**.
7. Appuyez sur la touche **✓**.
Le réglage est mémorisé.
8. Appuyez sur la touche **X** pour quitter le menu.

Régler le volume sonore du champ tactile

Vous pouvez modifier le volume du son qui survient lorsqu'une touche de l'appareil est actionnée.

1. Appuyez sur la touche **S** pour ouvrir le menu principal.
2. Naviguez jusqu'au point de menu **Réglages de base** avec la touche **←**.
3. Pour ouvrir le point de menu, appuyez sur **✓**.
4. Naviguez jusqu'au point de menu **Volume son champ tactile** avec la touche **→**.
5. Pour ouvrir le point de menu, appuyez sur **_**.
6. Sélectionnez le réglage souhaité avec les touches **←** **→**.
7. Appuyez sur la touche **✓**.
Le réglage est mémorisé.
8. Appuyez sur la touche **X** pour quitter le menu.

Régler le volume du signal

Vous pouvez régler le volume du signal sonore qui survient par ex. lorsqu'une alarme est déclenchée.

1. Appuyez sur la touche **S** pour ouvrir le menu principal.
2. Naviguez jusqu'au point de menu **Réglages de base** avec la touche **←**.
3. Pour ouvrir le point de menu, appuyez sur **✓**.
4. Naviguez jusqu'au point de menu **Volume du signal** avec la touche **→**.
5. Pour ouvrir le point de menu, appuyez sur **_**.
6. Sélectionnez le réglage souhaité avec les touches **←** **→**.
7. Appuyez sur la touche **✓**.
Le réglage est mémorisé.
8. Appuyez sur la touche **X** pour quitter le menu.

Activer et désactiver le compteur du filtre à eau

Si vous avez remplacé le filtre à eau par un filtre à particules, désactivez le compteur du filtre à eau. Comme le filtre à particules n'a pas besoin d'être remplacé, le compteur vous sera inutile.

1. Appuyez sur la touche **S** pour ouvrir le menu principal.
2. Naviguez jusqu'au point de menu **Réglages de base** avec la touche **←**.
3. Appuyez sur la touche **✓**.
4. Naviguez jusqu'au point de menu **Compteur filtre à eau** avec la touche **→**.
5. Appuyez sur **↵** pour modifier le réglage.
6. Confirmez votre choix avec la touche **✓**.

Atténuation à l'ouverture et la fermeture de la porte

Lorsque l'atténuation de l'éclairage lors de l'ouverture et de la fermeture de la porte est activée, l'éclairage augmente lentement lors de l'ouverture de l'appareil et diminue lentement lors de la fermeture.

Activer et désactiver l'atténuation à l'ouverture et la fermeture de la porte

1. Appuyez sur la touche **S** pour ouvrir le menu principal.
2. Naviguez jusqu'au point de menu **Réglages de base** avec la touche **←**.
3. Appuyez sur la touche **✓**.
4. Naviguez jusqu'au point de menu **Atténuation lors ouverture et fermeture de porte** avec la touche **→**.
5. Appuyez sur la touche **↵**.
6. Choisissez **Marche** ou **Arrêt** dans le menu à l'aide de la touche **→**. Confirmez avec la touche **✓**.

Lumière distrib. glaçons et eau

Cette fonction vous permet de régler la durée d'activation de l'éclairage du distributeur de glaçons et d'eau.

Régler l'éclairage du distributeur de glaçons et d'eau

1. Appuyez sur la touche **S** pour ouvrir le menu principal.
2. Naviguez jusqu'au point de menu **Réglages de base** avec la touche **←**.
3. Pour ouvrir le point de menu, appuyez sur la touche **✓**.
4. Avec la touche **→**, faites défiler jusqu'au point de menu **Lumière distrib. glaçons et eau**.

5. Pour ouvrir le point de menu, appuyez sur la touche **↵**.
6. Choisissez la durée souhaitée avec la touche **→**.
7. Appuyez sur la touche **✓**.
Le réglage est mémorisé.
8. Appuyez sur la touche **X** pour quitter le menu.

Capteur de proximité du distributeur de glaçons et d'eau

Lorsqu'il est activé, le capteur de proximité allume automatiquement l'éclairage du distributeur de glaçons et d'eau dès que vous posez un verre au-dessous.

Activer ou désactiver le capteur de proximité

1. Appuyez sur la touche **S** pour ouvrir le menu principal.
2. Naviguez jusqu'au point de menu **Réglages de base** avec la touche **←**.
3. Pour ouvrir le point de menu, appuyez sur la touche **✓**.
4. Naviguez jusqu'au point de menu **Capteur de mouv.** à l'aide de la touche **→**.
5. Pour ouvrir le point de menu, appuyez sur la touche **↵**.
6. Avec les touches **←** **→**, faites défiler jusqu'au réglage souhaité.
7. Appuyez sur la touche **✓**.
Le réglage est mémorisé.
8. Appuyez sur la touche **X** pour quitter le menu.

Régler l'unité de température

Vous pouvez choisir d'afficher la température en °C ou en °F.

1. Appuyez sur la touche **S** pour ouvrir le menu principal.
2. Naviguez jusqu'au point de menu **Réglages de base** avec la touche **←**.
3. Appuyez sur la touche **✓**.
4. Naviguez jusqu'au point de menu **Unité de température** avec la touche **←**.
5. Appuyez sur la touche **↵**.
6. Avec les touches **←** **→**, faites défiler jusqu'à l'unité souhaitée.
7. Appuyez sur la touche **✓**.
L'unité est modifiée.
8. Appuyez sur la touche **X** pour quitter le menu.

Réglage de la langue

1. Appuyez sur la touche **S** pour ouvrir le menu principal.
2. Naviguez jusqu'au point de menu **Réglages de base** avec la touche **←**.
3. Appuyez sur la touche **✓**.
4. Naviguez jusqu'au point de menu **Langue** à l'aide de la touche **←**.
5. Appuyez sur la touche **_.**
6. Modifiez la langue selon vos préférences à l'aide des touches **←>**.
7. Appuyez sur la touche **✓**.
L'affichage redémarre et l'écran d'accueil apparaît.

Réinitialiser les réglages d'usine

1. Appuyez sur la touche **S** pour ouvrir le menu principal.
2. Naviguez jusqu'au point de menu **Réglages de base** avec la touche **←**.
3. Appuyez sur la touche **✓**.
4. Naviguez jusqu'au point de menu **Réglages usine** avec la touche **←**.
5. Appuyez sur la touche **_.**
Un signal sonore retentit et un message apparaît à l'écran pour confirmer la réinitialisation.
6. Appuyez sur la touche **✓**.
Tous les réglages sont réinitialisés à leur valeur par défaut.
7. Appuyez sur la touche **X** pour quitter le menu.

Activer ou désactiver le mode démo

La fonction de réfrigération de l'appareil est désactivée. Toutes les autres fonctions demeurent utilisables.

Remarque : Ne remplissez pas l'appareil de produits alimentaires en mode démo, car il demeure à la température de la pièce.

1. Appuyez sur la touche **S** pour ouvrir le menu principal.
2. Naviguez jusqu'au point de menu **Réglages de base** avec la touche **←**.
3. Appuyez sur la touche **✓**.
4. Naviguez jusqu'au point de menu **Mode démo** à l'aide de la touche **←**.
5. Appuyez sur la touche **_.**
6. À l'aide des touches **←>**, sélectionnez **Activé** ou **Désactivé**.
7. Appuyez sur la touche **✓**.
Le réglage est mémorisé.

8. Appuyez sur la touche **X** pour quitter le menu.

Mode Repos

L'appareil éteint les composants suivants :

- Ouverture de porte automatique
Remarque : Veuillez noter que si vous avez choisi un modèle sans poignée, le système ne vous aidera pas à ouvrir la porte durant ce temps. Dans de tels cas, ouvrez la porte en la saisissant par le bas, sous la plaque d'ameublement.
- Distributeur de glaçons
- Signaux sonores
- Éclairage intérieur
- Messages affichés à l'écran
- La luminosité du rétro-éclairage de l'écran diminue

Activer ou désactiver le mode repos

Afficher ou masquer le mode repos dans le menu principal

Pour pouvoir utiliser le mode repos, la fonction doit d'abord être rendue visible dans le menu principal :

1. Appuyez sur la touche **S** pour ouvrir le menu principal.
2. Naviguez jusqu'au point de menu **Réglages de base** avec la touche **←**.
3. Appuyez sur la touche **✓**.
4. Naviguez jusqu'au point de menu **Mode Repos** avec la touche **←**. Appuyez sur la touche **_.**
5. Naviguez jusqu'au point de menu **Disponible** ou **Non disponible** avec la touche **>**. Confirmez avec la touche **✓**.
6. Appuyez sur la touche **X** pour quitter le menu.

La fonction est affichée ou masquée dans le menu principal.

Activer le mode repos

1. Appuyez sur la touche **S** pour ouvrir le menu principal.
2. Appuyez sur la touche **⌚** pour ouvrir le point de menu **Durée mode repos**.
3. Modifiez la durée avec les touches **-/+**.
4. Pour démarrer, appuyez sur la touche **▶**.
L'appareil désactive toutes les fonctions énoncées.

Désactiver le mode repos

- Une fois la durée réglée écoulée, l'appareil se remet en mode normal.
- Pour mettre fin au mode repos avant l'écoulement de la durée réglée, appuyez sur la touche **■**.

Ouverture de porte automatique

L'ouverture automatique de la porte vous aide à ouvrir cette dernière.

Dès que la fonction se déclenche, l'ouverture automatique de la porte s'exécute et vous aide à ouvrir la porte.

ATTENTION

La fermeture répétée et prématurée de la porte finit par user cette dernière et risque de perturber l'ouverture automatique de la porte.

Ne fermez pas la porte pendant que l'ouverture automatique de la porte est activée.

Si vous avez fermé la porte malgré ce dernier avertissement, laissez-la fermée 5 minutes.

L'ouverture automatique de la porte se réajustera.

Ouvrir le menu Ouverture de porte automatique :

1. Appuyez sur la touche **S** pour ouvrir le menu principal.
2. Naviguez jusqu'au point de menu **Réglages de base** avec la touche **←**.
3. Pour ouvrir le menu, appuyez sur la touche **✓**.
4. Naviguez jusqu'au point de menu **Ouverture de porte automatique** avec la touche **←**.
5. Appuyez sur **_** pour modifier le réglage.

Activer le système Push-to-open (pousser pour ouvrir)

Si vous ne souhaitez pas avoir de poignée, le système Push-to-open s'offre à vous. Ce dernier vous permet d'entrouvrir la porte de votre appareil en appuyant légèrement dessus.

Remarque : Notez que l'ouverture automatique de la porte est désactivée lorsque le mode repos est activé.

1. Ouvrez le menu **Ouverture de porte automatique**.
2. Sélectionnez **Système Push-to-open** dans le menu.
3. Pour ouvrir le point de menu, appuyez sur **✓**.
4. Sélectionnez **Force nécess. déclen..**Cette option vous permet de régler la force nécessaire au déclenchement de l'ouverture automatique de la porte.
5. Sélectionnez **Durée d'ouverture**. Cette option vous permet de régler la durée d'entrouverture de la porte avant qu'elle ne se ferme automatiquement.

Remarque : Lorsque la porte est entrouverte, l'appareil vérifie une fois par seconde si elle l'est toujours. Une fois la durée d'ouverture écoulée, l'appareil ferme la porte automatiquement.

Activer le système Pull-to-open (tirer pour ouvrir)

Si vous avez posé la poignée, le système Pull-to-open s'offre à vous. Ce dernier fait en sorte que votre appareil vous aide à ouvrir la porte dès que vous tirez sur la poignée.

1. Ouvrez le menu **Ouverture de porte automatique**.
2. Sélectionnez **Système Pull-to-open** dans le menu.
3. Pour ouvrir le point de menu, appuyez sur **✓**.
4. Sélectionnez **Force nécess. déclen..** Cette option vous permet de régler la force nécessaire au déclenchement de l'ouverture automatique de la porte.

Désactiver l'ouverture automatique de la porte.

1. Ouvrez le menu **Ouverture de porte automatique**.
2. Sélectionnez **Arrêt** dans le menu.

Réseau domestique

Cette fonction vous permet d'établir une connexion entre le réfrigérateur et votre terminal mobile.

→ "Home Connect" à la page 52

Blocage auto. de l'écran pour le nettoyage

Cette fonction vous permet de déterminer si le verrouillage de nettoyage doit s'activer automatiquement dès l'ouverture de la porte.

1. Appuyez sur la touche **S** pour ouvrir le menu principal.
2. Naviguez jusqu'au point de menu **Réglages de base** avec la touche **←**.
3. Appuyez sur la touche **✓**.
4. Naviguez jusqu'au point de menu **Blocage auto. de l'écran pour le nettoyage** avec la touche **←**.
5. Appuyez sur **_** pour modifier le réglage.

Alarme

Alarme de porte

Si la porte de l'appareil reste ouverte pendant une période prolongée, l'alarme de porte s'allume (tonalité permanente).

- Fermer la porte.
L'alarme sonore s'éteint.

Home Connect

Cet appareil est compatible Wi-Fi et peut être commandé à distance via un terminal mobile.

Remarque : Wi-Fi est une marque déposée de la société Wi-Fi Alliance.

Dans les cas suivants, l'appareil fonctionne comme un réfrigérateur sans connexion réseau et peut être manipulé manuellement à l'aide des éléments de commande :

- L'appareil n'est pas connecté à un réseau domestique.
- Le service Home Connect n'est pas disponible dans le pays où est installé l'appareil. Vous trouverez la liste des pays dans lesquels Home Connect est disponible sur www.home-connect.com.

Remarque : Respectez les consignes de sécurité figurant dans la présente notice d'utilisation. Assurez-vous qu'elles sont également respectées si vous utilisez l'appareil via l'application Home Connect alors que vous n'êtes pas à la maison.

→ "*Consignes de sécurité importantes*" à la page 35

Observez également les consignes dans l'application Home Connect.

Configurer Home Connect

Remarques

- Après la mise en marche de l'appareil, attendez au moins 2 minutes avant de configurer Home Connect. L'initialisation interne de l'appareil est alors terminée.
- Observez la fiche Home Connect fournie avec l'appareil ou disponible sous www.gaggenau.com parmi les notices à télécharger. Saisissez le numéro E de votre appareil dans le champ de recherche.

3 étapes de base sont nécessaires pour connecter votre appareil au réseau domestique WLAN (Wi-Fi).

1. Installez l'application.
2. Connectez le réfrigérateur au réseau domestique WLAN (Wi-Fi).
3. Connectez le réfrigérateur à l'application Home Connect.

Menu Réseau domestique

Pour ouvrir le menu **Réseau domestique** :

1. Appuyez sur la touche **S** pour ouvrir le menu principal.
2. Naviguez jusqu'au point de menu **Réglages de base** avec la touche **←**.
3. Pour ouvrir le point de menu, appuyez sur la touche **✓**.
4. Naviguez jusqu'au point de menu **Réseau domestique** avec la touche **←**.
5. Pour ouvrir le point de menu, appuyez sur la touche **↵**.

Remarque : Lors de la première ouverture du menu, vous êtes guidé automatiquement à travers la configuration initiale. Suivez les instructions sur le panneau de commande. Vous trouverez des informations complémentaires dans les chapitres suivants.


6. Sélectionnez le sous-menu souhaité avec les touches **←** **→**.
7. Appuyez sur la touche **X** pour quitter le menu.

Le menu **Réseau domestique** comprend les sous-menus suivants :

- Connexion
- Connecter avec l'application
- Mise à jour du logiciel
- Supprimer les paramètres réseau

Configuration de la connexion au réseau domestique

Lors de la première ouverture du menu, vous êtes guidé automatiquement à travers la configuration initiale. Suivez les instructions sur le panneau de commande.

1. Installez l'application **Home Connect** sur votre terminal mobile.
2. Ouvrez le menu **Réseau domestique** sur le réfrigérateur.
3. Ouvrez l'application sur le terminal mobile.
4. Connectez-vous à l'application ou enregistrez-vous si vous ne disposez pas encore d'un accès.
5. Vérifiez si le routeur de votre réseau domestique comporte une fonction WPS pour la connexion automatique.
6. Si cette fonction est présente, lancez la connexion automatique au réseau avec la touche  et suivez les instructions sur le panneau de commande.

Suivez les instructions sur le panneau de commande.

7. Lancez une connexion manuelle au réseau si cette fonction n'est pas présente, si vous avez un doute quant à sa présence ou en cas d'échec de la connexion automatique.

Le réfrigérateur génère provisoirement son propre réseau auquel le terminal mobile est connecté.

8. Lancez la connexion manuelle au réseau dans l'application du terminal mobile.

Une fois la connexion établie entre le réfrigérateur et le terminal mobile, une connexion est établie entre le réfrigérateur et votre réseau domestique (Wi-Fi).

Remarque : En cas d'impossibilité d'établir la connexion, vérifiez la qualité de la réception.
→ "Contrôler l'intensité du signal" à la page 53

Contrôler l'intensité du signal



L'intensité du signal est indiquée dans la fenêtre de démarrage du menu **Réseau domestique**. Le signal doit avoir une intensité minimale de 50 %. La connexion peut être interrompue si l'intensité du signal est trop faible.

Améliorer l'intensité du signal

- Rapprochez davantage le routeur du réfrigérateur.
- Assurez-vous que la connexion n'est pas perturbée par des murs qui font écran.
- Installez un répéteur pour amplifier le signal.

Connecter le réfrigérateur à l'application Home Connect

Avec ce menu, vous pouvez connecter votre réfrigérateur à des terminaux mobiles.





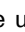

1. Installez l'application **Home Connect** sur votre terminal mobile et connectez ou enregistrez-vous.
2. Ouvrez le menu **Réseau domestique** sur le réfrigérateur.
→ "Configurer Home Connect" à la page 52
3. Naviguez jusqu'au point de menu **Connexion à l'application** avec la touche .
4. Pour ouvrir le point de menu, appuyez sur .
5. Confirmez le message pour afficher le réfrigérateur dans l'application.
6. Ouvrez l'application et attendez que le réfrigérateur s'affiche.
Confirmez la connexion entre l'application et le réfrigérateur en appuyant sur **Ajouter**.
Si le réfrigérateur ne s'affiche pas automatiquement, cliquez dans l'application sur **Ajouter l'appareil** et suivez les instructions. Dès que votre réfrigérateur s'affiche, ajoutez-le avec +.
7. Suivez les instructions de l'application jusqu'à la fin de l'opération.

Installer une mise à jour du logiciel Home Connect

Le réfrigérateur vérifie régulièrement si des mises à jour du logiciel Home Connect sont disponibles.

Si une mise à jour est disponible, un petit point d'exclamation **S[®]** apparaît à la touche **S**.

Installer une mise à jour :


1. Appuyez sur la touche **S[®]**.
Le menu spécial **Avis réseau domestique** s'ouvre.
2. Pour ouvrir le point de menu, appuyez sur .
Une fenêtre d'avis avec les étapes d'installation du nouveau logiciel apparaît.
3. Pour fermer l'avis, appuyez sur la touche .
4. Ouvrez le menu **Réseau domestique** sur le réfrigérateur.
→ "Configurer Home Connect" à la page 52
5. Naviguez jusqu'au point de menu **Mise à jour logicielle** avec la touche .
6. Pour ouvrir le point de menu, appuyez sur .
Remarque : La touche  est visible uniquement en cas de disponibilité d'une mise à jour.
Le logiciel est installé.
7. Un avis apparaît lorsque l'installation est terminée.
8. Appuyez sur la touche  pour fermer la remarque.

Accès au service à la clientèle

Lorsque vous contactez le service à la clientèle, celui-ci peut accéder à votre appareil et à son état avec votre consentement. Pour ce faire, votre appareil doit avoir été connecté au réseau domestique.

Vous trouverez davantage d'informations au sujet de l'accès service à la clientèle et de sa disponibilité dans votre pays sous www.home-connect.com, dans Aide&Soutien.

1. Contactez le service à la clientèle.
→ "Service à la clientèle" à la page 64
2. Confirmez le début de l'accès du service à la clientèle sur votre appareil dans l'application.

Pendant l'accès du service à la clientèle, le symbole  apparaît sur le panneau de commande.

3. Dès que le service à la clientèle a collecté les informations nécessaires, il termine l'accès.

Remarque : Vous pouvez interrompre le diagnostic à distance de manière précoce en désactivant l'accès du service à la clientèle dans l'application Home Connect.

Supprimer les paramètres réseau

Si un problème se présente lors de la tentative d'établissement d'une connexion ou si vous souhaitez inscrire l'appareil dans un autre réseau domestique (WLAN), les réglages de Home Connect peuvent être réinitialisés.

1. Ouvrez le menu **Réseau domestique** sur le réfrigérateur.
→ "Configurer Home Connect" à la page 52
2. Avec la touche **➤**, faites défiler jusqu'au point de menu **Supprimer les paramètres réseau**.
3. Pour ouvrir le point de menu, appuyez sur **_**.
4. Confirmez le message pour supprimer les paramètres réseau.

Pour connecter ensuite de nouveau l'appareil au réseau domestique, refaites la configuration initiale.

→ Page 53

Remarque sur la protection des données

Lors de la première connexion de votre appareil Home Connect à un réseau domestique WLAN (Wi-Fi) branché à Internet, votre appareil transmet les catégories de données suivantes au serveur Home Connect (premier enregistrement) :

- Code d'appareil univoque (constitué de clés d'appareil ainsi que de l'adresse MAC du module de communication Wi-Fi intégré).
- Le certificat de sécurité du module de communication Wi-Fi (pour la protection informatique de la connexion).
- La version actuelle du logiciel et du matériel de l'appareil ménager.
- L'état d'une précédente réinitialisation éventuelle des réglages d'usine.

Ce premier enregistrement prépare l'utilisation des fonctionnalités Home Connect et ne s'avère nécessaire qu'au moment où vous voulez utiliser les fonctions Home Connect pour la première fois.

Remarque : Veuillez noter que les fonctionnalités Home Connect ne sont utilisables qu'avec l'application Home Connect. Vous pouvez consulter les informations sur la protection des données dans l'application Home Connect.

Compartiment congélateur

Le compartiment congélateur sert à :

- stocker des produits surgelés
- la préparation de glaçons
- congeler des produits alimentaires

La température est réglable entre -11 °F (-24 °C)...et $+7\text{ °F}$ (-14 °C).

La congélation vous permet de stocker longtemps les denrées périssables sans pertes notables de qualité vu que les basses températures ralentissent fortement la détérioration ou la stoppent. L'aspect, l'arôme et l'ensemble des ingrédients demeurent préservés dans leur très large majorité.

Le temps nécessaire à ce que les produits frais rangés au congélateur congèlent à cœur dépend des facteurs suivants :

- Température réglée
- Nature du produit alimentaire
- Degré de remplissage du compartiment congélateur
- Quantité et type de stockage

Utiliser l'intégralité du volume de congélation

Pour loger la quantité maximale de produits congelés :

- retirez toutes les pièces d'équipement.
- Déposez les produits alimentaires directement sur les clayettes et le fond du compartiment congélateur.

Achats de produits surgelés

- Vérifiez que l'emballage est intact.
- Ne dépassez pas la date de péremption.
- La température dans le congélateur du supermarché doit être au maximum de 0 °F (-18 °C).
- Ne brisez pas la chaîne de congélation : utilisez de préférence un sac isotherme pour le transport puis rangez les produits le plus rapidement possible dans le compartiment congélateur.

Consignes de rangement

- Congelez des quantités d'aliments plus importantes dans le compartiment supérieur.
C'est là qu'ils seront congelés le plus vite et en douceur.
- Étalez les produits alimentaires sur une grande surface dans les compartiments ou les bacs à produits congelés.
- Veillez à ce que les produits alimentaires à congeler n'entrent pas en contact avec d'autres déjà congelés.
Si nécessaire, réordonnez les produits alimentaires congelés à cœur déjà présents dans les bacs.
- Consigne importante pour que l'air circule de manière impeccable dans l'appareil :
Insérez le bac à produits congelés jusqu'à la butée.

Congeler des produits frais

Pour congeler les aliments, n'utilisez que des aliments frais et d'un aspect impeccable.

Les aliments consommés cuits (y compris au four) et rôtis se prêtent mieux à la congélation que les aliments consommés crus.

Avant la congélation, il faut soumettre les aliments à des processus de préparation différents selon la variété, pour préserver au mieux leur valeur nutritive, leur arôme et leur couleur :

- Légumes : Lavage, broyage, blanchiment.
- Fruits : Lavage, dénoyautage et épluchage au besoin ; ajoutez le cas échéant du sucre ou de l'acide ascorbique en solution.

Vous trouverez des conseils à ce sujet dans la littérature spécialisée.

Vont au congélateur

- Pain et pâtisserie
- Poisson et fruits de mer
- Viande
- Le gibier et la volaille
- Fruits, légumes et herbes
- Les œufs sans coque
- Les produits laitiers, par ex. le fromage, le beurre et le fromage blanc
- Les plats précuisinés et restes de plats, par exemple soupes, ragoûts, viande cuite, poisson cuit, plats à base de pommes de terre, soufflés et mets sucrés

Ne vont pas au congélateur

- Variétés de légumes habituellement dégustées crues, par exemple les salades ou radis
- Œufs avec coque ou les œufs cuits durs
- Raisins
- Pommes, poires, pêches entières
- Yaourt, lait caillé, crème acidulée, crème fraîche et mayonnaise

Emballer les surgelés

La nature correcte de l'emballage et le choix du matériau conditionnent de manière déterminante la préservation de la qualité du produit, et évitent l'apparition de brûlures par le froid.

1. Placez les aliments dans l'emballage.
2. Pressez pour chasser l'air.
3. Fermez hermétiquement l'emballage afin que les produits alimentaires ne perdent pas leur goût ou ne sèchent pas.
4. Indiquez sur l'emballage le contenu et la date de congélation.

Emballage adapté :

- Feuilles en plastique
- Feuilles en polyéthylène
- Feuilles d'aluminium
- Boîtes de congélation

Moyens de fermeture appropriés :

- Caoutchoucs
- Clips en plastique
- Rubans adhésifs résistants au froid

Emballage non approprié :

- Papier d'emballage
- Papier sulfurisé
- Cellophane
- Sacs-poubelles et sacs d'achat déjà utilisés

Durée de conservation des aliments congelés à – 18 °C

Poisson, charcuterie, plats pré-cuisinés, pâtisseries :

Viande, volaille :	jusqu'à 8 mois
Fruits et légumes :	jusqu'à 12 mois

Décongélation des produits

Il faut adapter la méthode de décongélation au produit alimentaire concerné et au but d'utilisation afin de préserver au mieux la qualité du produit.

Méthodes de décongélation :

- Dans le compartiment réfrigérateur (convient particulièrement aux denrées d'origine animale comme le poisson, la viande, le fromage et le fromage blanc)
- À la température ambiante (pain)
- Au micro-ondes (produits alimentaires destinés à une consommation ou une préparation immédiate)
- Four / cuisinière (produits alimentaires destinés à une consommation ou une préparation immédiate)



ATTENTION

Ne remettez pas à congeler des produits alimentaires partiellement ou entièrement décongelés. Vous ne pouvez recongeler qu'après avoir transformé la denrée en plat prêt à déguster (plat cuit, au four compris).

N'utilisez plus intégralement la durée maximale de conservation du produit congelé.

Distribution de glaçons et d'eau

Le distributeur de glaçons et d'eau vous permet d'obtenir :

- de l'eau froide
- de la glace pilée
- des glaçons

Avant la première utilisation

AVERTISSEMENT

Risque de blessure !

N'insérez jamais vos doigts dans l'orifice de distribution du bac à glaçons.

ATTENTION

Ne mettez jamais de bouteilles ou produits alimentaires dans le bac à glaçons. Cela pourrait bloquer et endommager le distributeur.

Remarques

- La distribution de glaçons et d'eau ne fonctionne que si l'appareil a été raccordé à une source d'eau potable.
- Pour des raisons d'hygiène, jetez les 5 premiers verres d'eau et les 30 à 40 premiers glaçons

Le circuit d'eau d'un appareil nouvellement branché pourrait contenir de l'air. Faites couler l'eau jusqu'à ce qu'elle ne contienne plus de bulles d'eau.

Il faut environ 24 heures avant que ne soit prête la première portion de glaçons.

Surveiller la qualité de l'eau potable

Tous les matériaux utilisés dans le distributeur de glaçons et d'eau sont inodores et sans saveur.

Un éventuel arrière-goût dans l'eau pourrait être causé par les facteurs suivants :

- teneur en minéraux et en chlore de l'eau potable,
- matériau de la conduite d'eau
- fraîcheur de l'eau potable

Remarque : Si vous n'avez pas pris d'eau depuis longtemps, elle pourrait goûter l'eau stagnante. Si cela survient, jetez les 15 premiers verres d'eau.

Vous obtiendrez une meilleure qualité d'eau si vous en prenez régulièrement.

Le filtre à eau fourni ne filtre que les particules dans l'eau et non pas les bactéries ou microbes.

Renseignements sur le fonctionnement du distributeur de glaçons

La production de glaçon est lancée dès que le compartiment congélateur atteint la température réglée. Les glaçons préparés descendent automatiquement dans le bac à glaçons.

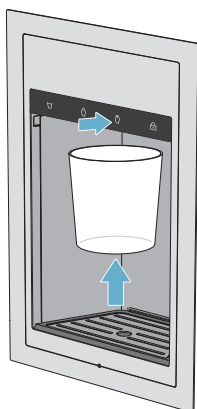
La production de glaçon s'arrête automatiquement dès que le réservoir de glaçons est plein.

Remarque : Pour accélérer la production de glaçons, abaissez la température dans le compartiment congélateur. Cela fera augmenter légèrement l'énergie consommée par votre appareil.

Prélever des glaçons/de l'eau

Remarques

- Pour empêcher la glace de tomber au sol, tenez votre verre directement sous l'orifice de distribution lorsque vous prélevez de la glace pilée.
 - La distribution d'eau s'arrête automatiquement après 30 secondes afin de prévenir les dégâts d'eau. Si vous souhaitez continuer à faire couler l'eau, attendez 5 secondes et appuyez de nouveau sur le bouton.
 - L'eau distribuée est refroidie à une température confortable en bouche. Pour obtenir de l'eau plus froide encore, ajoutez quelques glaçons au verre.
 - Lorsque l'eau coule abondamment, elle pourrait devenir un peu moins froide.
1. Tenez le verre sous l'orifice de distribution de glaçons et d'eau.
 2. Gardez le bouton de distribution enfoncé jusqu'à ce que votre verre contienne la quantité d'eau ou de glace souhaitée.



Dégivrer l'appareil

Compartiment congélateur

Grâce au système NoFrost entièrement automatique, le compartiment congélateur ne se couvre pas de givre. Il n'est plus nécessaire de dégivrer.

Nettoyage

ATTENTION

Évitez d'endommager l'appareil et ses pièces d'équipement.

- N'utilisez aucun produit de nettoyage ni aucun solvant contenant du sable, du chlorure ou de l'acide.
- N'utilisez jamais d'éponges abrasives ou susceptibles de rayer. De la corrosion peut apparaître sur les surfaces métalliques.
- Ne nettoyez jamais les clayettes et les bacs au lave-vaisselle. Ces pièces pourraient se déformer!

Procédez comme suit :

1. Appuyez sur l'interrupteur principal Marche / Arrêt.
2. Sortez les produits alimentaires et rangez-les dans un endroit frais.
Si applicable : Déposez l'accumulateur de froid sur les produits alimentaires.
3. Ne nettoyez l'appareil qu'avec un chiffon doux, de l'eau tiède et du produit à vaisselle présentant un pH neutre.

ATTENTION

Veillez à ce que l'eau de rinçage ne pénètre pas dans le système d'éclairage et qu'elle ne gagne pas la zone d'évaporation via l'orifice d'écoulement.

4. Essuyez le joint de porte avec de l'eau claire et frottez soigneusement pour le sécher.
5. Raccordez à nouveau l'appareil, mettez-le sous tension et rangez les produits alimentaires.

Consignes d'entretien pour les surfaces en inox

Pour nettoyer les surfaces en inox, n'utilisez que des nettoyeurs et un linge spécialement conçus pour ce type de surface.

Pour obtenir un linge spécialement conçu pour les surfaces en inox, adressez-vous au service à la clientèle.

Afin de prévenir les marques à la surface de l'appareil, il faut essuyer la surface en inox dans la direction de sa structure.

Nettoyer l'écran

Suite au changement de températures et à l'humidité de l'air, les éléments de commande peuvent s'embuer.

Aux fins du nettoyage, activez le verrouillage de nettoyage.

→ "Blocage écran pour nettoyage" à la page 47

Utilisez un chiffon en microfibres pour le nettoyage.

Nettoyer l'équipement

Pour nettoyer, retirer les pièces variables de l'appareil.

→ "Équipement" à la page 44

Bac à glaçons

⚠ ATTENTION

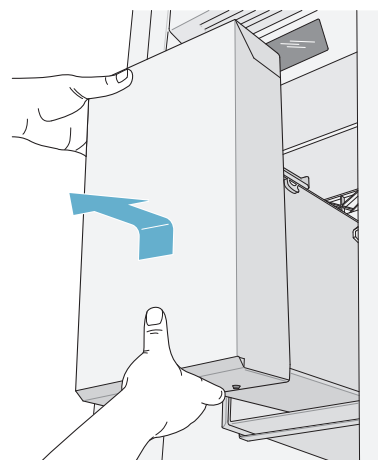
Un bac rempli de glaçons est lourd :
Retirez le bac avec les deux mains.

⚠ ATTENTION

Risque d'engelures provoquées par le froid :
Évitez tout contact prolongé de la peau avec le produit congelé, la glace et les tubulures présents dans le compartiment congélateur.

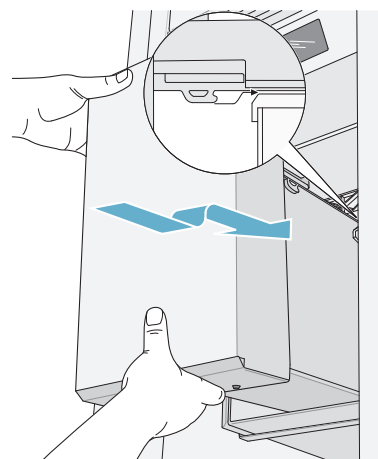
Pour vous assurer de toujours avoir des glaçons frais et prévenir leur agglutinement, retirez et nettoyez régulièrement le bac à glaçons.

1. Soulevez le bac à glaçons.
2. Retirez lentement le bac à glaçons.



3. Videz le bac à glaçons et nettoyez-le avec de l'eau tiède.
4. Séchez bien l'intérieur du bac afin d'empêcher les nouveaux glaçons d'adhérer aux parois.
5. Réinsérez le bac et poussez-le jusqu'à ce qu'il encrante.

Remarque : Si le bac à glaçons est difficile à réinsérer, faites tourner le dispositif de transport et essayez de nouveau.



Bac d'égouttage

Vous pouvez retirer le bac d'égouttage pour le nettoyer.

1. Retirez la grille de l'égouttoir.
2. Retirez le bac d'égouttage.
3. Videz le bac d'égouttage.
4. Replacer le bac d'égouttage et la grille de l'égouttoir.

Bruits

Bruits normaux

Bourdonnement : Un moteur tourne, par exemple le groupe frigorifique, un ventilateur.

Gargouillis, ronflement ou clapotis : Le fluide frigorigène circule dans les tuyaux.

Cliquetis : Le moteur, les interrupteurs ou les électrovannes s'allument / s'éteignent.

Craquement : Le dégivrage automatique est en cours.

Prévenir les bruits

L'appareil ne repose pas d'aplomb : Ajustez l'appareil à l'aide d'un niveau à bulle. Si nécessaire, insérez quelque chose sous l'appareil.

Des récipients, clayettes ou rangements vacillent ou se coincent : Vérifiez les pièces d'équipement amovibles et replacez-les au besoin.

Éclairage

Votre appareil est équipé d'un éclairage par LED ne demandant pas d'entretien.

Seul le service à la clientèle ou des spécialistes agréés sont autorisés à réparer l'éclairage.

Que faire en de problème.

Avant d'appeler le service à la clientèle, veuillez vérifier si le tableau ci-dessous ne contient pas déjà la solution qu'il vous faut.

Appareil

La température réelle diffère fortement de la température réglée.

Éteindre l'appareil pendant 5 minutes.

→ *"Arrêter et remiser l'appareil"* à la page 46

Si la température est trop élevée, vérifiez-la à nouveau au bout de quelques heures.

Si la température est trop basse, vérifiez-la à nouveau le jour suivant.

Aucun voyant ne s'allume.

Fiche mâle incorrectement branchée dans la prise de courant.	Rebranchez la fiche de contact.
--	---------------------------------

Fusible déclenché.	Inspecter les fusibles.
--------------------	-------------------------

Le courant est en panne.	Vérifier la présence de courant.
--------------------------	----------------------------------

Le groupe frigorifique s'enclenche de plus en plus souvent et longtemps.

L'appareil a été ouvert fréquemment.	N'ouvrez pas l'appareil inutilement.
--------------------------------------	--------------------------------------

Les orifices de ventilation sont bouchés.	Enlevez les obstacles.
---	------------------------

L'appareil ne réfrigère pas, l'affichage et l'éclairage sont allumés.

Le mode démonstration est activé.

Éteignez le mode Vacances.

→ *"Activer ou désactiver le mode démo"* à la page 50

La porte ne s'ouvre pas en appuyant dessus.

Un mode spécial a désactivé l'ouverture automatique de la porte.	Ouvrez la porte en la saisissant par le bas, sous la plaque d'ameublement, ou désactivez le mode spécial. → <i>"Activer ou désactiver le mode repos"</i> à la page 50
--	--

Le mode Pull-to-open est activé.	Réglez l'appareil en mode Push-to-open. → <i>"Ouverture de porte automatique"</i> à la page 51
----------------------------------	---

La force nécessaire au déclenchement est trop élevée.	Abaissez la force nécessaire au déclenchement. → <i>"Ouverture de porte automatique"</i> à la page 51
---	--

Fusible déclenché.	Inspectez les fusibles.
--------------------	-------------------------

Le courant est en panne.	Vérifier la présence de courant.
--------------------------	----------------------------------

Distribution de glaçons et d'eau

Il y a production et distribution de glace, mais pas d'eau.

Défaut de l'appareil.

Contactez le service à la clientèle.

→ "Service à la clientèle" à la page 64

La distribution de glaçons et d'eau ne fonctionne pas.

Les éléments de commande pour la distribution de glaçons et d'eau sont bloqués (protection enfants).

Débloquez les éléments de commande pour la distribution de glaçons et d'eau.

Les glaçons peuvent s'agglutiner et bloquer le distributeur ou l'orifice de distribution du bac.

1. Ouvrez la porte. Regardez à l'intérieur pour voir si des glaçons se sont agglutinés dans l'orifice de distribution d'eau et de glaçons.
2. Si l'orifice de distribution n'est pas bloqué, retirez prudemment le bac à glaçons.

ATTENTION

Un bac rempli de glaçons est lourd! Saisissez-le avec les deux mains et procédez lentement.

3. Retirez les glaçons agglutinés.

Il y a trop peu de glaçons dans le réservoir si l'appareil vient d'être allumé ou si le distributeur a servi abondamment.

Il faut environ 24 heures au réservoir à glaçons vide pour se remplir.

Le réservoir d'eau est en train d'être rempli.

Lors de la première utilisation, il faut environ 2 minutes au réservoir d'eau pour se remplir.

La pression de l'eau est basse.

Raccordez l'appareil à une conduite dont la pression hydraulique est suffisante.

Le filtre à eau/filtre à particules est bloqué ou doit être remplacé.

Remplacez le filtre à eau/nettoyez le filtre à particules.

Le distributeur de glaçons ne fonctionne pas.

La production de glace a été désactivée.

Relancer la production de glace.

Le compartiment congélateur n'est pas assez froid.

Abaissez la température.

→ "Utiliser l'appareil" à la page 46

Le bac à glaçons n'est pas correctement mis en place.

Remettez en place le bac à glaçons.

Le distributeur de glaçons est en panne.

Contactez le service à la clientèle.

→ "Service à la clientèle" à la page 64

Aucune alimentation d'eau.

Contrôlez le raccordement à la source d'eau et contactez un installateur au besoin.

La pression de l'eau est basse.

Raccordez l'appareil à une conduite dont la pression hydraulique est suffisante.

Le tube d'entrée est plié.

Coupez l'arrivée d'eau, redressez le tube. Remplacez le tube au besoin.

Les glaçons sont déformés ou trop peu nombreux, la pression de l'eau est inhabituellement faible.

Il y a trop peu de glaçons dans le réservoir si l'appareil vient d'être allumé ou si le distributeur a servi abondamment.	Il faut environ 24 heures au réservoir à glaçons vide pour se remplir.
La pression de l'eau est basse.	Raccordez l'appareil à une conduite dont la pression hydraulique est suffisante.
Le filtre à eau/filtre à particules est bloqué ou doit être remplacé.	Remplacez le filtre à eau/nettoyez le filtre à particules.
Le compartiment congélateur n'est pas assez froid.	Abaissez la température. → <i>"Utiliser l'appareil"</i> à la page 46

De l'eau s'écoule de l'appareil.

La prise d'eau n'est pas étanche.	Assurez-vous que les raccords sont bien serrés et que le boyau d'eau est en bonne condition. Si le boyau d'eau est endommagé, contactez le service à la clientèle pour le faire remplacer. Tout remplacement doit être effectué par le service à la clientèle ou une personne dûment qualifiée. N'utilisez que des pièces de rechange d'origine venant du fabricant.
-----------------------------------	---

Service à la clientèle

Si le problème persiste, veuillez vous adresser à notre service à la clientèle. Nous trouverons toujours une solution adaptée afin d'éviter entre autres des déplacements inutiles d'un technicien.

Vous trouverez ici ou dans le répertoire de service les coordonnées du service à la clientèle le plus proche.

Lors de l'appel, veuillez indiquer le numéro de série (E-Nr) et le numéro de fabrication (FD) que vous trouverez sur la plaque signalétique.

→ "Présentation de l'appareil" à la page 42

Faites confiance aux compétences du fabricant. Vous vous assurez ainsi que les réparations sont réalisées par des techniciens dûment formés qui disposent des pièces de rechange d'origine convenant à votre appareil électroménager.

Autodiagnostic de l'appareil

Votre appareil comprend un programme d'autodiagnostic affichant les défauts que votre service à la clientèle peut corriger.

1. Appuyez sur la touche **S** pour ouvrir le menu principal.
2. Naviguez jusqu'au point de menu **Autocontrôle** avec la touche **➤**.
3. Lancer l'autocontrôle de l'appareil avec la touche **✓**.
L'autocontrôle commence.
4. Toutes les erreurs constatées seront affichées à l'écran. Veuillez suivre les instructions pour les corriger.
5. L'appareil redémarre.
6. Pendant 10 secondes, l'écran indiquera que l'autocontrôle est terminé. Vous pouvez acquiescer ce message avec la touche **✓**.

Après l'autocontrôle, l'appareil retourne en mode d'opération normal.

Commande de réparation et conseils en cas de problèmes

Vous trouverez les données de contact pour tous les pays dans l'annuaire de service à la clientèle ci-joint.

É-U 877 442 4436 Sans frais

es Índice

Indicaciones de seguridad importantes	67
Definiciones	67
Acerca de este manual	67
Introducción	67
Peligro de explosión	67
Riesgo de descarga eléctrica	68
Peligro de quemaduras por frío	68
Peligro de lesiones	68
Riesgo de incendio	68
Evitar riesgos para los niños y las personas vulnerables	69
Daños materiales	69
Peso	69
Advertencias en virtud de la Proposición 65 del estado de California	69
Uso previsto	70
Protección del medio ambiente	70
Embalaje	70
Aparato usado	70
Instalación y conexión	71
Material entregado	71
Datos técnicos	71
Instalar el aparato	71
Verificar el hueco de encastre	71
Instalación side by side	71
Ahorrar energía	72
Antes del primer uso	73
Conexión a la toma de agua	73
Conexión a la red eléctrica	73
Familiarizándose con el aparato	74
Aparato	74
Controles	74
Dispensador de hielo y agua	75
Equipamiento	76
Manejo del electrodoméstico	78
Encender el aparato	78
Apagar y cerrar el aparato	78
Ajustar la temperatura	78
Congelación rápida	78
Display-Bloqueo para limpieza	79
Encender o apagar la producción de cubitos de hielo	79
Modo Eco	79
Restablecer el contador del filtro de agua	79
Autocomprobación	79
Ajustar el brillo del panel de control	79

Ajustar display	80
Ajustar el color del panel táctil	80
Ajustar el tono del panel táctil	80
Ajustar el volumen del tono del panel táctil	80
Ajustar el volumen de la señal acústica	80
Encender y apagar el contador del filtro de agua	81
Oscurecer al abrir y cerrar la puerta	81
Luz del dispensador de hielo y agua	81
Sensor de proximidad del dispensador de hielo y agua	81
Ajustar de la unidad de temperatura	81
Seleccionar el idioma	82
Restablecer el ajuste de fábrica	82
Encender o apagar el Modo Demo	82
Modo-Reposo	82
Apertura automática de puerta	83
Red doméstica	83
Display-Bloqueo automático para limpieza	83

Alarma	83
Alarma de la puerta	83

Home Connect	84
Configurar Home Connect	84
Conectar el aparato para refrigeración con la aplicación Home Connect	85
Instalar la actualización de software de Home Connect	85
Acceso del servicio al cliente	86
Borrar los ajustes de red	86
Indicaciones sobre protección de datos	86

Congelador	87
Aprovechar toda la capacidad de congelación del aparato	87
Al comprar alimentos congelados	87
Al ordenar prestar atención	87
Congelar los alimentos frescos	87
Descongelar los productos congelados	88

Dispensador de hielo y agua	89
Antes del primer uso	89
Téngase en cuenta la calidad del agua de red	89
Información sobre el funcionamiento de la máquina de hielo	89
Dispensar hielo y agua	89

Descongelación	90
Congelador	90

Limpiar	90
Indicación para la conservación de superficies de acero inoxidable	90
Limpiar la pantalla	90
Limpiar los accesorios	91
Ruidos	92
Ruidos normales	92
Evitar ruidos	92
Iluminación	92
¿Qué hacer en caso de avería?	93
Aparato	93
Dispensador de hielo y agua	94
Servicio al cliente	96
Autoprueba del aparato	96
Solicitud de reparación y asesoramiento en caso de averías	96



Indicaciones de seguridad importantes

¡LEER Y CONSERVAR ESTAS INDICACIONES!

Definiciones



ADVERTENCIA

Hacer caso omiso de esta advertencia puede causar lesiones graves o la muerte.



ATENCIÓN

Hacer caso omiso de esta advertencia puede provocar lesiones leves o moderadas.

AVISO

Hacer caso omiso de esta advertencia puede causar daños al aparato.

Nota: Esto indica información y/o consejos importantes.

Acerca de este manual

- Lea y siga las instrucciones de uso y de montaje. Ellas contienen información importante sobre la instalación, uso y mantenimiento del aparato.
- El fabricante no se hace responsable, si usted ignora las indicaciones y advertencias de las instrucciones de uso y montaje.
- Guarde todas las instrucciones de uso y de montaje para futuras consultas y posteriores propietarios.

Introducción

- Este aparato cumple las normas específicas de seguridad para aparatos eléctricos.
- La estanqueidad del circuito de refrigeración viene verificada de fábrica.

Peligro de explosión

- Nunca use aparatos eléctricos en el interior del aparato (por ejemplo, calefactores o máquinas eléctricas para hacer hielo).
- No guarde productos que contengan gases propelentes o inflamables (por ejemplo, latas de aerosol), ni tampoco materiales explosivos en el aparato.
- Almacene el alcohol de alta graduación solamente en recipientes herméticos y en posición vertical.
- Con excepción de las indicaciones del fabricante, no adoptar medidas adicionales para acelerar la descongelación.



Indicaciones de seguridad importantes

¡LEER Y CONSERVAR ESTAS INDICACIONES!

Riesgo de descarga eléctrica

Una incorrecta instalación o reparación puede implicar serios peligros para el usuario.

- Al instalar el aparato, debe prestarse atención a que el cable de conexión a la red eléctrica no quede atrapado ni se dañe.
- Si el cable de conexión a la red eléctrica está dañado: desenchufe el aparato de la toma de corriente inmediatamente.
- No utilice nunca tomas de corriente múltiples ni cables de prolongación o adaptadores.
- Antes de realizar el mantenimiento o modificaciones en el electrodoméstico, desconectar el enchufe o apagar el fusible.
Antes de limpiar el electrodoméstico, pulsar el **interruptor principal para conexión/desconexión** para apagarlo. Es posible cambiar de lugar las bandejas de cristal u otras piezas de equipamiento sin peligro mientras el aparato está conectado.
- Nunca corte o retire el tercer conductor (conductor a tierra) del cable de conexión a la red eléctrica.
- Nunca utilice ningún tipo de limpiador de vapor para derretir la escarcha o limpiar el aparato. El vapor puede llegar a las piezas eléctricas y causar un cortocircuito.

- El aparato, cables y accesorios solamente deben ser reparados o cambiados por el fabricante, por el personal de Servicio de Atención al Cliente o por una persona con una cualificación similar.
- Utilice únicamente piezas originales del fabricante.

Peligro de quemaduras por frío

- Nunca introduzca los alimentos congelados - inmediatamente después de sacarlos del congelador - directamente en la boca.
- Evite el contacto prolongado de la piel con los alimentos congelados, el hielo o los tubos del congelador.

Peligro de lesiones

Los envases con bebidas carbonatadas pueden estallar.
No almacene envases con bebidas carbonatadas en el congelador.



Riesgo de incendio

Las tomas de corriente múltiples portátiles o las fuentes de alimentación portátiles pueden sobrecalentarse y provocar incendios.
No colocar tomas de corriente múltiples portátiles ni fuentes de alimentación portátiles detrás del aparato.



Indicaciones de seguridad importantes

¡LEER Y CONSERVAR ESTAS INDICACIONES!

Evitar riesgos para los niños y las personas vulnerables

En situación de riesgo se encuentran:

- niños,
- personas con sus facultades físicas, sensoriales o perceptivas mermadas,
- personas que carecen de los conocimientos necesarios relativos al manejo seguro del aparato.

Medidas:

- Nunca deje que los niños jueguen con el aparato.
- Asegurarse de que los niños y las personas vulnerables han entendido los peligros.
- Supervisar los niños durante las tareas de limpieza y mantenimiento.

Peligro de asfixia

- En caso de disponer la unidad de una cerradura, guardar la llave fuera del alcance de los niños.
- No dejar el embalaje o sus partes a los niños.

Daños materiales

Para evitar daños materiales:

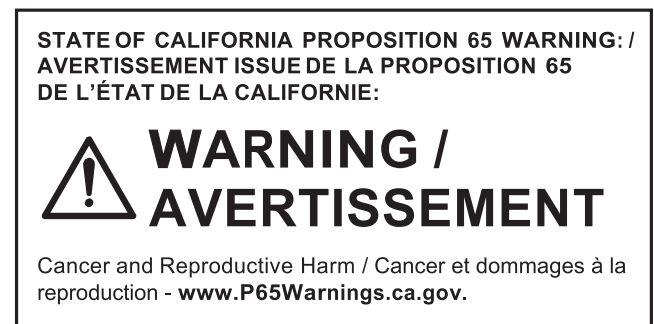
- No pise, ni se apoye sobre el zócalo, cajones o puertas.
- Mantenga las piezas de plástico y juntas de goma limpias de aceites y grasas.
- Tirar del enchufe - no del cable de conexión.

Peso

El aparato es muy pesado. Realizar la instalación y el transporte del aparato siempre con un mínimo de 2 personas.
→ "Instalar el aparato"
en la página 71

Advertencias en virtud de la Proposición 65 del estado de California

Este producto puede contener un químico que el Estado de California reconoce como potencialmente cancerígeno o causante de daños reproductivos. Por tanto, su producto debe llevar en su embalaje la siguiente etiqueta de conformidad con la legislación de California:



Uso previsto

Use este aparato

- solamente para congelar alimentos, para la fabricación de hielo y para dispensar agua potable.
- solo para uso doméstico o en el entorno del hogar.
- solo de acuerdo a estas instrucciones de uso.

Este aparato está diseñado para ser utilizado hasta una altura máxima de 2,000 metros sobre el nivel del mar.

Protección del medio ambiente

Embalaje

Todos los materiales son ecológicos y reciclables:

- Deseche el embalaje conforme a la normativa medioambiental.
- Pregunte a su Distribuidor o en su Administración Pública acerca de los métodos de eliminación.



Eliminar el embalaje del aparato de acuerdo con las regulaciones para la protección del medio ambiente.



Elimine el embalaje de forma respetuosa con el medio ambiente.

Aparato usado

Mediante una eliminación respetuosa con el medio ambiente, se pueden recuperar materias primas valiosas.



ADVERTENCIA

¡Los niños se pueden encerrar y asfixiar en el aparato!

Antes de eliminar el aparato usado:

- Desmontar las puertas.
- Dejar las bandejas y recipientes dentro del aparato, para dificultar que los niños se suban.
- Mantenga a los niños lejos de los aparatos usados.



ATENCIÓN

Se pueden escapar refrigerantes y gases nocivos.

No dañe las tuberías del circuito de refrigeración y aislamiento.

-
1. Desconecte el enchufe.
 2. Corte el cable de conexión del aparato.
 3. Eliminar el aparato correctamente.

Instalación y conexión

Material entregado

Verifique que las piezas no presentan daños ni desperfectos debidos al transporte tras desembalarlas.

Si tiene alguna queja deberá dirigirse al distribuidor en donde adquirió su electrodoméstico o a nuestro Servicio de Atención al Cliente.

→ *"Servicio al cliente" en la página 96*

El envío consta de los siguientes elementos:

- Aparato para instalación integrada
- Equipamiento (según modelo)
- Material de montaje
- Instrucciones de uso
- Instrucciones de instalación
- Cuaderno de Servicio al cliente
- Suplemento de la garantía
- Informaciones sobre el consumo de energía y los ruidos del aparato

Datos técnicos

El refrigerante utilizado, la capacidad útil y otros datos técnicos se encuentran en la placa de identificación.

→ *"Familiarizándose con el aparato" en la página 74*

Instalar el aparato

Lugar de instalación

El peso de su aparato puede ser de hasta 460 kg, dependiendo del modelo. El piso debe ser lo suficientemente estable, no debe ceder por el peso. Si es necesario, refuerce el piso.

Verificar el hueco de encastre

El hueco debe cumplir con los siguientes criterios:

- Se deben montar escuadras antivuelco
- Profundidad del hueco mínima de 24" (610 mm), para instalación a ras 25" (635 mm)
- rectangular
- estable - las paredes laterales y el techo deben tener un espesor de al menos 5/8" (16 mm) y estar bien sujetos al suelo o la pared
- Profundidad mínima de paredes laterales acortadas 4" (100 mm)

Instalación side by side

En caso de una instalación side by side favor de tener en cuenta las prescripciones contenidas en las instrucciones de montaje.

Si es necesaria una pared de separación entre los aparatos, ésta debe ser al menos de 5/8" (16 mm) de ancho.

Ahorrar energía

Si sigue estas instrucciones, el aparato consume menos corriente.

Nota: La disposición de las piezas de equipo no afectará el consumo de energía de aparato.

Instalar el aparato

Proteger el aparato de la luz directa del sol.	Cuando la temperatura ambiente es más baja, el aparato enfría con menos frecuencia, consumiendo menos corriente.
Coloque el aparato a la mayor distancia posible de radiadores, estufas u otras fuentes de calor:	
Distancia mínima de 1¼" (3 cm) con estufas eléctricas o de gas.	
Distancia mínima de 11¼" (30 cm) con estufas de aceite o carbón.	
Seleccione el lugar de instalación con una temperatura ambiente de aproximadamente 68 °F (20 °C).	
No cubrir u obstruir las aberturas de ventilación.	Cuando el aire caliente puede salir, el aparato enfría con menos frecuencia y por lo tanto consume menos corriente.
Ventilar diariamente la habitación.	

Usar el aparato

Abrir la puerta del aparato solo brevemente.	El aire en el aparato no se calienta tanto. El aparato debe enfriar con menos frecuencia y, con ello, consumir menos corriente.
Transporte los alimentos en una hielera y colóquelos inmediatamente en el aparato.	
Dejar enfriar los alimentos o bebidas calientes hasta temperaturas ambientes antes de introducirlos en el aparato.	
Para utilizar el frío de los productos congelados descongele los productos congelados en el compartimento refrigerador.	
Siempre deje un poco de espacio entre los alimentos y el panel posterior.	El aire puede circular y la humedad del aire permanece constante. El aparato debe enfriar con menos frecuencia y, con ello, consumir menos corriente.
Envasar herméticamente los alimentos.	
No cubrir ni obstruir las aberturas de ventilación.	El aparato consume menos corriente cuando el aire caliente puede salir.
Aspirar las aberturas de ventilación una vez al año.	

Antes del primer uso

1. Retirar el material informativo y eliminar las cintas adhesivas, así como las láminas protectoras.
2. Limpiar el aparato.
→ "Limpiar" en la página 90

Conexión a la toma de agua

ATENCION

La instalación y la conexión del aparato deben ser realizadas por personal especializado de acuerdo con las instrucciones de instalación adjuntas.

ATENCION

Para evitar daños al aparato y para garantizar el correcto funcionamiento de la unidad, conectar el aparato solamente a una tubería de agua potable.

ATENCION

Para evitar daños por agua, se debe instalar una válvula de cierre.

Presión del agua de la tubería de agua potable

ATENCION

Para evitar daños al aparato, se debe instalar un limitador de presión entre la toma de agua y el juego de mangueras, si la presión del agua excede el valor máximo.

Nota: Si la presión del agua es demasiado baja, las funciones correspondientes del aparato se verán perjudicadas.

- Por lo menos 0.2 Mpa (2 bar / 29 psi)
- Máximo 0.8 Mpa (8 bar / 116 psi)

Conexión a la red eléctrica

ATENCION

No conecte el aparato a enchufes de ahorro de energía electrónicos.

Nota: El aparato se puede conectar a convertidores conmutados por red o de onda sinusoidal.

Los convertidores conmutados por red se emplean en las instalaciones fotovoltaicas conectadas directamente a la red pública de abastecimiento de corriente eléctrica. En instalaciones aisladas deberán emplearse los convertidores de onda sinusoidal. Las instalaciones aisladas, por ejemplo en barcos o refugios de montaña, no tienen conexión directa a la red pública de corriente eléctrica.

1. Después de instalar el aparato, esperar al menos 1 hora antes de conectarlo, para evitar daños en el compresor.
2. Asegúrese de que la toma de corriente se ha instalado correctamente y cumple con los requerimientos exigidos.

Requisitos para las tomas de corriente

Toma de corriente de	110 V ... 120 V
Conductor de protección	60 Hz
Fusible	10 A ... 16 A

Carga simultánea máxima

Aparato	6 A
---------	-----

3. Conecte el aparato a una toma de corriente cerca del aparato.

La toma de corriente debe estar fácilmente accesible después de la instalación del aparato.

ADVERTENCIA

¡Riesgo de descarga eléctrica!

No utilice nunca tomas de corriente múltiples, ni cables de prolongación o adaptadores.

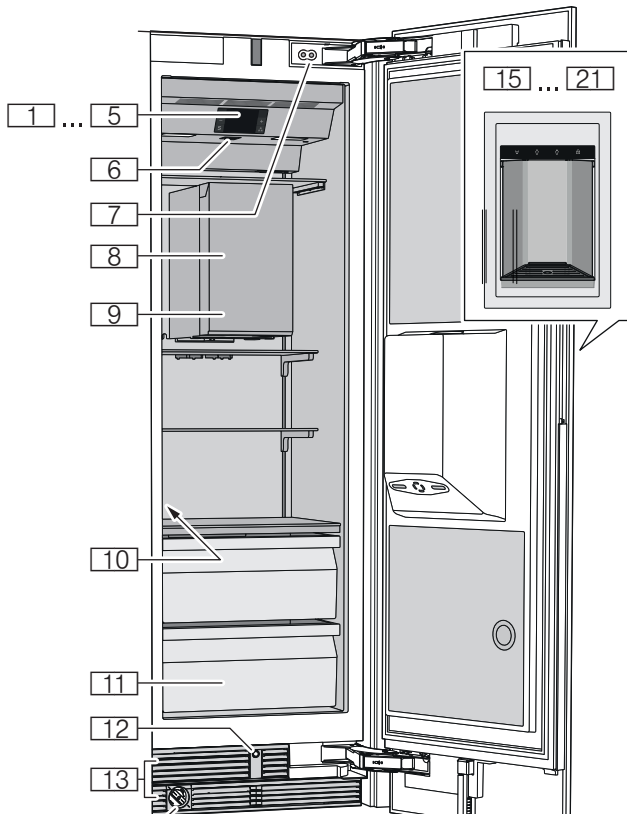
El aparato debe estar conectado a tierra adecuadamente.

Nunca corte o retire el tercer conductor (conductor a tierra) del cable de conexión a la red eléctrica.

¡Riesgo de descarga eléctrica!

Si la longitud del cable de conexión a la red eléctrica no es suficiente, no utilice nunca ni tomas de corrientes múltiples ni cables de prolongación. Contacte al Servicio de atención al cliente para mayor información.

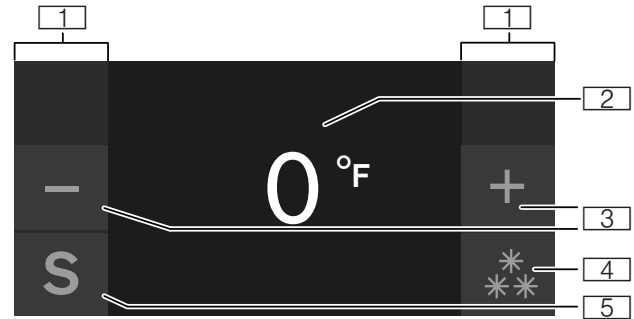
Familiarizándose con el aparato



Aparato

- 1...5** Controles
- 6** Interruptor principal Encendido/Apagado
- 7** Amortiguador de puerta
- 8** Máquina de hielo
- 9** Depósito para cubitos de hielo
- 10** Placa de características
- 11** Recipiente para productos congelados
- 12** Apertura automática de puerta
- 13** Abertura de ventilación
- 14** Filtro de agua
- 15...21** Dispensador de hielo y agua

Controles



- 1** Campos táctiles
Bajo los campos táctiles, hay sensores. Tocar el ícono llama a la función correspondiente.
- 2** Indicación de la temperatura del congelador
Muestra la temperatura programada en °C/°F.
- 3** Teclas **-/+**
Sirven para cambiar la temperatura.
- 4** La tecla ****/****
activa o desactiva la función de congelación rápida.
- 5** Tecla **S**
Abre el menú principal.

Menú principal

Pulsar la tecla **S** para abrir el menú principal.

En el menú principal encontrará:

- Ajustes básicos
- Display-Bloqueo para limpieza
- Producción de cubitos de hielo
- Modo-Eco
- Restablecer contador de filtro de agua
- Autotest
- Modo-Reposo (si está activado)

→ "Manejo del electrodoméstico" en la página 78

Menú Ajustes básicos

Para acceder al menú **Ajustes básicos**:

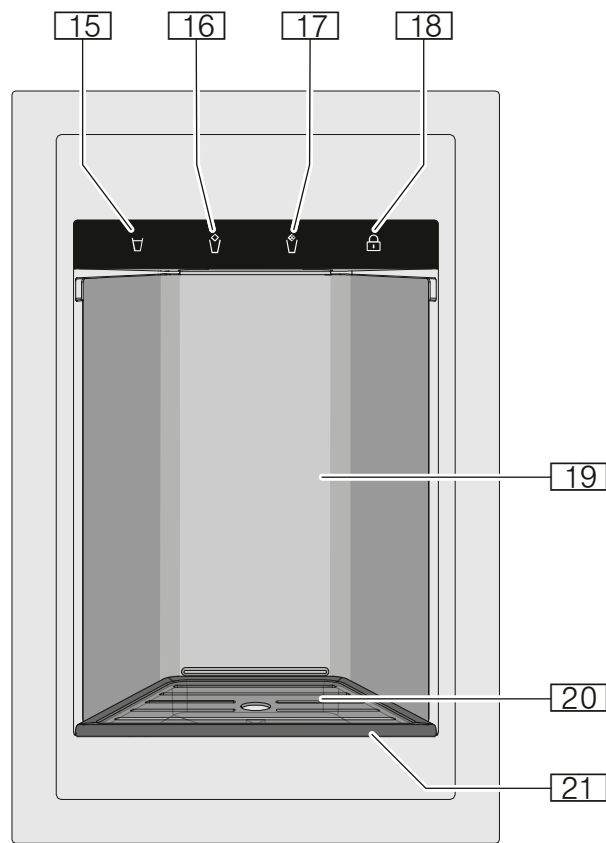
1. Pulsar la tecla **S**.
2. Con la tecla **◀** desplazarse a la opción de menú **Ajustes básicos**.
3. Abrir el menú con la tecla **✓**.

En el menú **Ajustes básicos** encontrará los siguientes submenús y posibilidades de ajuste:

- Brillo
- Display
- Color del panel táctil
- Tono del panel táctil
- Volumen del tono del panel táctil
- Volumen de la señal acústica
- Contador filtro de agua
- Oscurecer al abrir y cerrar la puerta
- Luz del dispensador de hielo y agua
- Sensor de proximidad del dispensador de hielo y agua
- Unidad de temperatura
- Idioma
- Ajustes de fábrica
- Modo Demo
- Modo-Reposo
- Apertura automática de la puerta
- Red doméstica
- Display-Bloqueo automático para limpieza

→ "Manejo del electrodoméstico" en la página 78

Dispensador de hielo y agua

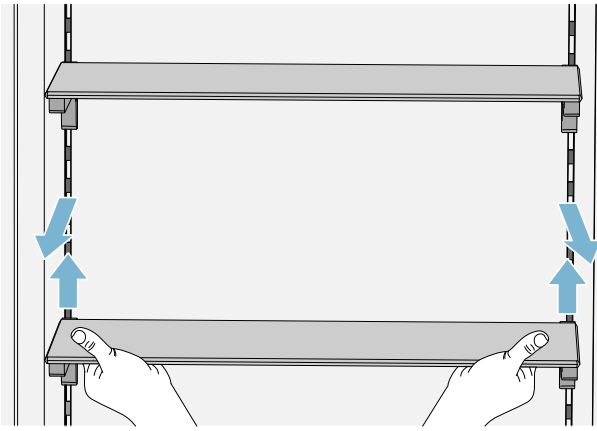


- 15** Tecla **WATER**
Inicia el dispensador de agua.
- 16** Tecla **CUBED**
Inicia el dispensador de hielo.
- 17** Tecla **CRUSHED**
Inicia el dispensador de hielo triturado.
- 18** Tecla **LOCK**
Bloquea los elementos de manejo del dispensador de hielo y agua (seguro para niños). Mantener pulsado 3 segundos para encender y apagar.
- 19** Tapa del dispensador de hielo y agua
- 20** Rejilla de goteo
- 21** Bandeja de goteo

Equipamiento

Bandeja

Puede sacar y variar la bandeja:



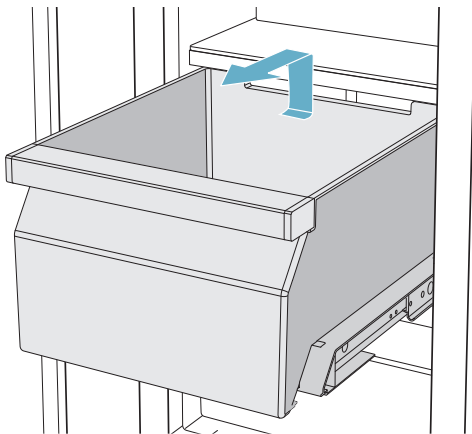
1. Levantar la bandeja y sacarla.
2. Al colocarla, inserte los ganchos en la parte posterior de la bandeja a la misma altura, de modo que la bandeja quede recta.

Nota: Coloque la bandeja con cuidado, para no rayar en el aparato.

recipientes

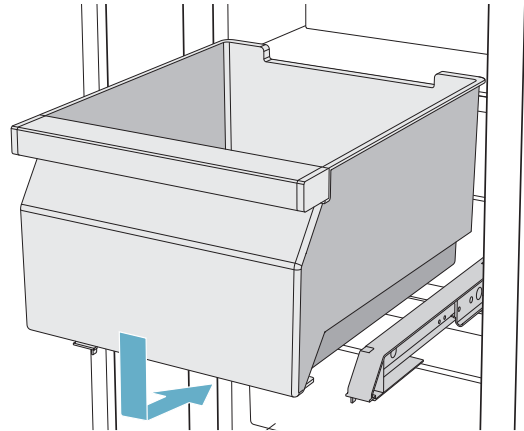
Para retirar el recipiente:

- Presione el recipiente hacia atrás,
- Levante el recipiente por detrás y extráigalo.



Para colocar el recipiente:

- Extraiga completamente los carriles telescópicos
- Coloque el recipiente en los carriles telescópicos y empújelo en el aparato hasta que encastre.



Acumulador de frío

En caso de corte de corriente o avería:

- Los acumuladores de frío retrasan el calentamiento de los productos congelados almacenados.

Nota: El período de almacenamiento es más largo, si se colocan los acumuladores de frío en el compartimento superior, directamente sobre los alimentos.

Puede sacar los acumuladores de frío para mantener los alimentos temporalmente frescos, por ejemplo, en una hielera portátil.

Máquina de hielo

⚠ ATENCION

¡Daños en el aparato!

No almacene nunca botellas o alimentos en los recipientes de los cubitos de hielo, ni siquiera por un corto período de tiempo. Debido a esto, se puede bloquear la máquina de hielo y dañarse.

La producción de hielo se inicia tan pronto como el aparato alcance la temperatura establecida.

Notas

- Por motivos de higiene, deseche los primeros 30-40 cubitos de hielo.
- La producción de hielo se detiene automáticamente cuando el recipiente está lleno de hielo.

Información para encender o apagar la producción de cubitos de hielo

→ "Encender o apagar la producción de cubitos de hielo" en la página 79

Filtro de agua

Debe reemplazar el filtro de agua, a más tardar, después de 6 meses.

Si el hielo sabe desabrido, deseche los cubitos de hielo restantes y los que se produzcan en las próximas 24 horas. Si después de eso el hielo sigue sabiendo desabrido, cambie el filtro del agua.

Nota: También puede utilizar el dispositivo sin filtro de agua. Para ello cambie el filtro de agua por un cartucho de filtro con bypass. Apague el contador de filtro de agua. No es necesario cambiar el cartucho de filtro con bypass.

Puede obtenerse un nuevo filtro de agua o un cartucho de filtro con bypass a través del Servicio al cliente o de un distribuidor.

Cambiar el filtro de agua o sustituirlo por un cartucho de filtro con bypass

Se puede cambiar el filtro de agua o sustituirlo por un cartucho de filtro con bypass. El cartucho de filtro con bypass puede quedarse permanentemente en el aparato, no necesita cambiarse.

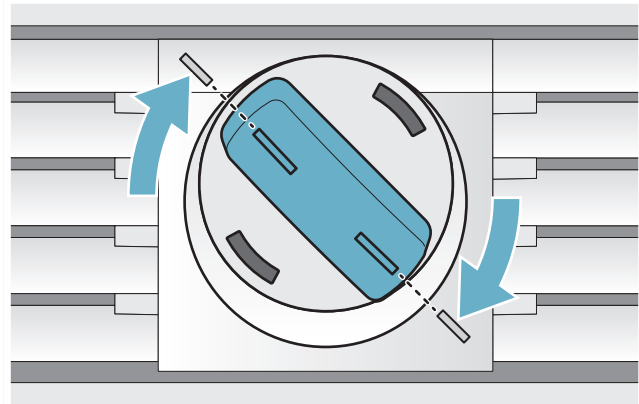
Nota: Después de montar un filtro de agua o un cartucho de filtro con bypass, desechar todos los cubitos de hielo producidos en las primeras 24 horas.

1. Girar la tapa del filtro de agua en el sentido contrario a las manecillas del reloj.
2. Sacar el filtro de agua.
3. Retirar la tapa del nuevo filtro de agua o del nuevo cartucho de filtro con bypass.
4. Retirar la cubierta del filtro de agua usado, y colocarla sobre el nuevo filtro de agua o el nuevo cartucho de filtro con bypass.
5. Empujar el nuevo filtro de agua o el nuevo cartucho de filtro con bypass en la apertura del filtro hasta el tope.

Nota: La tapa tiene que estar horizontal.

6. Girar el filtro de agua o el cartucho de filtro con bypass en el sentido de las manecillas del reloj hasta la marca.

Nota: Si el filtro de agua o el cartucho de filtro con bypass no se ha girado lo suficiente, se pueden producir daños por el agua saliente.



7. Si se monta un filtro de agua: restablecer el contador de filtro de agua.

Si se monta un cartucho de filtro con bypass: apagar el contador de filtro de agua.

8. Desechar los cubitos de hielo que se produzcan en las primeras 24 horas.
9. Drenar el agua del filtro de agua usado.

Nota: Puede desechar el filtro de agua usado con la basura del hogar.

Manejo del electrodoméstico

Encender el aparato

1. Pulse el interruptor principal de encendido/apagado.

El aparato comienza a enfriar, y la iluminación se enciende cuando la puerta está abierta.

2. Ajustar la temperatura deseada.

→ "Ajustar la temperatura" en la página 78

Advertencias relativas al funcionamiento del aparato

- Después de encenderlo, el aparato puede necesitar varias horas hasta alcanzar las temperaturas ajustadas. No introducir alimentos en el aparato antes de alcanzar las temperaturas seleccionadas.
- Debido al sistema completamente automático NoFrost, el congelador permanece libre de hielo. La descongelación no es necesaria.
- Los lados frontales del compartimento se calientan en parte ligeramente. Esto evita la condensación en la zona de la junta de la puerta.
- En caso de no poder abrir la puerta del congelador inmediatamente después de cerrarla, aguarde unos instantes hasta que el vacío generado se haya igualado.

Apagar y cerrar el aparato

Apagar el aparato

• Pulse el interruptor principal de encendido/apagado.

El aparato deja de enfriar.

Desconectar el aparato

ATENCION

Reducción la calidad del agua

El suministro de agua debe estar apagado 3 horas antes de desconectar el aparato. Así se evita la formación de moho por el agua estancada.

Cuando no utilice el aparato por un período prolongado:

1. Interrumpir el suministro de agua al aparato y esperar durante 3 horas.
2. Sacar los alimentos.
3. Pulse el **interruptor principal de encendido/apagado**.
4. Desconectar el enchufe o apagar el fusible.
El aparato deja de enfriar.
5. Vaciar el depósito de los cubitos de hielo y limpiar el aparato.
→ "Limpiar" en la página 90
6. Dejar el aparato abierto.

Ajustar la temperatura

Temperatura recomendada

Congelador: 0 °F (-18 °C)

Congelador

- Pulsar la tecla **-/+** repetidas veces hasta que la indicación muestre la temperatura deseada.

Congelación rápida

Mediante la función de congelación rápida, el congelador se enfría hasta alcanzar la temperatura más baja posible.

Activar la función de congelación rápida, p. ej.:

- para congelar los alimentos rápidamente hasta el núcleo
- 4 ... 6 horas antes de introducir alimentos frescos a partir de una cantidad superior a 2 kg
- para aprovechar la capacidad máxima de congelación

Nota: Si la función de congelación rápida está activada, puede haber aumento de ruido.

Después de aproximadamente 2 ½ días, el equipo pasa a la operación normal.

Activar o desactivar la función de congelación rápida:

- Pulsar la tecla ****/***.

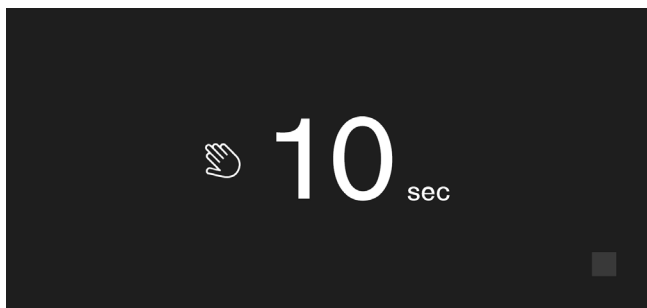
Display-Bloqueo para limpieza

Con esta función apaga la función táctil de los controles durante 10 segundos. Durante este tiempo, puede limpiar la pantalla.

→ "Limpiar la pantalla" en la página 90

1. Pulsar la tecla **S** para abrir el menú principal.
2. Pulsar la tecla **▶**.

El mensaje de limpieza aparece y empieza la cuenta atrás.



Encender o apagar la producción de cubitos de hielo

⚠ ATENCION

¡Daños en el aparato!

Nunca almacene botellas o alimentos en los recipientes de los cubitos de hielo, ni siquiera por un corto periodo de tiempo. De este modo, se puede bloquear la máquina de hielo y dañarse.

La producción de hielo se inicia tan pronto como el aparato alcance la temperatura establecida.

Nota: La producción de hielo se detiene automáticamente cuando el recipiente está lleno de hielo.

Encender o apagar la máquina de hielo

1. Pulsar la tecla **S** para abrir el menú principal.
2. Con la tecla **▶** desplazarse a la opción de menú **Producción de cubitos de hielo**.
3. Pulsar la tecla **▶/■**.

Modo Eco

Con el Modo Eco se conmuta el aparato al funcionamiento de ahorro de energía.

El aparato ajusta automáticamente las siguientes temperaturas:

- Congelador: +3 °F (-16 °C)

Modo Eco encender o apagar

1. Pulsar la tecla **S** para abrir el menú principal.
2. Con la tecla **▶** desplazarse a la opción de menú **Modo Eco**.
3. Pulsar la tecla **▶/■**.

La temperatura se cambia, el display muestra la nueva temperatura. Al apagar el modo Eco se ajustará la temperatura recomendada.

Nota: Usted puede activar o desactivar el Modo Eco, ajustando la temperatura con las teclas **-/+**.

Restablecer el contador del filtro de agua

Después de cambiar el filtro de agua debe restablecer el contador de filtro de agua.

1. Pulsar la tecla **S** para abrir el menú principal.
2. Con la tecla **▶** desplazarse a la opción de menú **Restablecer contador de filtro de agua**.
3. Confirmar con la tecla **✓**, volver a confirmar la consulta con la tecla **✓**.

Nota: Si se cancela la solicitud o pasan más de 10 segundos antes de pulsar la tecla, el contador de filtro de agua no se restablece.

Autocomprobación

Con esta función inicia el análisis de errores de su dispositivo.

→ "Autoprueba del aparato" en la página 96

Ajustar el brillo del panel de control

1. Pulsar la tecla **S** para abrir el menú principal.
2. Con la tecla **◀** desplazarse a la opción de menú **Ajustes básicos**.
3. Pulsar la tecla **✓**.
4. Para abrir la opción del menú **Brillo**, pulsar la tecla **↵**.
5. Con las teclas **◀ ▶** ajustar el brillo deseado.
6. Pulsar la tecla **✓**.
El ajuste se guarda.
7. Pulsar la tecla **X** para salir del menú.

Ajustar display

Es posible elegir entre los ajustes **Reducido** y **Estándar**. En el ajuste **Reducido**, tras un breve tiempo sin haber pulsado ninguna tecla, en el panel de mando se muestra la temperatura y las funciones especiales activas. Al tocar los campos táctiles, todas las teclas se vuelven visibles.

En el ajuste **Estándar**, todas las teclas permanecen siempre visibles.

1. Pulsar la tecla **S** para abrir el menú principal.
2. Con la tecla **<** desplazarse a la opción de menú **Ajustes básicos**.
3. Pulsar la tecla **✓**.
4. Con la tecla **>** desplazarse a la opción de menú **Display**.
5. Pulsar la tecla **_**.
6. Con las teclas **<>** desplazarse al ajuste deseado.
7. Pulsar la tecla **✓**.
El ajuste se guarda.
8. Pulsar la tecla **X** para salir del menú.

Ajustar el color del panel táctil

1. Pulsar la tecla **S** para abrir el menú principal.
2. Con la tecla **<** desplazarse a la opción de menú **Ajustes básicos**.
3. Pulsar la tecla **✓**.
4. Con la tecla **>** desplazarse a la opción de menú **Color del panel táctil**.
5. Pulsar la tecla **_**.
6. Con las teclas **<>** desplazarse al ajuste deseado.
7. Pulsar la tecla **✓**.
El ajuste se guarda.
8. Pulsar la tecla **X** para salir del menú.

Ajustar el tono del panel táctil

Usted puede cambiar o desactivar el sonido de las teclas que se produce al pulsar las teclas.

1. Pulsar la tecla **S** para abrir el menú principal.
2. Con la tecla **<** desplazarse a la opción de menú **Ajustes básicos**.
3. Para abrir la opción de menú, pulsar la tecla **✓**.

4. Con la tecla **>** desplazarse a la opción de menú **Tono del panel táctil**.
5. Para abrir la opción de menú, pulsar la tecla **_**.
6. Con las teclas **<>** seleccionar el ajuste deseado.
7. Pulsar la tecla **✓**.
El ajuste se guarda.
8. Pulsar la tecla **X** para salir del menú.

Ajustar el volumen del tono del panel táctil

Usted puede ajustar el volumen de los tonos que se producen al pulsar las teclas.

1. Pulsar la tecla **S** para abrir el menú principal.
2. Con la tecla **<** desplazarse a la opción de menú **Ajustes básicos**.
3. Para abrir la opción de menú, pulsar la tecla **✓**.
4. Con la tecla **>** desplazarse a la opción de menú **Volumen del tono del panel táctil**.
5. Para abrir la opción de menú, pulsar la tecla **_**.
6. Con las teclas **<>** seleccionar el ajuste deseado.
7. Pulsar la tecla **✓**.
El ajuste se guarda.
8. Pulsar la tecla **X** para salir del menú.

Ajustar el volumen de la señal acústica

Usted puede ajustar el volumen de la señal acústica que se producen, por ejemplo, por las alarmas.

1. Pulsar la tecla **S** para abrir el menú principal.
2. Con la tecla **<** desplazarse a la opción de menú **Ajustes básicos**.
3. Para abrir la opción de menú, pulsar la tecla **✓**.
4. Con la tecla **>** desplazarse a la opción de menú **Volumen de la señal acústica**.
5. Para abrir la opción de menú, pulsar la tecla **_**.
6. Con las teclas **<>** seleccionar el ajuste deseado.
7. Pulsar la tecla **✓**.
El ajuste se guarda.
8. Pulsar la tecla **X** para salir del menú.

Encender y apagar el contador del filtro de agua

Cuando haya reemplazado el filtro de agua por un filtro antipartículas, apague el contador de filtro de agua. En este caso no se requiere, ya que el filtro antipartículas no necesita ser reemplazado.

1. Pulsar la tecla **S** para abrir el menú principal.
2. Con la tecla **<** desplazarse a la opción de menú **Ajustes básicos**.
3. Pulsar la tecla **✓**.
4. Con la tecla **>** desplazarse a la opción de menú **Contador filtro de agua**.
5. Para cambiar los Ajustes, pulsar la tecla **_**.
6. Confirmar la selección con la tecla **✓**.

Oscurecer al abrir y cerrar la puerta

Con la función Oscurecer al abrir y cerrar la puerta activada, la iluminación se va aclarando lentamente al abrir el aparato y se oscurece lentamente al cerrar el aparato.

Activar o desactivar la función Oscurecer al abrir y cerrar la puerta

1. Pulsar la tecla **S** para abrir el menú principal.
2. Con la tecla **<** desplazarse a la opción de menú **Ajustes básicos**.
3. Pulsar la tecla **✓**.
4. Con la tecla **>** desplazarse a la opción de menú **Oscurecer al abrir y cerrar la puerta**.
5. Pulsar la tecla **_**.
6. Con la tecla **>** desplazarse a la opción de menú **Encendido o Apagado**. Confirmar con la tecla **✓**.

Luz del dispensador de hielo y agua

Con esta función puede ajustar el tiempo que permanece encendida la luz del dispensador de hielo y agua.

Ajustar la luz del dispensador de hielo y agua

1. Pulsar la tecla **S** para abrir el menú principal.
2. Con la tecla **<** desplazarse a la opción de menú **Ajustes básicos**.
3. Para abrir la opción de menú pulsar la tecla **✓**.

4. Con la tecla **>** desplazarse a la opción de menú **Luz del dispensador de hielo y agua**.
5. Para abrir la opción de menú pulsar la tecla **_**.
6. Con la tecla **>** seleccionar la duración deseada.
7. Pulsar la tecla **✓**.
El ajuste se guarda.
8. Pulsar la tecla **X** para salir del menú.

Sensor de proximidad del dispensador de hielo y agua

Estando el sensor de proximidad conectado, la iluminación del dispensador de hielo y agua se enciende automáticamente en cuanto se coloca un vaso debajo.

Conectar o desconectar el sensor de proximidad

1. Pulsar la tecla **S** para abrir el menú principal.
2. Con la tecla **<** desplazarse a la opción de menú **Ajustes básicos**.
3. Para abrir la opción de menú pulsar la tecla **✓**.
4. Con la tecla **>** desplazarse a la opción de menú **Sensor de movimiento**.
5. Para abrir la opción de menú pulsar la tecla **_**.
6. Con las teclas **< >** desplazarse al ajuste deseado.
7. Pulsar la tecla **✓**.
El ajuste se guarda.
8. Pulsar la tecla **X** para salir del menú.

Ajustar de la unidad de temperatura

Puede elegir entre la unidad °C y °F.

1. Pulsar la tecla **S** para abrir el menú principal.
2. Con la tecla **<** desplazarse a la opción de menú **Ajustes básicos**.
3. Pulsar la tecla **✓**.
4. Con la tecla **<** desplazarse a la opción de menú **Unidad de temperatura**.
5. Pulsar la tecla **_**.
6. Con las teclas **< >** desplazarse a la unidad deseada.
7. Pulsar la tecla **✓**.
La unidad se cambiará.
8. Pulsar la tecla **X** para salir del menú.

Seleccionar el idioma

1. Pulsar la tecla **S** para abrir el menú principal.
2. Con la tecla **<** desplazarse a la opción de menú **Ajustes básicos**.
3. Pulsar la tecla **✓**.
4. Con la tecla **<** desplazarse a la opción de menú **Idioma**.
5. Pulsar la tecla **_.**
6. Con las teclas **< >** desplazarse al idioma deseado.
7. Pulsar la tecla **✓**.

El display se reinicia, aparece la pantalla de inicio.

Restablecer el ajuste de fábrica

1. Pulsar la tecla **S** para abrir el menú principal.
2. Con la tecla **<** desplazarse a la opción de menú **Ajustes básicos**.
3. Pulsar la tecla **✓**.
4. Con la tecla **<** desplazarse a la opción de menú **Ajustes de fábrica**.
5. Pulsar la tecla **_.**
Suenan una señal y aparece un mensaje para confirmar el reinicio.
6. Pulsar la tecla **✓**.
Todos los ajustes se restablecen a los ajustes de fábrica.
7. Pulsar la tecla **X** para salir del menú.

Encender o apagar el Modo Demo

La función de refrigeración del aparato se apaga. Todas las demás funciones se pueden utilizar.

Nota: En el Modo Demo no almacenar alimentos, el aparato permanecerá a temperatura ambiente.

1. Pulsar la tecla **S** para abrir el menú principal.
2. Con la tecla **<** desplazarse a la opción de menú **Ajustes básicos**.
3. Pulsar la tecla **✓**.
4. Con la tecla **<** desplazarse a la opción de menú **Modo-Demo**.
5. Pulsar la tecla **_.**
6. Con las teclas **< >** seleccione el ajuste **Encendido o Apagado**.
7. Pulsar la tecla **✓**.
El ajuste se guarda.
8. Pulsar la tecla **X** para salir del menú.

Modo-Reposo

El aparato detiene lo siguiente:

- Apertura automática de la puerta
Nota: Tenga en cuenta que en una situación de instalación sin asas, usted no tendrá ayuda al abrir la puerta durante este tiempo. En ese caso, tire desde abajo por debajo de la placa del mueble para abrir la puerta.
- Máquina de hielo
- Señales acústicas
- Iluminación interior
- Mensajes que aparecen en pantalla
- Se reduce la luz de fondo de la pantalla

Activar o desactivar el Modo-Reposo

Mostrar u ocultar el Modo-Reposo en el menú principal

Para que pueda utilizar el Modo-Reposo, primero necesita visualizar la función en el menú principal:

1. Pulsar la tecla **S** para abrir el menú principal.
2. Con la tecla **<** desplazarse a la opción de menú **Ajustes básicos**.
3. Pulsar la tecla **✓**.
4. Con la tecla **<** desplazarse a la opción de menú **Modo-Reposo**. Pulsar la tecla **_.**
5. Con las teclas **>** desplazarse a la opción de menú **Disponible** o **No disponible**. Confirmar con la tecla **✓**.
6. Pulsar la tecla **X** para salir del menú.

La función se muestra u oculta en el menú principal.

Activar el Modo-Reposo

1. Pulsar la tecla **S** para abrir el menú principal.
2. Pulsar la tecla **⌚** para abrir la vista **Duración del Modo-Reposo**.
3. Cambiar la duración con las teclas **-/+**.
4. Para iniciar pulsar la tecla **▶**.

El aparato apaga todas las funciones mencionadas.

Desconectar el Modo-Reposo

- Después de concluido el tiempo programado, el aparato vuelve al modo de funcionamiento normal.
- Para terminar el Modo-Reposo antes de que concluya el tiempo programado, pulsar la tecla **■**.

Apertura automática de puerta

La apertura automática de la puerta le ayuda a abrir la puerta.

En cuanto activa la función, la apertura automática de la puerta se despliega y le ayuda a abrir la puerta.

ATENCION

El cierre prematuro repetido de la puerta conduce al desgaste o falla de la apertura automática de la puerta.

No cierre la puerta, mientras la apertura automática de la puerta todavía está desplegada.

Si a pesar de todo ha cerrado la puerta, deje la puerta cerrada durante 5 minutos. La apertura automática de la puerta se alinea de nuevo.

Abrir la opción de menú **Apertura automática de la puerta**:

1. Pulsar la tecla **S** para abrir el menú principal.
2. Con la tecla **◀** desplazarse a la opción de menú **Ajustes básicos**.
3. Para abrir el menú pulsar la tecla **✓**.
4. Con la tecla **◀** desplazarse a la opción de menú **Apertura automática de la puerta**.
5. Para cambiar los Ajustes, pulsar la tecla **_**.

Encender el sistema empujar-para-abrir

En una situación de instalación sin asas, se puede elegir el sistema empujar-para-abrir. Con ello, el aparato se abre un poco al presionar ligeramente la puerta.

Nota: Tenga en cuenta que la apertura automática de la puerta se desactiva al encenderse el Modo-Reposo.

1. Abrir la opción de menú **Apertura automática de la puerta**.
2. Seleccionar la opción de menú **Sistema empujar-para-abrir**.
3. Para abrir la opción de menú, pulsar la tecla **✓**.
4. Seleccionar **Potenciar energía**. Aquí se puede ajustar el esfuerzo necesario para accionar la apertura automática de la puerta.
5. Seleccionar **Duración de apertura**. Aquí se puede establecer cuánto tiempo permanecerá la puerta un poco abierta antes de cerrarse automáticamente.

Nota: Si la puerta permanece entreabierta, el aparato comprueba una vez por segundo si la puerta está todavía abierta. Después de transcurrida la duración de apertura ajustada, el aparato cierra la puerta automáticamente.

Encender el sistema jalar-para-abrir

En una situación de instalación con asas, se puede elegir el sistema jalar-para-abrir. Con ello, su aparato le ayuda a abrir la puerta en cuando tira del asa.

1. Abrir la opción de menú **Apertura automática de la puerta**.
2. Seleccionar la opción de menú **Sistema jalar-para-abrir**.
3. Para abrir la opción de menú, pulsar la tecla **✓**.
4. Seleccionar **Potenciar energía**. Aquí se puede ajustar el esfuerzo necesario para accionar la apertura automática de la puerta.

Desactivar la apertura automática de la puerta

1. Abrir la opción de menú **Apertura automática de la puerta**.
2. Seleccionar la opción de menú **Apagado**.

Red doméstica

Con esta función usted puede establecer una conexión entre el aparato para refrigeración y su dispositivo móvil. → *"Home Connect" en la página 84*

Display-Bloqueo automático para limpieza

Con esta función puede seleccionar, si se enciende el bloqueo de limpieza automáticamente cuando se abre la puerta.

1. Pulsar la tecla **S** para abrir el menú principal.
2. Con la tecla **◀** desplazarse a la opción de menú **Ajustes básicos**.
3. Pulsar la tecla **✓**.
4. Con la tecla **◀** desplazarse a la opción de menú **Display-Bloqueo automático para limpieza**.
5. Para cambiar los Ajustes, pulsar la tecla **_**.

Alarma

Alarma de la puerta

Si la puerta del aparato permanece abierta durante un tiempo prolongado, se activa la alarma de la puerta (sonido constante).

- Cerrar la puerta.
La señal acústica se desactiva.

Home Connect

Este aparato funciona con Wi-Fi y puede controlarse de forma remota a través de un dispositivo móvil.

Nota: Wi-Fi es una marca registrada de Wi-Fi Alliance.

El aparato funciona, en los siguientes casos, como un aparato para refrigeración sin conexión a la red doméstica y se puede seguir manejando manualmente a través de los mandos:

- El aparato no está conectado a una red doméstica.
- El servicio Home Connect no se ofrece en el país en el que está instalado el aparato. Encontrará una lista de los países en los que se ofrece Home Connect en www.home-connect.com.

Nota: Tenga en cuenta las indicaciones de seguridad de este manual. Asegúrese de respetarlas también cuando utiliza el aparato mediante la aplicación Home Connect desde fuera de casa.

→ "Indicaciones de seguridad importantes" en la página 67

Tenga en cuenta también las instrucciones de la aplicación Home Connect.

Configurar Home Connect

Notas

- Después de conectar el aparato, espere al menos 2 minutos antes de configurar Home Connect. Solo entonces concluye la inicialización interna del aparato.
- Tenga en cuenta la hoja adjunta de Home Connect que acompaña al aparato o que está disponible para su descarga en www.gaggenau.com en la sección de las instrucciones. Para ello, introduzca el número de producto (E-Nr.) de su aparato en el cuadro de búsqueda.

Para conectar su aparato a la red doméstica WLAN (Wi-Fi) son necesarios 3 pasos básicos.

1. Instalar la aplicación.
2. Conectar el refrigerador a la red doméstica WLAN (Wi-Fi).
3. Conectar el refrigerador con la aplicación Home Connect.

Menú Red doméstica

Para abrir el menú **Red doméstica**:

1. Pulsar la tecla **S** para abrir el menú principal.
2. Con la tecla **◀** desplazarse a la opción de menú **Ajustes básicos**.

3. Para abrir la opción de menú pulsar la tecla **✓**.
4. Con la tecla **◀** desplazarse a la opción de menú **Red doméstica**.
5. Para abrir la opción de menú pulsar la tecla **↵**.
Nota: Al abrir el menú por primera vez, usted será guiado automáticamente a través de la configuración inicial. Siga las instrucciones del panel de mando. En los siguientes capítulos encontrará mayor información.
6. Con las teclas **◀ ▶** seleccionar el submenú deseado.
7. Pulsar la tecla **X** para salir del menú.

En el menú **Red doméstica** encuentra los siguientes submenús:

- Conexión
- Conectar con la aplicación
- Actualización de software
- Borrar los ajustes de red

Configuración de la conexión con la red doméstica

Al abrir el menú por primera vez, usted será guiado automáticamente a través de la configuración inicial. Siga las instrucciones del panel de mando.

1. Instalar la aplicación **Home Connect** en su dispositivo móvil.
2. En el aparato para refrigeración abrir el menú **Red doméstica**.
3. Abrir la aplicación en el dispositivo móvil.
4. Iniciar sesión en la aplicación o registrarse si todavía no se ha creado un acceso.
5. Comprobar en el router de la red doméstica si existe una función WPS para la conexión automática.
6. Si dicha función está disponible, iniciar la conexión automática a la red con la tecla **✓** y seguir las instrucciones del panel de mando.
Siga las instrucciones del panel de mando.
7. Iniciar la conexión manual a la red cuando la función mencionada no esté disponible o no esté seguro de ello, o cuando haya fallado la conexión automática a la red.

El aparato para refrigeración genera temporalmente una red propia a la que se conecta el dispositivo móvil.

8. Iniciar la conexión manual a la red en la aplicación del dispositivo móvil.

Tan pronto como el aparato para refrigeración esté conectado al dispositivo móvil, se establecerá una conexión entre el aparato para refrigeración y la red doméstica (Wi-Fi).

Nota: Si no es posible establecer la conexión, compruebe si hay suficiente recepción.

→ "Comprobar la intensidad de la señal" en la página 85

Comprobar la intensidad de la señal

La intensidad de la señal se muestra en la ventana inicial del menú **Red doméstica**. El valor de intensidad de la señal debería ser del 50 % como mínimo. Si la intensidad de la señal es demasiado baja, se puede interrumpir la conexión.

Mejorar la intensidad de señal

- Coloque el router más cerca del aparato para refrigeración.
- Asegúrese de que la conexión no está interrumpida por paredes de apantallamiento.
- Instale un repetidor para intensificar la señal.

Conectar el aparato para refrigeración con la aplicación Home Connect

Con este menú, usted puede conectar su aparato para refrigeración con otros dispositivos móviles.

1. Instalar la aplicación **Home Connect** en el dispositivo móvil y registrarse o iniciar sesión.
2. En el aparato para refrigeración abrir el menú **Red doméstica**.
→ "Configurar Home Connect" en la página 84
3. Con la tecla **➤** desplazarse a la opción de menú **Conectar con la aplicación**.
4. Para abrir la opción de menú, pulsar la tecla **_**.
5. Confirme el mensaje para mostrar el aparato para refrigeración en la aplicación.
6. Abrir la aplicación y esperar hasta que se muestre el aparato para refrigeración.
Con **Añadir** confirmar la conexión entre la aplicación y el aparato para refrigeración.
Si el aparato para refrigeración no se muestra automáticamente, hacer clic en la aplicación en **Añadir aparato** y seguir las instrucciones. En cuanto se muestre el aparato para refrigeración, añadirlo con **+**.
7. Seguir las instrucciones de la aplicación hasta que el proceso haya finalizado.

Instalar la actualización de software de Home Connect

El aparato para refrigeración comprueba a intervalos regulares si existen actualizaciones para el software de Home Connect.

Cuando hay una actualización disponible, junto a la tecla **S** aparece un pequeño signo de exclamación **S[!]**.

Instalar actualización:


1. Pulsar la tecla **S[!]**.
Se abre el menú especial **Nota Red doméstica**.
2. Para abrir la opción de menú, pulsar la tecla **✓**.
Se abre una ventana de notificación con los pasos necesarios para la instalación del nuevo software.
3. Pulsar la tecla **✓** para cerrar la ventana de notificación.
4. En el aparato para refrigeración abrir el menú **Red doméstica**.
→ "Configurar Home Connect" en la página 84
5. Con la tecla **➤** desplazarse a la opción de menú **Actualización de software**.
6. Para abrir la opción de menú, pulsar la tecla **_**.
Nota: La tecla **_** solo es visible cuando hay una actualización disponible.
Se instalará el nuevo software.
7. En cuanto finalice la instalación aparece una nota.
8. Pulsar la tecla **✓** para cerrar la nota.

Acceso del servicio al cliente

Cuando se ponga en contacto con el servicio al cliente, este podrá acceder a su aparato y registrar su estado con su previo consentimiento. Para ello, el aparato debe estar conectado a la red doméstica.

Puede encontrar más información sobre el acceso de servicio al cliente y la disponibilidad del mismo en su país en www.home-connect.com, en la sección Ayuda y asistencia.

1. Contactar al servicio al cliente.
→ *"Servicio al cliente" en la página 96*
2. Confirmar en la aplicación el inicio del acceso de servicio al cliente.



Durante el acceso de servicio al cliente aparece el símbolo  en el panel de mando.

3. En cuanto el servicio al cliente haya reunido la información necesaria, se desconectará de su aparato.

Nota: Usted puede interrumpir el diagnóstico remoto antes de tiempo desconectando el acceso de servicio al cliente en la aplicación Home Connect.

Borrar los ajustes de red

Si se presentan problemas al intentar establecer la conexión o si se desea registrar el aparato en otra red doméstica (WLAN), se pueden restablecer los ajustes de Home Connect.

1. En el aparato para refrigeración abrir el menú **Red doméstica**.
→ *"Configurar Home Connect" en la página 84*
2. Con la tecla  desplazarse a la opción de menú **Borrar los ajustes de red**.
3. Para abrir la opción de menú, pulsar la tecla .
4. Confirme el mensaje para borrar los ajustes de red.

Para volver a conectar el aparato con la red doméstica, ejecute de nuevo la configuración inicial.

→ *Página 84*

Indicaciones sobre protección de datos

Al conectar por primera vez su aparato Home Connect a una red doméstica asociada a internet WLAN (Wi-Fi), el aparato transmite las siguientes categorías de datos al servidor Home Connect (registro inicial):

- Identificación unívoca del aparato (compuesta por la clave del aparato y la dirección MAC del módulo de comunicación Wi-Fi utilizado).
- Certificado de seguridad del módulo de comunicación Wi-Fi (para la protección técnica de la información de la conexión).
- Las versiones actuales del software y hardware del electrodoméstico.
- El estado de un posible restablecimiento previo a los ajustes de fábrica.

El registro inicial prepara la utilización de las funciones Home Connect y solo es necesario la primera vez que se vayan a utilizar las funciones Home Connect.

Nota: Tenga en cuenta que las funciones Home Connect solo se pueden utilizar en conexión con la aplicación Home Connect. Se puede consultar la información relativa a la protección de datos en la aplicación Home Connect.

Congelador

El congelador es adecuado para:

- El almacenamiento de alimentos congelados
- La producción de cubitos de hielo
- Congelar alimentos

La temperatura se puede ajustar desde $-11\text{ }^{\circ}\text{F}$ ($-24\text{ }^{\circ}\text{C}$)...hasta $+7\text{ }^{\circ}\text{F}$ ($-14\text{ }^{\circ}\text{C}$).

Mediante el almacenamiento en congelación, puede conservar los alimentos perecederos durante largo tiempo sin que sufran prácticamente pérdidas en su calidad, debido a que las bajas temperaturas ralentizan fuertemente o incluso detienen los procesos de deterioro. La apariencia, el aroma y todos los ingredientes valiosos se conservan, en su mayor parte.

El intervalo de tiempo entre el almacenamiento de los alimentos frescos y la congelación total depende de los siguientes factores:

- temperatura ajustada
- tipo de alimento
- Cantidad de alimentos guardados en el congelador
- Cantidad y tipo del almacenamiento

Aprovechar toda la capacidad de congelación del aparato

Para introducir la mayor cantidad de productos congelados:

- Retirar todas las piezas de equipamiento.
- Colocar los alimentos directamente sobre la bandeja y el piso del congelador.

Al comprar alimentos congelados

- Asegúrese de que el envase no está dañado.
- Tenga en cuenta la fecha de caducidad.
- La temperatura en el mostrador de ventas debe ser $0\text{ }^{\circ}\text{F}$ ($-18\text{ }^{\circ}\text{C}$) o más fría.
- No debe interrumpirse la cadena de frío: transporte los alimentos congelados en una bolsa térmica y póngalos rápidamente en el congelador.

Al ordenar prestar atención

- Congelar las cantidades más grandes de alimentos en el estante superior.

Allí se congelan particularmente rápido y en forma óptima.

- Colocar los alimentos distribuyéndolos ampliamente en los compartimentos o recipientes del congelador.
- Los alimentos congelados no deben entrar en contacto con los alimentos frescos que se desean congelar.

En caso necesario, vuelva a apilar los alimentos congelados en los recipientes del congelador.

- Para asegurar una buena circulación de aire en el aparato, es importante: Introducir los recipientes del congelador hasta el tope.

Congelar los alimentos frescos

Para congelar utilice únicamente alimentos frescos y en buen estado.

Los alimentos que se consumen cocidos, fritos u horneados son más adecuados para la congelación que los alimentos que se consumen crudos.

Antes de congelar, se deben llevar a cabo los procesos de preparación según el tipo de alimento para preservar el valor nutritivo, el aroma y el color de la mejor forma posible:

- Verdura: lavarla, picarla, escaldarla.
- Fruta: lavarla, quitarle las semillas y eventualmente pelarla. Dado el caso, añadirle azúcar o una solución de ácido ascórbico.

Encontrará las indicaciones en la bibliografía especializada.

Alimentos adecuado para congelar

- Productos de panadería
- Pescado y mariscos
- Carne
- Carnes de caza y aves de corral
- Verduras, frutas y hierbas
- Huevos sin cáscara
- Productos lácteos tales como queso, mantequilla y requesón
- Platos cocinados y sobras de comida, como por ejemplo sopas, estofados, carnes o pescados cocinados, platos de patatas, guisos y postres

Alimentos no adecuados para congelar

- Verduras que se consumen normalmente crudas, como por ejemplo lechugas o rabanitos
- Huevos con su cáscara o huevos duros
- Uvas
- Manzanas enteras, peras y melocotones
- Yogur, leche agria, crema agria, crema fresca y mayonesa

Envasado de los productos congelados

El tipo correcto de los envases y materiales son determinantes en gran medida para conservar la calidad del producto y evitar el desarrollo de las quemaduras por congelación.

1. Introducir los alimentos en el envase.
2. Eliminar el aire.
3. Sellar el envase herméticamente, para que los alimentos no pierdan su sabor o se deshidraten.
4. Etiquetar los envases con el contenido y la fecha de congelación.

Materiales indicados para el envasado:

- Película plástica
- Rollos de película de polietileno (PE)
- Papel de aluminio
- Recipientes para congelar

Cierres adecuados:

- Anillos de goma
- Clips de plástico
- Cinta adhesiva no congelable

Materiales no apropiados para el envasado:

- Papel de estraza
- Papel de pergamino
- Celofán
- Bolsas de basura y bolsas de compra ya usadas

Tiempo de conservación de los productos congelados a 0 °F (-18 °C)

Pescado, embutidos, comidas preparadas, productos de panadería:	hasta 6 meses
Aves de corral, carne:	hasta 8 meses
Fruta, verdura:	hasta 12 meses

Descongelar los productos congelados

El método de descongelación se deberá adaptar al tipo de alimento y al objetivo de utilización, para mantener la calidad del producto lo mejor posible.

Métodos de descongelación:

- En el refrigerador (especialmente adecuado para alimentos de origen animal como pescado, carne, queso y requesón)
- A temperatura ambiente (pan)
- Microondas (alimentos para ser preparados y consumidos de forma inmediata)
- Horno/estufa (alimentos para ser preparados y consumidos de forma inmediata)



ATENCIÓN

No volver a congelar los alimentos que se hayan descongelado o empezado a descongelar. Solo los podrá volver a congelar después de haberlos preparado (cocido o frito).

Ya no se debe utilizar el tiempo máximo de almacenamiento de los productos congelados.

Dispensador de hielo y agua

Del dispensador de hielo y agua puede obtenerse:

- agua fría
- hielo triturado
- cubitos de hielo

Antes del primer uso

⚠ ADVERTENCIA

¡Peligro de lesiones!

No introduzca nunca las manos en la abertura dispensadora del depósito para cubitos de hielo.

⚠ ATENCION

No colocar botellas ni alimentos en el depósito para cubitos de hielo. De este modo, se puede bloquear la máquina de hielo y dañarse.

Notas

- El dispensador de hielo y agua solo funciona, si el aparato está conectado a una línea de agua de red.
- Por motivos de higiene, deseche los primeros 5 vasos de agua y los primeros 30-40 cubitos de hielo

Tras conectar el aparato, es posible que haya aire en el circuito de agua. Deje correr el agua hasta que no quede ninguna burbuja de aire.

Se necesitan aprox. 24 horas hasta que los primeros cubitos de hielo están listos.

Téngase en cuenta la calidad del agua de red

Todos los materiales empleados en la fabricación del dispensador de hielo y agua son inodoros y neutrales al gusto.

Si el agua presenta un sabor de fondo, esto puede deberse a las siguientes causas:

- contenido de minerales y cloro del agua de red
- material de la línea de agua
- calidad del agua de red

Nota: Si no se dispensa agua durante un tiempo prolongado, esta puede saber a agua estancada. En tal caso, deseche los primeros 15 vasos de agua.

La mejor calidad del agua se obtiene dispensando un poco de agua con regularidad.

El filtro de agua suministrado solo filtra partículas del agua, pero no bacterias ni microbios.

Información sobre el funcionamiento de la máquina de hielo

La producción de hielo se inicia tan pronto como el congelador alcance la temperatura establecida. Los cubitos de hielo listos se depositan automáticamente en el depósito.

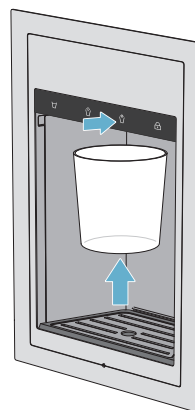
La producción de hielo se detiene en cuanto el depósito para cubitos está lleno.

Nota: Se puede acelerar la producción de hielo fijando una temperatura más baja para el congelador. Esto aumenta ligeramente el consumo de energía.

Dispensar hielo y agua

Notas

- Para evitar que el hielo caiga al suelo, mantenga el vaso directamente debajo del dispensador al tomar hielo triturado.
 - Para evitar los daños por agua, el dispensador de agua se detiene automáticamente después de 30 segundos de salir agua. Si desea obtener más agua, espere 5 segundos y pulse de nuevo la tecla.
 - La temperatura del agua dispensada es la adecuada para beber. Si desea una temperatura más baja del agua, añada cubitos de hielo al vaso.
 - En caso de dispensarse grandes cantidades de agua, esta puede salir más caliente.
1. Mantener el vaso bajo el dispensador de hielo y agua.
 2. Pulsar la tecla de dispensación hasta que se haya vertido la cantidad deseada de hielo o agua en el vaso.



Descongelación

Congelador

Debido al sistema completamente automático NoFrost, el congelador permanece libre de hielo. La descongelación ya no es necesaria.

Limpiar

ATENCION

Evitar daños al aparato y piezas del equipamiento.

- No utilizar detergentes y disolventes que contengan arena, cloro o ácidos.
 - No emplear esponjas abrasivas.
En las superficies metálicas podría producirse corrosión.
 - No limpiar nunca las bandejas y recipientes en el lavavajillas.
Las piezas pueden deformarse.
-

Proceder como se indica a continuación:

1. Pulse el **interruptor principal de encendido/apagado**.
2. Retirar los alimentos y guardarlos en un lugar frío.
Cuando estén disponibles: Coloque los acumuladores de frío sobre los alimentos.
3. Limpie el aparato con un paño suave, agua templada y un poco de jabón líquido de pH neutro.

ATENCION

El agua de lavado no debe entrar en la iluminación o por el agujero de drenaje a la zona de evaporación.

4. Limpie la junta de la puerta con agua limpia y séquela bien.
5. Vuelva a encender el aparato e introduzca los alimentos.

Indicación para la conservación de superficies de acero inoxidable

Para la conservación y limpieza de las superficies de acero inoxidable sólo utilice productos de limpieza apropiados para acero inoxidable y un paño de limpieza para acero inoxidable.

Puede adquirir un paño de limpieza apropiado para acero inoxidable a través del servicio posventa.

La conservación de la superficie de acero inoxidable debe realizarse en dirección de la estructura a fin de evitar arañazos visibles.

Limpiar la pantalla

Debido al cambio de temperaturas y de la humedad del aire podrían empañarse los controles.

Para la limpieza, active el bloqueo para limpieza.
→ *"Display-Bloqueo para limpieza" en la página 79*

Para la limpieza utilice un paño de microfibra limpio.

Limpiar los accesorios

Para la limpieza, extraer los elementos variables del aparato.

→ "Equipamiento" en la página 76

Depósito para cubitos de hielo

⚠ ATENCION

El depósito para cubitos de hielo lleno tiene un peso considerable:

Extraiga el recipiente tirando de él con las dos manos.

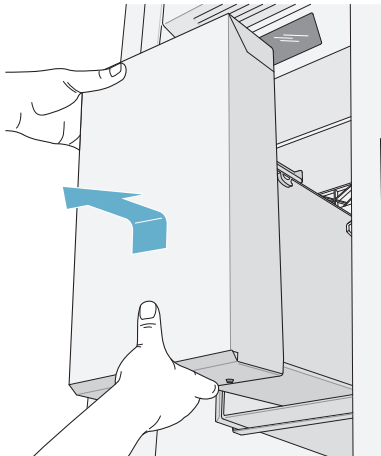
⚠ ATENCION

Peligro de quemaduras por frío:

Evite el contacto prolongado de la piel con los alimentos congelados, el hielo y las superficies metálicas del congelador.

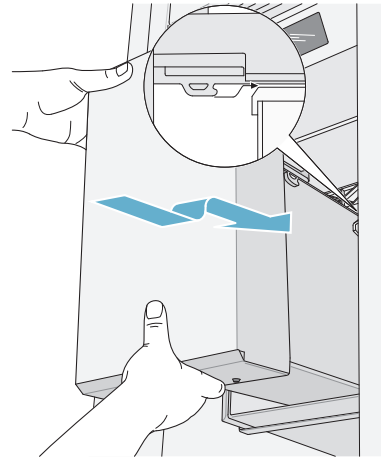
Para siempre tener cubitos de hielo nuevos y evitar que se peguen los cubitos de hielo ya producidos, retire y limpie el depósito para cubitos de hielo regularmente.

1. Levantar el depósito para cubitos de hielo.
2. Extraer el depósito para cubitos de hielo tirando de él lentamente.



3. Vaciar el depósito para cubitos de hielo y limpiar con agua tibia.
4. Secar completamente el interior del depósito para cubitos de hielo para evitar que se peguen los cubitos de hielo nuevos sobre el mismo.
5. Introducir el depósito para cubitos de hielo hasta que se traben.

Nota: Si no es posible trabar el depósito para cubitos de hielo gire el tornillo sinfín e inténtelo de nuevo.



Bandeja de goteo

Puede retirar la bandeja de goteo para limpiarla.

1. Retirar la rejilla de goteo.
2. Retirar la bandeja de goteo.
3. Vaciar la bandeja de goteo y limpiar con agua tibia.
4. Colocar de nuevo la bandeja de goteo y la rejilla de goteo.

Ruidos

Ruidos normales

Zumbido: Un motor está en marcha, por ejemplo, unidad de refrigeración, ventilador.

Burbujear, zumbar o borbotear: el refrigerante fluye a través de los tubos.

Cliquear: motor, interruptor o válvulas de solenoide, un interruptor de encendido o apagado.

Crujir: Se está realizando la descongelación automática.

Evitar ruidos

El aparato está desnivelado: Nivelar el aparato con ayuda de un nivel de burbuja. Calzar el aparato en caso necesario.

Los recipientes, bandejas o estantes vibran o están atascados: Verificar los elementos desmontables y, en caso necesario, colocarlos nuevamente.

Iluminación

Su aparato está equipado con una iluminación LED exenta de mantenimiento.

Sólo el Servicio al cliente o el personal autorizado puede reparar la iluminación.

¿Qué hacer en caso de avería?

Antes de llamar al Servicio al cliente, intente solucionar el problema, utilizando esta tabla.

Aparato

La temperatura difiere considerablemente del valor ajustado.

Apagar el aparato durante 5 minutos.
 → "Apagar y cerrar el aparato" en la página 78

Si la temperatura es demasiado alta, vuelva a comprobarla después de unas pocas horas.

Si la temperatura es demasiado baja, vuelva a comprobarla al día siguiente.

No se ilumina ninguna indicación.

El enchufe no está correctamente insertado.	Conectar el enchufe.
El fusible se fundió.	Compruebe los fusibles.
Se interrumpió el suministro eléctrico.	Verificar si hay corriente.

El refrigerador se enciende con más frecuencia y durante más tiempo.

El aparato se ha abierto con demasiada frecuencia.	No abrir la puerta del aparato innecesariamente.
Las rejillas de ventilación están cubiertas.	Eliminar la causa de la obstrucción.

El aparato no enfría, se iluminan la pantalla y la iluminación.

El Modo Demo está activado.	Desactive el Modo Demo. → "Encender o apagar el Modo Demo" en la página 82
-----------------------------	---

La puerta no se abre al presionarla.

Un modo especial ha desconectado la apertura automática de la puerta.	En ese caso, tire desde abajo por debajo de la placa del mueble para abrir la puerta o desconecte el modo especial. → "Activar o desactivar el Modo-Reposo" en la página 82
El sistema jalar-para-abrir está conectado.	Cambie el aparato al sistema empujar-para-abrir. → "Apertura automática de puerta" en la página 83
La potencia necesaria de desbloqueo está ajustada a una fuerza excesiva.	Seleccione un ajuste más bajo para la potencia necesaria de desbloqueo. → "Apertura automática de puerta" en la página 83
El fusible se fundió.	Compruebe los fusibles.
Se interrumpió el suministro eléctrico.	Verificar si hay corriente.

Dispensador de hielo y agua

Se produce y dispensa hielo, pero no agua.

Se trata de una avería.

Llamar al Servicio al cliente.

→ "Servicio al cliente" en la página 96

El dispensador de hielo y agua no funciona.

Los elementos de manejo del dispensador de hielo y agua están bloqueados (seguro para niños).

Desbloquear los elementos de manejo para el dispensador de hielo y agua.

Los cubitos de hielo pueden pegarse y bloquear el dispensador o la máquina de hielo.

1. Abra la puerta. Revise desde el interior si hay cubitos de hielo atascados en el dispensador de hielo y agua.
2. Si el dispensador de hielo y agua no está bloqueado, extraiga cuidadosamente el depósito para cubitos de hielo.

ATENCIÓN

¡El depósito para cubitos de hielo lleno tiene un peso considerable! Tómelo con ambas manos y proceda despacio.

3. Retire los cubitos de hielo congelados juntos.

Después del encendido o de haber retirado varios cubitos de hielo, hay muy pocos cubitos de hielo en el depósito para cubitos.

Un depósito para cubitos de hielo vacío tarda aproximadamente 24 horas en llenarse.

El depósito de agua se llena.

En el primer uso tarda aprox. 2 minutos hasta que el depósito de agua está lleno.

La presión del agua es demasiado baja.

Conecte el aparato solo a líneas con suficiente presión de agua.

El filtro de agua/filtro de partículas está bloqueado o es necesario cambiarlo.

Cambiar el filtro de agua/limpiar el filtro de partículas.

La máquina de hielo no funciona.

Se desactivó la producción de hielo.

Encender la producción de hielo.

El congelador está demasiado caliente.

Fije la temperatura más fría.
→ "Manejo del electrodoméstico" en la página 78

El depósito para cubitos de hielo no está colocado correctamente.

Coloque el depósito para cubitos de hielo correctamente.

La máquina de hielo no tiene corriente.

Llamar al Servicio al cliente.
→ "Servicio al cliente" en la página 96

No llega nada de agua.

Compruebe la conexión de agua y, si es necesario, póngase en contacto con el instalador.

La presión del agua es demasiado baja.

Conecte el aparato solo a líneas con suficiente presión de agua.

Hay un doblez en la manguera de agua.

Cierre el suministro de agua, enderece el doblez. En caso necesario, cambie la manguera de agua.

Muy pocos cubitos de hielo o deformados, menos presión de agua de lo habitual.

Después del encendido o de haber retirado varios cubitos de hielo, hay muy pocos cubitos de hielo en el depósito para cubitos.

Un depósito para cubitos de hielo vacío tarda aproximadamente 24 horas en llenarse.

La presión del agua es demasiado baja.

Conecte el aparato solo a líneas con suficiente presión de agua.

Muy pocos cubitos de hielo o deformados, menos presión de agua de lo habitual.

El filtro de agua/filtro de partículas está bloqueado o es necesario cambiarlo. Cambiar el filtro de agua/limpiar el filtro de partículas.

El congelador está demasiado caliente.

Fije la temperatura más fría.
→ *"Manejo del electrodoméstico"*
en la página 78

Sale agua del aparato.

La conexión de agua es inestanca.

Compruebe que las conexiones estén firmemente apretadas y la manguera de agua se encuentre en buen estado.

Si la manguera de agua está dañada, póngase en contacto con el servicio al cliente para sustituirla. La sustitución puede ser efectuada por un representante del servicio al cliente o por una persona con una cualificación similar. Utilice sólo piezas originales del fabricante.

Servicio al cliente

En caso de no poder reparar la avería, póngase en contacto con el Servicio al cliente. Siempre encontramos una solución adecuada, y también evitamos visitas innecesarias de los técnicos.

Los datos de contacto de los centros de servicio más cercanos se pueden encontrar aquí o en el directorio adjunto de servicios al cliente.

Al llamar por favor indique el número de producto (E-Nr.) y el número de fabricación (FD) de su unidad, que se encuentran en la placa de características del aparato.

→ *"Familiarizándose con el aparato"*
en la página 74

Confíe en la experiencia del fabricante. De este modo, estará seguro de que la reparación es realizada por personal técnico especializado, que además, dispone de las piezas de repuesto originales para su electrodoméstico.

Autoprueba del aparato

Su aparato dispone de un programa automático de autoprueba que le indica las fallas, que su Servicio al cliente puede solucionar.

1. Pulsar la tecla **S** para abrir el menú principal.
2. Con la tecla **➤** desplazarse a la opción de menú **Autotest**.
3. Iniciar el autotest con la tecla **✓**.
Comienza el autotest.
4. Si existen errores, se mostrarán. En ese caso, siga las instrucciones.
5. El aparato se reinicia.
6. Durante 10 segundos aparece el mensaje de que el autotest se ha completado. Puede confirmar el mensaje con la tecla **✓**.

Después de finalizar el autotest, el aparato vuelve al modo de funcionamiento normal.

Solicitud de reparación y asesoramiento en caso de averías

Los datos de contacto de todos los países los encontrará en el directorio adjunto de Servicio al cliente.

EE. U 877 442 4436 Llamada gratis
U.

-

Gaggenau
BSH Home Appliance Corporation
1901 Main Street, Suite 600
Irvine, CA 92614
1-877-442-4436

www.gaggenau.com/us
© 2018 BSH Home Appliances

Gaggenau Hausgeräte GmbH
Carl-Wery-Straße 34
81739 München
GERMANY



8001040856 (9902)
en-us, fr-ca, es-mx

GAGGENAU