



RC 462 704

fully integrated
Width 24" (61 cm)

RC 472 704

fully integrated
Width 30" (76.2 cm)

RC 492 704

fully integrated
Width 36" (91.4 cm)

Included accessories

1 egg holder with lid

Installation accessories

RA 421 615

Stainless steel door panel **with handle**
For 24" (61 cm) wide appliances,
panel thickness ¾".

RA 421 713

Stainless steel door panel **with handle**
For 30" (76.2 cm) wide appliances,
panel thickness ¾".

RA 421 914

Stainless steel door panel **with handle**
For 36" (91.4 cm) wide appliances,
panel thickness ¾".

RA 423 140

Side trims, long.

RA 425 110

Short stainless steel handle for
freezer drawer, length 25 7/8", with two
brackets, drilling distance between the
mounts 25 1/16".

RA 428 615

Stainless steel door panel, **handleless**
For 24" (61 cm) wide appliances, panel
thickness ¾".

RA 428 713

Stainless steel door panel, **handleless**
For 30" (76.2 cm) wide appliances,
panel thickness ¾".

RA 428 914

Stainless steel door panel, **handleless**
For 36" (91.4 cm) wide appliances,
panel thickness ¾".

RA 460 000

Installation kit for side-by-side installation
(for connecting any two columns)
Side-by-side kit comes already
attached to all RF freezer and RW
wine units.

400 series refrigeration column

[RC 462/RC 472/RC 492](#)

- Stainless steel interior with solid anthracite aluminum elements
- Warm white and glare-free LED light spots
- Net volume (24") 13.0 cu.ft., (30") 16.8 cu.ft., (36") 20.6 cu.ft.
- Opening assist for door with two options:
 1. Push-to-open function for integration into handleless furniture front
 2. Pull-to-open function to facilitate opening the door using a handle
- The drawers in the RC and RF models are positioned at the same height. With side-by-side installation, the glass shelves and door racks can be aligned on the same level
- Flat stainless steel inner door, full-length
- Almost invisible rail system for shelves and door racks for flexible positioning
- Solid anthracite aluminum door racks
- One fresh cooling drawer 32°F (0°C) with temperature control from 32°F to 37°F (-1° to +3°C) and one fresh cooling drawer with manually adjustable humidity
- TFT touch display
- ENERGY STAR® certified
- Sabbath mode certified by Star-K

Operation

TFT touch display operation.
Clear text display.

Features

Dynamic cold air distribution.
Automatic defrosting with defrost water evaporation.
Activated charcoal air filter.
Sabbath mode certified by Star-K. When sabbath mode is active, the appliance can only be opened using a handle.
Open-door and malfunction alarm.
Home network integration for digital services (Home Connect) wireless via WiFi.
For further information please check: home-connect.com.

Cooling

No-Frost technology with fast cooling. Temperature adjustable from 35°F to 46°F (+2°C to +8°C).
4 safety glass shelves, white glass, 3 of which are individually adjustable in height.
1 shallow, fully extendable drawer with transparent front.
4 brilliant LED light spots with warm white, glare-free light within cooling area and drawers.
Flat door rail system with fully flexible positioning of door racks.
3 height adjustable door racks, 1 of which is extra deep.
Net volume (24") 13.0 cu.ft., (30") 16.8 cu.ft., (36") 20.6 cu.ft.

Fresh cooling close to 32°F (0°C)

1 large, fully extendable fresh cooling 32°F (0°C) drawer with transparent front, illuminated
Temperature control via central TFT display, temperature can be adjusted

RA 460 013

Additional side heating element 110 V. Required if appliances are installed handle to hinge or hinge to hinge. Not required if appliances are installed more than 6" (160 mm) apart from each other.

RA 460 020

Connecting element for vertically split appliance fronts (for a flush front).

RA 464 611

Ventilation grill stainless steel
For 24" wide appliances.

RA 464 711

Ventilation grill stainless steel
For 30" (76.2 cm) wide appliances.

RA 464 911

Ventilation grill stainless steel
For 36" (91.4 cm) wide appliances.

Optional accessories

RA 430 100

Storage container with transparent lid, anthracite

from 30°F to 38°F (-1°C to +3°C).
Ideal for meat, fish and poultry.

Fresh cooling

1 fully extendable fresh cooling drawer with transparent front, illuminated. Humidity can be adjusted manually. Ideal for fruit and vegetables.

Consumption data

Energy consumption
(24") 264, (30") 289, (36") 313 kWh/year
Noise level 40 dBA.

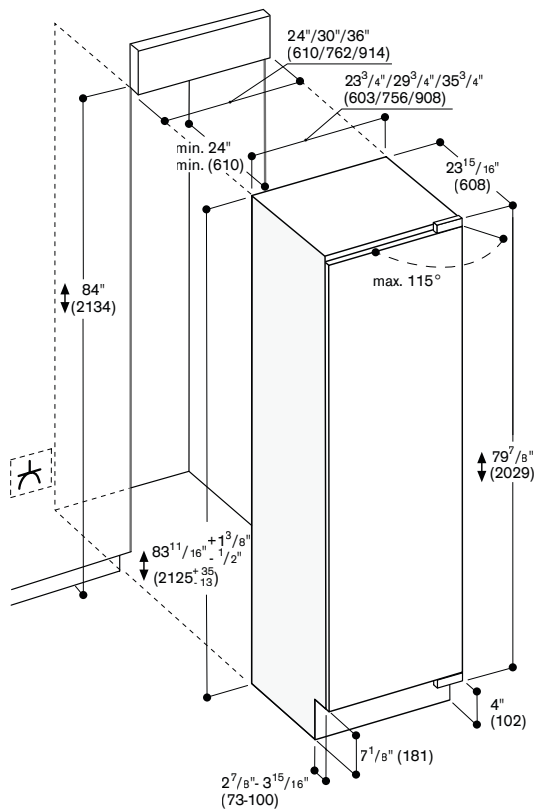
Planning notes

Flat hinge.
Door hinge right, reversible.
Door opening angle of 115°, fixable at 90°.
Max. door panel weight 95/53/90 lbs. (43/24/41 kg)

Rating

Total rating: (24") 0.723, (30") 0.792, (36") 0.858 kW/24h.
Total Amps: 15 A.
120 V / 60 Hz
Connecting cable 118" (3m), detachable.





The door face dimensions are designed for a maximum gap of $\frac{1}{8}''$ (3 mm).
 * For a flush-mounted appearance, the minimum cut-out depth must be 25".
 See more details on pages 223 and 225.