



CX 482 610

Stainless steel frame
Width 30" (80 cm)

Included accessories

1 Cooking sensor for temperature regulation in pots.

Installation accessories

In combination of several Vario cooktops, connecting strips must be used.

Choose respective VA 420 strip from one of the below, depending on type of installation.

VA 420 000

Connection strip for combination with other Vario appliances of the 400 series for **flush** mounting **without** appliance cover/filler strip.

VA 420 001

Connection strip for combination with other Vario appliances of the 400 series for **flush** mounting **with** appliance cover/filler strip.

VA 420 010

Connection strip for combination with other Vario appliances of the 400 series for **surface** mounting **without** appliance cover/filler strip.

VA 420 011

Connection strip for combination with other Vario appliances of the 400 series for **surface** mounting **with** appliance cover/filler strip.

VA 450 800

30" stainless steel filler strip.
Necessary accessory for combination of several 400 series Vario appliances with at least one appliance cover to compensate for the appliance depth.

Optional accessories

CA 060 300

Cooking sensor for temperature regulation within pots.

GN 232 110

Teppan Yaki plate made of multi-ply material, 13" x 21".
For full surface induction cooktops.

GN 232 230

Teppan Yaki plate made of multi-ply material, 13" x 14".
For full surface induction cooktops.

Vario 400 series full surface induction cooktop

CX 482

- One large cooking surface
- Free positioning of up to 5 items of cookware
- All sizes and formats of cookware can be used
- TFT touch display for an intuitive control of all functions
- Cooking sensor function for temperature control in pots
- Professional cooking functions
- Max. power output of up to 5,500 W for large cookware
- Precision-crafted 1/8-inch stainless steel frame
- For surface-mounting with a visible edge or for flush installation mounting
- Can be combined perfectly with other Vario 400 series appliances

Cooking zones

One unique cooking surface allows for cookware as small as 3" and as large as 13" x 21".

Up to 5 items of cookware can be placed simultaneously on the cooktop.

Operation

Easy to use color graphic TFT touch display with use indications.

Electronic power control in 17 output levels.

Features

Cooking sensor function.

Professional cooking function.

Dynamic cooking function.

Teppan Yaki function.

Booster function for pots.

Booster function for pans.

Keep warm function.

Individual pot detection.

Cooking timer for each cooking position.

Short-term timer.

Information key with use indicators.

Power management.

Home network integration for digital services (Home Connect) wireless via WiFi.

For further information please check: home-connect.com.

Safety

Main switch.

Residual heat indicator.

Child lock.

Safety shut-off.

Pause function.

Planning notes

Depending on the type of installation (surface-mounted or flush-mounted), the specific definition of the cut-out must be observed.

If combining several appliances with at least one appliance cover, the filler strip VA 450 is required to compensate for the depth of the appliance without the appliance cover.

If combining several Vario appliances of the 400 series, a connection strip VA 420 must be placed between the appliances. Depending on the type of installation, the corresponding connection strip must be provided.

In the cut-out, the installation system requires the side edge to be at least

3/8" (10mm) for surface mounting and at least 1/2" (13mm) for flush mounting. Ensure a continuous cut surface of 90°

The bearing capacity and stability, in the case of thin countertops in particular, must be supported using suitable substructures. Take into account the appliance weight and additional loads.

Additional instructions for flush mounting:

Installation is possible in countertops made of stone, synthetics or solid wood. Heat resistance and watertight sealing of the cut edges must be observed. Concerning other materials please consult the countertop manufacturer.

The groove must be continuous and even, so that uniform placing of the appliance on the gasket is ensured. Do not use discontinuous lining.

The joint width may vary due to size tolerances of the combinations and of the countertop cut-out.

If installing several appliances in individual cut-outs allow for a division bar of minimum 1 3/32" (50 mm) between the individual cut-outs.

Operates with magnetic (induction) iron pots and pans only. For an optimal heat distribution, the use of flat bottom cookware is recommended.

The wok pan WP 400 001 cannot be used with this appliance.

Intermediate shelf is recommended, but should be removable for customer service needs.

Appliance can be snapped into the countertop from above.

Appliance weight: approx. 68 lb. (30.8 kg).

Rating

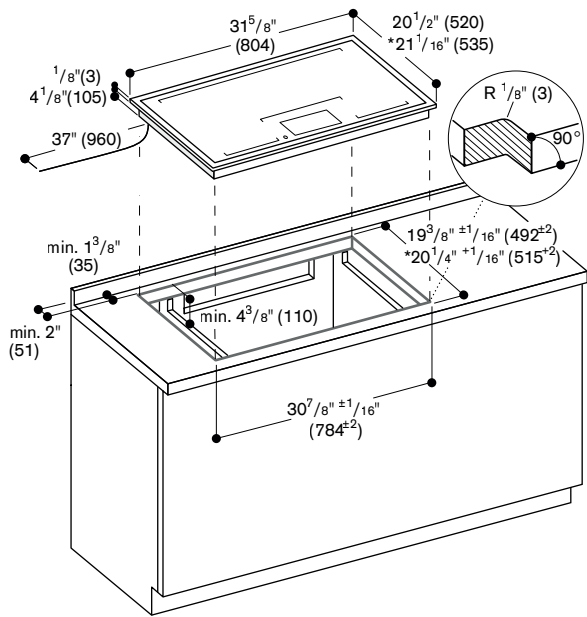
Total rating: 7.4 kW.

Total Amps: 30 A.

208/220-240 V / 60 Hz

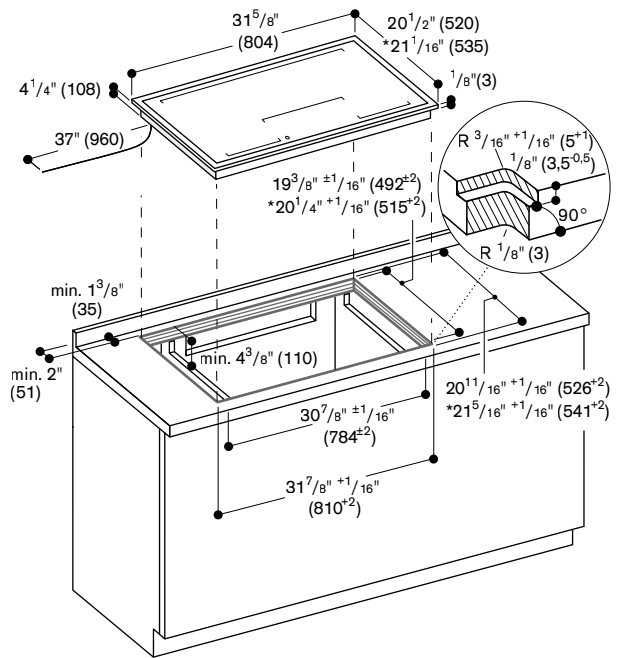
Plan for a 37" connecting cable without plug (hardwire required).

Surface-mount Installation



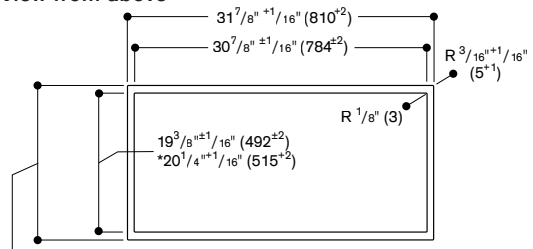
* with adjustment strip.
 ** Recessed depth in the vicinity of the electrical connection box: $4\frac{1}{16}''$.

Flush-mount Installation



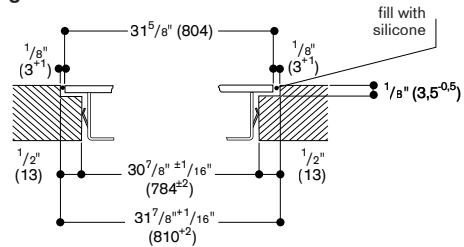
* with adjustment strip.
 ** Recessed depth in the vicinity of the electrical connection box: $4\frac{3}{16}''$.

View from above

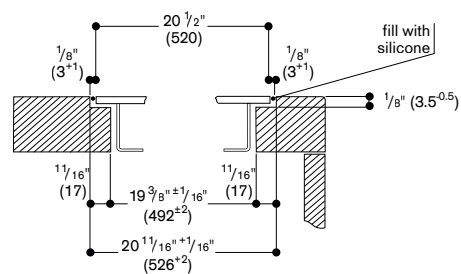


* with adjustment strip.

Longitudinal section



Cross section



For installation with appliance cover or adjustment bar, observe the deeper notch and the slot width front and back.