

CI292601
Flex induction cooktop
Frameless
Width 36" (90 cm)

Frameless for flush mounting
 Flex function for combining the rectangular cooking areas
 Free positioning of cookware inside combined cooking areas
 Cooking sensor function for temperature control in pots
 Frying sensor function for temperature control in pans
 Large cooking zone for pots up to ø 13"
 Twist-Pad control with removable magnetic knob
 Easy control of all functions with bi-coloured display

Cooking zones

2 flex induction cooking zones 7 1/2" x 9" (2200 W, with booster 3,700 W), linked together 15" x 9" (3300 W, with booster 3,700 W).

2 flex induction cooking zones 7 1/2" x 9" (2200 W, with booster 3,700 W), linked together 15" x 9" (3300 W, with booster 3,700 W).

1 induction cooking zone ø 9" (21cm) (2200 W, with booster 3700 W), automatically switches to ø 10" (26cm) (2600 W, with booster 3700 W) and to ø 13" (3300 W, with booster 3700 W).

Operation

Twist-Pad control with removable magnetic knob.

User friendly control with bi-coloured display (white / orange).

Cooking zone and cooking area marking.

Electronic power control in 17 output levels.

Features

Flex function for rectangular cooking areas.

Cooking sensor function (in use with cooking sensor CA 060 600).

Frying sensor function.

Booster function for pots.

Booster function for pans.

Keep warm function.

Stopwatch.

Cooking timer for up to 99 minutes.

Short-term timer.

Options menu.

Power management.

Cooktop-based ventilation control (with suitable hood).

Home network integration for digital services (Home Connect) wireless via WiFi.

The use of the Home Connect functionality depends on the Home Connect services, which are not available in every country. For further information please check: home-connect.com.

Safety

Main switch.

Operation indicator.

Pot detection.

Child lock.

Safety shut-off.

Planning notes

Operates with magnetic (induction) iron pots and pans only. For an optimal heat distribution, the use of flat bottom cookware is recommended.

The wok pan WP 400 001 cannot be used with this appliance.

Product Features

Knob Material

Full metal

Sealed Burners

No

Burners with booster

All

Type of grate

Total BTU load

LP Gas Connection Rating (BTU)

Power of heating element (kW in boost) [3.6]

Dimension of 1st heating element (in)

Power of 2nd heating element (kW in boost)

3.6

Dimension of 2nd heating element (in)

Power of 3rd heating element (kW in boost)

Dimension of 3rd heating element (in)

Power of 4th heating element (kW in boost)

Dimension of 4th heating element (in)

Power of 5th heating element (kW in boost)

Dimension of 5th heating element (in)

Power of 6th heating element (kW in boost)

3.6

Dimension of 6th heating element (in)

Consumption and connection features

UPC code

825225955764

Variant color

Black

Energy source

Electric

Gas type

Alternative gas type

Watts (W)

50

Current (A)

208-240

Frequency (Hz)

60

Approval certificates

CSA, FCC

Power Cord Length

37"

Plug type

no plug

Required cutout size (HxWxD) (in)

4 1/4" x 34 5/8" x 19 5/16"

Minimum distance from counter front (in)

2"

Minimum distance from rear wall (in)

2"

Overall appliance dimensions (HxWxD) (in)

0"+4 1/4" x 35 3/4" x 20 1/2"

Product packaging dimensions (HxWxD) (in)

7 1/16" x 42 1/8" x 26 3/4"

Net weight (lbs)

56

Gross weight (lbs)

64

Total number of cooktop burners

5

2019-07-10

Page 1

Intermediate shelf is recommended, but should be removable for customer service needs.

Appliance must be fixed from underneath. Hardwire required.

Total Amps: 50A. 208/220 - 240 V. / 60 Hz

Connection

Total rating: 208/220 - 240 V : 10.8 kW. 60 Hz

Plan for a 37" connecting cable without plug (hardwire required).

Power consumption standby/display off NO_FEATURE.

Power consumption standby/network NO_FEATURE.

Please check the user manual for how to switch off the WiFi module.

Color Variants

CI292601

Frameless

Width 36" (90 cm)

Optional accessories

CA051300

Teppan Yaki made of multi ply material

CA060600

Cooking sensor for temperature regulation within pots

CA230100

Black magnetic knob for induction cooktop 200 series

GP900001

Stainless steel frying sensor pan.

GP900002

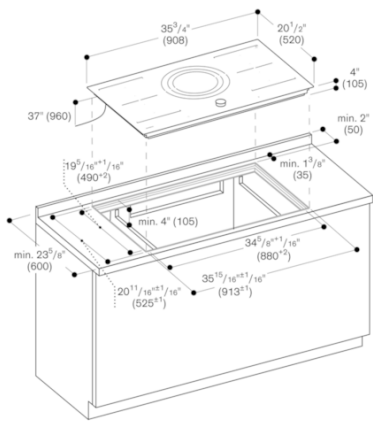
Stainless steel frying sensor pan.

GP900003

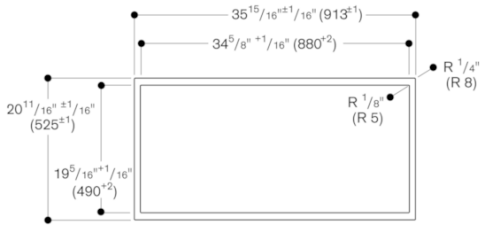
Stainless steel frying sensor pan.

GP900004

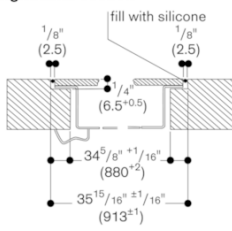
Stainless steel frying sensor pan.



View from above



Longitudinal section



Cross-section

