



**BO451612**  
**400 series oven**  
**Stainless steel-backed full glass door**  
**Width 24" (60 cm)**  
**Controls on top**

**Handleless door / automatic door opening**  
**Pyrolytic self-cleaning system**  
**Universal heating system with 13 heating modes, with meat probe and baking stone operation**  
**Automatic programs**  
**Core temperature probe with estimation of cooking time**  
**TFT touch display**  
**Panel-free appliance with surface control module**  
**Electronic temperature control from 30 °C to 300 °C**  
**Net volume 76 litres**

**Cooking modes**

Convection.  
 Economy convection.  
 Top + bottom heat.  
 Top heat.  
 Bottom heat.  
 Convection + bottom heat.  
 Convection broiling.  
 Broiling.  
 Economy broiling.  
 Baking stone operation.  
 Roaster operation.  
 Dough proofing.  
 Defrosting.

**Operation**

One touch control panel and an interactive visual display.  
 Rotary knob and TFT touch display operation.  
 Clear text display in 25 languages.  
 Option to save 50 individual recipes (incl. meat probe)  
 Personalization of automatic programs.  
 Information key with use indicators.  
 Side-opening door opens up to 180° angle.

**Features**

Three-point core temperature prove with automatic shut-off and estimation of cooking time.  
 Baking stone outlet.  
 Actual temperature display.  
 Fast heating setting.  
 Timer functions: cooking time, switch-off time, short-term timer, stopwatch.  
 60 W halogen light on the top.  
 10 W halogen light on the side.  
 Enamelled side shelf supports with 4 tray levels, pyrolysis-safe.  
 Home network integration for digital services (Home Connect) either via cable connection LAN (recommended) or wireless via WiFi.  
 The use of the Home Connect functionality depends on the Home Connect services, which are not available in every country. For further information please check: home-connect.com.

**Safety**

Thermally insulated door with quadruple glazing.  
 Child lock.  
 Safety shut-off.  
 Cooled housing with temperature protection.

**Cleaning**

Pyrolytic self-cleaning.  
 Gaggenau Clean-Enamel.  
 Heated air cleaning catalystr.

**Planning notes**

**Product Features**

**Cooking mode**  
 Baking stone function, Bottom heat, Conventional heat, Defrost, Dough proving setting, Full width broil, Half width broil, Hot Air, Hot air broiling, Hot Air-Eco, Roasting function, Top heat

**Integrated Cleaning system**  
 Self Clean

**Interior Lights - primary cavity**  
 2

**Pull-out system**  
 Accessory

**Timer settings**  
 Alarm, Off, On, timer

**Included accessories**  
 1 x enamel baking tray, suit. pyrolytic clean, 1 x grill shelf, 1 x grill tub with grid, 1 x pluggable meat probe

**Bake Element Wattages primary cavity (W)**  
 1300

**Broil Element Wattages primary cavity (W)**  
 3000

**Convection Element Wattages primary cavity (W)**  
 2100

**Microwave Wattages (W)**

**Drawer wattage (W)**

**Consumption and connection features**

**UPC code**  
 825225957423

**Product color**  
 Alternative colors available

**Energy source**  
 Electric

**Watts (W)**  
 4030

**Current (A)**  
 17

**Volts (V)**  
 208/220-240

**Frequency (Hz)**  
 60

**Approval certificates**  
 CSA, ETL, UL

**Power Cord Length**  
 39 3/8

**Plug type**  
 fixed connection

**Required cutout size (HxWxD) (in)**  
 23 1/4 " x 22 1/16 x 21 11/16 "

**Product packaging dimensions (HxWxD) (in)**  
 30 11/16 x 26 3/4 x 29 15/16

**Net weight (lbs)**  
 127

**Gross weight (lbs)**  
 136

**2020-02-03**  
 Page 1

Door hinge not reversible.  
 The front of the appliance extends 1 7/8" from the cabinet front.  
 Consider the overhang when planning to open drawers next to the appliance.  
 When planning a corner solution, pay attention to the 90° door opening angle.  
 To achieve the 21 5/8" installation depth, the connection cable needs to follow the slanted edge on the lower right hand corner of the housing.  
 Plan a power outlet outside of the cut-out niche.  
 The LAN port can be found at the back on the upper right side.

**Rating**

Total rating 4.0 kW.  
 Total Amps: 17A.  
 208 / 220 - 240 V / 60 Hz.  
 Plan for a 39 3/8" long connecting cable without plug (hardwire required).  
 Plan for a LAN cable.

**Color Variants**

**BO451612**  
**Stainless steel-backed full glass door**  
**Width 24" (60 cm)**

**Included accessories**

1 x enamel baking tray.  
 suit. pyrolytic clean.  
 1 x grill shelf.  
 1 x grill tub with grid.  
 1 x pluggable meat probe.

**Optional accessories**

**BA016165**  
**Pull-out system**

**BA026115**  
**Baking tray, enameled**

**BA036165**  
**Wire rack, chromium-plated**

**BA056115**  
**Heating element for baking stone and cast-iron roaster**

**BA056133**  
**Baking stone**

**BA226105**  
**Broil pan, enameled**

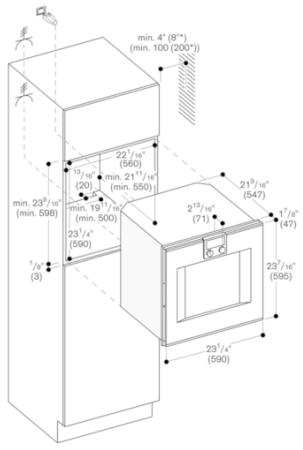
**BS020002**  
**Pizza peel, additional set of 2**

**GN340230**  
**Non-stick aluminum cast-iron roaster**

**Product Variants**

**BO450612**  
**400 series oven**  
**Stainless steel-backed full glass door**  
**Width 24" (60 cm)**  
**Controls on top**

BO451612  
400 series oven  
Stainless steel-backed full glass door  
Width 24" (60 cm)  
Controls on top  
2020-02-03  
Page 2



\* 8" (200 mm) in conjunction with BA 016