



**BMP251710**  
**200 series speed microwave oven**  
**Full glass door in Gaggenau Metallic**  
**Width 24" (60 cm)**  
**Left-hinged**  
**Controls on top**

**Flush installation**  
Single operation and combination of microwave, grill and oven  
Sequential operation of up to 5 modes incl. programming of combined operation and rest time  
TFT touch display  
Electronic temperature control  
Interior volume 36 litres

#### Programs

Microwave operation with 5 output levels: 1000, 600, 360, 180, 90 W.  
Oven operation with 4 heating methods:  
- Convection at 100°F and from 210°F - 480°F.  
- Broil + Convection from 210°F - 480°F.  
- Broil + circulated air from 210°F - 480°F.  
- Broil with 3 levels of intensity, maximum output 2000 W.  
Heating methods with microwave output levels 600, 360, 180 and 90 W freely combinable.  
15 automatic programs with weight indication, customizable:  
4 defrosting programs  
4 cooking programs  
7 combination programs  
Option to save 50 individual recipes.

#### Operation

Rotary knob and TFT touch display operation.  
Clear text display in 25 languages.  
Information key with use indicators.  
Side-opening door opens up to 110° angle.

#### Features

Innowave.  
Fast heating setting.  
4 tray levels.  
Actual temperature display.  
60 W halogen light on the side.

#### Safety

Thermally insulated door with triple glazing.  
Triple door lock.  
Child lock.  
Safety shut-off.  
Cooled housing with temperature protection.

#### Cleaning

Hygienic stainless steel interior with glass ceramic base.  
Interior back wall with catalytic coating.

#### Planning notes

Door hinge not reversible.  
Plan the niche without back wall.  
Necessary lateral gap between appliance door and cabinet front of min. 3/16".  
The door panel front of the appliance extends 13/16" from the cabinet front.  
The outer edge of the door handle extends 2 13/16" from the cabinet front.  
Consider the overhang, incl. the door handle, when planning to open drawers next to the appliance.  
When planning a corner solution, pay attention to the 110° door opening angle.  
Plan a power outlet outside of the cut-out niche.

#### Rating

Total rating 3.1 kW.  
Plan for a 42" connection cable without plug (hardwire required).

#### Product Features

**Max. Microwave power (W)**  
1000  
**Number of Power Levels**  
5  
**Turntable**  
No  
**Turntable diameter (in)**  
**Heating type**  
Combi microwave constant, Full width variable broil, Hot Air, Hot air broiling, Microwave  
**Cavity material**  
Stainless steel  
**Door opening**  
Handle  
**Clock / Timer**  
Yes  
**Max. extraction rate (CFM)**  
**Maximum output recirculating air**  
**Ventilation Power Levels**  
**Type of Filter**  
**Type of lights**  
**Number of lights**  
**Included accessories**  
1 x combination grid

#### Consumption and connection features

**UPC code**  
825225931980  
**Product color**  
Stainless steel  
**Alternative colors available**  
**Watts (W)**  
3100  
**Current (A)**  
2\*20  
**Volts (V)**  
120  
**Frequency (Hz)**  
60  
**Approval certificates**  
CE, VDE  
**Power Cord Length**  
59"  
**Plug type**  
no plug  
**Required cutout size (HxWxD) (in)**  
17 23/32" x 22 1/16" x 21 21/32"  
**Overall appliance dimensions (HxWxD) (in)**  
17 59/64" x 23 15/64" x 22 3/64"  
**Product packaging dimensions (HxWxD) (in)**  
22.04 x 27.95 x 27.16  
**Net weight (lbs)**  
78  
**Gross weight (lbs)**  
90  
**2019-07-10**  
**Page 1**

#### Color Variants

**BMP251710**  
**Full glass door in Gaggenau Metallic**  
**Width 24" (60 cm)**

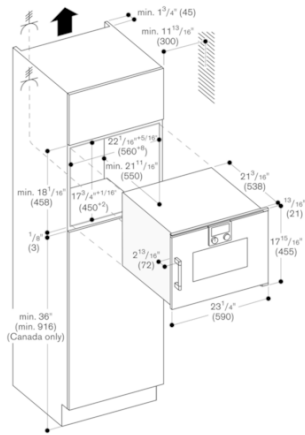
#### Included accessories

1 x combination grid.

**BMP251710**  
**200 series speed microwave oven**  
**Full glass door in Gaggenau Metallic**  
**Width 24" (60 cm)**  
**Left-hinged**  
**Controls on top**

---

2019-07-10  
 Page 2



Side View BSP, BMP over BOP

