

# JT5500EJ

## GE® 30" Built-In Double Wall Oven with Convection

### DIMENSIONS AND INSTALLATION INFORMATION (IN INCHES)

**NOTE:** Cabinets installed adjacent to wall ovens must have an adhesion spec of at least a 194°F temperature rating.

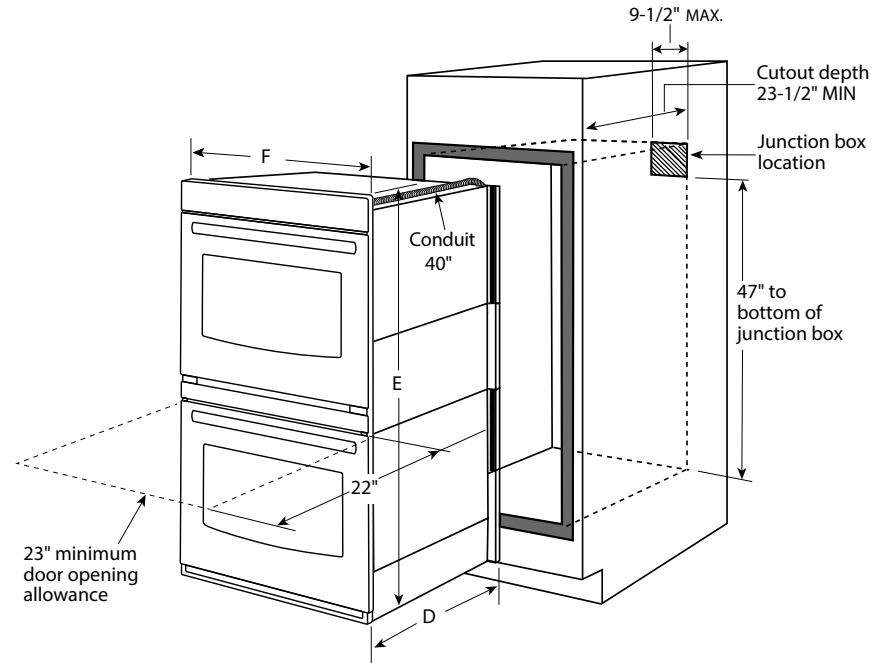
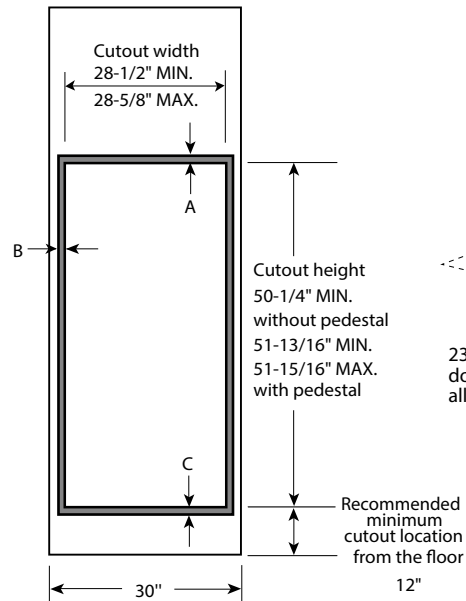
Door handle protrudes 3" from door face. Cabinets and drawers on adjacent 45° and 90° walls should be placed to avoid interference with the handle.

Electric wall ovens are not approved for installation with a plug and receptacle. They must be hard wired in accordance with installation instructions.

#### INSTALLATION INFORMATION:

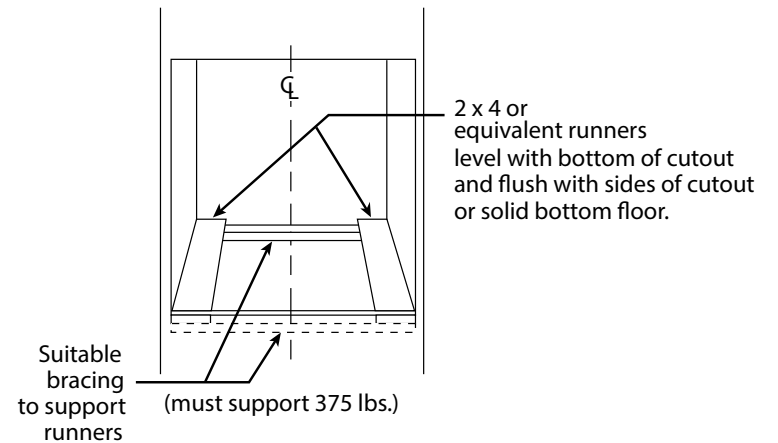
Before installing, consult installation instructions packed with product for current dimensional data.

| KW RATING    |         |
|--------------|---------|
| 240V         | 8.4     |
| 208V         | 6.5     |
| BREAKER SIZE |         |
| 240V         | 40 Amps |
| 208V         | 40 Amps |



#### JT5550

|  |         |
|--|---------|
| Cabinet  | 30"     |
| A – Overlap of oven at top of cutout             | 1"      |
| B – Overlap of oven over side of edges of cutout | 3/4"    |
| C – Overlap of oven at bottom of cutout          | 1-1/4"  |
| Oven   |         |
| D – Install depth                                | 23-1/2" |
| E – Overall height with trim                     | 53"     |
| F – Overall width                                | 29-3/4" |



GE APPLIANCES

For answers to your Monogram,® GE Profile™ or GE® appliance questions, visit our website at [geappliances.com](http://geappliances.com) or call GE Answer Center® service, 800.626.2000.



Listed by Underwriters Laboratories



# JT5500EJ

## GE® 30" Built-In Double Wall Oven with Convection

### FEATURES AND BENEFITS

True European Convection (upper oven) – Achieve delicious results from a third heating element and fan combination

Self-clean with steam clean option (both ovens) – Clean your oven the way you want

Self-clean heavy-duty oven racks – Conveniently clean your oven and racks together

Glass touch controls – Set temperatures quickly and clean with little effort

Halogen interior oven lighting – Easily see how your food is baking

Ten-pass bake element – Even baking is assured with heat that covers more surface area

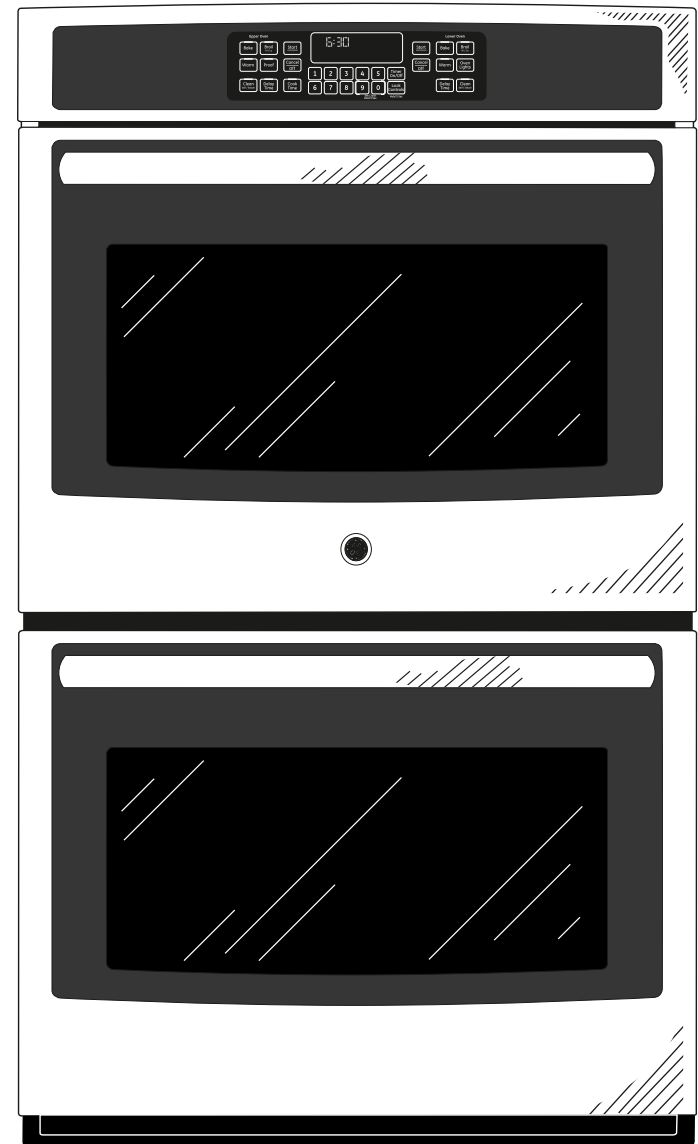
Eight-pass broil element – Get full broil coverage and even browning from edge to edge

Double oven 10.0 cu. ft. total oven capacity (5.0 cu. ft. both ovens) – Large meals are easy with capacity that fits more at one time

Black gloss oven interior – Enjoy a clean and sleek appearance

Hidden bake – Make cleanup easy by eliminating hard-to-reach areas

Model JT5500EJES – Slate



GE APPLIANCES