

GTW680BSJ

GE® Series 4.6 DOE Cu. Ft. Stainless Steel Capacity Washer

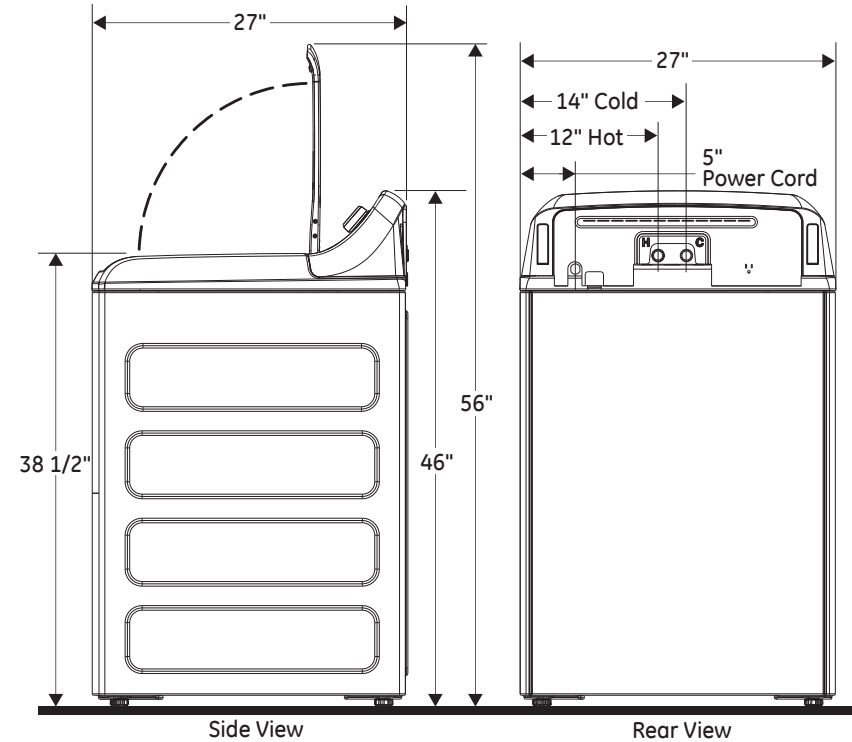
DIMENSIONS AND INSTALLATION INFORMATION (IN INCHES)

CIRCUIT REQUIREMENTS: An individual, properly-grounded branch circuit, with a three-prong grounding-type receptacle, protected by a 15 or 20 amp circuit breaker or a time-delay fuse, is required.

ELECTRICAL RATING: 115V, 60Hz, 10A

NOTE: Washer wall outlet must be located within 36" of service code entry. Wall outlet must not be located behind dryer.

INSTALLATION INFORMATION: Before installing, consult installation instructions packed with product for current dimensional data.



GE APPLIANCES

For answers to your Monogram®, GE Profile™ Series or GE® Series appliance questions, visit our website at geappliances.com or call GE Answer Center® service, 800.626.2000.



Listed by
Underwriters
Laboratories

Specification Created 7/15

GTW680BSJ

GE® Series 4.6 DOE Cu. Ft. Stainless Steel Capacity Washer

FEATURES AND BENEFITS

Sanitize with Oxi – Remove 99.9% of bacteria with a dedicated cycle that uses an Oxi additive to boost your detergent’s cleaning power, while keeping fabrics looking and feeling their best

Stain Removal Guide – Assists removing tough stains with preprogrammed settings that modify your cycle to treat the four most common stains

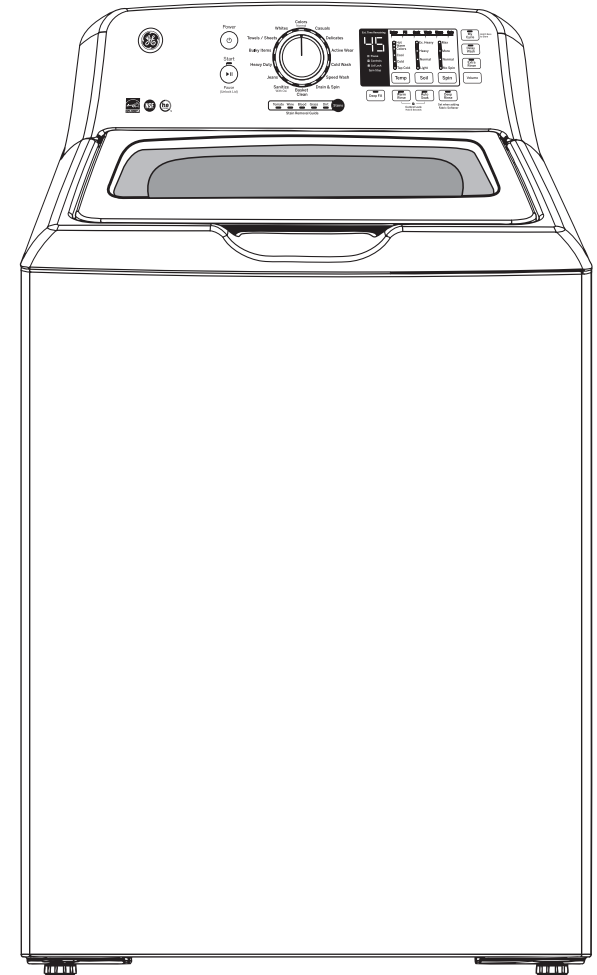
Warm Rinse – Removes any leftover soap residue

Deep Fill – Adds more water for larger loads

Deep Rinse – Removes any leftover soap residue

Auto Soak – Loosens stains by soaking up to 2 hours

Model GTW680BSJWS – White with silver backsplash



MODIFIED ENERGY FACTOR (IMEF)	2.08
WATER FACTOR (IWF)	3.6



GE APPLIANCES