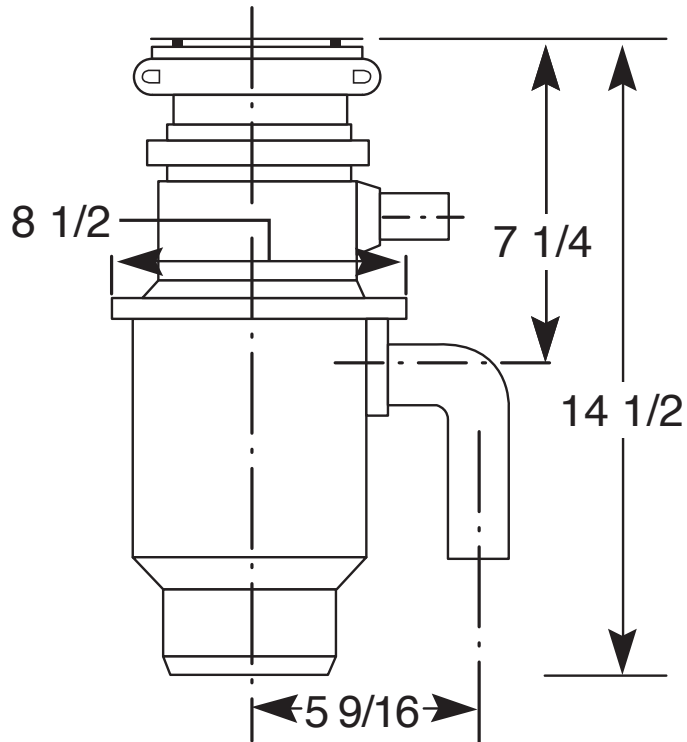


GFC720N

GE® 3/4 Horsepower Continuous-Feed Disposer

DISPOSALL® FOOD WASTE DISPOSER DIMENSIONS (IN INCHES)



INLET/OUTLET DIAMETERS	
Dishwasher inlet diameter (in.)	1
Drain outlet diameter (in.)	1-1/2

POWER/RATINGS	
Power Connection	Direct Wire
Volts/Hertz/Amps	120 V/60 Hz/6.0 A



For answers to your GE Profile™ Series or GE Appliances product questions, visit our website at geappliances.com or call GE Answer Center® Service, 800.626.2000.



Specification Revised 4/19

GFC720N

GE® 3/4 Horsepower Continuous-Feed Disposer

FEATURES AND BENEFITS

3/4 Horsepower Motor

Super-Capacity, Continuous-Feed Disposer

Over 2,700 RPM Grinding Action*

Stainless Steel Jam-Resistant, Dual-Swivel Impellers

EZ Mount installation – 3-bolt mount adapter kit included in box

Direct Wire Power Connection

Sound Reduction Technology

Cold Rolled Carbon Steel Armature Shaft Material

SplashGuard

Wall Switch with Sink Stopper

Manual Reset Overload Protector

Dishwasher Drain Connector

Stainless Steel Sink Flange

Stainless Steel Turntable

2 Level Precutter

Model GFC720N

*Based on RPM testing of cleared GE and competitive models

