

# GDF540HGD/HSD

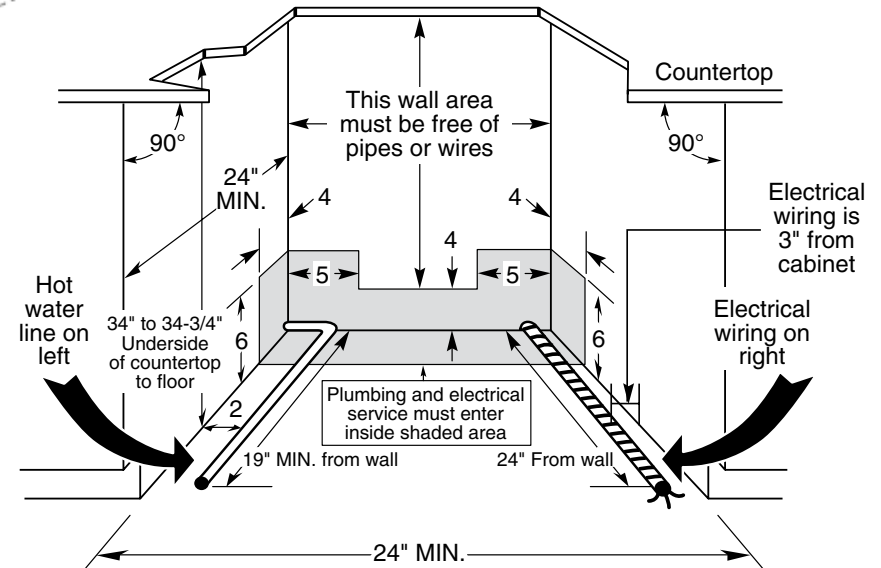
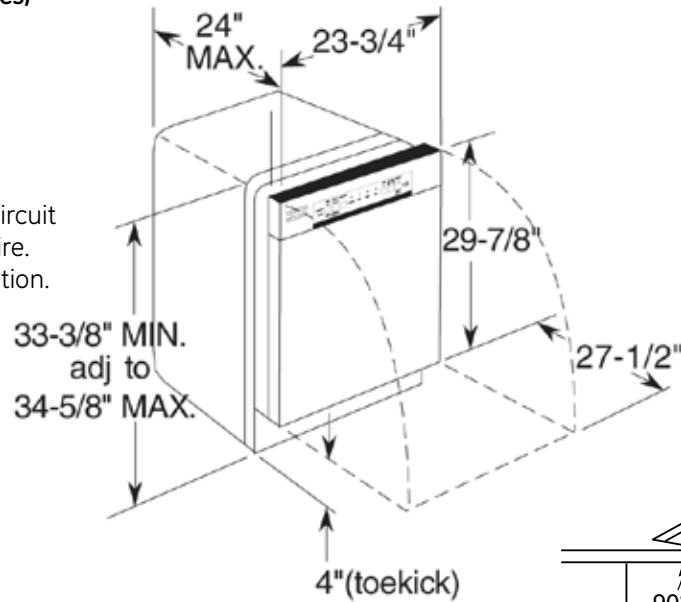
## GE® Hybrid Stainless Steel Interior Dishwasher with Front Controls

### Dimensions and Installation Information (in inches)

#### Electrical Rating

Voltage AC.....	120
Hertz.....	60
Total connected load amperage.....	9.9
Calrod® heater watts.....	615/800

For use on adequately wired 120-volt, 15-amp circuit having 2-wire service with a separate ground wire. This appliance must be grounded for safe operation.



For answers to your Monogram®, GE Profile™ or GE® appliance questions, visit our website at [geappliances.com](http://geappliances.com) or call GE Answer Center® service, 800.626.2000.



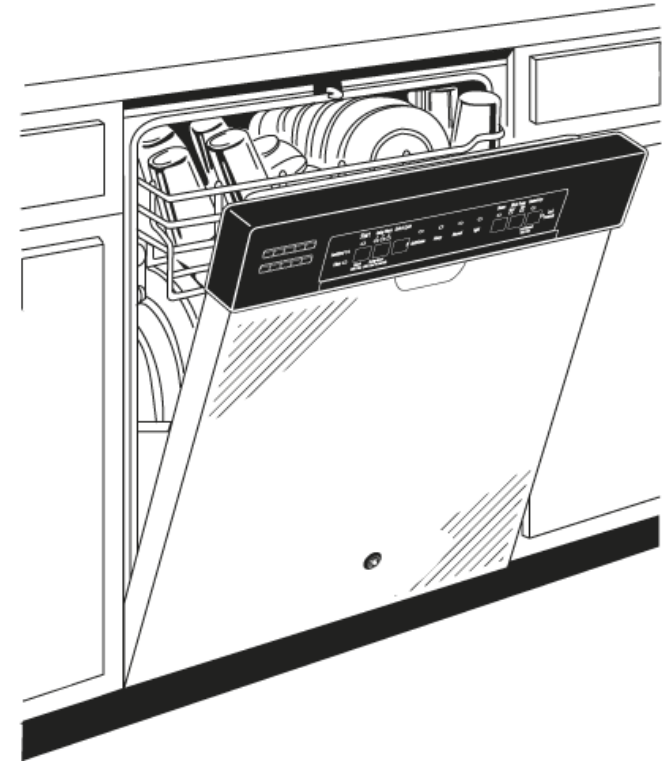
As an ENERGY STAR® partner, GE has determined that this product meets the ENERGY STAR guidelines for energy efficiency.

# GDF540HGD/HSD

## GE® Hybrid Stainless Steel Interior Dishwasher with Front Controls

### Features and Benefits

- Hybrid Stainless Steel Interior - Enjoy the combination of stainless steel on the inner door and a durable PermaTuf® tub
- GE's most advanced wash system - Consistently clean, dry and sanitized dishes are ensured with GE's most advanced wash system, combining 65% more wash power\* with advanced performance features \*Wash power delivered to each rack. Compared to previous GE models
- Piranha™ Hard Food Disposer with Removable Filter - To ensure consistently clean items, this stainless steel blade rotates at 3,600 RPM to pulverize food particles. The disposer helps to prevent large particles from clogging the wash arms
- Easy Access Silverware Baskets - To help make loading silverware and small items easy, two baskets offer plenty of space, while dedicated silverware jets ensure table-ready results
- Adjustable Upper Rack - Fitting plates up to 10½" and other tall items in the upper rack is possible with an adjustment
- Wash Your Way Customizable Rack - Easy loading and unloading is assured with the ability to adjust the direction of the lower rack tines based on your kitchen layout
- Pearlescent dark gray racks with ball tip tines - Offer durability and secure dishes
- 52 dBA with status light on door - Nearly silent two-pump system cleans dirty dishes without disruption
- Steam Prewash - Loosens tough soils before any cycle, virtually eliminating the need for soaking or pre-rinsing dishes
- Model GDF540HSDSS – Stainless steel
- Model GDF540HGDWW – White on white
- Model GDF540HGDBB – Black on black



imagination at work



As an ENERGY STAR® partner, GE has determined that this product meets the ENERGY STAR guidelines for energy efficiency.