

PGS930YP/BP

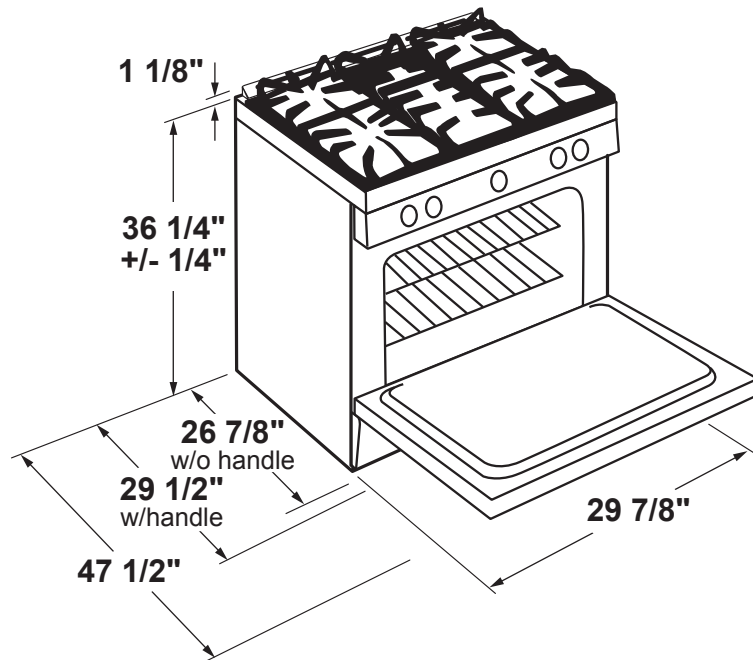
GE Profile™ 30" Smart Slide-In Front-Control Gas Fingerprint Resistant Range with No Preheat Air Fry

NOTE: Door handle protrudes 3" from door face. Cabinets and drawers on adjacent 45° and 90° walls should be placed to avoid interference with the handle.

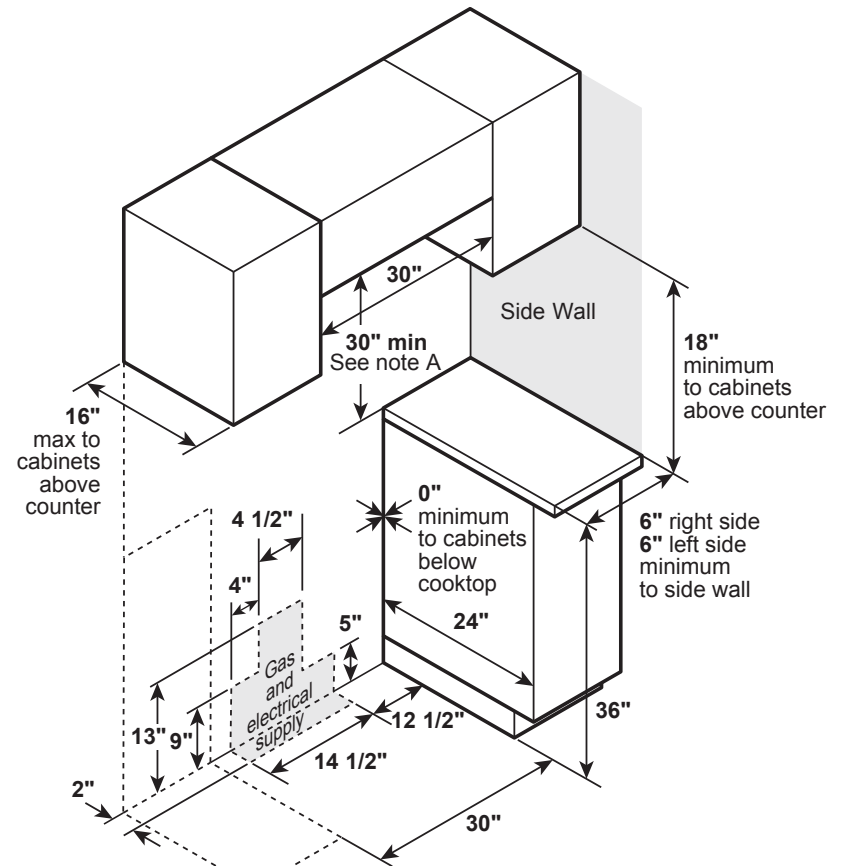
NOTE: Cabinets installed adjacent to slide-in ranges must have an adhesion spec of at least 194° temperature rating.

INSTALLATION INFORMATION: Before installing, consult installation instructions packed with product for current dimensional data.

For all installations, install the required rear trim to back of range with 4 screws provided.



GAS PIPE AND ELECTRICAL OUTLET LOCATIONS



Note A: 30" Minimum to bare cabinet, see installation instructions heights less than 30"



For answers to your Monogram, GE Café™, GE Profile™ or GE Appliances product questions, visit our website at geappliances.com or call GE Answer Center® Service, 800.626.2000.



All GE ranges are equipped with an Anti-Tip device. The installation of this device is an important, required step in the installation of the range.

PGS930YP/BP

GE Profile™ 30" Smart Slide-In Front-Control Gas Fingerprint Resistant Range with No Preheat Air Fry

FEATURES AND BENEFITS

No Preheat Air Fry – With this air fryer right in the oven, you can cook healthier, crispier versions of your favorite foods. There's no preheat required and it shortens the cook time because every minute counts.

Built-in WiFi – This smart oven features built-in WiFi so you can control oven functions with the SmartHQ app on your smart device.

Fingerprint Resistant Stainless – A stainless finish that makes it easy to keep your appliances free of smudges and prints.

Fit Guarantee – This gas range will fit your existing 30" cut-out, or GE Appliances will help pay for modifications up to \$300.

Edge-to-Edge Cooktop – Continuous, edge-to-edge cooktop give you a large cooking space and can handle any cookware.

Tri-Ring Burner – A versatile burner offers three different-sized flame rings on a single burner element, so it's like having three burners in one.

Reversible Grill and Griddle – This extra-large, reversible griddle and grill combination lets you enjoy the best in cooking versatility.

Dual Purpose Center Burner – This flexible gas cooktop burner lets you choose between round and oval burner shapes.

Backlit Glass Touch Controls – Backlit touch controls give this oven a high-tech look with a display that disappears when not in use and reappears when touched.

Power Boil Burner – This 18,000-BTU power boil element produces intense heat to boil water fast.

Synchronized Clocks and Lights – Synchronize your oven and GE Appliances over-the-range microwave so that clocks are always matching and lights automatically come on when a burner is activated with Chef Connect.

True European Convection – This oven features True European Convection, an advanced convection system that uses a third heating element and fan for the highest level of heat and air circulation.

Never-Scrub Oven Racks – These durable oven racks can be left in the oven during the self-clean cycle so you never have to scrub.

Model PGS930YPFS – Fingerprint Resistant Stainless

Model PGS930BPFS – Black Stainless



Visit geappliances.com for more info

