



# FRIGIDAIRE

## Factory Parts Catalog

|                    |               |               |               |
|--------------------|---------------|---------------|---------------|
| Product No.        | FFET1222UB    | FFET1222UV    | FFET1222UW    |
| Series             | Frigidare     | Frigidare     | Frigidare     |
| Color              | black         | stainless     | white         |
| Owner's Guide      | A13290801     | A13290801     | A13290801     |
| Market             | North America | North America | North America |
| Service Data Sheet | 2700604942    | 2700604942    | 2700604942    |

### Frigidaire

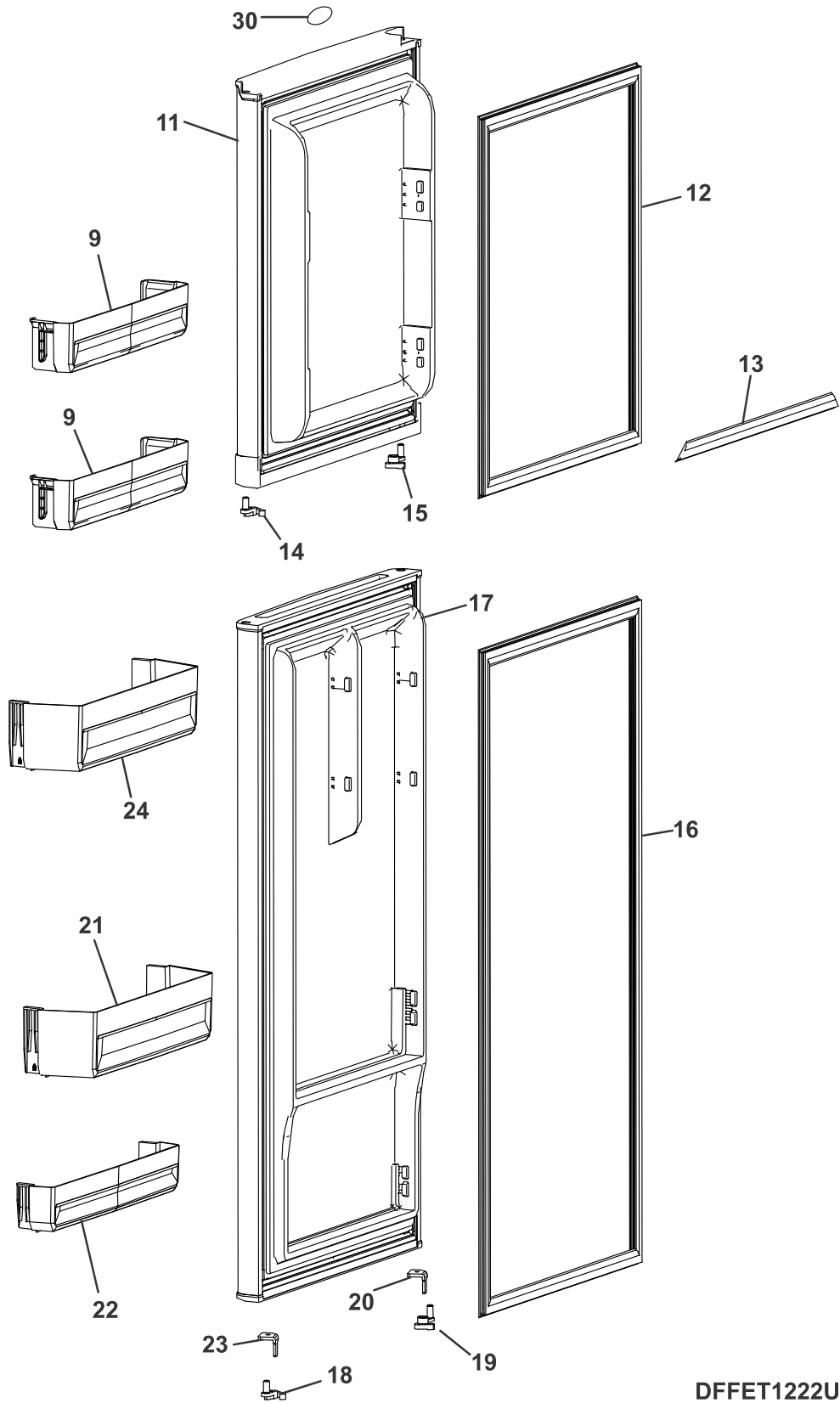
P.O. BOX 8020  
CHARLOTTE, NC 28262

Publication No.  
**5995705844**  
18/07/27  
(EN/SERVICE/ECL)  
390

### TOP-MOUNT REFRIGERATOR

Model No.  
FFET1222U

DOOR



DFFET1222U

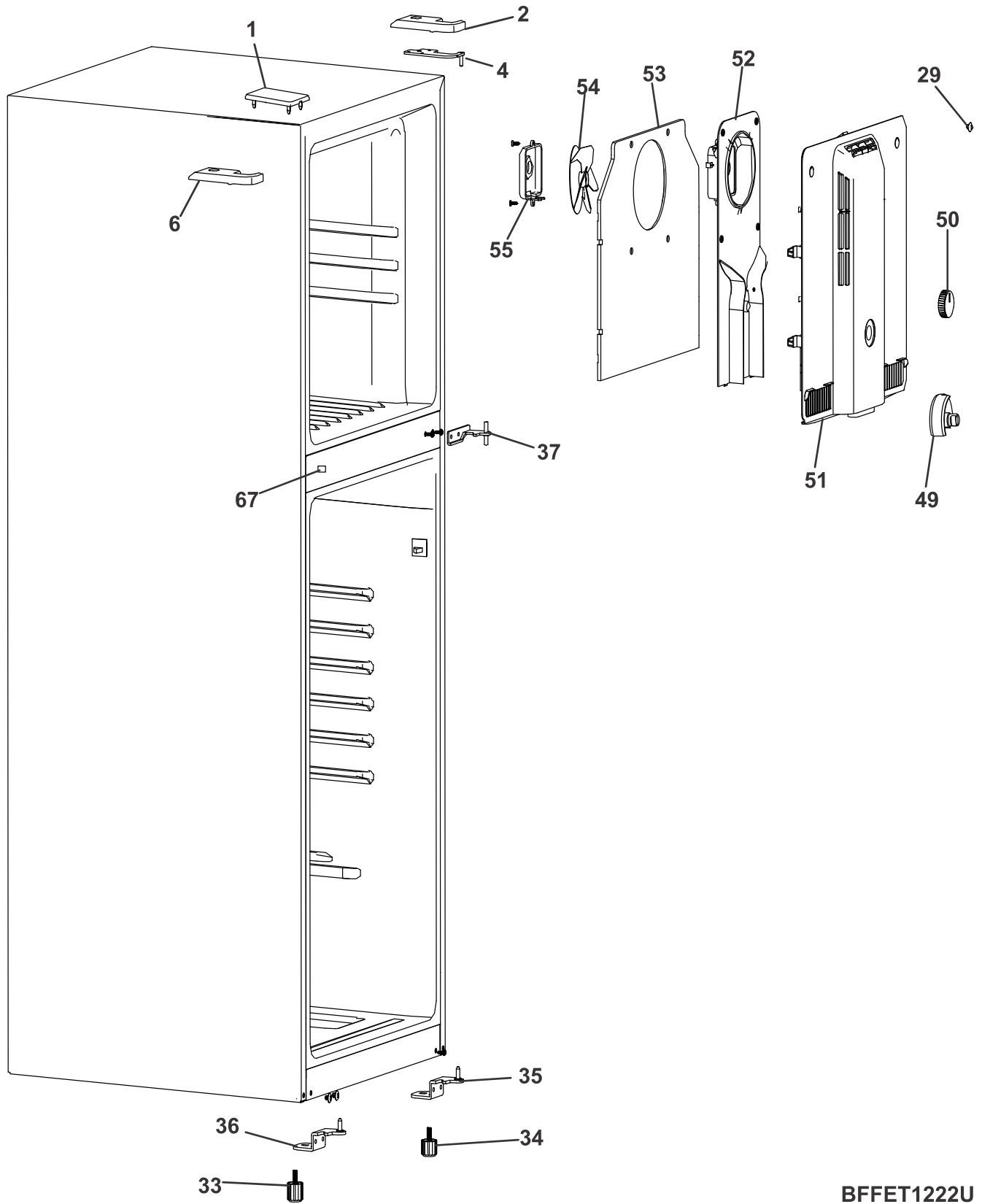
## DOOR

---

*Model Index:*   A FFET1222U (FFET1222UB)  
                       B FFET1222U (FFET1222UV)  
                       C FFET1222U (FFET1222UW)

| POS. NO | PART NO.   |       | DESCRIPTION                                |
|---------|------------|-------|--|
| 9       | 5304518481 | A B C | Rack, freezer door, (2)                    |
| 11      | 5304518549 | A - - | Door Assembly, freezer, black              |
| 11      | 5304518480 | - B - | Door Assembly, freezer, stainless          |
| 11      | 5304518531 | - - C | Door Assembly, freezer, white              |
| 12      | 5304518550 | A - - | Gasket, freezer door, black                |
| 12      | 5304518478 | - B - | Gasket, freezer door, gray                 |
| 12      | 5304518530 | - - C | Gasket, freezer door, white                |
| 13      | 5304518479 | A B C | Gasket, liner, freezer door                |
| 14      | 5304518477 | A B C | Door Stopper, freezer door, RH door swing  |
| 15      | 5304518556 | A B C | Door Stopper, freezer door, LH door swing  |
| 16      | 5304518551 | A - - | Gasket, refr door, black                   |
| 16      | 5304518483 | - B - | Gasket, refr door, gray                    |
| 16      | 5304518532 | - - C | Gasket, refr door, white                   |
| 17      | 5304518552 | A - - | Door Assembly, refrigerator, black         |
| 17      | 5304518567 | - B - | Door Assembly, refrigerator, stainless     |
| 17      | 5304518571 | - - C | Door Assembly, refrigerator, white         |
| 18      | 5304518485 | A B C | Closer, refr door, RH door swing           |
| 19      | 5304518553 | A B C | Closer, refr door, LH door swing           |
| 20      | 5304518554 | A B C | Bracket, door closer, metal, LH door swing |
| 21      | 5304518486 | A B C | Rack, refr door, lower                     |
| 22      | 5304518555 | A B C | Rack, refr door, bottom                    |
| 23      | 5304518484 | A B C | Bracket, door closer, metal, RH door swing |
| 24      | 5304518482 | A B C | Rack, refr door, upper                     |
| 30      | 5304518557 | A - - | Badge, nameplate, black                    |
| 30      | 5304518568 | - B - | Badge, nameplate, stainless                |
| 30      | 5304518572 | - - C | Badge, nameplate, white                    |

**CABINET**



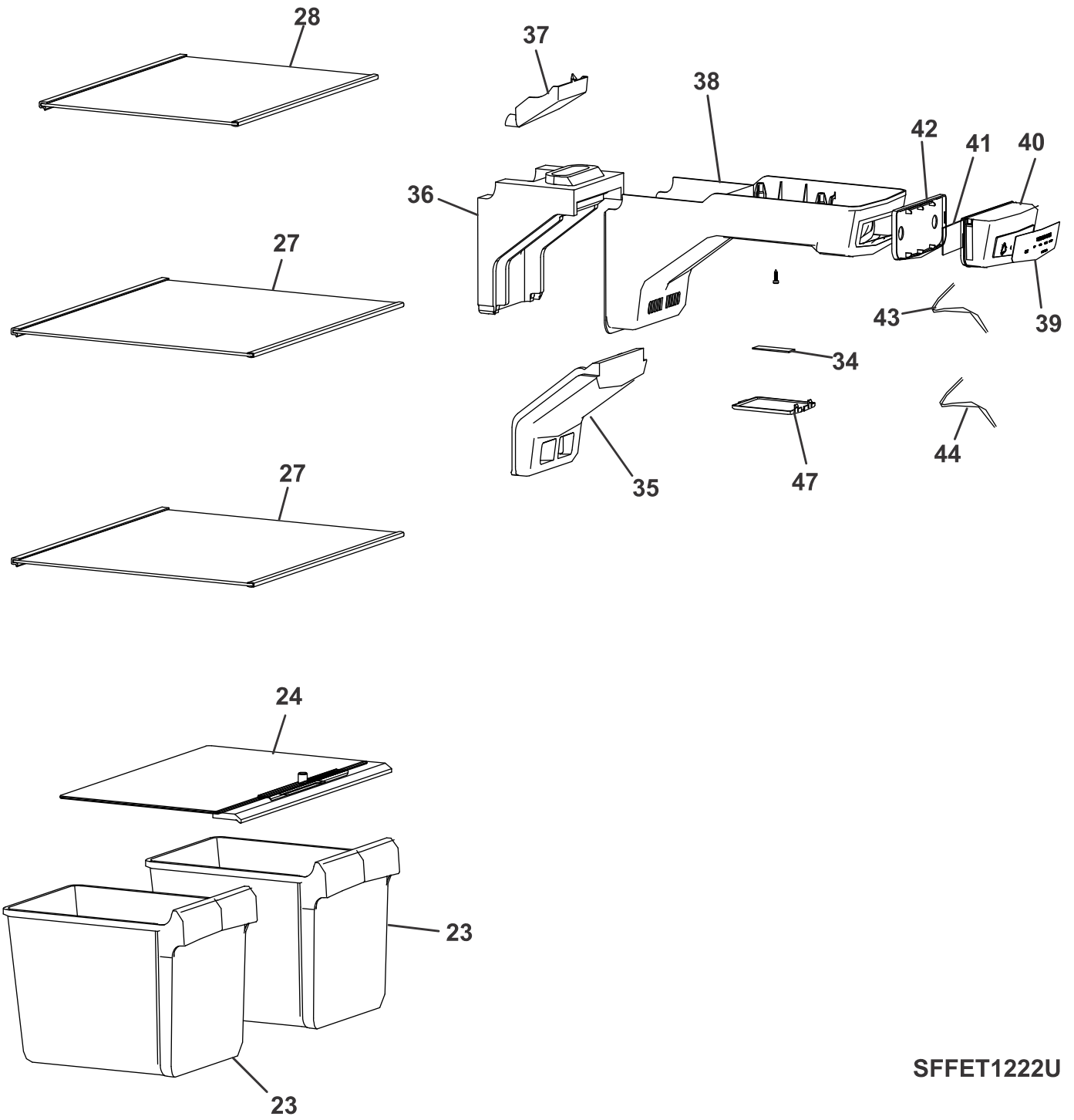
**BFFET1222U**

**CABINET**

*Model Index:* A FFET1222U (FFET1222UB)  
 B FFET1222U (FFET1222UV)  
 C FFET1222U (FFET1222UW)

| POS. NO | PART NO.   |       | DESCRIPTION                              |
|---------|------------|-------|--|
| 1       | 5304518558 | A - - | Cover, hinge holes, black, upper         |
| 1       | 5304518569 | - B - | Cover, hinge holes, gray, upper          |
| 1       | 5304518573 | - - C | Cover, hinge holes, white, upper         |
| 2       | 5304518559 | A - - | Cover, upper hinge, black, RH door swing |
| 2       | 5304518489 | - B - | Cover, upper hinge, gray, RH door swing  |
| 2       | 5304518534 | - - C | Cover, upper hinge, white, RH door swing |
| 4       | 5304518488 | A B C | Door Hinge, upper                        |
| 6       | 5304518560 | A - - | Cover, upper hinge, black, LH door swing |
| 6       | 5304518570 | - B - | Cover, upper hinge, gray, LH door swing  |
| 6       | 5304518574 | - - C | Cover, upper hinge, white, LH door swing |
| 29      | 5304518561 | A B C | Cap, screw                               |
| 33      | 5304518562 | A - - | Foot, cabinet, black                     |
| 33      | 5304518499 | - B - | Foot, cabinet, gray                      |
| 33      | 5304518535 | - - C | Foot, cabinet, white                     |
| 34      | 5304518563 | A - - | Foot, cabinet, black, adjustable         |
| 34      | 5304518500 | - B - | Foot, cabinet, gray, adjustable          |
| 34      | 5304518536 | - - C | Foot, cabinet, white, adjustable         |
| 35      | 5304518498 | A B C | Door Hinge, lower, RH door swing         |
| 36      | 5304518564 | A B C | Door Hinge, lower, LH door swing         |
| 37      | 5304518490 | A B C | Door Hinge, middle                       |
| 49      | 5304518495 | A B C | Baffle, adjustment, fan                  |
| 50      | 5304518497 | A B C | Knob, freezer control                    |
| 51      | 5304518496 | A B C | Cover, coil, front                       |
| 52      | 5304518493 | A B C | Housing, fan, rear                       |
| 53      | 5304518494 | A B C | Insulation, coil cover                   |
| 54 #    | 5304518492 | A B C | Motor Assembly, evaporator fan, w/blade  |
| 55      | 5304518491 | A B C | Cover, fan motor, rear                   |
| 67      | 5304518502 | A B C | Cover, screw                             |

**SHELVES**



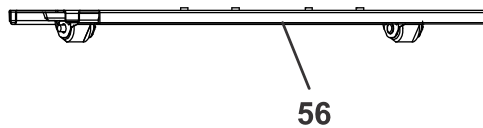
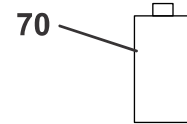
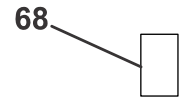
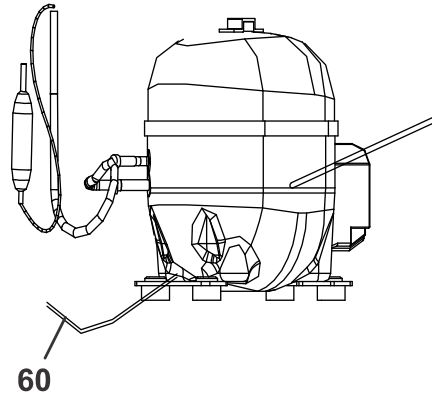
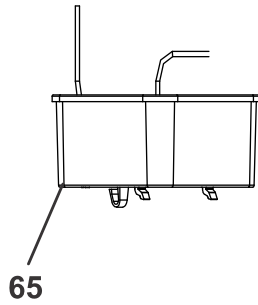
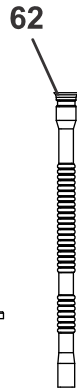
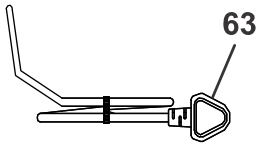
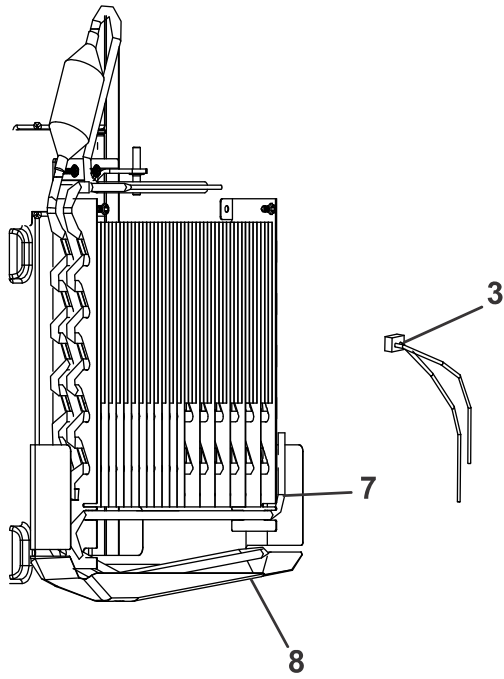
**SFFET1222U**

**SHELVES**

*Model Index:* A FFET1222U (FFET1222UB)  
 B FFET1222U (FFET1222UV)  
 C FFET1222U (FFET1222UW)

| POS. NO | PART NO.   |       | DESCRIPTION                    |
|---------|------------|-------|--------------------------------|
| 23      | 5304518518 | A B C | Drawer, crisper, (2)           |
| 24      | 5304518517 | A B C | Cover, crisper                 |
| 27      | 5304518565 | A B C | Shelf, refrigerator, (2)       |
| 28      | 5304518566 | A B C | Shelf, freezer                 |
| 34 #    | 5304518510 | A B C | Light, LED                     |
| 35      | 5304518505 | A B C | Insulation, control box, lower |
| 36      | 5304518504 | A B C | Insulation, control box, upper |
| 37      | 5304518512 | A B C | Trough, water collector        |
| 38      | 5304518509 | A B C | Housing, control box           |
| 39      | 5304518513 | A B C | Display Panel, control         |
| 40      | 5304518508 | A B C | Cover, control board, front    |
| 41 #    | 5304518507 | A B C | Control Board, electronic      |
| 42      | 5304518506 | A B C | Housing, control board, rear   |
| 43 #    | 5304518514 | A B C | Harness, wiring, low voltage   |
| 44 #    | 5304518515 | A B C | Harness, wiring, high voltage  |
| 47      | 5304518511 | A B C | Cover, light                   |

**SYSTEM**



**CFFET1222U**



---

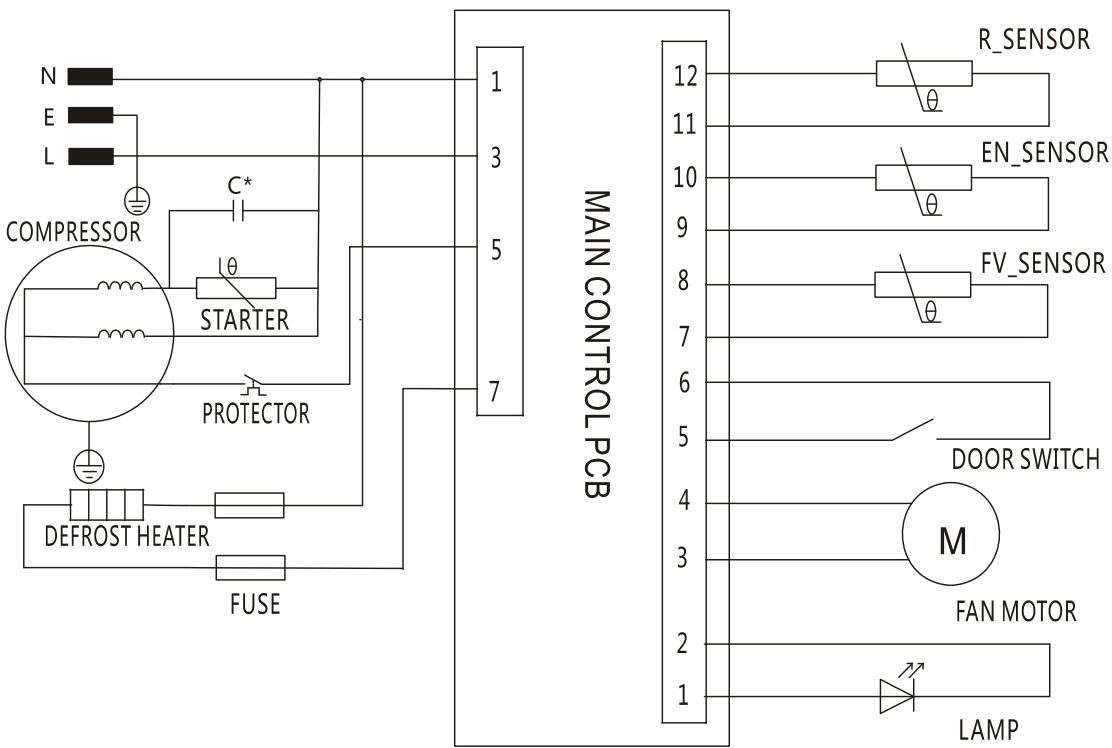
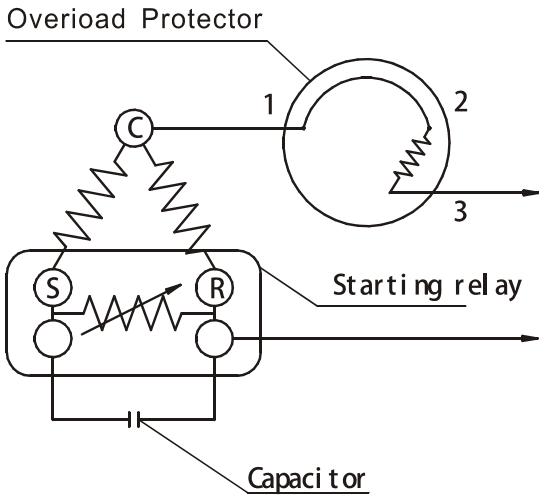
**SYSTEM**


---

*Model Index:*    **A** FFET1222U (FFET1222UB)  
                           **B** FFET1222U (FFET1222UV)  
                           **C** FFET1222U (FFET1222UW)

| POS. NO | PART NO.   |       | DESCRIPTION                 |
|---------|------------|-------|-----------------------------|
| 3 #     | 5304518521 | A B C | Thermostat, defrost         |
| 7 #     | 5304518520 | A B C | Heater, defrost             |
| 8       | 5304518519 | A B C | Drain Trough, evaporator    |
| 56      | 5304518522 | A B C | Base, compressor, support   |
| 60      | 5304518526 | A B C | Wire, grounding, compressor |
| 62      | 5304518525 | A B C | Drain Pipe                  |
| 63 #    | 5304518523 | A B C | Power Cord, electric servic |
| 65      | 5304518524 | A B C | Drain Pan                   |
| 68 #    | 5304518527 | A B C | Protector, compressor       |
| 69 #    | 5304518528 | A B C | Starter, compressor         |
| 70 #    | 5304518529 | A B C | Capacitor, compressor       |

**WIRING DIAGRAM**



C\*:The capacitor is optional according to different compressor model

DLT-84

———— R600a