

# FRIGIDAIRE

PROFESSIONAL®

## FPID2486TF

## DISHWASHER

24" BUILT-IN

Smudge-Proof  
Stainless Steel



### AVAILABLE COLORS



Stainless

### PRODUCT DIMENSIONS

Height (Adjustable)	33-1/2" - 35"
Width	24"
Depth (Including Door)	25"

### MORE EASY-TO-USE FEATURES

**Automatically Adjust Cycles**  
PowerSense™ Technology automatically adjusts the cycle time based on the level of clean that your dishes need for an efficient clean.

**Multiple-Cycle Option**  
Features easy-to-use cleaning cycle options including Rinse Only, Heavy Clean and Upper Rack.

**Cleans 14 Place Settings**  
Clean up to 14 place settings in one cycle.

**Energy Saver Plus Cycle**  
Eco-friendly cycle uses less energy without compromising cleaning performance.

**Quiet**  
Run your dishwasher while you're in the same room. It runs at 52 dBAs.

**Adjust Washing Pressure**  
AquaSurge™ Technology allows you to adjust washing pressure based on your needs.

**Supports the Drying Process**  
Greystone, Polymer Tub supports the drying process, keeping dishes dry the first time.

**Stainless Steel Filtration**  
Removable, self-cleaning stainless steel filter.

**24-Hour Delay Start**  
Set your dishwasher in advance to run on your schedule. It can be set to run 1-24 hours in advance.

### CERTIFICATIONS

ENERGY STAR®



NSF® International  
Certification



<sup>1</sup>Than a traditional spray arm.

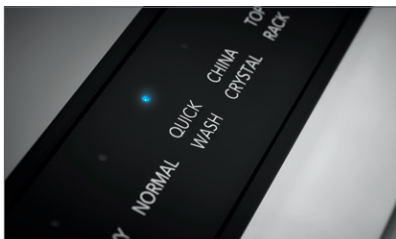
### SIGNATURE FEATURES



**A Complete Clean**  
Clean dishes with the power of OrbitClean® Wash System, which has 4x better wash coverage<sup>1</sup> for a complete clean.



**Excellent Drying Performance**  
There's no need to towel dry with the fan-assisted SaharaDry.™



**Powerful Clean, Fast**  
Get a powerful clean, fast with 34-minute quick wash.



**Cleans Dishes of All Sizes**  
Loading your dishwasher is no longer a puzzle with our SpacePro® Adjustable Rack, which adjusts to fit oversized dishes and kitchen tools of all shapes and sizes.

# FPID2486TF DISHWASHER

24" BUILT-IN

**FRIGIDAIRE**  
PROFESSIONAL

## FEATURES

Control Design	Fully-Integrated Pro-Select®
Digital Display	Yes
Door Latch/Stay-Put Door Hinge Design	Yes/Yes
Low Rinse-Aid Indicator Light	Yes
Interior Design/Interior Color	Tall Tub/Greystone
Wash System	Direct Feed
Wash Arm	OrbitClean®
Wash Levels/Wash Speeds	5/Variable
PowerSense™ Technology	Yes
AquaSurge™ Technology	Yes
Sound Package	
Filter/Filter Trap	S. Steel/Removable
Soft Food Disposer	
dB Level	52
Drying System	SaharaDry™

## CYCLES

Number of Cycles	8
PowerPlus™ (Heavy)	Yes
Normal	Yes
Light	
Quick Wash (34-Min.)	Yes
Favorite	Yes
China Crystal	Yes
Rinse Only	Yes
Energy Saver Plus	Yes
Upper Rack Wash Only	Yes
Cycle Indicator Light/Control Lock	Yes/Yes
Cycle Complete Floor Beam Indicator	

## OPTIONS

Heat/No Heat Dry	Yes
Hi-Temp Wash	Yes
NSF® Certified Sanitize Rinse	Yes
Delay Start	1-24 Hour

## RACK SYSTEM

Rack Design	Deluxe
Rack Coating	Nylon TufRacks™
SpaceWise® Upper Rack -	
Rack Handles	Yes
Delicate-Care™ Soft Grips	
Fold-Down Tines	Yes
Cup Shelves/Stemware Grips	2/Yes
Versa-Tray™	
Adjustable Rack Height	Yes
Lower Rack -	
SpaceWise® Silverware Basket	3-Piece Split
Fold-Down Tines	2 Full Rows
Small Items Cover	
Third-Level Rack (Single Tray)	

## CERTIFICATIONS

ENERGY STAR®	Yes
NSF® International Certification	Yes

## SPECIFICATIONS

Water Inlet Location	Bottom Left
Water Usage (Gallons)	4.0 - 8.0
Water Pressure (PSI)	20 - 120
Integral Air Gap on Supply	Yes
Leveling Legs	Yes
Power Supply Connection Location	Right Bottom Front
Voltage Rating	120V/60Hz/15 Amps
Connected Load (kW Rating)@120 Volts¹	1.44
Amps @ 120 Volts	10
Shipping Weight (Approx.)	83 Lbs.

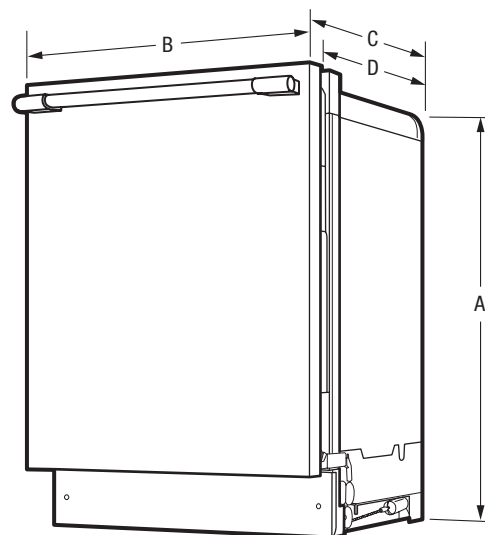
<sup>1</sup>For use on adequately wired 120V, dedicated circuit having 2-wire service with a separate ground wire. Appliance must be grounded for safe operation.

## PRODUCT DIMENSIONS

A - Height (Adjustable)	33-1/2" - 35"
B - Width	24"
C - Depth (Including Door)	25"
D - Depth (To Tub Flange)	22-1/2"
Depth with Door Open 90°	49-1/4"

## CUTOUT DIMENSIONS

Height (Min.)	34-1/4"
Height (Max.)	35-3/4"
Width (Min.)	24"
Depth (Min.)	24"



**FRIGIDAIRE**

USA • 10200 David Taylor Drive • Charlotte, NC 28262 • 1-800-FRIGIDAIRE • frigidaire.com  
CANADA • 5855 Terry Fox Way • Mississauga, ON L5V 3E4 • 1-800-265-8352 • frigidaire.ca

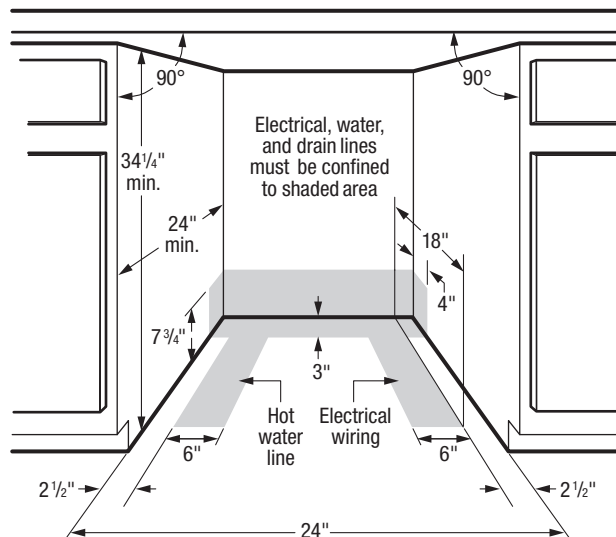
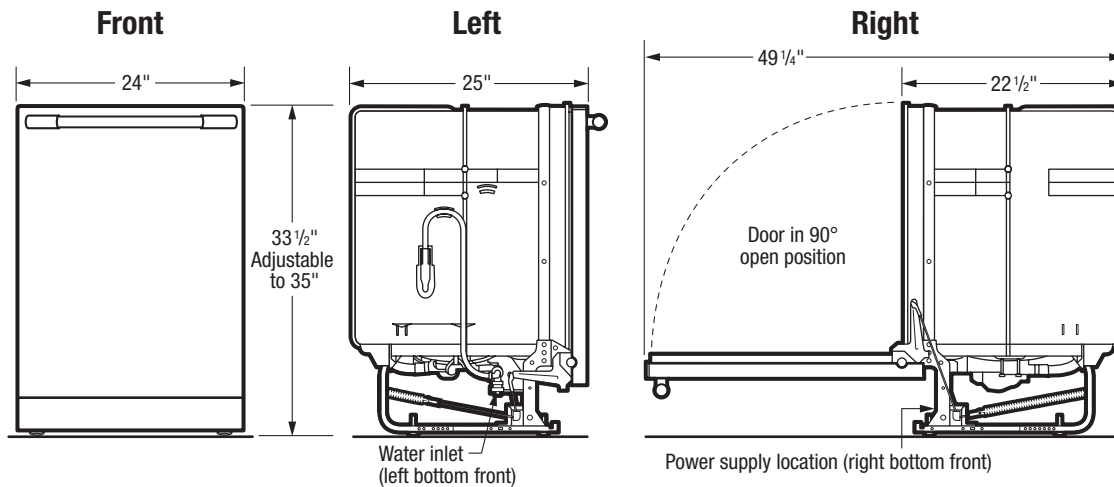


**Note:** For planning purposes only. Always consult local and national electric, gas and plumbing codes. Refer to Product Installation Guide for detailed installation instructions on the web at frigidaire.com.

Specifications subject to change. Accessories information available on the web at frigidaire.com

FPID2486T 09/17

© 2017 Electrolux Home Products, Inc.



## INSTALLATION SPECIFICATIONS

- Product Shipping Weight (approx.) – 83 Lbs.
- Voltage Rating – 120V /60 Hz/15 Amps (*maximum 20 Amps if connected with disposer*)
- Connected Load (kW Rating) @ 120 Volts = 1.44 kW  
(For use on adequately wired 120V, dedicated circuit having 2-wire service with a separate ground wire. Appliance must be grounded for safe operation.)
- Amps @ 120V = 10 Amps
- Always consult local and national electric & plumbing codes. Meets requirements of ASSE 1006 – integral air gap on supply.
- Water Pressure – Hot water line to dishwasher must provide between 20 and 120 pounds per square inch (psi) with at least 120°F hot water temperature.
- Make sure location has correct drain, water and electrical outlets to make connections – MUST be confined to shaded areas.
- Electrical and water supplies should enter cabinet opening on floor, or through back or side walls, as shown in shaded areas.
- If connecting drain hose to sink trap, local code may require installation of Air Gap Kit (*not included*).
- Leveling legs supplied to adjust height.
- When installing adjacent to wall, cabinet or other obstruction that extends beyond front edge of unit, allow 2" minimum clearance between opened door and obstruction.
- Floor should be flat and free of obstructions with carpet removed to provide motor clearance.
- When installing at end of cabinet line, sides and back must be fully enclosed.
- Do not install unit under a cooktop, damage will occur.
- Recommended to seal cabinets, enclosing all sides of dishwasher, including underside of countertop, with oil-based paint or moisture-proof polyurethane to prevent possible steam/moisture damage.



**Note:** For planning purposes only. Always consult local and national electric, gas and plumbing codes. Refer to Product Installation Guide for detailed installation instructions on the web at [frigidaire.com](http://frigidaire.com).

*Specifications subject to change. Accessories information available on the web at [frigidaire.com](http://frigidaire.com)*