

# FRIGIDAIRE

GALLERY.



## Dishwashers

FGID2474Q F/W/B

24" Built-In



### Product Dimensions

Height (Adjustable)	33-7/8" - 34-7/8"
Width	24"
Depth (Including Door)	24-5/8"

### More Easy-To-Use Features

2 Cup Shelves with Stemware Grips

Adjustable Upper Rack

5 Level Wash

Fold-Down Tines

Floor Beam Done Indicator

Fully Integrated Controls

**Smudge-Proof™ Stainless Steel<sup>3</sup>**  
Resists fingerprints and smudges so it's easy to clean.

Stainless Tub

51 dBA

ENERGY STAR®

NSF® International Certification



Available in:



Stainless (F)



White (W)



Black (B)

### Signature Features



#### OrbitClean® Wash System

Exclusive OrbitClean® Spray Arm provides 4 times better water coverage<sup>1</sup> for an excellent clean. And AquaSurge™ Technology adjusts washing pressure based on washing needs.



#### Quick Wash<sup>2</sup> 30-Minute Wash

Washes a full load of dishes in a quarter of the time! Perfect solution for those times when you need clean dishes quickly, but have a million things to do.



#### EffortlessDry™ System

Move your dishes straight to your cabinets with our EffortlessDry™ System. Towel drying becomes a thing of the past.



#### Delicate-Care™ Soft Grips

No more need to hand wash your fragile dishes with our Delicate-Care™ Soft Grips that secure fragile dishes in the dishwasher with a soft rubber grip.

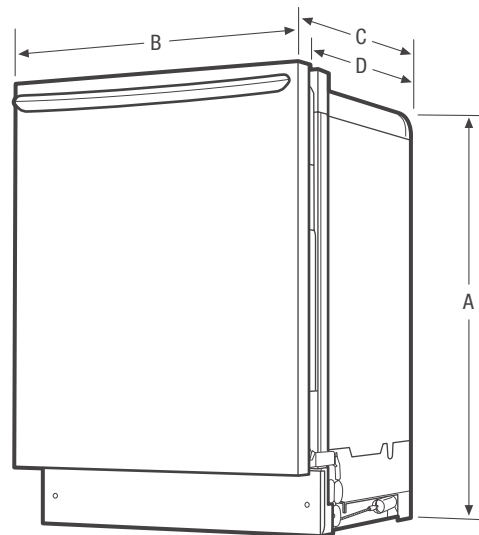
<sup>1</sup> Than a traditional lower spray arm.

<sup>2</sup> 30 or 34 minutes depending on model, based on normal cycle.

<sup>3</sup> Select model only.

Features	
Control Design	Fully-Integrated Express-Select®
Digital Display	Yes
Door Latch/Stay-Put Door Hinge Design	Yes/Yes
Low Rinse-Aid Indicator Light	
Interior Design/Interior Color	Tall Tub/Stainless Steel
Wash System	OrbitClean®
Wash Levels/Wash Speeds	5/5
DishSense™ Technology	Yes
AquaSurge™ Technology	
Sound Package	SilentDesign™
Filter/Filter Trap	S. Steel/Removable
Soft Food Disposer	
dB Level	51
Drying System (Fan Assisted)	EffortlessDry™
Cycles	
Number of Cycles	7
PowerPlus® (Heavy)	Yes
Normal	Yes
Light	
Quick	Yes
Favorite	Yes
China Crystal	Yes
Rinse Only	Yes
Energy Saver Plus	Yes
Upper Rack Wash Only	
Cycle Indicator Light/Control Lock	No/Yes
Options	
Heat/No Heat Dry	Yes
Hi-Temp Wash	Yes
NSF® Certified Sanitize Rinse	Yes
Delay Start	1-24 Hour
Rack System	
Rack Design	Deluxe
Rack Coating	Nylon TufRacks™
Upper Rack -	
Rack Handles	Yes
Stemware/Champagne Glass Holders	Yes
Fold-Down Tines	Yes
Cup Shelves	2
Utensil Tray	
Adjustable Rack Height	Yes
Lower Rack -	
SpaceWise® Silverware Basket	3-Piece Split
Fold-Down Tines	2 Full Rows
Small Items Cover	3
Certifications	
ENERGY STAR®	Yes
NSF® International Certification	Yes
Specifications	
Water Inlet Location	Left Bottom Front
Water Usage (Gallons)	4.0 - 8.0
Water Pressure (PSI)	20 - 120
Integral Air Gap on Supply	Yes
Leveling Legs	4
Power Supply Connection Location	Right Bottom Front
Voltage Rating	120V / 60Hz / 15A
Connected Load (kW Rating) @ 120 Volts <sup>1</sup>	1.44
Amps @ 120 Volts	15
Shipping Weight (Approx.)	91 Lbs.

<sup>1</sup> For use on adequately wired 120V, dedicated circuit having 2-wire service with a separate ground wire. Appliance must be grounded for safe operation.



**NOTE:** For planning purposes only. Always consult local and national electric and plumbing codes. Refer to Product Installation Guide for detailed installation instructions on the web at [frigidare.com](http://frigidare.com).



Product Dimensions	
A - Height (Adjustable)	33-7/8" - 34-7/8"
B - Width	24"
C - Depth (Including Door)	24-5/8"
D - Depth (To Tub Flange)	23"
Depth with Door Open 90°	49-7/8"

Cutout Dimensions	
Height (Min.)	35"
Height (Max.)	35-1/4"
Width (Min.)	24"
Depth (Min.)	24"

Accessories information available on the web at [frigidare.com](http://frigidare.com)

## FRIGIDAIRE

USA • 10200 David Taylor Drive • Charlotte, NC 28262 • 1-800-FRIGIDAIRE • [frigidare.com](http://frigidare.com)  
 CANADA • 5855 Terry Fox Way • Mississauga, ON L5V 3E4 • 1-800-265-8352 • [frigidare.ca](http://frigidare.ca)

FGID2474Q 01/14

© 2014 Electrolux Home Products, Inc.

Specifications subject to change.