

Insert Range Hood, 24"

Series 5 | Integrated

Stainless Steel

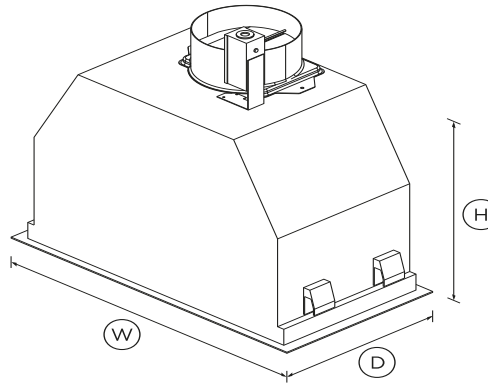


With edge-to-edge extraction, this efficient, stylish range hood is perfectly hidden away in your cabinetry.

- With four fan speeds, select the perfect extraction rate for your cooking
- Perimeter extraction creates a stylish look with efficient removal of steam and odors
- Powerful 600CFM maximum airflow

DIMENSIONS

| | |
|--------|----------------------------------|
| Height | 13 ³ / ₄ " |
| Width | 20 ⁷ / ₈ " |
| Depth | 11 " |



FEATURES & BENEFITS

Quiet and effective

This vent hood features four fan speeds providing powerful extraction to quickly remove odours and steam. As odors can linger in the kitchen well after cooking is finished, the timer keeps the vent hood working for up to 15 minutes before automatically turning off.

SPECIFICATIONS

Accessories

| | |
|------------|--------|
| Light bulb | 791961 |
|------------|--------|

Fan ratings

| | |
|----------------------|--------|
| Maximum air movement | 600CFM |
| Maximum sound rating | 67dBA |
| Speed 3 sound rating | 63dBA |

Installation and cleaning

| | |
|-------------------------|----------------|
| Air outlet size | 6" |
| Dishwasher safe filters | 2 |
| Ducted | Top extraction |

Performance

| | |
|-------------------|-----------|
| Extraction type | Perimeter |
| Fan speeds | 4 |
| Filter type | Mesh |
| Number of filters | 2 |

Power requirements

| | |
|------------------|----------|
| Lighting power | 2 x 50WW |
| Motor power | 530W |
| Supply frequency | 60Hz |
| Supply voltage | 120VV |
| Total Power | 630W |

Product dimensions

| | |
|--------|----------------------------------|
| Depth | 11 " |
| Height | 13 ³ / ₄ " |
| Width | 20 ⁷ / ₈ " |

Product informationControl type **Soft-touch Buttons**

Ventilation featuresLight type **LED 2 x 5.5W**Timer function **.**

WarrantyParts and labor **2 years**

SKU **50085**

Other product downloads available at fisherpaykel.com[User Guide](#)[Installation Guide](#)[Installation Guide](#)[Resources \(zip\)](#)**A PEACE OF MIND SALE****24 Hours 7 Days a Week Customer Support****T 1300 650 590 W www.fisherpaykel.com**

The product dimensions and specifications in this page apply to the specific product and model. Under our policy of continuous improvement, these dimensions and specifications may change at any time. You should therefore check with Fisher & Paykel's Customer Care Centre to ensure this page correctly describes the model currently available. Â© Fisher & Paykel Appliances Ltd 2019.