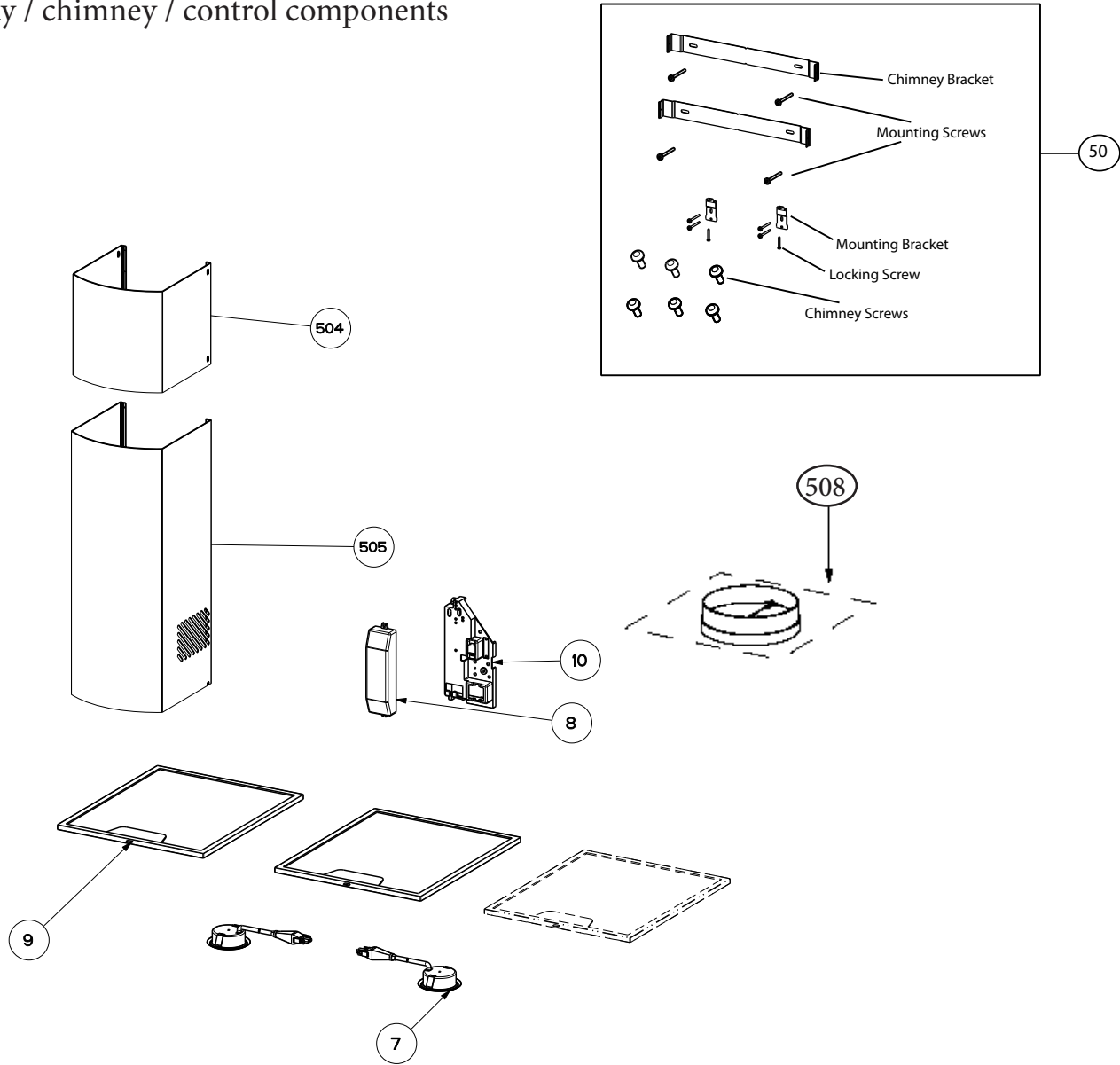


# TENDER 2019 SSV

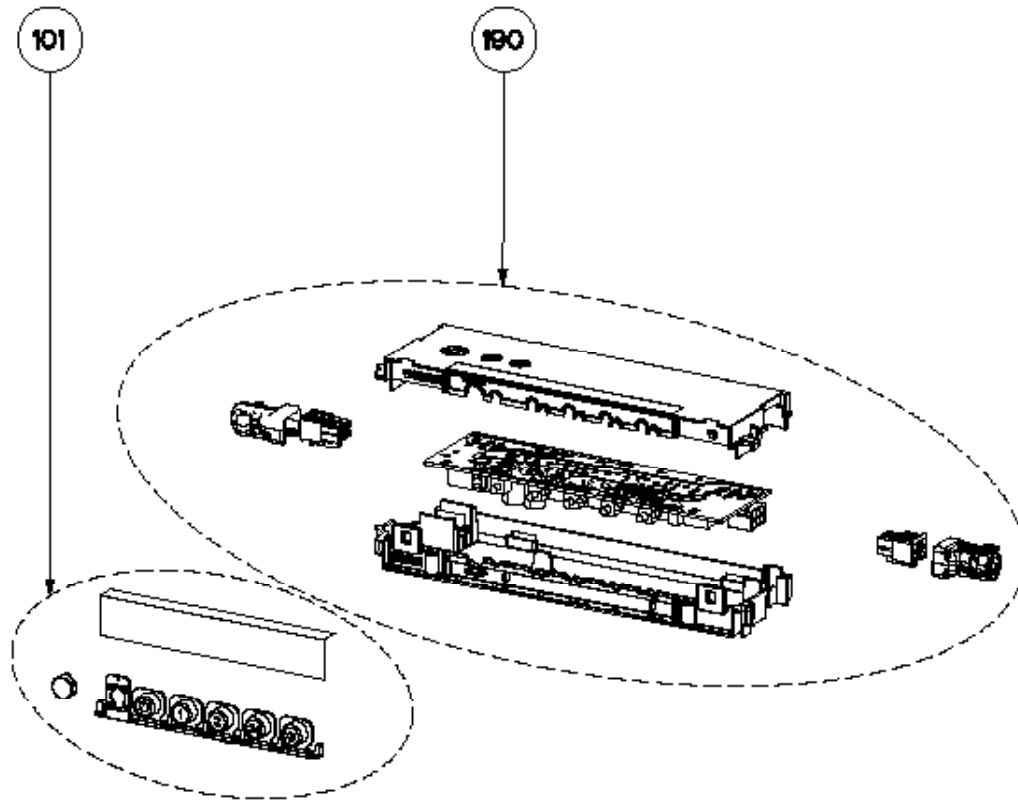
body / chimney / control components



	Model Number	TEND30SSV	TEND36SSV	TEND30BSV	TEND36BSV	
Key	Description	30 Stainless	36 Stainless	30 Black Stainless	36 Black Stainless	Qty Req.
7	LED Lights	133.0289.829	133.0289.829	133.0289.829	133.0289.829	2
9	Grease Filter	133.0017.054	133.0017.054	133.0368.125	133.0368.125	2 (30"), 3 (36")
8	Transformer	133.0374.938	133.0374.938	133.0374.938	133.0374.938	1
10	Transformer Support	133.0182.439	133.0182.439	133.0182.439	133.0182.439	1
50	Chimney Brackets	133.0084.480	133.0084.480	133.0084.480	133.0084.480	1
504	Upper Chimney	133.0067.516	133.0067.516	133.0577.796	133.0577.796	1
505	Lower Chimney	133.0192.179	133.0192.179	133.0577.799	133.0577.799	1
508	Damper	133.0055.994	133.0055.994	133.0055.994	133.0055.994	1

# TENDER 2019 SSV

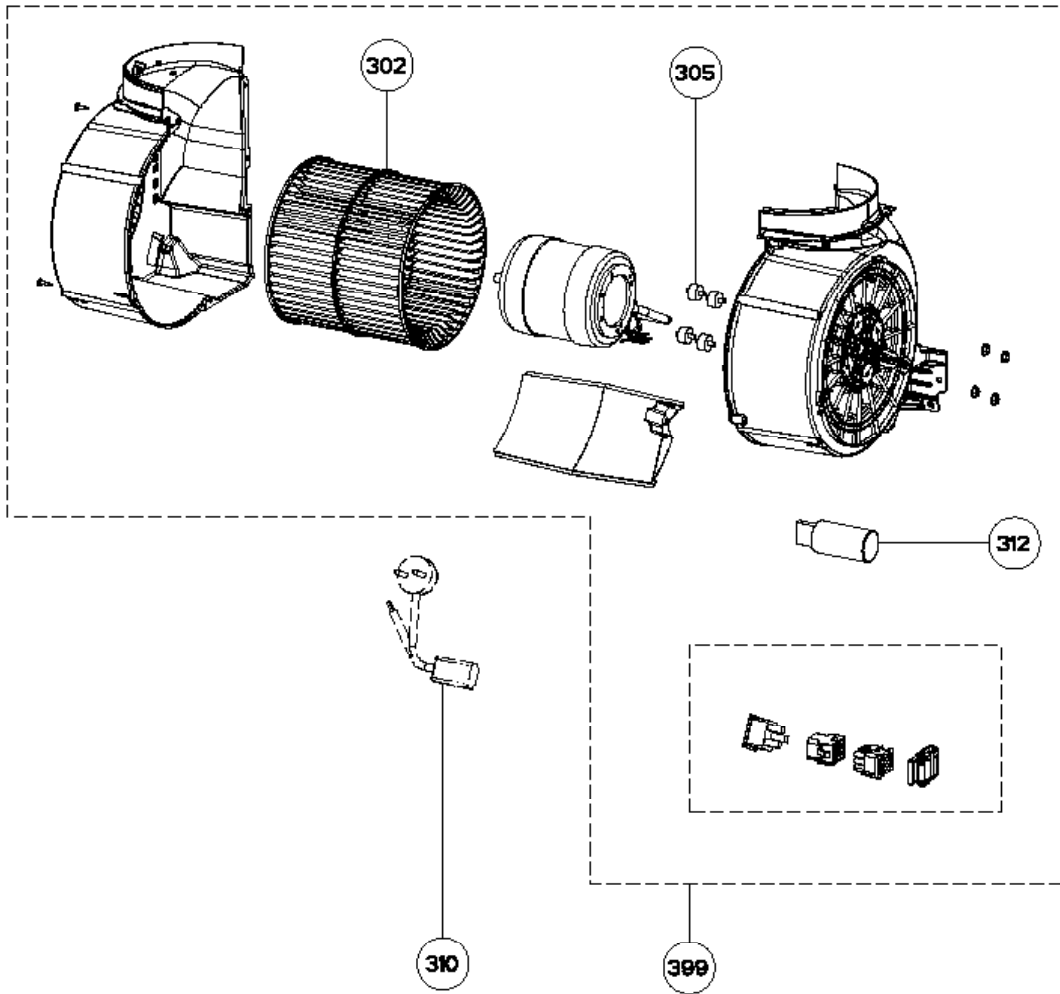
## control components



	Model Number	TEND30SSV	TEND36SSV	TEND30BSV	TEND36BSV	
Key	Description	30 Stainless	36 Stainless	30 Black Stainless	36 Black Stainless	Qty Req.
101	Button Kit	133.0380.478	133.0380.478	133.0568.387	133.0568.387	1
190	Control Board Kit	133.0524.811	133.0524.811	133.0524.811	133.0524.811	1

# TENDER 2019 SSV

## motor components



	Model Number	TEND30SSV	TEND36SSV	TEND30BSV	TEND36BSV	
Key	Description	30 Stainless	36 Stainless	30 Black Stainless	36 Black Stainless	Qty Req.
302	Impeller 600 cfm	133.0052.799	133.0052.799	133.0052.799	133.0052.799	1
305	Rubber Motor Mount	133.0051.604	133.0051.604	133.0051.604	133.0051.604	1
310	Power cord	133.0381.468	133.0381.468	133.0381.468	133.0381.468	1
312	Capacitor 25 mf	133.0060.648	133.0060.648	133.0060.648	133.0060.648	1
399	Motor Group 600 cfm	133.0554.637	133.0554.637	133.0554.637	133.0554.637	1