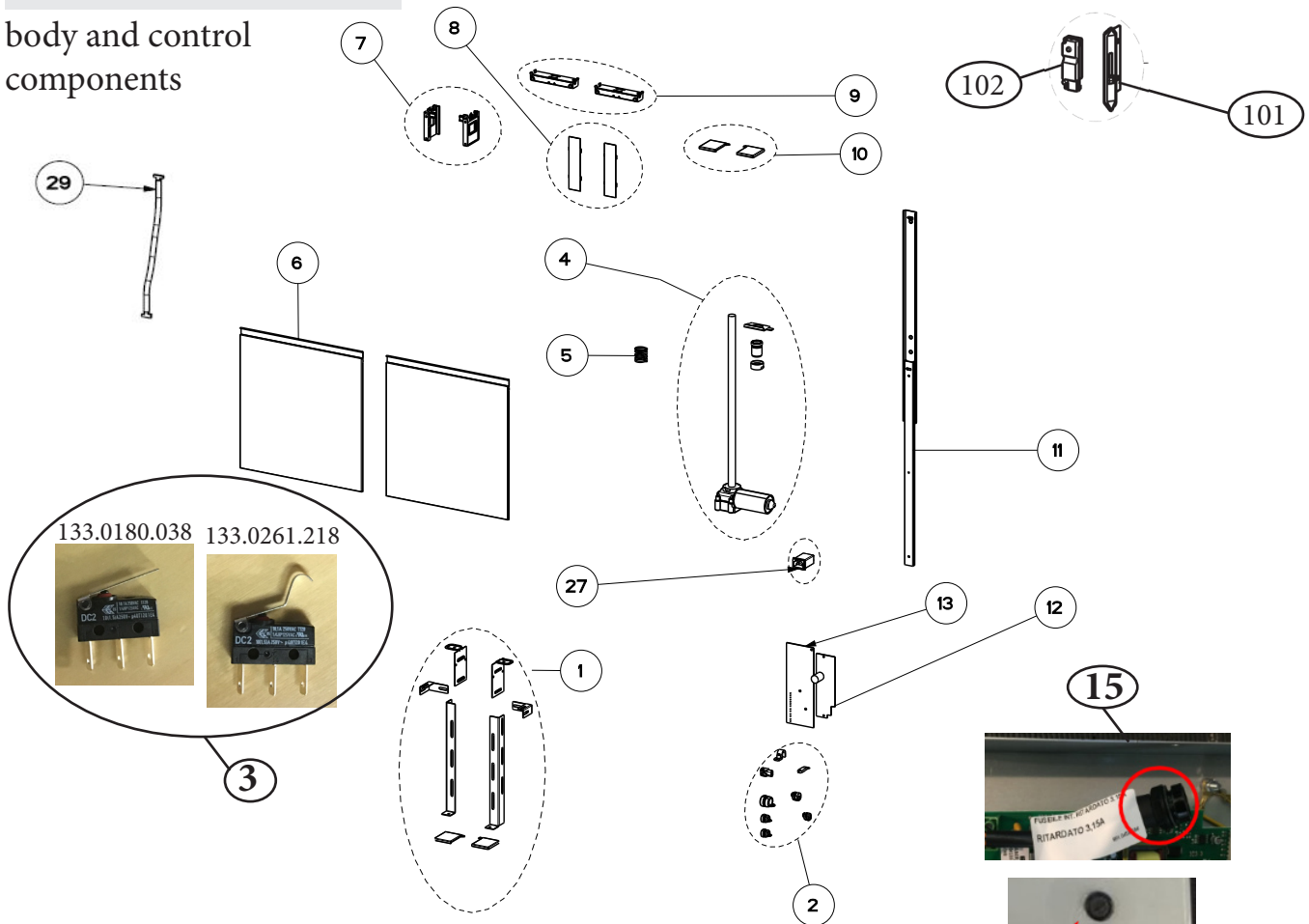


# SCIROCCO PLUS 2017

body and control components

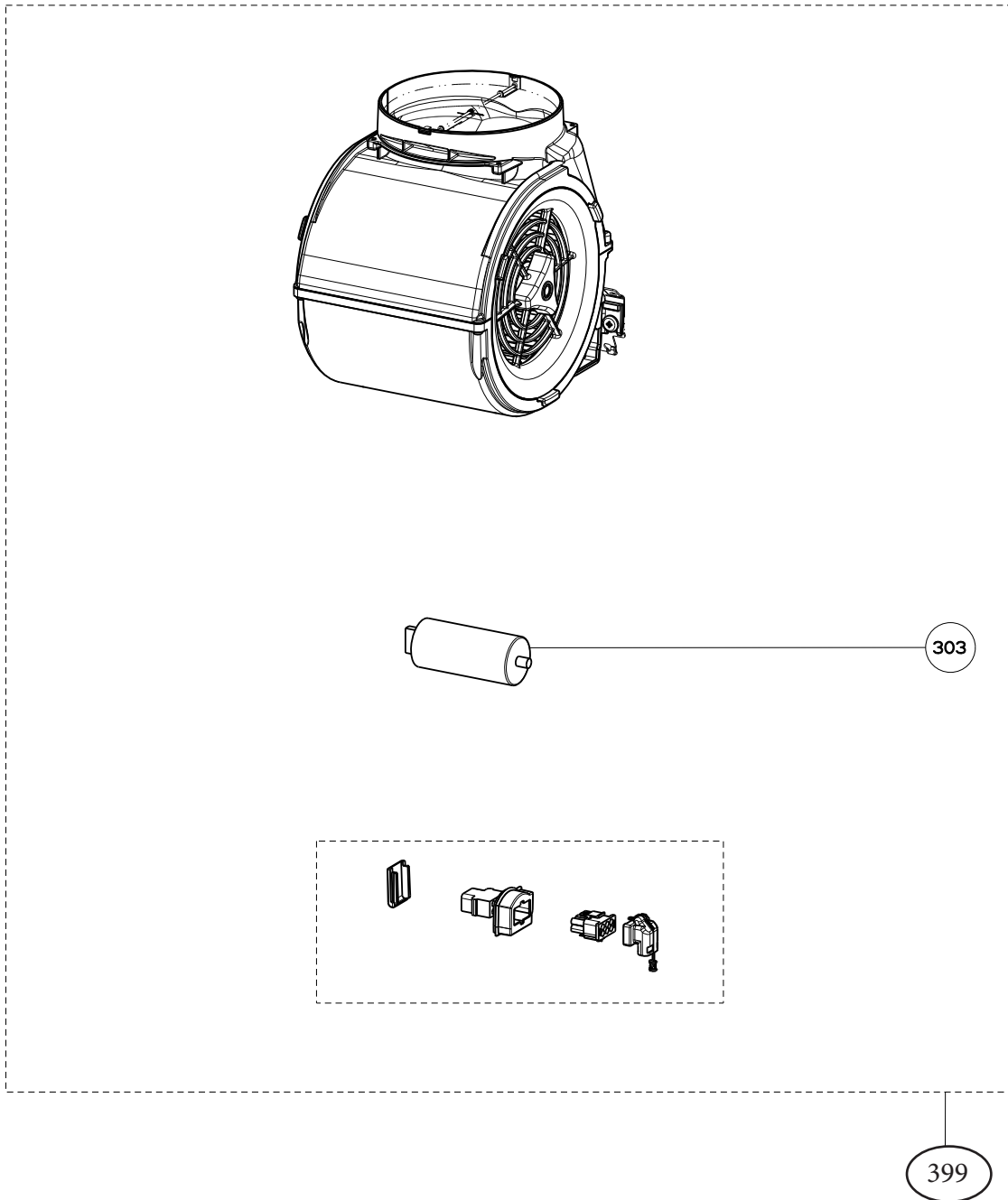


Key	Description	SCIR3014SSNB-B 30 Internal	SCIR3614SSNB-B 36 Internal	Qty Req.
1	Installation Kit	133.0169.427	133.0169.427	1
2	Cable Clamp Kit	133.0052.180	133.0052.180	1
3	Curved Plenum Arm Microswitch	133.0261.218	133.0261.218	2
3	Flat Plenum Arm Microswitch	133.0180.038	133.0180.038	1
4	Plenum Rise Drive Motor	133.0171.355	133.0171.355	1
5	Spring	133.0171.945	133.0171.945	1
6	Grease Filter	133.0262.535	133.0262.686	2
7	Sliding Guide Support Kit	133.0052.183	133.0052.183	1
8	Plate	133.0057.271	133.0057.271	1
9	Microswitch Kit (For units with serial codes starting with 7 or 8 or 901 only)	133.0052.191	133.0052.191	1
10	Trim Support Kit	133.0169.428	133.0169.428	1
11	Plenum Sliding Guide	133.0169.429	133.0169.429	1
12	Gear Motor Board	133.0359.745	133.0359.745	1
13	Control Board (For units with serial codes starting with 7 or 8 or 901 only)	133.0442.132	133.0442.132	1
13	Control Board (Units with serial code starting <b>with 902 or greater</b> )	133.0557.514	133.0557.514	1
14	Fuse Kit Plenum Drive Motor	133.0458.664	133.0458.664	1
15	Fuse Kit Gear Motor Board	133.0458.668	133.0458.668	1
27	Control Board Filter Connector	133.0151.239	133.0151.239	1
29	Ribbon Cable	133.0076.309	133.0076.309	
101	Control Buttons	133.0442.134	133.0442.134	1
102	Up / Down Control Kit	133.0442.136	133.0442.136	1



# SCIROCCO PLUS 2017

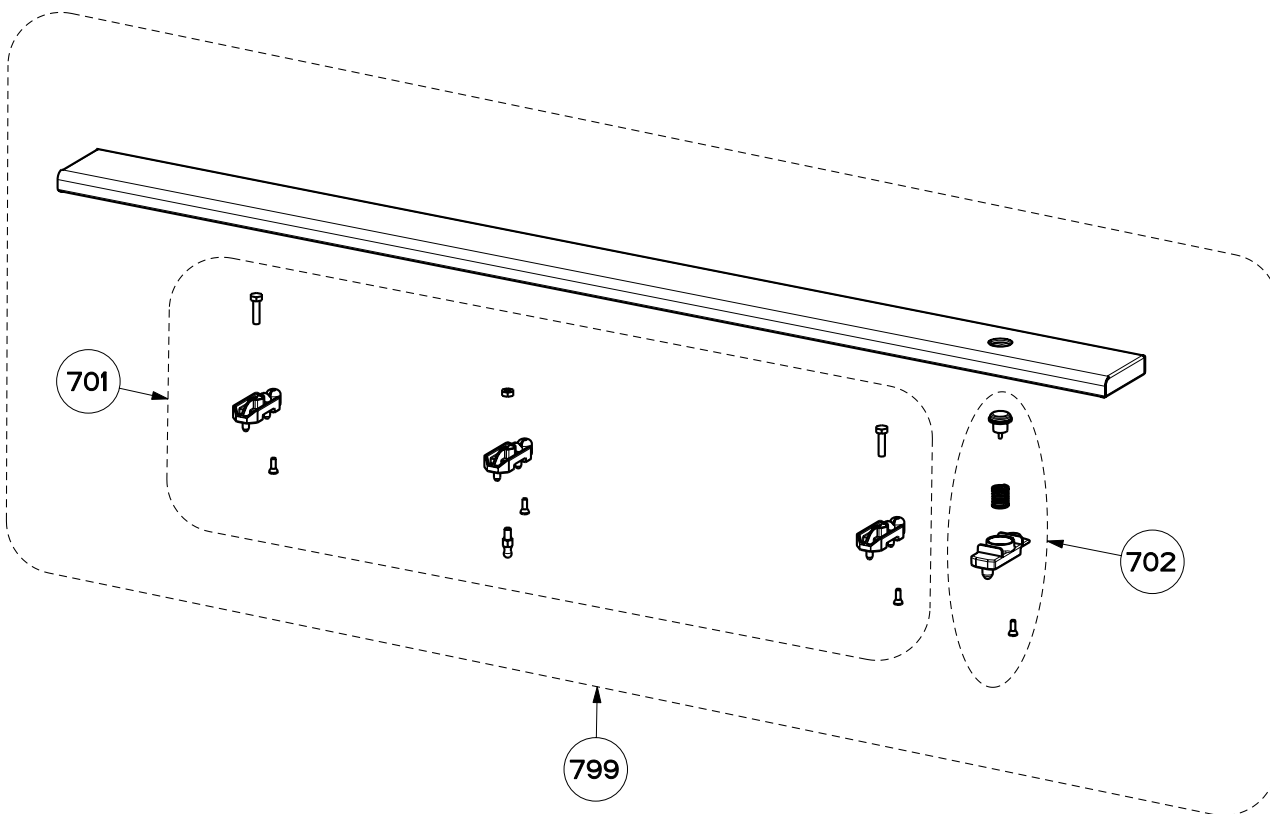
motor components for IBDD600-B



		SCIR3014SSNB-B	SCIR3614SSNB-B	
Key	Description	30 Internal	36 Internal	Qty Req.
303	Capacitor (IBDD600-B)	133.0072.893	133.0072.893	1
399	Motor Group (IBDD600-B)	133.0174.148	133.0174.148	1
402	Damper	133.0055.994	133.0055.994	1

# SCIROCCO PLUS 2017

## Stainless Top Strip Trim



		SCIR3014SSNB-B	SCIR3614SSNB-B	
Key	Description	30 Internal	36 Internal	Qty Req.
701	Top Strip Connection Kit	133.0171.947	133.0171.947	1
702	Button Kit	133.0052.188	133.0052.188	1
799	Stainless Top Strip Kit	133.0262.683	133.0262.685	1