

14" TALL RISING DOWN DRAFT WITH ADVANCED FEATURES. THE SCIROCCO PLUS DOWN DRAFT IS PERFECT FOR ISLAND INSTALLATIONS, WHERE AN OVERHEAD CANOPY WOULD BE OBSTRUCTIVE, OR WALL INSTALLATIONS WHERE CABINET SPACE IS AT A PREMIUM.



AVAILABLE MODELS

model #	size / color	cfm*
SCIR3014SSNB-B	30 Stainless Steel	choose
SCIR3614SSNB-B	36 Stainless Steel	choose

* choose a blower	cfm	sones
IBDD600-B	600	1.5 - 6.5
RB900	900	
RB1200	1200	
AXP250	735	

KEY FEATURES



Pro Motor

The motor in this hood is surrounded in metal with all metal impellers for top performance



Reversible Motor

The motor can be mounted in the front or behind any cooking surface or range.



Fully Integrates with the Counter top

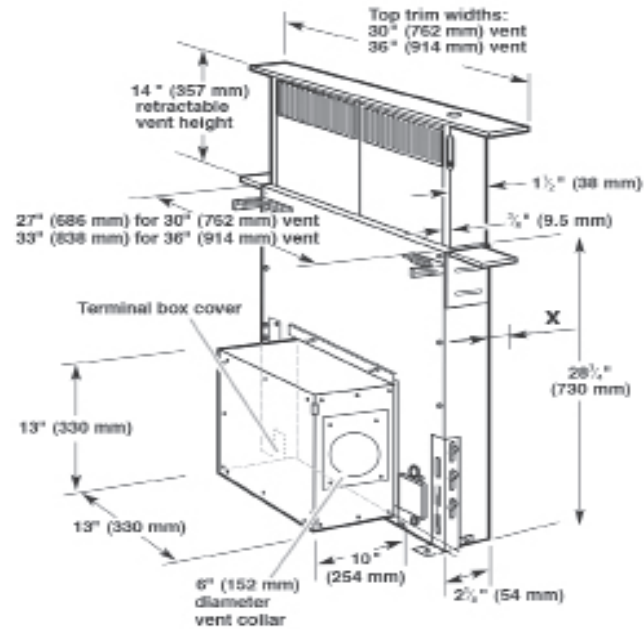
In the down position the Scirocco Plus is unobstrusive in your kitchen.

SCIROCCO PLUS DOWN DRAFT RANGE HOOD

SPECIFICATIONS

DIMENSIONS

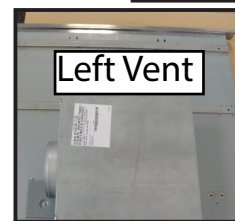
max rise height	14"
multiple ducting options	internal: left, right, down, forward, back remote - forward or back
reversible motor box	yes
hood width depth (36")	30"- 36" w 2 1/8" d
controls	slide speed control dial with on/off button
ducting front/back	6" round (internal) or 10" round (remote)
grease filters	stainless mesh
no brand logo on stainless top strip	yes
Pro Motor (metal impellers)	yes
auto shut off	yes
innovative safety features	yes - Top strip stops if an object obstructs its path
power cord included	yes
AC power	120 V - 60hz/Max 450 W at 3.8 A



PERFORMANCE

SPEED	1	2	3
CFM	190	330	480
Sones	2.5	4	7

Overall



Venting Options

WARNING! Product specifications are subject to change without notification. Consult the installation instructions before you begin installing this range hood. * Check local make up air codes for guidelines.

ACCESSORIES

FILTERSCIR- Replacement Charcoal Filter Kit

High quality charcoal filter for use when recirculating the air back into the kitchen. Filters out odor and should be replaced every 6 months.

DUCTSCIR Ductless Conversion Kit

Converts the Scirocco Plus to ductless. The kit includes charcoal filters and a kick plate return register to vent back into the kitchen.

MUDAMPER6 / MUDAMPER8/MUDAMPER10 - Universal Make-Up Air Damper

Satisfies make-up air requirements, this kit uses an air switch to activate the make-up air damper to open and bring fresh air into the home when the hood fan is on. It then closes tightly when the hood is off. The CFM level is not reduced with this accessory. NOTE: MUDAMPER10 for use with 900/1200 cfm motors.

FLANGE10 10" Plate for Remote Blower

A 10" plate for connecting the remote blower to 10" round ducting. This is required for AXP250 & non-Faber remote blowers.

