

THE NEW AND IMPROVED INCA SMART. The Inca Smart power pack is perfect for the homeowner who wants a built in range hood that fits into most cabinets and most budgets. Now with a more modern look the Inca Smart Gray includes push button LED lighting and a power cord.



**NEW LOOK DESIGN
WITH LED LIGHTS!**

AVAILABLE MODELS

Model #	Size / Color	Motor Class (CFM)	Sound Levels (sones)
INSM21GR240	21 Gray	240 CFM	0.8 - 3.5
INSM28GR240	28 Gray	240 CFM	0.8 - 3.5

KEY FEATURES



New Slide and Push Control

Easy to use 3 speed slide control and a push button for lighting.



NEW LED LIGHTING

4 (W) bulbs offers a 1 level long lasting LED light for your cooking surface.



Easy Snap Mounting Clips

Installation made easy with built-in adjustable clips that tighten onto the sides of the cabinet floor

INCA SMART GRAY

INSERT RANGE HOOD

FABER

AIR MATTERS

DIMENSIONS

SPECIFICATIONS

cut out dimensions 21"	19 9/16" w x 10 1/4" d
cut out dimensions 28"	26 5/8" w x 10 1/4" d
body width depth	20 9/16" (21") 27 9/16" (28") w X 11 1/4" d
height inside cabinet	7 1/16"
convertible to ductless	yes - FILTER4
controls	3 speed slider
lighting	2 X 4 (w) LED - 1 Level
ducting top	5" round
grease filters	dishwasher safe mesh
built in mounting hardware	yes - easy snap mounting clips
power cord included	yes

PERFORMANCE

	SPEED		
	1	2	3
CFM	85	160	240
Sones	0.8	1.8	3.5

ACCESSORIES

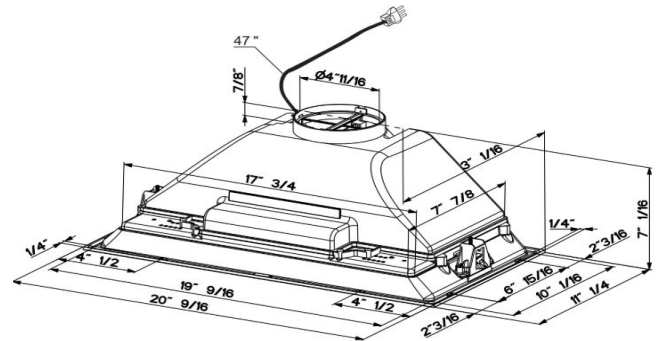
FILTER4 - Charcoal Filter Kit

High quality charcoal filter for use when recirculating the air back into the kitchen. Filters out odor and should be replaced every 6 months. Some ductwork is required to exhaust the unit out of the cabinet.

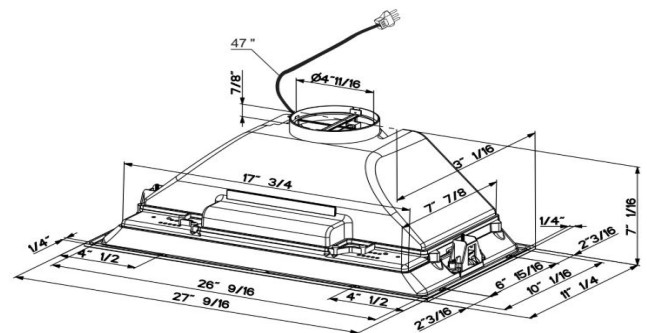
LINE30ST / LINE36ST - Stainless Steel Liner 30 & 36" Create a perfectly sealed, non-combustible 4" tall perimeter to "line" the wood below the Inca Smart. Depth adjustable from 16" - 17 7/8". **SEE PAGE 3 FOR MORE INFO, USE WITH 28GR240**

LINE24ST - Stainless Steel Liner 24" Create a perfectly sealed, non-combustible 4" tall perimeter to "line" the wood below the Inca Smart. Depth adjustable from 16" - 17 7/8". **SEE PAGE 3 FOR MORE INFO, USE WITH 21GR240**

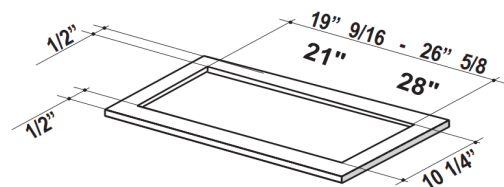
INSM21GR240



INSM28GR240



CUT OUT



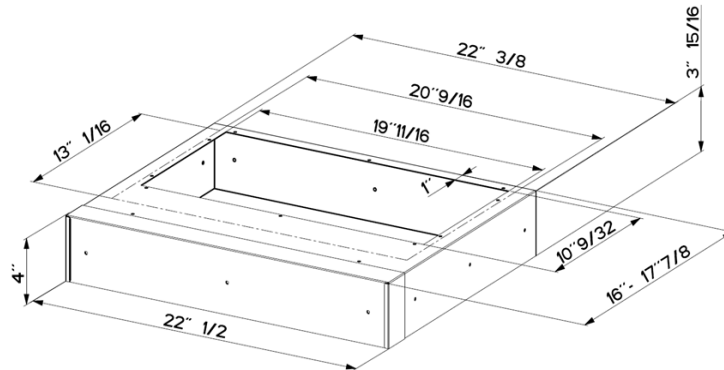
WARNING! Product specifications are subject to change without notification. Consult the installation instructions before you begin installing this range hood. * Check local make up air codes for guidelines.



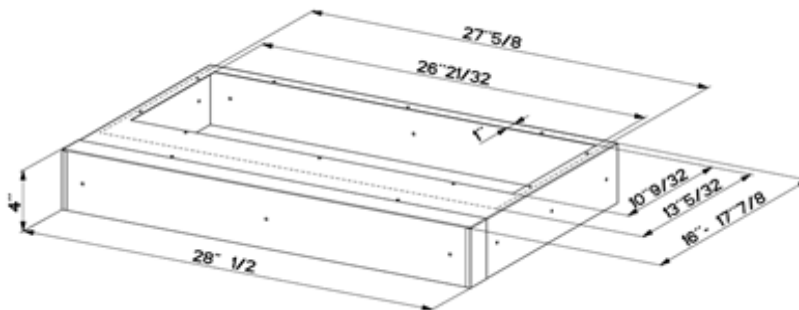
LINER SPECIFICATIONS

Liners are stainless steel kits that are optional for cabinet insert hoods. They create a metal 4" tall perimeter to "line" the wood below the range hood with metal. They create a more finished look and move the range hood up 4" creating additional capture area. In some cases, a liner may be required by local code if the cabinet starts at below 30" off the stove (check local building codes). All liners are adjustable in depth with a telescoping frame.

LINE24ST - USE WITH INSM21 ONLY FOR 24" WIDE CABINETS



LINE30ST - USE WITH INSM28 ONLY FOR 30" WIDE CABINETS



LINE36ST - USE WITH INSM28 ONLY FOR 36" WIDE CABINETS

