

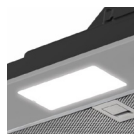
INCA SMART GRAY 2020 (SERIALS# STARTS A)

Body components

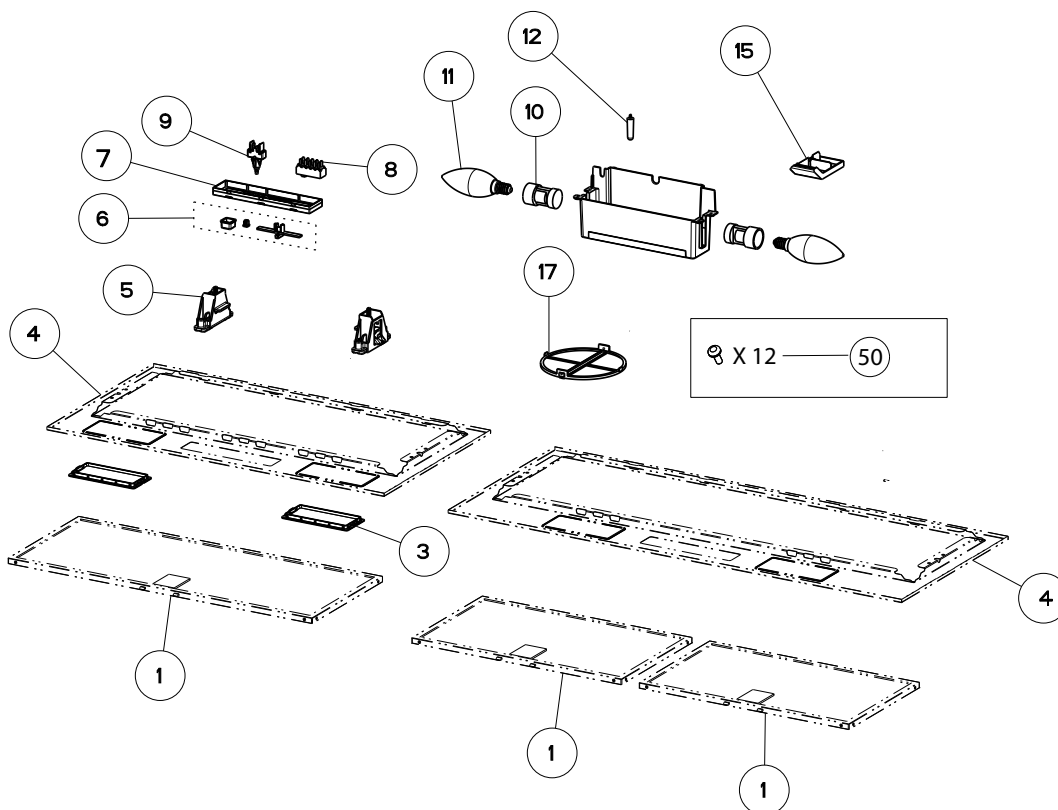
Look for the following identifiers:



Slider



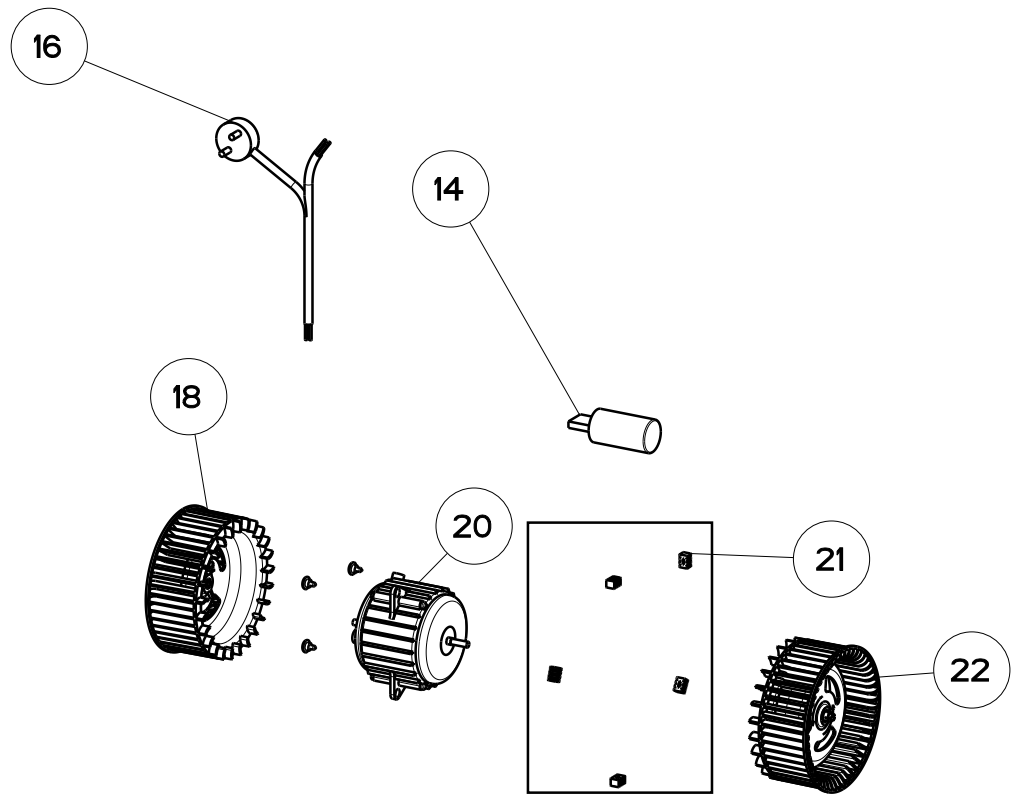
Rectangular Lamp Cover



	Model Number	INSM21GR240	INSM28GR240	
Key	Description	21 Gray	28 Gray	Qty Req.
1	Grease filter	133.0599.405	133.0599.442	21" (1) 28" (2)
3	Lamp Cover Rectangular	133.0599.410	133.0599.410	2
4	Filter Support	133.0599.409	133.0599.443	1
5	Mounting Bracket	133.0064.079	133.0064.079	1
6	Control Button Kit Square	133.0599.621	133.0599.621	1
7	Control Panel Cover	133.0599.599	133.0599.599	1
8	Switch	133.0054.540	133.0054.540	1
9	Switch Light ON/OFF Button	133.0599.627	133.0599.627	1
10	Lamp Holder	133.0065.761	133.0065.761	2
11	Lamp LED E12	133.0601.333	133.0601.333	2
12	Indicator Light	133.0065.760	133.0065.760	1
15	Terminal Block Cover	133.0064.529	133.0064.529	1
17	Damper	133.0056.177	133.0056.177	1
50	Mounting Kit Screws Inca	133.0084.481	133.0084.481	1

INCA SMART GRAY 2020 (SERIALS# STARTS A)

Motor components



	Model Number	INSM21GR240	INSM28GR240	
Key	Description	21 Gray	28 Gray	Qty Req.
14	Capacitor 11 MF	133.0068.611	133.0068.611	1
16	Power Cable	133.0492.050	133.0492.050	1
18	Left Impeller (SX)	133.0060.909	133.0060.909	1
20	Motor	133.0184.469	133.0184.469	1
21	Rubber Motor Mounts (5 in a kit)	133.0016.966	133.0016.966	1
22	Right Impeller (DX)	133.0060.910	133.0060.910	1