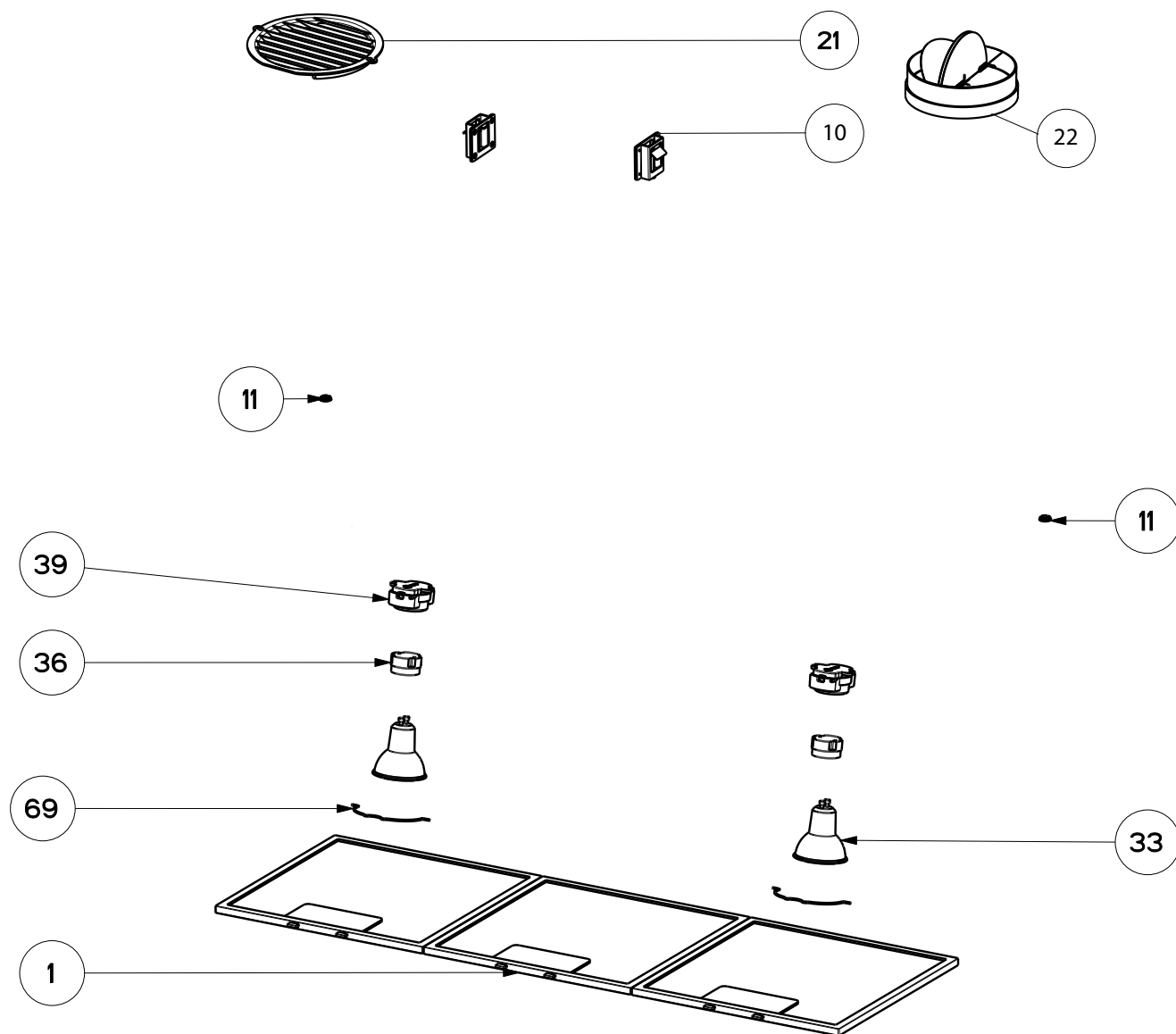


INCA HC 2019 SSV

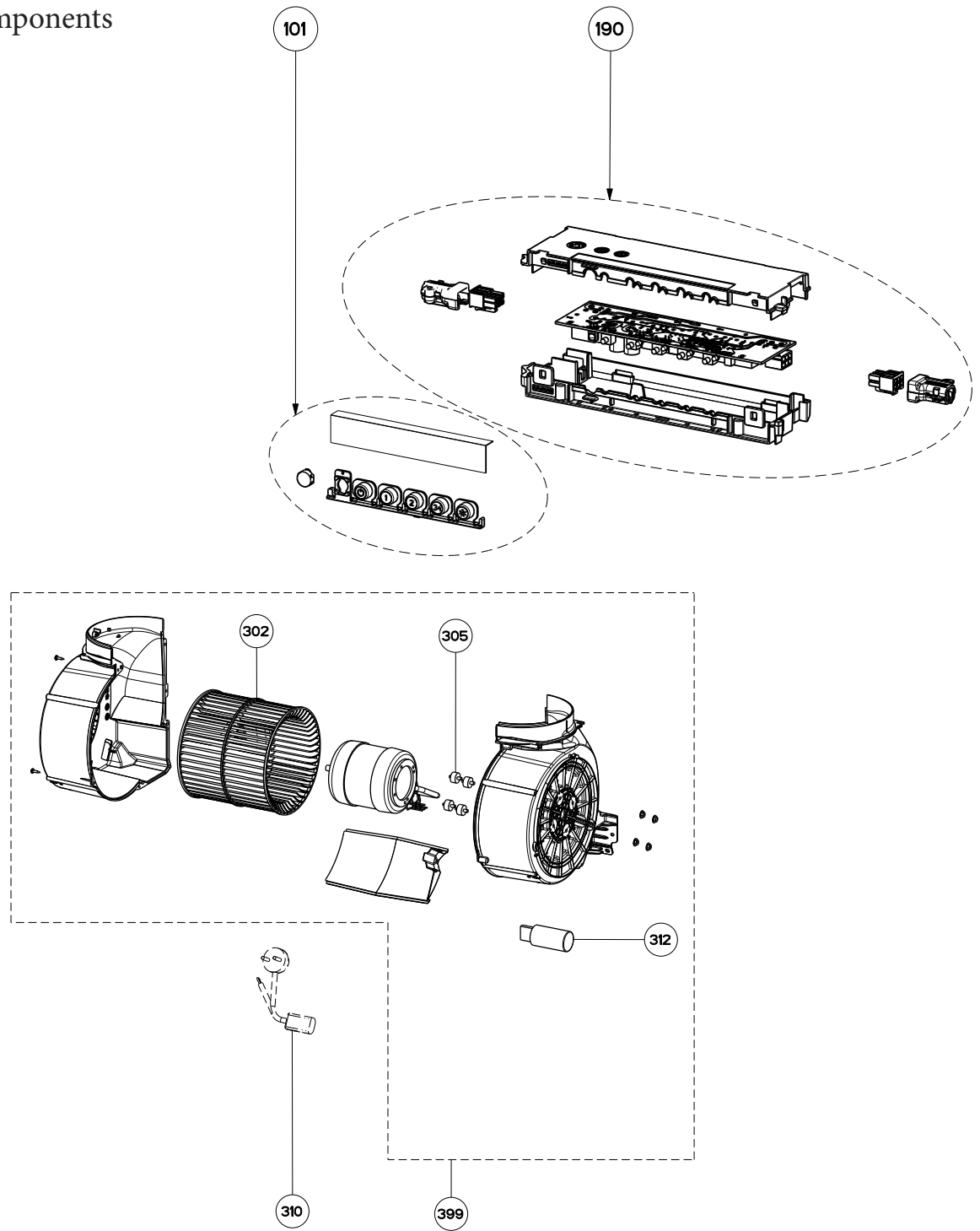
body components



| | Model Number | INHC29SSV | INHC35SSV | |
|-----|---------------------------|--------------|--------------|----------|
| Key | Description | 29 Stainless | 35 Stainless | Qty Req. |
| 1 | Grease Filters | 133.0189.437 | 133.0189.437 | 3 |
| 10 | Hinge Clip Kit (2 in kit) | 133.0078.993 | 133.0078.993 | 1 |
| 11 | Rubber Stopper | 133.0017.608 | 133.0017.608 | 1 |
| 21 | Vent Grate | 133.0016.964 | 133.0016.964 | 1 |
| 22 | Damper | 133.0055.994 | 133.0055.994 | 1 |
| 33 | LED Bulb | 133.0486.867 | 133.0486.867 | 2 |
| 36 | Lamp Holder | 133.0380.507 | 133.0380.507 | 1 |
| 39 | Lamp holder Support | 133.0198.226 | 133.0198.226 | 2 |
| 69 | Bulb Clip | 133.0200.447 | 133.0200.447 | 1 |

INCA HC 2019 SSV

switch / motor components



| Key | Model Number | INHC29SSV | INHC35SSV | |
|-----|--------------------|--------------|--------------|----------|
| Key | Description | 29 Stainless | 29 Stainless | Qty Req. |
| 101 | Control Button Kit | 133.0380.478 | 133.0380.478 | 1 |
| 190 | Control Board Kit | 133.0524.811 | 133.0524.811 | 1 |
| 302 | Impeller Kit | 133.0052.799 | 133.0052.799 | 1 |
| 305 | Rubber Motor Mount | 133.0051.604 | 133.0051.604 | 1 |
| 310 | Power Cord | 133.0381.468 | 133.0381.468 | 1 |
| 312 | 25 MF Capacitor | 133.0060.648 | 133.0060.648 | 1 |
| 399 | Motor Kit SSV | 133.0554.637 | 133.0554.637 | 1 |