

CYLINDRA ISOLA 2020 (Serial # Starts A)

Look for the following identifiers:

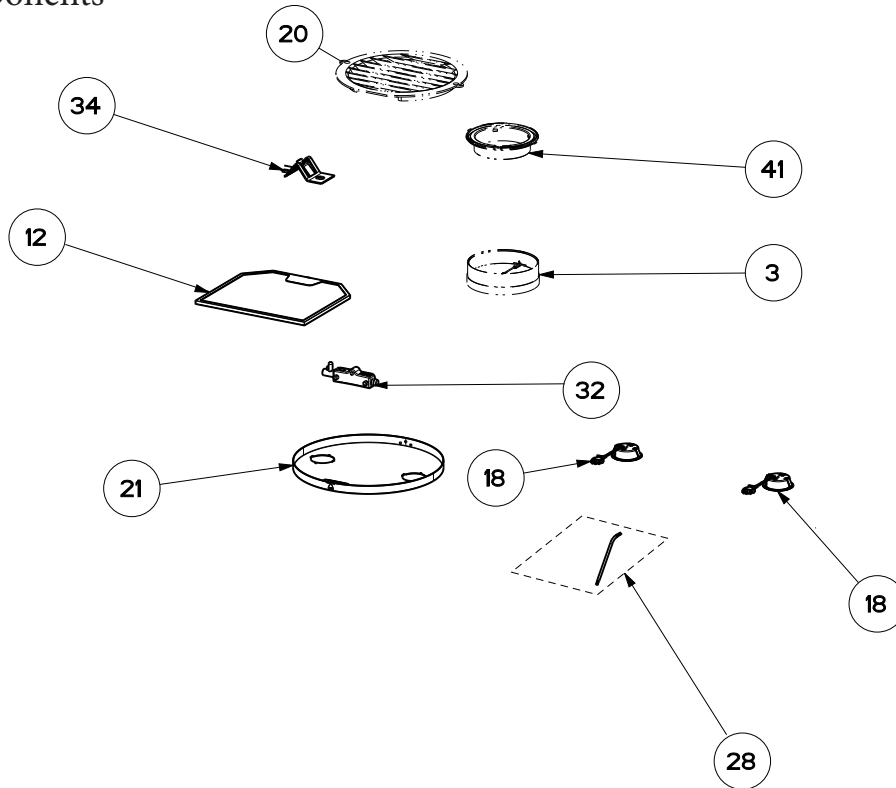


**Vertical Controls
Rectangular Buttons**



**LED Lights with Smooth
Stainless Perimeter Panel**

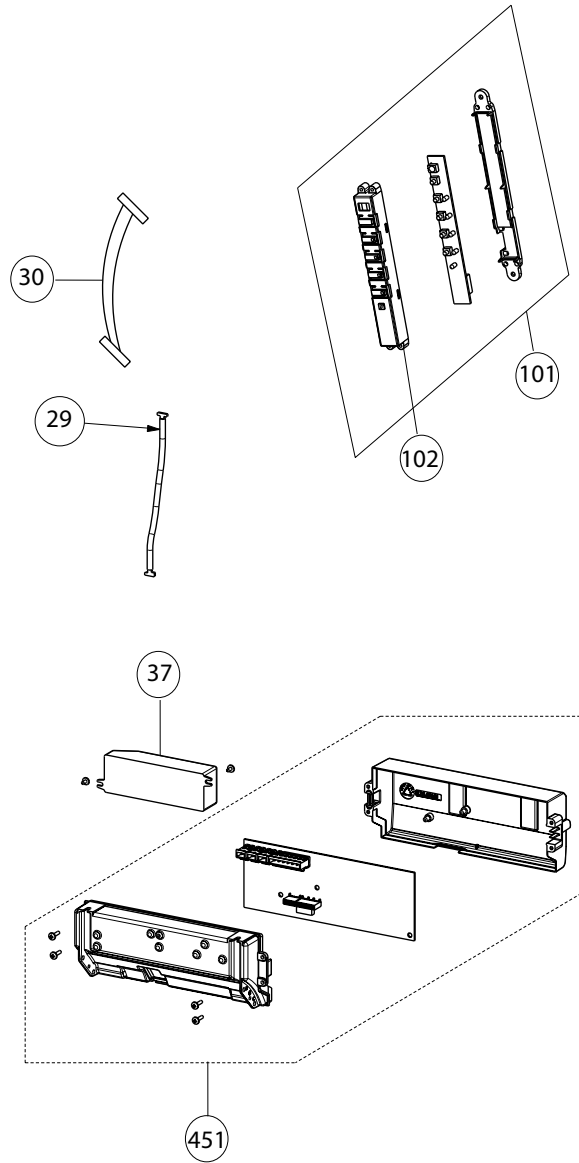
body components



Key	Model Number	CYLNIS15SS600	Qty Req.
3	Description	SS	
3	Damper	133.0055.994	1
12	Grease Filter	133.0185.065	1
18	LED Spotlight 3000K	133.0289.829	2
20	Ductless Vent Grate	133.0016.964	1
21	Perimeter Panel with Lamp Support	133.0187.955	1
28	Lights Electrical Kit	133.0603.695	1
32	Left Panel Hinge	133.0017.597	1
34	Panel Clip	133.0036.314	1
41	Flange	133.0052.919	1

CYLINDRA ISOLA 2020 (Serial # Starts A)

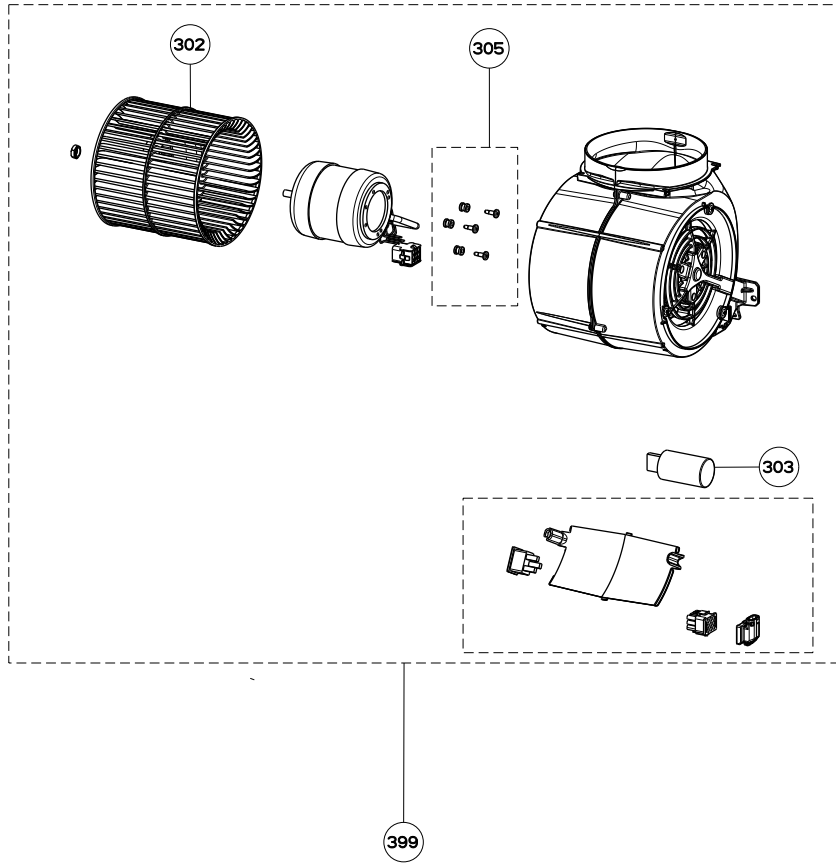
control/electrical components



Key	Description	Model Number	Qty Req.
29	Ribbon Connector Male	133.0191.395	1
30	Ribbon Connector Female	133.0191.398	1
37	Transformer Kit	133.0299.377	1
101	Control Button Kit	133.0166.539	1
102	Control Buttons	133.0250.978	1
451	Control Board	133.0603.699	1

CYLINDRA ISOLA 2020 (Serial # Starts A)

motor components



Key	Description	Model Number	Qty Req.
302	Impeller	CYLNIS15SS600	1
303	Capacitor	SS	1
305	Motor Mounts	133.0151.809	1
399	Motor Kit	133.0151.811	1
		133.0603.700	1