

LUXURIOUS STAINLESS WALL CYLINDER HOOD. The updated Cyindra wall hood features a stainless steel cylinder with state of the art new sleek touch controls and LED lighting. Perimetric Aspiration decreases sound and improves efficiency.



AVAILABLE MODELS

Model #	Size / Color	Motor Class (CFM)	Sound Levels (sones)
CYLN15SS600	15" Stainless	600 CFM	1.5 - 6.5

KEY FEATURES



New LED Push Buttons!

Updated Backlit electronic controls with a LED light to indicate the current speed.



Perimeter Aspiration

Air is forced through narrow slots around the perimeter of the center panel greatly improving contaminant extraction.



Pro Motor

The motor in this hood is surrounded in metal with all metal impellers for top performance

CYLINDRA WALL RANGE HOOD



SPECIFICATIONS

min. / max. ceiling height	8' (@ 24" off the stove recommended)
convertible to ductless / recirculating	yes - kit sold separately
controls	4 Speed LED
lighting	2 Level LED x 2
ducting top	6" round
grease filters	dishwasher safe mesh
pro motor w/ metal impellers	yes
perimetric suction system/ silent kit	yes
10 minute intensive speed	yes
24 hour anti-pollution mode	yes
30 minute auto shut off	yes
grease filter wash indicator	yes
AC Power	490 watts / 4.1 amps

PERFORMANCE

SPEED	1	2	3	BOOST
CFM	150	350	450	560
Sones	1.5	2.5	3.5	6.5

ACCESSORIES

CFMRED CFM Reducer Kit*

For use in make up air areas where an under 300 cfm hood is required. This kit reduces the ducting to 5" round and reduces the cfm to under 300.

CFMRED2 CFM Reducer Kit*

For use in make up air environments where an under 400 cfm hood is required. This kit reduces the ducting to 5" round and reduces the cfm from 400 to under.

FILTER2 Charcoal Filter Kit

High quality charcoal filter for use when recirculating the air back into the kitchen. Filters out odor and should be replaced every 6 months.

MUDAMPER6 / MUDAMPER8 Universal Make-Up Air Damper

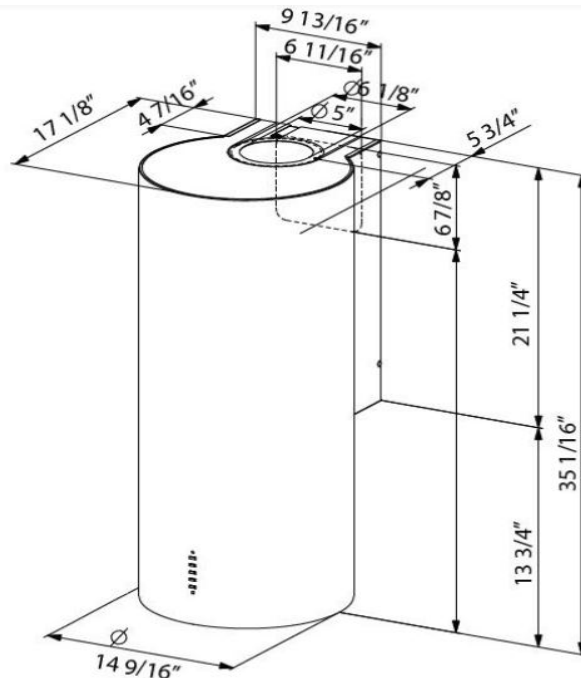
Satisfies make-up air requirements, this kit uses an air switch to activate the make-up air damper to open and bring fresh air into the home when the hood fan is on. It then closes tightly when the hood is off. The CFM level is not reduced with this accessory.

REMCTRL2 Remote Control

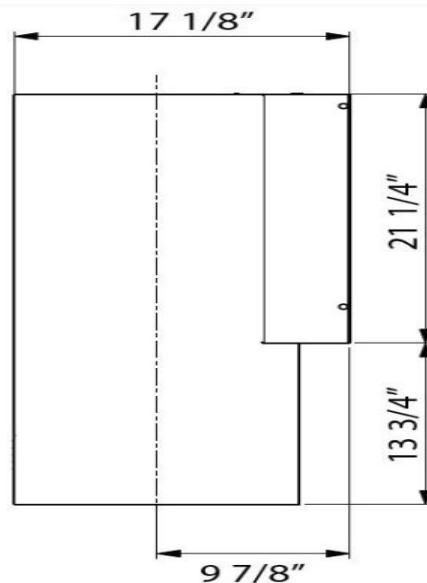
Control all features of the hood from the convenience of a wireless remote control.

DIMENSIONS

OVERALL DIMENSIONS



SIDEVIEW DIMENSIONS



WARNING! Product specifications are subject to change without notification. Consult the installation instructions before you begin installing this range hood. * Check local make up air codes for guidelines.

