

CYLINDRA WALL 2020 (Serial # Starts A)

Look for the following identifiers:

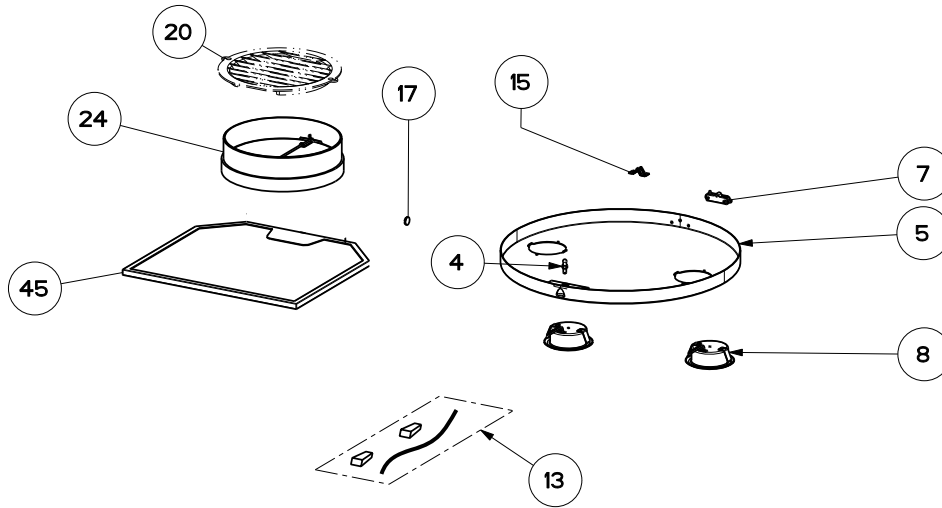


**Vertical Controls
Rectangular Buttons**



**LED Lights with smooth
Stainless Perimeter Panel**

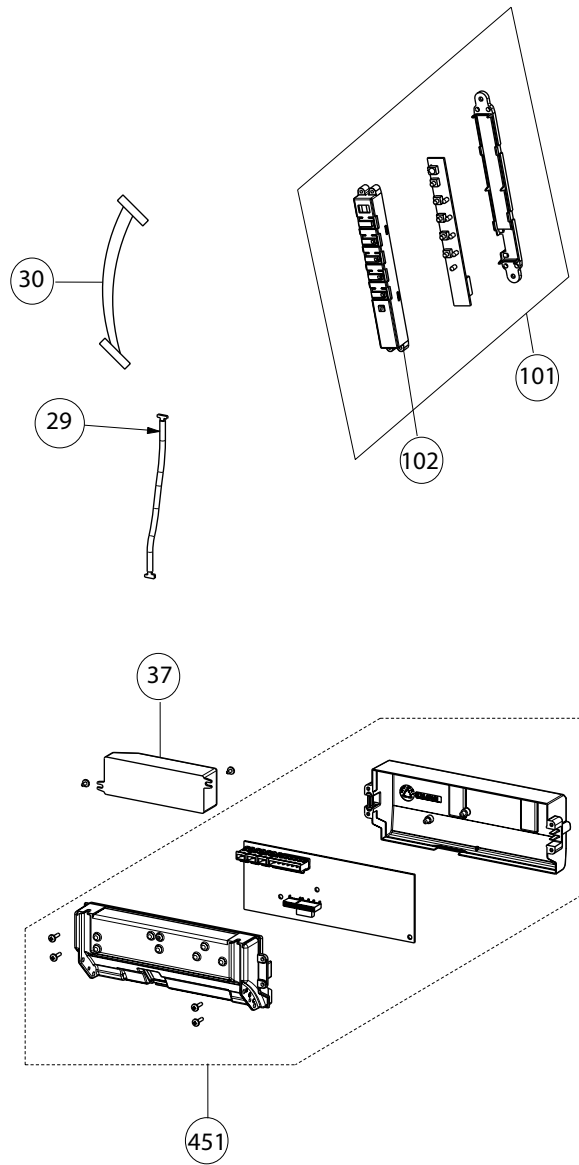
body components



Key	Model Number	Description	Qty Req.
4	CYLN15SS600	Hinge Pin Kit (2)	1
5		Perimetric Panel with Lamp Support	1
7		Perimetric Hinge	1
8		LED Spotlight 3000K	2
13		Lights Electrical Kit	1
15		Panel Clip	1
17		Plastic Covers (10 pieces)	1
20		Ductless Vent Grate	1
24		Damper with Metal Ring	1
45		Grease Filter	1

CYLINDRA WALL 2020 (Serial # Starts A)

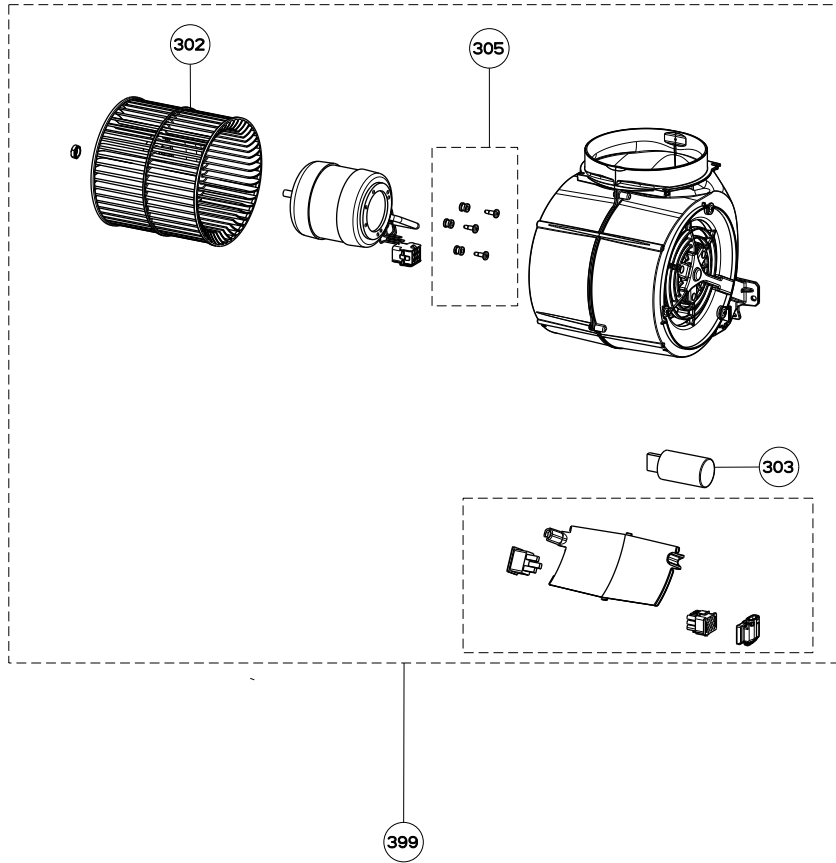
control/electrical components



Key	Description	Model Number	Qty Req.
29	Ribbon Connector Male	CYLN15SS600 133.0191.395	1
30	Ribbon Connector Female	133.0191.398	1
37	Transformer Kit	133.0299.377	1
101	Control Button Kit	133.0166.539	1
102	Control Buttons	133.0250.978	1
451	Control Board	133.0603.699	1

CYLINDRA WALL 2020 (Serial # Starts A)

motor components



Key	Description	Model Number	Qty Req.
302	Impeller	CYLN15SS600	1
303	Capacitor	133.0151.809	1
305	Motor Mounts	133.0060.648	1
399	Motor Kit	133.0151.811	1
		133.0603.700	1