

NEW CRISTAL

Installation Instructions
Use and Care Information

Instructions d'installation
Utilisez et d'entretien

Instrucciones de instalación
Información de uso y cuidado

CRIS36SS300 CRIS36SS400 CRIS36SS600
CRIS30SS300 CRIS30SS400 CRIS30SS600

READ AND SAVE THESE INSTRUCTIONS BEFORE YOU START INSTALLING THIS RANGEHOOD

WARNING: - TO REDUCE THE RISK OF A RANGE TOP GREASE FIRE:

- a) Never leave surface units unattended at high settings. Boilovers cause smoking and greasy spillovers that may ignite. Heat oils slowly on low or medium setting.
- b) Always turn hood ON when cooking at high heat or when flambeing food (i.e. Crepes Suzette, Cherries Jubilee, Peppercorn Beef Flambé).
- c) Clean ventilating fans frequently. Grease should not be allowed to accumulate on fan or filter.
- d) Use proper pan size. Always use cookware appropriate for the size of the surface element.

WARNING: - TO REDUCE THE RISK OF INJURY TO PERSONS IN THE EVENT OF A RANGE TOP GREASE FIRE, OBSERVE THE FOLLOWING*:

- a) **SMOTHER FLAMES** with a close-fitting lid, cookie sheet, or metal tray, then turn off the burner. **BE CAREFUL TO PREVENT BURNS.** If the flames do not go out immediately **EVACUATE AND CALL THE FIRE DEPARTMENT.**
- b) **NEVER PICK UP A FLAMING PAN** - You may be burned.
- c) **DO NOT USE WATER**, including wet dishcloths or towels - a violent steam explosion will result.
- d) Use an extinguisher **ONLY** if:
 1. You know you have a Class ABC extinguisher, and you already know how to operate it.
 2. The fire is small and contained in the area where it started.
 3. The fire department is being called.
 4. You can fight the fire with your back to an exit.

* Based on "Kitchen Firesafety Tips" published by NFPA

WARNING - TO REDUCE THE RISK OF FIRE OR ELECTRIC SHOCK, do not use this fan with any solid-state speed control device.

WARNING - TO REDUCE THE RISK OF FIRE, ELECTRICAL SHOCK, OR INJURY TO PERSONS, OBSERVE THE FOLLOWING:

1. Use this unit only in the manner intended by the manufacturer. If you have any questions, contact the manufacturer.
2. Before servicing or cleaning unit, switch power off at service panel and lock the service disconnecting means to prevent power from being switched on accidentally. When the service disconnecting means cannot be locked, securely fasten a prominent warning device, such as a tag, to the service panel.

CAUTION: For General Ventilating Use Only. Do Not Use To Exhaust Hazardous or Explosive Materials and Vapors.

WARNING - TO REDUCE THE RISK OF FIRE, ELECTRICAL SHOCK, OR INJURY TO PERSONS, OBSERVE THE FOLLOWING:

1. Installation Work And Electrical Wiring Must Be Done By Qualified Person(s) In Accordance With All Applicable Codes And Standards, Including Fire-Rated Construction.
2. Sufficient air is needed for proper combustion and exhausting of gases through the flue (chimney) of fuel burning equipment to prevent backdrafting. Follow the heating equipment manufacturer's guideline and safety standards such as those published by the National Fire Protection Association (NFPA), and the American Society for Heating, Refrigeration and Air Conditioning Engineers (ASHRAE), and the local code authorities.
3. When cutting or drilling into wall or ceiling, do not damage electrical wiring and other hidden utilities.
4. Ducted fans must always be vented to the outdoors.

ALL WALL AND FLOOR OPENINGS WHERE THE RANGEHOOD IS INSTALLED MUST BE SEALED.

This rangehood requires at least 24" of clearance between the bottom of the rangehood and the cooking surface or countertop. This hood has been approved by UL at this distance from the cooktop.

This minimum clearance may be higher depending on local building codes. For gas cooktops and combination ranges, a minimum of 30" is recommended and may be required.

Overhead cabinets on both sides of this unit must be a minimum of 18" above the cooking surface or countertop. Consult the cooktop or range installation instructions given by the manufacturer before making any cutouts.

MOBILE HOME INSTALLATION The installation of this rangehood must conform to the Manufactured Home Construction and Safety Standards, Title 24 CFR, Part 3280 (formerly Federal Standard for Mobile Home Construction and Safety, Title 24, HUD, Part 280). See Electrical Requirements.

VENTING REQUIREMENTS

Determine which venting method is best for your application. Ductwork can extend either through the wall or the roof.

The length of the ductwork and the number of elbows should be kept to a minimum to provide efficient performance. The size of the ductwork should be uniform. Do not install two elbows together. Use duct tape to seal all joints in the ductwork system. Use caulking to seal exterior wall or floor opening around the cap.

Flexible ductwork is not recommended. Flexible ductwork creates back pressure and air turbulence that greatly reduces performance.

Make sure there is proper clearance within the wall or floor for exhaust duct before making cutouts. Do not cut a joist or stud unless absolutely necessary. If a joist or stud must be cut, then a supporting frame must be constructed.

WARNING - To Reduce The Risk Of Fire, Use Only Metal Ductwork.

CAUTION - To reduce risk of fire and to properly exhaust air, be sure to duct air outside – Do not vent exhaust air into spaces within walls or ceilings or into attics, crawl spaces, or garages.



WARNING

- Venting system **MUST** terminate outside the home.
- **DO NOT** terminate the ductwork in an attic or other enclosed space.
- **DO NOT** use 4" laundry-type wall caps.
- Flexible-type ductwork is not recommended.
- **DO NOT** obstruct the flow of combustion and ventilation air.
- Failure to follow venting requirements may result in a fire.



WARNING

- Electrical ground is required on this rangehood.
- If cold water pipe is interrupted by plastic, nonmetallic gaskets or other materials, DO NOT use for grounding.
- DO NOT ground to a gas pipe.
- DO NOT have a fuse in the neutral or grounding circuit. A fuse in the neutral or grounding circuit could result in electrical shock.
- Check with a qualified electrician if you are in doubt as to whether the rangehood is properly grounded.
- Failure to follow electrical requirements may result in a fire.

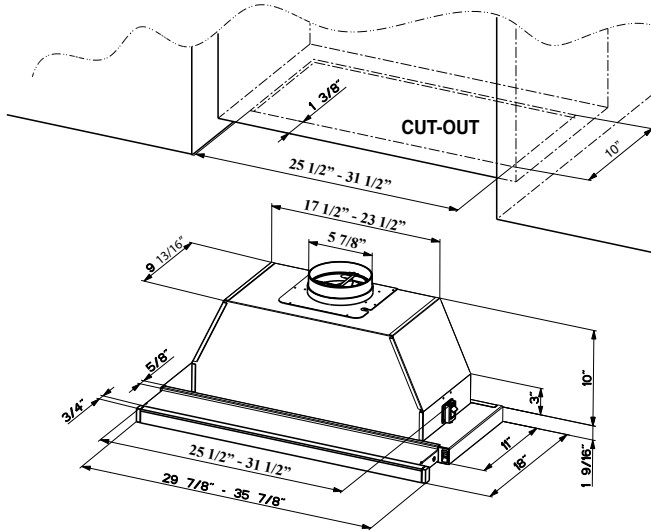
State of California Proposition 65 Warning (US only)

WARNING

This product contains chemicals known to the State of California to cause cancer and birth defects or other reproductive harm.

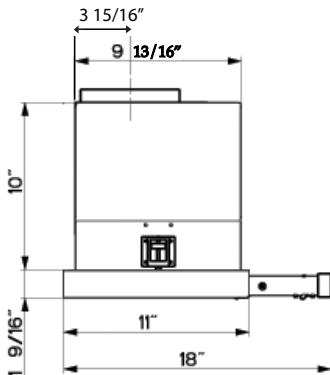
For more information go to www.P65Warnings.ca.gov

CRISTAL HC DIMENSIONS

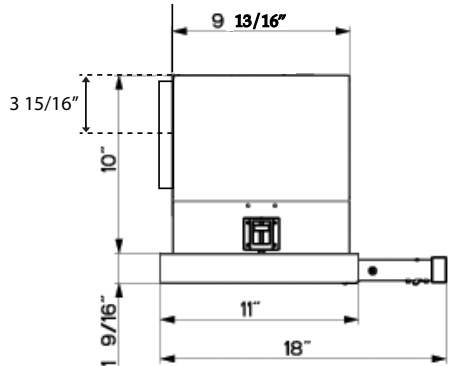


Pre-Planning Your Installation - Important: The recommended height to install this hood off the cooktop is a minimum of 24" and a maximum of 30" for maximum effectiveness. Also consult the cooktop manufacturer's recommendation. **NOTE: If direct rear venting, use the side dimensional diagram below on the right. For top venting (comes standard in this position), use the left dimensional diagram. Refer to page 5 for directions for direct rear venting.**

CRISTAL HC SIDE DIMENSIONS (TOP VENT - STANDARD)



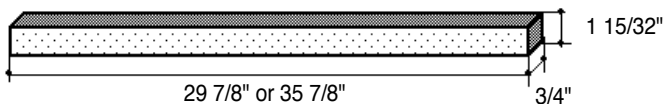
CRISTAL HC SIDE DIMENSIONS (DIRECT REAR VENT OPTION)



FRONT TRIM OPTIONS

The Cristal HC comes with a stainless steel front strip installed. Optional black and white kits are available for purchase. For a custom front strip, a local cabinet shop can make a strip to match your cabinets.

CUSTOM FRONT TRIM DIMENSIONS



PLAN THE DUCTWORK

TOOLS NEEDED FOR INSTALLATION

- Saber Saw or Jig Saw
- Drill
- 1 1/4" Wood Drill Bit
- Pliers
- Phillips Screwdriver
- Wire Stripper or Utility Knife
- Metal Snips
- Measuring Tape or Ruler
- Level
- Pencil
- Caulking Gun
- Duct Tape

PARTS SUPPLIED FOR INSTALLATION

- 1 Backdraft Damper
- 1 Vent Grate (for recirculating installations only)
- 1 Vinyl Trim
- 1 Literature Package

PARTS NEEDED FOR INSTALLATION

- 2 Conduit Connectors
- Power Supply Cable
- 1 Wall or Roof Cap
- All Metal Ductwork

The Cristal HC slideout rangehood is designed to offer wide flexibility of installations. The rangehood can be ducted vertically or horizontally through a 6" round vent. The unit can also be installed in a recirculating configuration. The unit comes standard in the top venting position. **FIGURES 1 and 2** show vertical and horizontal installations for this unit. **FIGURE 3** shows recirculating installation.

The Cristal HC requires 6" round ductwork. To ensure that the blower performs to its highest possible capacity, ductwork should be as short and straight as possible.

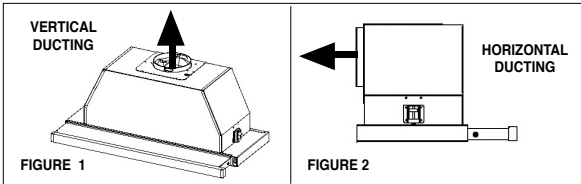
For satisfactory performance the duct run should not exceed 50 equivalent feet if ducted using the required minimum 6" round duct. The equivalent feet in **FIGURE A** for each piece of duct in the system. An example is given in **FIGURE B**. **For best results, use no more than three 90° elbows. Make sure that there is a minimum of 24" of straight duct between elbows if more than one is used. Do not install two elbows together. If you must elbow right away, do it as far away from the hood's exhaust opening as possible.**

45° Elbow	3.0 feet
90° Elbow	5.0 feet
90° Flat Elbow	12.0 feet
Wall Cap	0.0 feet

FIGURE A

9 Feet Straight Duct	9.0 feet
2 - 90° Elbows	10.0 feet
Wall Cap	0.0 feet
Total System	19.0 feet

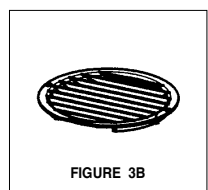
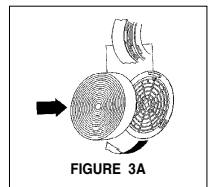
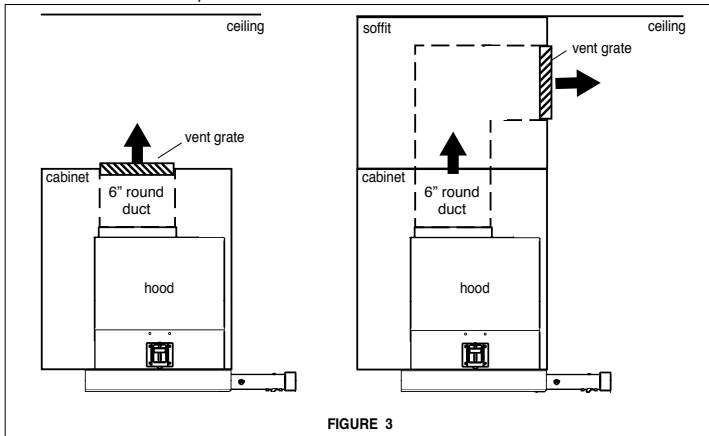
FIGURE B



For direct rear venting (**FIGURE 2**), you must change the blower position. Remove the 12 screws that hold the metal housing to the rangehood body. Remove the 4 screws that hold the blower housing to the metal housing. Rotate the blower 90 degrees toward the back and then flip it over 180 degrees. Be sure that the power supply cable is properly positioned. Replace all screws, making sure that they are firmly fastened.

RECIRCULATING INSTALLATIONS

For recirculating installations (**FIGURE 3**), **Charcoal Filters** are necessary. Remove all four grease filters and set aside. Attach one charcoal filter to each end of the blower. Each charcoal filter attaches to the black grid on the side of the blower. Rotate the filter clockwise to install and counterclockwise to remove (**FIGURE 3A**). Replace all four grease filters. **Some ductwork must be installed** to exhaust the rangehood back into the kitchen, either at the top of the cabinet or at the face of the soffit. A plastic vent grate (**FIGURE 3B**) supplied with the rangehood can be used to cover the duct opening. This duct work must not terminate into a dead air space.



**OPTIONAL ACCESSORIES FOR PURCHASE SEPARATELY
ACCESSOIRES EN OPTION POUR ACHETER SÉPARÉMENT**

• **Charcoal Filters**

For non-vented installations only, replace charcoal filters as needed part # **FILTER1** - # **FILTER1LL**

"When used in recirculation mode, to Reduce the Risk of Fire and Shock use only conversion kit Model FILTER 1 - FILTER1LL"

• **CFM Reducer Kit**

To reduce cfm to below 300 cfm for use in make up air environments part # **CFMRED**

• **Front Trim Kits**

Replace stainless trim on the slide out hood with a black or white trim (available in 30" or 36")

CRTRIM30WH (30" white)

CRTRIM30BK (30" black)

CRTRIM36WH (36" white)

CRTRIM36BK (36" black)

• **Filtres à charbon**

Pour les installations non ventilé seulement, remplacer le charbon de bois filtres au besoin partie # **FILTER1** - # **FILTER1LL**

• **Réducteur de CFM Kit**

Pour réduire cfm à 300 cfm ci-dessous pour une utilisation dans compenser milieux aériens partie # **CFMRED**

• **Front Bordure Kits**

Remplacer la garniture inoxydable sur la diapositive sur le capot avec un équilibre noir ou blanc (disponible en 30 "ou 36")

CRTRIM30WH (30" blanc)

CRTRIM30BK (30" noir)

CRTRIM36WH (36" blanc)

CRTRIM36BK (36" noir)

PREPARE THE CABINET

1. Disconnect and move freestanding range from cabinet opening to provide easier access to upper cabinet and rear wall. Put a thick, protective covering over cooktops, set-in ranges or countertops to protect from damage or dirt.
2. Determine and clearly mark with a pencil the center line of the cabinet on the wall and on the underside of the cabinet where the rangehood will be installed.
3. If the cabinet bottom is recessed, wood blocks need to be installed to insure proper alignment with the cabinet bottom. Wood blocks should be flush or recessed $1/16''$ to $1/8''$ within the cabinet bottom as indicated in **FIGURE 4**.

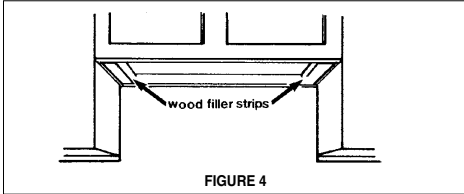


FIGURE 4

4. Determine the proper cutouts for the ductwork. Make all necessary cuts in the walls or cabinets for the ductwork. Install the ductwork before mounting the rangehood.
5. Determine and make the proper cutout for the Power Supply Cable. Use a $1/4''$ Drill Bit to make this hole. Run the Power Supply Cable through the wall or cabinet. DO NOT turn on the power until installation is complete. Use caulking to seal around the wire opening.

MAKE THE CUT-OUT OPENING (FIGURE 5) WHERE THE RANGEHOOD WILL BE INSTALLED.

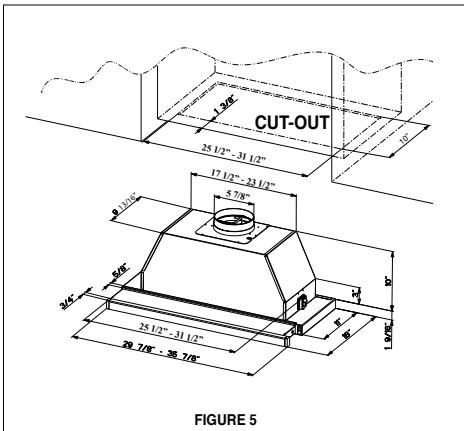


FIGURE 5

INSTALL THE RANGEHOOD

1. Remove the rangehood from the carton and place on a flat surface. Cover the surface to prevent accidental damage. Remove all parts including the backdraft damper, plastic grille and literature package before discarding the carton. Remove the grease filters and set aside.
2. Place the round damper into the exhaust opening of the rangehood and press down.

3. The rangehood mounts to the cabinet by two spring loaded brackets, one on each side of the rangehood (**FIGURE 6**). Lift the rangehood into the cutout opening in the cabinet. Be careful not to damage the cabinet, rangehood or other appliances.

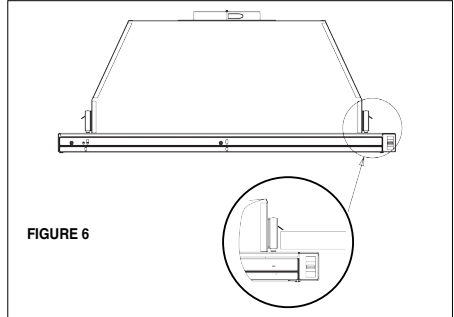


FIGURE 6

4. The spring loaded brackets are factory set to accommodate a thickness between $1\ 3/16''$ and $2\ 1/4''$. If your cabinet bottom is less than $1\ 3/16''$ thick, the spring loaded brackets can be removed and repositioned down from the top setting to the bottom setting by removing the four phillips screws.
5. Tighten the rangehood to the cabinet by rotating the screws with a phillips screw driver.
6. A grey vinyl strip (**FIGURE 7**) is included to cover the underside of any remaining exposed cabinet. Attach the grey vinyl strip to the bottom of the back of the rangehood with the three screws provided. If necessary, the strip can be cut to fit the cabinet depth.

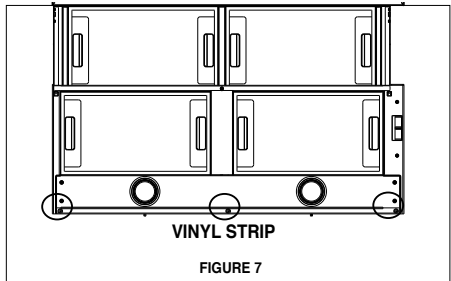


FIGURE 7

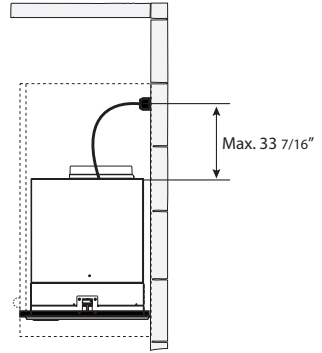
7

ELECTRICAL INSTALLATION WITH CONNECTION CABLE

GROUNDING INSTRUCTIONS This appliance must be grounded. In the event of an electrical short circuit, grounding reduces the risk of electric shock by providing an escape wire for the electric current. This appliance is equipped with a cord having a grounding wire with a grounding plug. The plug must be plugged into an outlet that is properly installed and grounded.

WARNING - Improper grounding can result in a risk of electric shock. Consult a qualified electrician if the grounding instructions are not completely understood, or if doubt exists as to whether the appliance is properly grounded.

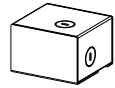
Do not use an extension cord. If the power supply cord is too short, have a qualified electrician install an outlet near the appliance.



ELECTRICAL INSTALLATION WITH OPTIONAL WIRING BOX

For Permanent wiring Installation-Use only with Listed rangehood Wiring Box kit sku # WIREBOX, manufactured by Faber.

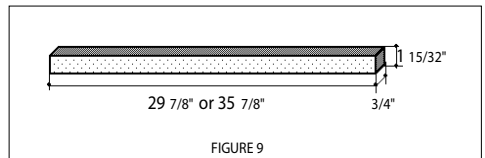
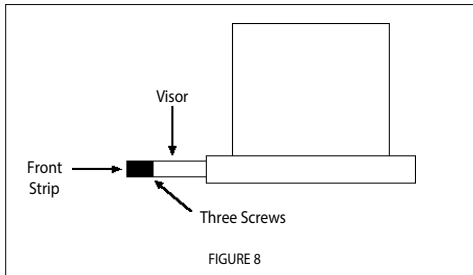
Direct Connect Wiring Box
Accessory sku # WIREBOX
(purchased separately)



FRONT TRIM OPTIONS

The New Cristal comes with a stainless front strip installed. Optional black and white strips are available as accessories for purchase. To change the front strip, remove the three philips screws located behind the strip (FIGURE 8). If necessary, the front strip can be adjusted by loosening the three phillips screws and sliding the strip up or down. Tighten screws when you have the strip properly placed.

For a custom front strip, a local cabinet shop can make a strip to match your cabinets. The front strip dimensions are given in FIGURE 9.



USE AND CARE INFORMATION

For Best Results

Start the rangehood several minutes before cooking to develop proper airflow. Allow the rangehood to operate for several minutes after cooking is complete to clear all smoke and odors from the kitchen.

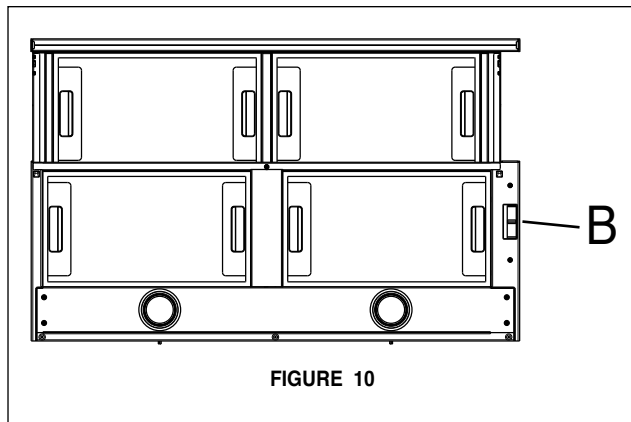


FIGURE 10

USE AND CARE INFORMATION

Rangehood Control Panel

All controls are located on the right side of the rangehood.

Light On/Off Switch

The On/Off switch for the halogen light is located behind the front trim. Moving the switch to the 1 Position turns the light On. Moving the switch to the 0 position turns the light off.

Blower Speed Switch

B in FIGURE 10 shows the speed control switch for the blower. Moving the switch to the 1 Position turns the blower on LOW. Moving the switch to the 2 Position turns the blower on MEDIUM. Moving the switch to the 3 Position turns the blower on HIGH. Moving the switch to the 0 Position turns the blower off.

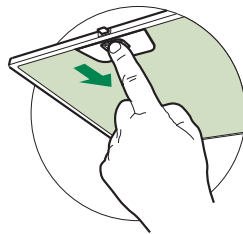
Automatic Operation

As long as the blower and light switches are on, the blower and light will automatically operate when the visor is opened and shut off when the visor is closed.

Cleaning metal grease filters

The metal grease filters can be cleaned in hot detergent solution or washed in the dishwasher. They should be cleaned every 2 months use, or more frequently if use is particularly heavy.

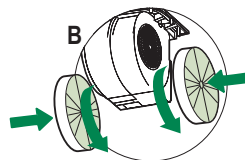
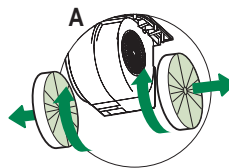
- Open the visor by pulling it.
- Remove the filter, pushing the lever towards the back of the unit and at the same time pulling downward.
- Wash the filter without bending it, leave it to dry thoroughly before replacing (if the surface of the filter changes color over time, this will have absolutely no effect on its efficiency).
- Replace, taking care to ensure that the handle faces forward.
- Cleaning in dishwasher may dull the finish of the metal grease filter.
- Close the visor.



Replacing Activated Charcoal Filter

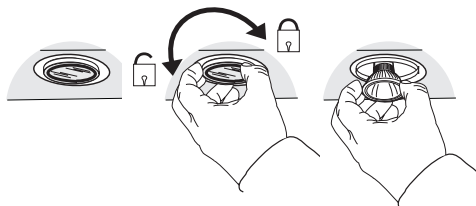
The Activated Charcoal Filters are not washable and cannot be regenerated, and must be replaced approximately every 4 months of operation, or more frequently with heavy usage.

- Open the visor by pulling it.
- Remove the Filter, pushing it towards the back of the unit and at the same time pulling downward.
- Remove the saturated Activated Charcoal Filters, as indicated (A).
- Fit the new Filters, as indicated (B).
- Replace, taking care to ensure that the handle faces forwards.
- Close the visor.



Lighting unit

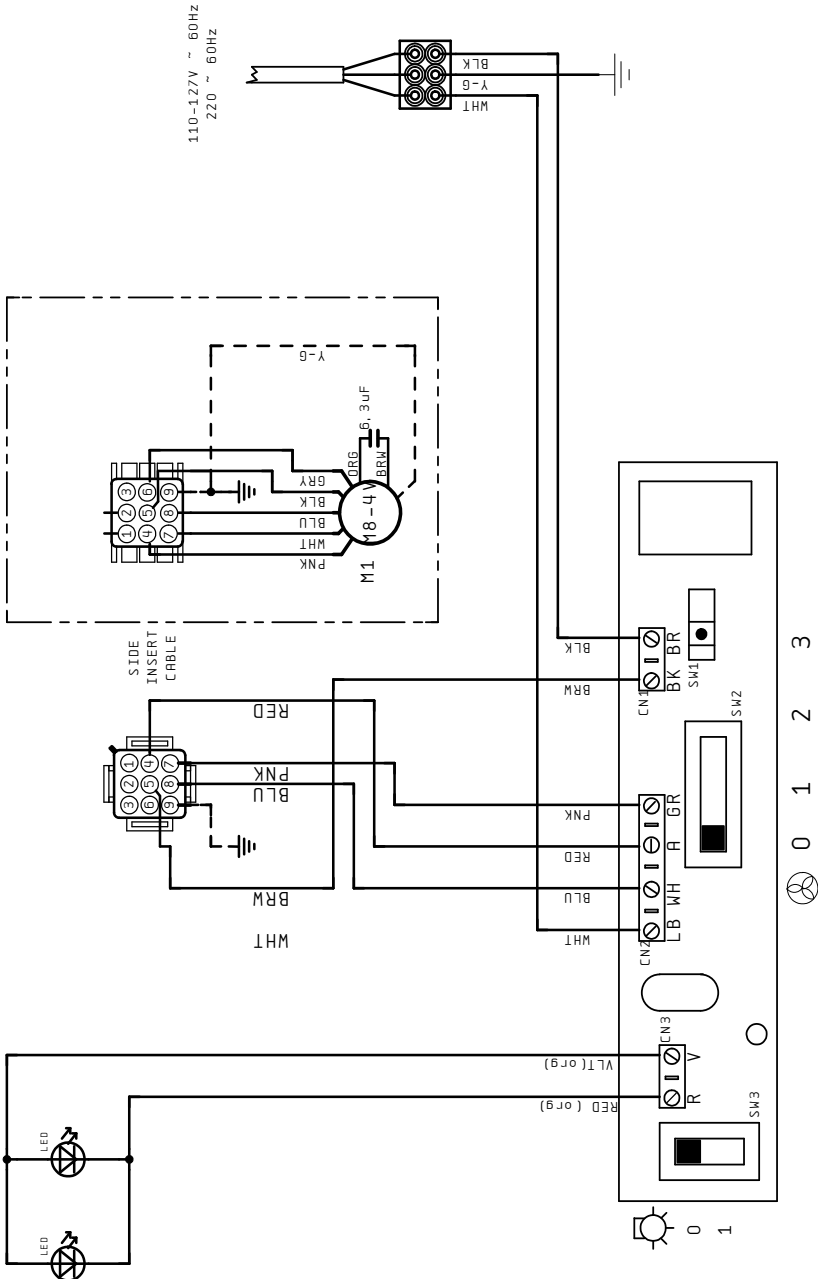
- Turn off electrical supply before replacing bulbs, and make sure bulbs are cool to touch before proceeding.
- Remove the lamp at the base and turn slightly to the left and the pull out from the connector and turn slightly to the left.
- Replace the lamp with a new one of the same type, making sure that you insert the two pins properly into the housings on the lamp holder.
- Once the bulb pins are in place turn slightly to the right to secure.



Gu10 self-ballasted led lamps – listed in accordance with ul 1993/nmx-j-578/1-ance/csa c22.2 No. 1993



Wiring Diagram





FABER CONSUMER WARRANTY & SERVICE

All Faber products are warranted against any defect in materials or workmanship for the original purchaser for a period of 1 year from the date of original purchase (requires proof of purchase). This warranty covers labor and replacement parts. Faber, at its option, may repair or replace the product or components necessary to restore the product to good working condition. To obtain warranty service, contact the dealer from whom you purchased the range hood, or the local Faber distributor. If you cannot identify a local Faber distributor, contact us at (508) 358-5353 for the name of a distributor in your area.

The following is not covered by Faber's warranty:

1. Service calls to correct the installation of your range hood, to instruct you how to use your range hood, to replace or repair house fuses or to correct house wiring or plumbing.
2. Service calls to repair or replace range hood light bulbs, fuses or filters. Those consumable parts are excluded from warranty coverage.
3. Repairs when your range hood is used for other than normal, single-family household use.
4. Damage resulting from accident, alteration, misuse, abuse, fire, flood, acts of God, improper installation, installation not in accordance with electrical or plumbing codes or Faber documentation, or use of products not approved by Faber.
5. Replacement parts or repair labor costs for units operated outside the United States or Canada, including any non-UL or C-UL approved Faber range hoods.
6. Repairs to the hood resulting from unauthorized modifications made to the range hood.
7. Expenses for travel and transportation for product service in remote locations and pickup and delivery charges. Faber range hoods should be serviced in the home.

THIS WARRANTY DOES NOT ALLOW RECOVERY OF INCIDENTAL OR CONSEQUENTIAL DAMAGES, INCLUDING, WITHOUT LIMITATION, DIRECT, INDIRECT, INCIDENTAL, SPECIAL OR CONSEQUENTIAL DAMAGES, PERSONAL INJURY/WRONGFUL DEATH OR LOST PROFITS FABER WARRANTY IS LIMITED TO THE ABOVE CONDITIONS AND TO THE WARRANTY PERIOD SPECIFIED HEREIN AND IS EXCLUSIVE. EXCEPT AS EXPRESSLY SPECIFIED IN THIS AGREEMENT, FABER DISCLAIMS ALL EXPRESS OR IMPLIED CONDITIONS, REPRESENTATIONS, AND WARRANTIES INCLUDING, WITHOUT LIMITATION, ANY IMPLIED WARRANTIES OF MERCHANTABILITY OR FITNESS FOR A PARTICULAR PURPOSE.

This warranty gives you specific legal rights that may vary from state to state.

Model#: _____

Serial #: _____

January 4, 2016

VEUILLEZ LIRE ET CONSERVER LA PRÉSENTE NOTICE AVANT DE COMMENCER L'INSTALLATION DE LA HOTTE DE CUISINE

AVERTISSEMENT : POUR RÉDUIRE LE RISQUE D'UN FEU DE GRAISSE SUR LA TABLE DE CUISSON :

- a) Ne laissez jamais sans surveillance les éléments de la surface de cuisson à température élevée. Les bouillonnements excessifs peuvent provoquer de la fumée et les débordements de graisse peuvent s'enflammer. L'huile doit être chauffée lentement, à une température basse ou moyenne.
- b) Assurez-vous de toujours mettre en marche le ventilateur de la hotte lorsque vous cuisinez à température élevée ou préparez un mets flambé (p.ex. crêpes Suzette, cerises jubilé, bœuf flambé).
- c) Nettoyez régulièrement les ventilateurs d'aspiration. Assurez-vous de ne pas laisser de la graisse s'accumuler sur le ventilateur ou le filtre.
- d) Utilisez toujours des poêles et casseroles de la taille appropriée. Utilisez toujours des ustensiles de cuisine de la taille adaptée à celle de l'élément chauffant.

AVERTISSEMENT : - POUR PRÉVENIR LES BLESSURES EN CAS DE FEU DE GRAISSE SUR LA TABLE DE CUISSON, SUIVEZ LES RECOMMANDATIONS SUIVANTES* :

- a) **ÉTOUFFEZ LES FLAMMES** à l'aide d'un couvercle hermétique, d'une plaque à biscuits ou d'un plateau métallique, puis éteignez le brûleur. **FAITES ATTENTION AUX BRÛLURES.** Si le feu ne s'éteint pas immédiatement, **QUITTEZ LES LIEUX ET APPELEZ LES POMPIERS.**
- b) **NE PRENEZ JAMAIS UNE CASSEROLE EN FLAMME** - Vous pourriez vous brûler.
- c) **N'UTILISEZ JAMAIS DE L'EAU**, ni un linge à vaisselle ou un torchon mouillé, pour éteindre le feu. Cela pourrait provoquer une violente explosion de vapeur.
- d) Utilisez un extincteur **UNIQUEMENT** si :
 1. Vous êtes certain qu'il s'agit d'un extincteur de classe ABC et que vous connaissez bien son mode d'emploi.
 2. Le feu est de faible intensité et se limite à l'endroit où il a démarré.
 3. Les pompiers ont déjà été appelés.
 4. Une voie de sortie se trouve derrière vous pendant que vous éteignez les flammes.

* D'après le guide « Kitchen Firesafety Tips » publié par la NFPA aux États-Unis

AVERTISSEMENT - POUR RÉDUIRE LE RISQUE D'INCENDIE OU DE CHOC ÉLECTRIQUE, n'utilisez jamais ce ventilateur en association avec un dispositif de réglage de vitesse à semi-conducteurs.

AVERTISSEMENT - POUR RÉDUIRE LES RISQUES D'INCENDIE, DE CHOC ÉLECTRIQUE OU DE BLESSURE CORPORELLE, RESPECTEZ LES INSTRUCTIONS SUIVANTES :

1. Utilisez cet appareil uniquement de la façon prévue par le fabricant. Pour toute question, communiquez avec le fabricant.
2. Avant de procéder à l'entretien ou au nettoyage de l'appareil, coupez l'alimentation au niveau du panneau électrique et verrouillez-le pour vous assurer que l'électricité n'est pas rétablie accidentellement. S'il n'est pas possible de verrouiller le dispositif d'interruption de l'alimentation, affichez de façon ferme et bien visible un avis de danger, par exemple à l'aide d'une étiquette sur le panneau.

ATTENTION : Destiné à un usage de ventilation générale uniquement. N'utilisez pas ce dispositif pour l'aspiration de vapeurs ou de matériaux dangereux ou explosifs.

AVERTISSEMENT - POUR RÉDUIRE LES RISQUES D'INCENDIE, DE CHOC ÉLECTRIQUE OU DE BLESSURE CORPORELLE, RESPECTEZ LES INSTRUCTIONS SUIVANTES :

1. L'installation et le branchement électrique doivent être réalisés par un technicien qualifié et conformément à tous les codes et normes en vigueur, incluant ceux concernant la construction à l'épreuve du feu.
2. Afin de garantir une combustion et une évacuation adéquates des gaz par les conduites de la cheminée des appareils à combustion, une bonne aération est nécessaire pour éviter le refoulement. Respectez les lignes directrices fournies par le fabricant du matériel chauffant, ainsi que les normes de sécurité comme celles publiées par la National Fire Protection Association (NFPA) et la American Society for Heating, Refrigeration and Air Conditioning Engineers (ASHRAE) aux États-Unis, ainsi que les codes en vigueur dans votre région.
3. Lorsque vous faites une ouverture ou percez dans un mur ou le plafond, veillez à ne pas endommager les fils électriques ou d'autres dispositifs cachés.

4. Les ventilateurs canalisés doivent toujours être raccordés à l'extérieur.

TOUTE OUVERTURE DANS LE MUR OU LE PLANCHER À PROXIMITÉ DE LA HOTTE DOIT ÊTRE SCELLÉE.

Un espace libre d'au moins 24" est requis entre le bas de la hotte et la surface de cuisson ou le comptoir. Cette hotte a été homologuée par l'UL à cette distance de la surface de cuisson.

L'espace libre minimal requis peut-être plus grand, selon la réglementation en matière de construction de votre région. Pour les cuisinières à gaz et les cuisinières combinées, un espace minimal de 30" est recommandé et pourrait être exigé.

Les armoires suspendues de chaque côté de l'appareil doivent se trouver à au moins 18" de la surface de cuisson ou du comptoir. Consultez la notice d'installation de la surface de cuisson ou de la cuisinière fournie par le fabricant avant de pratiquer des ouvertures.

INSTALLATION DANS UNE MAISON MOBILE L'installation de cette hotte doit être conforme à la Partie 3280 de la norme Manufactured Home Construction and Safety Standards, Titre 24 CFR (précédemment la partie 280 de la norme Federal Standard for Mobile Home Construction and Safety, Titre 24, HUD). Consultez la fiche technique électrique.

CRITÈRES DE VENTILATION

Déterminez quelle méthode de ventilation est mieux adaptée à votre application. Les conduits peuvent passer par le mur ou le toit.

Pour garantir une meilleure efficacité, la longueur des conduits et le nombre de coudes doivent être le plus limités que possible. Le diamètre des conduits devrait être uniforme. N'installez pas deux coudes ensemble. Utilisez un ruban pour canalisations afin de sceller tous les joints du système de conduits. Utilisez un calfeutrage pour sceller les ouvertures dans le mur extérieur ou le plancher, autour du clapet.

Il n'est pas recommandé d'utiliser des conduits flexibles. Les conduits flexibles provoquent une contre-pression et de la turbulence qui diminuent grandement l'efficacité de l'appareil.

Assurez-vous que l'espace libre dans le mur ou le plancher est suffisant pour le conduit d'évacuation avant de pratiquer les ouvertures. Ne coupez jamais une poutre ou un chevron, sauf si c'est absolument nécessaire. S'il s'avère nécessaire de couper une poutre ou un chevron, la construction d'un renforcement est requise.

AVERTISSEMENT - Pour réduire le risque d'incendie, utilisez uniquement des conduits métalliques.

ATTENTION - Pour réduire le risque d'incendie et pour évacuer adéquatement l'air, assurez-vous de raccorder les conduits à l'extérieur – Ne diffusez pas l'air d'évacuation dans des espaces à l'intérieur des murs ou du plafond, ou encore à l'intérieur d'un grenier, d'une galerie technique ou d'un garage.



AVERTISSEMENT

- Le système de ventilation DOIT déboucher à l'extérieur.
- **NE FAITES PAS** déboucher les conduits dans un grenier ou un autre endroit fermé.
- **N'UTILISEZ PAS** un clapet de sècheuse mural de 4 po.
- Il n'est pas recommandé d'utiliser des conduits flexibles.
- **N'ENTRAVEZ PAS** le flux de l'air de combustion et de ventilation.
- Le non-respect des exigences en matière de ventilation pourrait entraîner un incendie.



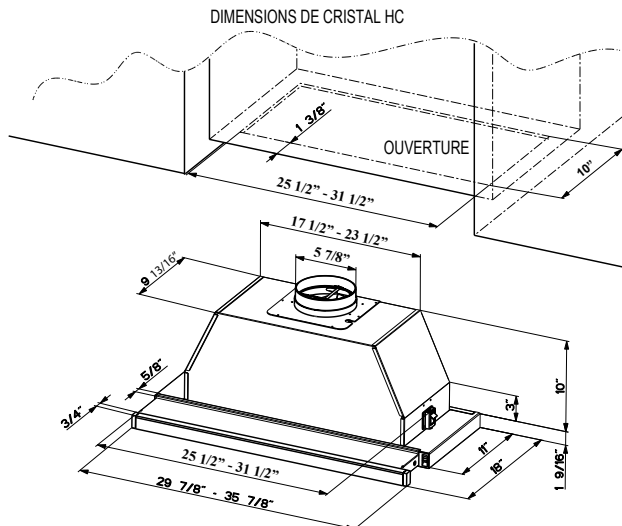
AVERTISSEMENT

- Une mise à la terre électrique est requise pour cette hotte.
- N'UTILISEZ PAS un tuyau d'eau froide pour la mise à la terre si celui-ci est branché par des joints en plastique, par des rondelles non métalliques ou d'autres matériaux.
- N'UTILISEZ PAS une conduite de gaz pour la mise à la terre.
- N'INSTALLEZ PAS un fusible sur le circuit neutre ou le circuit de mise à la terre. La présence d'un fusible dans le circuit neutre ou de mise à la terre peut entraîner un choc électrique.
- Consultez un électricien qualifié si vous n'êtes pas certain de la mise à la terre de la hotte.
- Le non-respect des exigences de la fiche technique électrique pourrait entraîner un incendie.

Avertissement de la proposition 65 de l'État de Californie (US seulement)

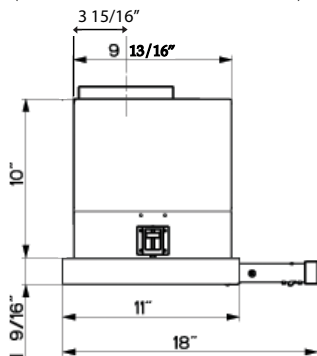
ATTENTION

Ce produit contient des produits chimiques connus de l'État de Californie pour causer le cancer et des malformations congénitales ou d'autres problèmes de reproduction. Pour plus d'informations, visitez www.P65Warnings.ca.gov

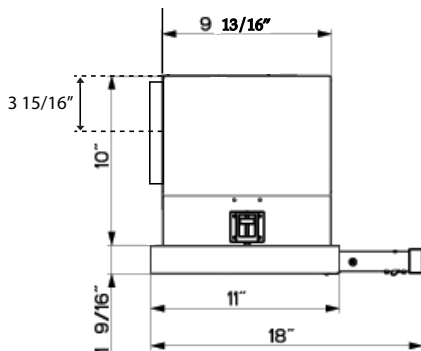


Planification de l'installation - Important : Il est recommandé d'installer cette hotte à une distance d'au moins 24" de la surface de cuisson et à une distance maximale de 30" pour une efficacité optimale. Reportez-vous également aux recommandations du fabricant de la surface de cuisson. REMARQUE : En cas de ventilation directement à l'arrière, utilisez le diagramme des dimensions latérales de droite. En cas de ventilation vers le haut (position standard), utiliser le diagramme des dimensions latérales de gauche. Reportez-vous à la page 5 pour de plus amples renseignements sur la ventilation directement à l'arrière.

DIMENSIONS LATÉRALES - CRISTAL HC
(VENTILATION VERS LE HAUT - STANDARD)



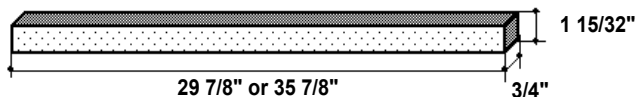
DIMENSIONS LATÉRALES - CRISTAL HC
(OPTION DE VENTILATION DIRECTEMENT À L'ARRIÈRE)



GARNITURE AVANT EN OPTION

La nouvelle hotte Cristal HC est équipée d'une bande d'acier inoxydable installée. Des bandes en option, de couleur noire ou blanche, peuvent être achetées. Pour une bande avant personnalisée, il est aussi possible de s'adresser à une boutique spécialisée dans la vente d'armoires pour obtenir une bande coordonnée à vos armoires

DIMENSIONS DE LA GARNITURE SUR MESURE



OUTILS REQUIS POUR L'INSTALLATION

- Scie sauteuse ou scie à découper
- Perceuse
- Mèche pour bois de 1 1/4"
- Pincettes
- Tournevis cruciforme
- Dénudeur de fil ou couteau tout usage
- Cisailles à métaux
- Ruban à mesurer ou règle
- Niveau
- Crayon
- Pistolet de cauféutage
- Ruban pour canalisation

PIÈCES FOURNIES POUR L'INSTALLATION

- 1 registre antirefoulement
- 1 grille d'évent (pour installation avec recyclage uniquement)
- 1 garniture de vinyle
- 1 documentation

PIÈCES REQUISES POUR L'INSTALLATION

- 2 connecteurs de conduit
- Câble d'alimentation électrique
- 1 clapet mural ou clapet de toiture
- Canalisation entièrement métallique

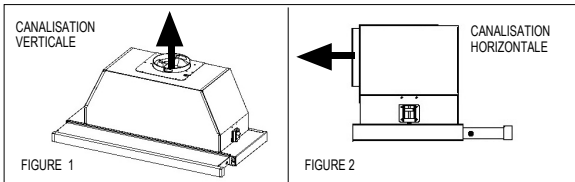
La hotte coulissante Cristal HC est conçue pour offrir une grande flexibilité en matière d'installation. Il est possible d'installer une canalisation verticale ou horizontale, par un conduit circulaire de 6". Il est aussi possible d'installer l'appareil en le configurant de façon à ce que l'air soit recyclé. L'appareil est configuré en vue d'une installation avec canalisation verticale par défaut. Les FIGURES 1 et 2 illustrent l'installation verticale et horizontale de l'appareil. La FIGURE 3 illustre l'installation avec recyclage. La hotte Cristal HC nécessite des conduits circulaires de 6". La canalisation doit être la plus courte et droite que possible, pour que le ventilateur fonctionne au maximum de ses capacités.

Pour des résultats satisfaisants, la canalisation ne devrait pas être supérieure à l'équivalent de 50 pieds si la canalisation est réalisée avec le conduit circulaire minimum de 6". L'équivalent en pieds de chaque élément de canalisation du système de la FIGURE A. Un exemple est donné sur la FIGURE B.

45° Coude	3.0 pieds
90° Coude	5.0 pieds
90° Coude plat	12.0 pieds
Clapet mural	0.0 pieds
FIGURE A	

Pour des résultats optimaux, n'utilisez pas plus de trois coudes de 90°. Si plus d'un coude est utilisé, assurez-vous qu'un conduit linéaire d'une longueur minimale de 24" se trouve entre deux coudes. N'installez pas deux coudes ensemble. Si vous devez installer tout de suite un coude, placez-le le plus loin possible de l'ouverture d'évacuation de la hotte.

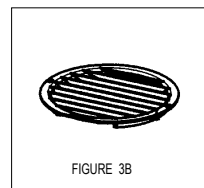
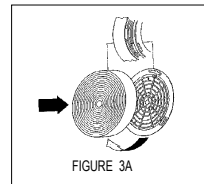
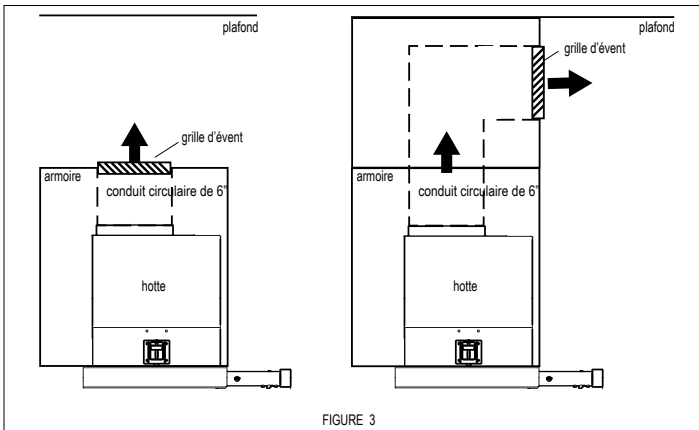
Conduit droit de 9 pieds	9.0 pieds
2 - 90° coudes	10.0 pieds
Clapet mural	0.0 pieds
Système total	19.0 pieds
FIGURE B	



Pour la ventilation directement à l'arrière (FIGURE 2), vous devez changer la position du ventilateur. Retirez les 12 vis qui relient le carter de métal au bâti de la hotte. Retirez les 4 vis qui relient le carter du ventilateur au carter de métal. Faites tourner le ventilateur de 90 degrés vers l'arrière, puis faites-le tourner de 180 degrés. Assurez-vous que le câble d'alimentation électrique est dans une position adéquate. Remettez toutes les vis en place, en vous assurant qu'elles sont bien serrées.

INSTALLATIONS AVEC RECYCLAGE

Pour les installations avec recyclage (FIGURE 3), il est nécessaire d'installer des filtres à charbon. Retirez les quatre filtres à graisse et mettez-les à part. Posez un filtre à charbon à chaque extrémité du ventilateur. Chaque filtre à charbon se fixe à la grille noire sur le côté du ventilateur. Faites tourner le filtre dans le sens des aiguilles d'une montre pour l'installer et dans le sens contraire des aiguilles d'une montre pour l'enlever (FIGURE 3A). Remettez les quatre filtres à graisse en place. Une canalisation doit être installée pour évacuer la hotte dans la cuisine, soit au sommet des armoires ou sur la face du parement. Une grille d'évent de plastique (FIGURE 3B) fournie avec la hotte peut être utilisée pour couvrir l'ouverture du conduit. Cette canalisation ne doit pas se terminer dans un espace sans circulation d'air.



**OPTIONAL ACCESSORIES FOR PURCHASE SEPARATELY
ACCESSOIRES EN OPTION POUR ACHETER SÉPARÉMENT**

• **Charcoal Filters**

For non-vented installations only, replace charcoal filters as needed part # **FILTER1** - # **FILTER1LL**

"When used in recirculation mode, to Reduce the Risk of Fire and Shock use only conversion kit Model FILTER 1 - FILTER1LL"

• **CFM Reducer Kit**

To reduce cfm to below 300 cfm for use in make up air environments part # **CFMRED**

• **Front Trim Kits**

Replace stainless trim on the slide out hood with a black or white trim (available in 30" or 36")

CRTRIM30WH (30" white)

CRTRIM30BK (30" black)

CRTRIM36WH (36" white)

CRTRIM36BK (36" black)

• **Filtres à charbon**

Pour les installations non ventilé seulement, remplacer le charbon de bois filtres au besoin partie # **FILTER1** - # **FILTER1LL**

• **Réducteur de CFM Kit**

Pour réduire cfm à 300 cfm ci-dessous pour une utilisation dans compenser milieux aériens partie # **CFMRED**

• **Front Bordure Kits**

Remplacer la garniture inoxydable sur la diapositive sur le capot avec un équilibre noir ou blanc (disponible en 30 "ou 36")

CRTRIM30WH (30" blanc)

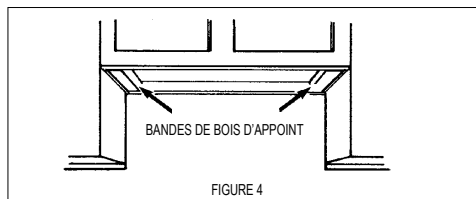
CRTRIM30BK (30" noir)

CRTRIM36WH (36" blanc)

CRTRIM36BK (36" noir)

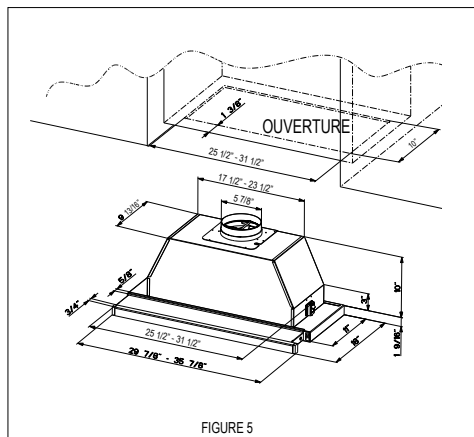
PRÉPARER L'ARMOIRE

1. Débranchez et déplacez la cuisinière de l'ouverture de l'armoire pour faciliter l'accès à l'armoire du haut et au mur arrière. Placez une protection épaisse sur la surface de cuisson, la cuisinière encastrée ou le comptoir pour éviter qu'ils soient endommagés ou salis.
2. Déterminez la ligne centrale de l'endroit où la hotte sera installée et marquez-la clairement sur le mur et le dessous de l'armoire où la hotte sera installée.
3. Si le fond de l'armoire est en retrait, des blocs de bois doivent être installés pour assurer un alignement adéquat avec le fond de l'armoire. Les blocs de bois doivent être alignés ou en retrait de $1/16''$ à $1/8''$ par rapport au fond de l'armoire, comme indiqué sur la FIGURE 4..



4. Déterminez les ouvertures adéquates à réaliser pour la canalisation. Pratiquez toutes les ouvertures nécessaires dans le mur ou dans l'armoire pour réaliser la canalisation. Installez la canalisation avant de monter la hotte.
5. Déterminez les ouvertures adéquates pour le câble d'alimentation et réalisez-les. Utilisez une mèche de $1/4''$ pour percer ce trou. Faites passer le câble d'alimentation dans le mur ou l'armoire. **NE METTEZ PAS** l'alimentation sous tension avant d'avoir terminé l'installation. Utilisez un caufeutrage pour sceller autour de l'ouverture des câbles.

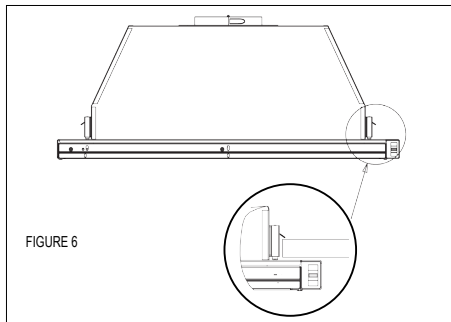
RÉALISER L'OUVERTURE (FIGURE 5) OÙ LA HOTTE SERA INSTALLÉE.



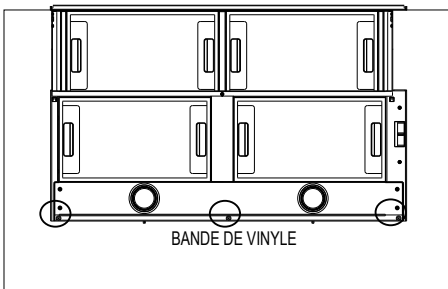
INSTALLER LA HOTTE

1. Retirez la hotte de la boîte et placez-la sur une surface plane. Recouvrez la surface pour éviter les dommages accidentels. Retirez toutes les pièces, incluant le registre antirefoulement, la grille de plastique et l'ensemble de la documentation avant de jeter la boîte. Retirez les filtres à graisse et mettez-les à part.
2. Placez le registre circulaire dans l'ouverture d'évacuation de la hotte et appuyez vers le bas.

3. La hotte est fixée à l'armoire à l'aide de deux brides à ressort, une de chaque côté de la hotte (FIGURE 6). Soulevez la hotte pour l'insérer dans l'ouverture pratiquée dans l'armoire. Prenez soin de ne pas endommager l'armoire, la hotte ou les autres appareils.



4. Les brides à ressort sont réglées pour s'adapter à une épaisseur entre $1/32''$ et $2/4''$. Si l'épaisseur du fond de l'armoire est inférieure à $1/32''$, les brides à ressort peuvent être enlevées et replacées à une position inférieure depuis le réglage supérieur vers le réglage inférieur, en retirant les quatre vis cruciformes.
5. Fixez la hotte à l'armoire en serrant les vis à l'aide d'un tournevis cruciforme.
6. Une bande de vinyle grise (FIGURE 7) est comprise pour recouvrir le bas de l'armoire qui reste exposé. Fixez la bande de vinyle grise au bas de l'arrière de la hotte à l'aide des trois vis fournies. Au besoin, cette bande peut être coupée pour être adaptée à la profondeur de l'armoire.



7

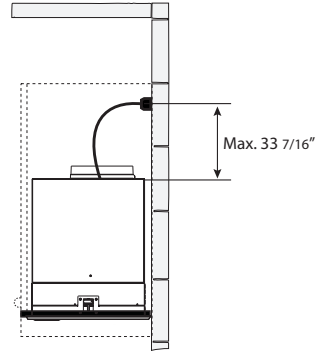
INSTALLATION ÉLECTRIQUE AVEC CÂBLE DE CONNEXION

INSTRUCTIONS DE MISE À LA TERRE Cet appareil doit être mis à la terre. La mise à la terre réduit le risque de choc électrique en cas de court-circuit, car elle fournit un fil d'évacuation au courant électrique. Cet appareil est muni d'un cordon présentant un fil de mise à la terre, avec une fiche de mise à la terre. La fiche doit être insérée dans une prise correctement installée et mise à la terre.

AVERTISSEMENT - Une mise à la terre inadéquate peut entraîner un choc électrique.

Consultez un électricien qualifié si vous ne comprenez pas parfaitement les instructions de mise à la terre ou si vous avez des doutes quant à la mise à la terre de l'appareil.

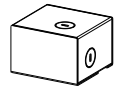
N'utilisez pas de rallonge. Si le cordon d'alimentation est trop court, demandez à un électricien qualifié d'installer une prise à proximité de l'appareil.



INSTALLATION ÉLECTRIQUE AVEC BOÎTIER DE CONNEXION EN OPTION

Pour une installation avec connexion fixe, utilisez uniquement la trousse de boîtier de connexion pour hotte indiquée, no d'article WIREBOX, fabriquée par Faber.

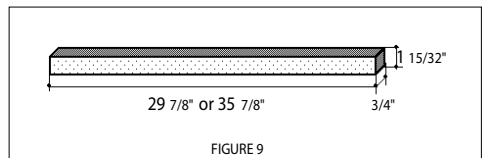
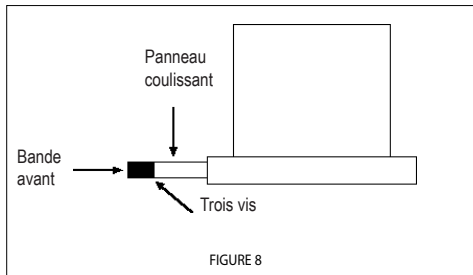
Boîtier de connexion directe,
no d'article WIREBOX
(acheté séparément)



GARNITURE AVANT EN OPTION

La nouvelle hotte Cristal est équipée d'une bande d'acier inoxydable installée. Des bandes en option, de couleur noire ou blanche, peuvent être achetées. Pour modifier la bande avant, enlevez les trois vis cruciformes situées derrière la bande (FIGURE 8). Au besoin, la bande avant peut-être réglée en desserrant les trois vis cruciformes et en faisant glisser la bande) vers le haut ou vers le bas. Serrez les vis lorsque la bande est placée correctement.

Pour une bande avant personnalisée, il est aussi possible de s'adresser à une boutique spécialisée dans la vente d'armoires pour obtenir une bande coordonnée à vos armoires. Les dimensions de la bande avant sont indiquées sur la FIGURE 9.



INFORMATIONS POUR L'UTILISATION ET L'ENTRETIEN

Pour de meilleurs résultats

Activez la hotte quelques minutes avant de commencer à cuisiner pour créer un flux d'air adéquat. Laissez la hotte fonctionner quelques minutes après avoir fini de cuisiner pour absorber toute la fumée et les odeurs de la cuisine.

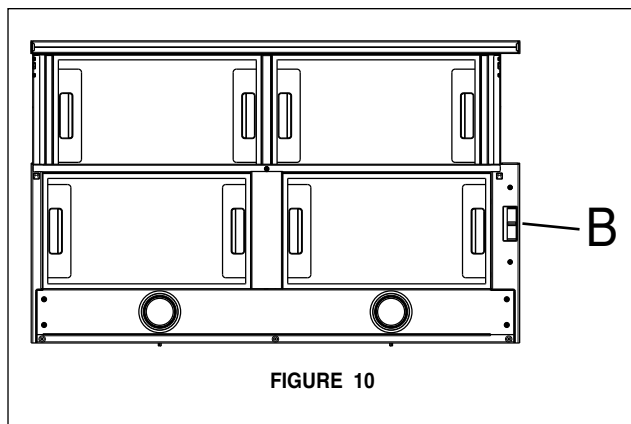


FIGURE 10

Panneau de commande de la hotte

Toutes les commandes sont situées sur le côté droit de la hotte.

Interrupteur d'éclairage

L'interrupteur de l'éclairage halogène se trouve derrière la garniture avant. Placer l'interrupteur à la position 1 pour allumer l'éclairage. Placer l'interrupteur à la position 0 pour éteindre l'éclairage.

Commutateur de réglage de vitesse du ventilateur

B sur la FIGURE 10 représente le commutateur de réglage de vitesse du ventilateur. Placer le commutateur à la position 1 pour allumer le ventilateur à la vitesse RÉDUITE. Placer le commutateur à la position 2 pour allumer le ventilateur à la vitesse MOYENNE. Placer le commutateur à la position 3 pour allumer le ventilateur à la vitesse ÉLEVÉE. Placer l'interrupteur à la position 0 pour éteindre le ventilateur.

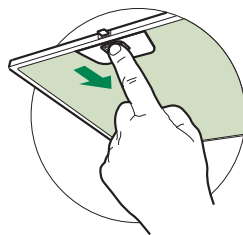
Fonctionnement automatique

Si le commutateur du ventilateur et l'interrupteur de l'éclairage sont allumés, le ventilateur et l'éclairage sont activés automatiquement quand le panneau coulissant est ouvert, et ils sont désactivés quand le panneau coulissant est fermé.

Nettoyage des filtres à graisse métalliques

Les filtres à graisse métalliques peuvent être lavés dans une solution d'eau chaude savonneuse ou dans le lave-vaisselle. Ils devraient être nettoyés tous les 2 mois d'utilisation, ou plus fréquemment en cas d'utilisation particulièrement intensive.

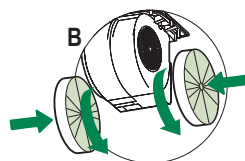
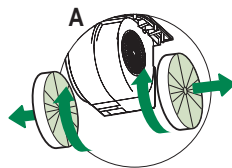
- Ouvrez le panneau coulissant en le tirant.
- Retirez le filtre, en poussant simultanément le levier vers l'arrière de l'appareil et en le tirant vers le bas.
- Lavez le filtre sans le plier. Laissez-le sécher complètement avant de le réinstaller (un changement de la couleur à la surface du filtre au fil du temps n'a aucun impact sur son efficacité).
- Remettez-le en place, en vous assurant que la poignée se trouve vers l'avant.
- Le lave-vaisselle pourrait ternir la fini du filtre à graisse métallique.
- Fermez le panneau coulissant.



Remplacement du filtre à charbon actif

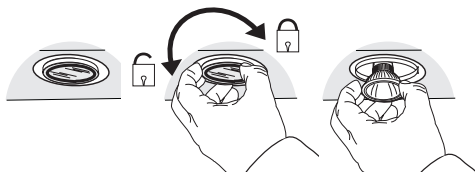
Les filtres à charbon actif ne sont pas lavables et ne peuvent être régénérés. Ils doivent être remplacés environ tous les 4 mois d'utilisation, ou plus souvent en cas d'utilisation intensive.

- Ouvrez le panneau coulissant en le tirant.
- Retirez le filtre, en le poussant simultanément vers l'arrière de l'appareil et en le tirant vers le bas.
- Retirez les filtres à charbon actif saturés comme indiqué (A).
- Posez les nouveaux filtres, comme indiqué (B).
- Remettez-les en place, en vous assurant que la poignée se trouve vers l'avant.
- Fermez le panneau coulissant.



Système d'éclairage

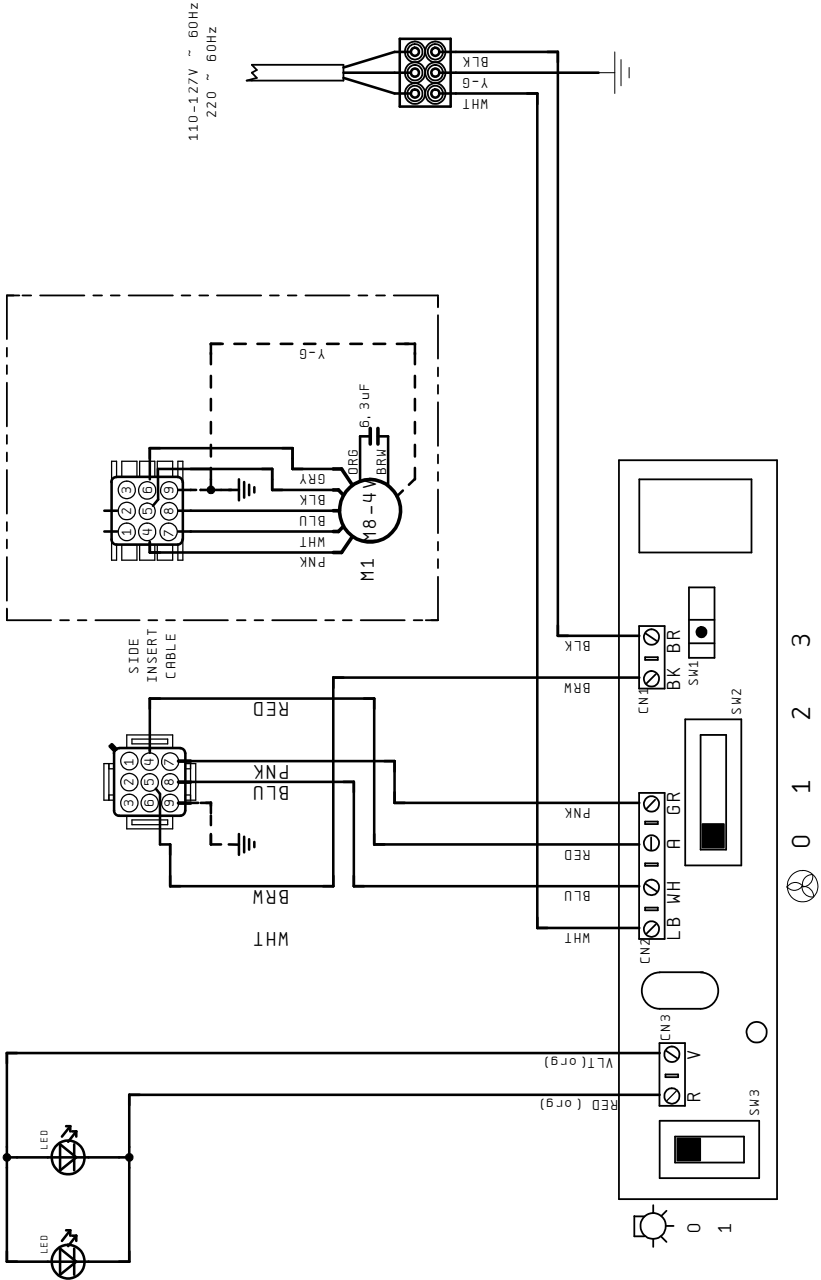
- Coupez l'alimentation électrique avant de remplacer les ampoules et assurez-vous qu'elles sont froides au toucher avant de commencer.
- Retirez l'ampoule de la base. Faites tourner légèrement vers la gauche et retirez-la du socle.
- Remplacez l'ampoule avec une nouvelle du même type, en vous assurant d'insérer correctement les deux connecteurs dans leur logement sur le socle.
- Lorsque les connecteurs de l'ampoule sont en place, faites tourner légèrement vers la droite pour verrouiller.



Lampes DEL à ballast intégré de type Gu10 – répondant à la norme UL 1993/nmx-j-578/1-ance/ csa c22.2 No 1993



Schéma de câblage





GARANTIE LIMITÉE ET SERVICE FABER

Tous les produits Faber font l'objet d'une garantie contre les défauts de matériel et de main-d'œuvre, accordée à l'acheteur original pour une période d'un (1) an à compter de la date d'achat initiale (preuve d'achat requise). Cette garantie couvre les frais de main-d'œuvre et les pièces de rechange. À sa discrétion, Faber peut réparer ou remplacer le produit ou les composants nécessaires à remettre le produit en bon état de marche. Pour bénéficier de services prévus par la garantie, veuillez communiquer avec le détaillant auprès duquel vous avez acheté la hotte de cuisine, ou encore avec le distributeur Faber de votre région. Si vous n'êtes pas en mesure de localiser un distributeur Faber dans votre région, veuillez communiquer avec nous au 508-358-5353 pour connaître le nom d'un distributeur à proximité.

Les éléments suivants ne sont pas visés par la garantie Faber :

1. Les appels au service de réparation visant à corriger l'installation de la hotte de cuisine, à recevoir des instructions sur l'utilisation de la hotte de cuisine, le remplacement ou la réparation des fusibles du domicile ou la correction des câblages ou de la plomberie du domicile.
2. Les appels au service de réparation visant à réparer ou remplacer les ampoules électriques de hotte, les fusibles ou les filtres. Ces pièces consommables ne sont pas couvertes par la garantie.
3. Les réparations si votre hotte de cuisine est employée à des fins autres que celles prévues, soit l'utilisation résidentielle normale pour une famille.
4. Les dommages découlant d'un accident, d'une modification, de l'utilisation incorrecte ou abusive, d'un incendie, d'une inondation, d'un cas de force majeure, d'une installation inadéquate, d'une installation non conforme aux codes en matière d'électricité ou de plomberie ou à la documentation fournie par Faber, ou encore d'une utilisation du produit non approuvée par Faber.
5. Les frais de main-d'œuvre ou de remplacement des pièces pour les appareils utilisés à l'extérieur des États-Unis ou du Canada, y compris toutes les hottes de cuisine Faber non-UL ou C-UL homologuées.
6. Les réparations à la hotte découlant de modifications non autorisées apportées à la hotte de cuisine.
7. Les frais encourus pour les déplacements et le transport de produits en région éloignée et les frais de cueillette et livraison. La réparation des hottes de cuisine Faber doit être réalisée à domicile.

LA PRÉSENTE GARANTIE NE PRÉVOIT AUCUNE FORME DE DÉDOMMAGEMENT EN CAS DE DOMMAGES ACCESSOIRES OU CONSÉCUTIFS, Y COMPRIS, SANS TOUTEFOIS S'Y LIMITER, LES DOMMAGES DIRECTS, INDIRECTS, ACCESSOIRES, PARTICULIERS OU CONSÉCUTIFS, LES LÉSIONS CORPORELLES/MORTELLES OU LA PERTE DE PROFITS. LA GARANTIE OFFERTE PAR FABER EST LIMITÉE AUX CONDITIONS ÉNONCÉES CI-DESSUS ET À LA PÉRIODE DE GARANTIE INDIQUÉE DANS LES PRÉSENTES ET EST EXCLUSIVE. SAUF DISPOSITIONS EXPRESSES CONTRAIRES DANS LE PRÉSENT ACCORD, FABER DÉCLINE TOUTE CONDITION, REPRÉSENTATION OU GARANTIE EXPLICITE OU IMPLICITE, Y COMPRIS, SANS TOUTEFOIS S'Y LIMITER, TOUTE GARANTIE IMPLICITE DE QUALITÉ MARCHANDE OU D'ADAPTATION À UN USAGE PARTICULIER.

Les droits qui vous sont conférés en vertu de la présente garantie peuvent varier d'une province ou d'un État à l'autre.

N° de modèle : _____

N° de série : _____

4 janvier 2016

LEA Y GUARDE ESTAS INSTRUCCIONES ANTES DE EMPEZAR LA INSTALACIÓN DE ESTA CAMPANA

ADVERTENCIA: - PARA REDUCIR EL RIESGO DE INCENDIO DE GRASA:

- A) Nunca deje las unidades de superficie desatendidas en los ajustes altos. Los derrames por ebullición pueden causar humos y derrames de grasa que pueden encenderse. Caliente los aceites lentamente en un ajuste bajo o medio.
- B) Siempre encienda la campana cuando cocine a fuego alto o al flambear alimentos (por ejemplo, Crepes Suzette, Cherries Jubilee, Peppercorn Beef Flambé).
- C) Limpie los ventiladores frecuentemente. No se debe permitir que la grasa se acumule en el ventilador o en el filtro.
- D) Utilice una cacerola de tamaño adecuado. Utilice siempre utensilios de cocina apropiados para el tamaño del elemento de superficie.

ADVERTENCIA: - PARA REDUCIR EL RIESGO DE LESIONES A PERSONAS EN CASO DE INCENDIO DE GRASA EN LA CAMPANA, TENGA EN CUENTA LO SIGUIENTE*:

- A) **APAGUE LAS LLAMAS** con una tapa bien cerrada, una bandeja para galletas o una bandeja metálica, luego apague el quemador. **TENGA CUIDADO PARA EVITAR QUEMADURAS.** Si las llamas no salen inmediatamente **EVACUE Y LLAME A LOS BOMBEROS.**
- B) **NUNCA RECOGER UNA CACEROLA EN LLAMAS** - Usted puede ser quemado.
- C) **NO USE AGUA**, incluyendo toallas húmedas o toallas - se pudiera producir una violenta explosión de vapor.
- D) Use un extintor **SOLAMENTE** si:
 - 1. Usted sabe que usted tiene un extintor de la clase ABC, y sabe ya utilizarlo.
 - 2. El incendio es pequeño y está contenido en el área donde comenzó.
 - 3. Se está llamando a los bomberos.
 - 4. Usted puede luchar el fuego con la espalda dirigida hacia una salida.

* Basado en "Consejos para luchas contra los incendios en las cocinas" publicado por NFPA

ADVERTENCIA - PARA REDUCIR EL RIESGO DE DESCARGAS ELÉCTRICAS O INCENDIOS, no use este ventilador con ningún dispositivo de control de velocidad de estado.

ADVERTENCIA - PARA REDUCIR EL RIESGO DE INCENDIOS, DESCARGAS ELÉCTRICAS O LESIONES PERSONALES, OBSERVE LO SIGUIENTE:

- 1. Utilice esta unidad sólo en la forma prevista por el fabricante. Si tiene alguna pregunta, póngase en contacto con el fabricante.
- 2. Antes de dar servicio o limpiar la unidad, desconecte la alimentación del panel de servicio y bloquee los medios de desconexión del servicio para evitar que la alimentación se conecte accidentalmente. Cuando los medios de desconexión del servicio no puedan ser bloqueados, fije firmemente un dispositivo de aviso prominente, tal como una etiqueta, al panel de servicio.

PRECAUCIÓN: Para uso general de ventilación solamente. No utilizar para el escape de materiales peligrosos o explosivos y vapores.

ADVERTENCIA - PARA REDUCIR EL RIESGO DE INCENDIOS, DESCARGAS ELÉCTRICAS O LESIONES PERSONALES, OBSERVE LO SIGUIENTE:

- 1. La instalación y el cableado eléctrico deben ser hechos por personal calificado de acuerdo con todos los códigos y estándares aplicables, incluyendo la construcción según normas anti-incendio.
- 2. Se necesita suficiente aire para la combustión y el agotamiento adecuados de los gases a través de la chimenea del equipo de combustión de combustible para evitar el contraflujo. Siga las directrices del fabricante del equipo de calefacción y las normas de seguridad tales como los publicados por la National Fire Protection Association (NFPA), la American Society for Heating, Refrigeration and Air Conditioning Engineers (ASHRAE) y las autoridades de los códigos locales.

- 3. Al cortar o perforar la pared o el techo, no dañe el cableado eléctrico ni otros servicios ocultos.**
- 4. Los ventiladores con conductos siempre deben tener salida al exterior.**

TODAS LAS ABERTURAS DE LA PARED Y EL PISO DONDE ESTÁ INSTALADA LA CAMPANA SE DEBEN SELLAR.

Esta campana requiere por lo menos 24 "de espacio libre entre el fondo de la campana y la superficie de cocción o encimera. Esta campana ha sido aprobada por UL a esta distancia del plano de cocción.

Esta distancia mínima puede ser mayor dependiendo de los códigos de construcción locales. Para los planos de cocción de gas y las cocinas combinadas, se recomienda y puede ser necesario un mínimo de 30".

Los gabinetes de arriba a ambos lados de esta unidad deben estar a un mínimo de 18" por encima de la superficie de cocción o encimera. Consulte las instrucciones de instalación del plano de cocción o de la cocina dadas por el fabricante antes de realizar cualquier recorte. **INSTALACION EN CASA MOVIL** La instalación de esta campana debe cumplir con las Normas de Construcción y Seguridad de Viviendas Manufacturadas, Título 24 CFR, Parte 3280 (anteriormente Normal Federal para la Construcción y seguridad de las Viviendas Móviles, Título 24, HUD, parte 280). Vea Requisitos eléctricos.

REQUISITOS DE VENTILACIÓN

Determine qué método de ventilación es mejor para su aplicación. Los conductos pueden extenderse a través de la pared o el techo.

La longitud de los conductos y la cantidad de codos se deben mantener al mínimo para proporcionar un rendimiento eficiente. El tamaño de los conductos debe ser uniforme. No instale dos codos juntos. Use cinta adhesiva para sellar todas las juntas en el sistema de conductos. Use masilla para sellar la pared exterior o la abertura del piso alrededor de la tapa.

NO se recomiendan conductos flexibles. Los conductos flexibles crean una contrapresión y turbulencias de aire que reducen en gran medida el rendimiento.

Asegúrese de que haya espacio libre adecuado dentro de la pared o el piso para el conducto de escape antes de hacer los cortes. No corte una viga o un poste a menos que sea absolutamente necesario. Si se debe cortar una vigueta o poste, entonces se debe construir un marco de soporte.

ADVERTENCIA - Para reducir el riesgo de incendio, use solamente conductos de metal.

PRECAUCIÓN - Para reducir el riesgo de incendio y para descargar adecuadamente el aire, asegúrese de sacar el aire - No expulse los humos en espacios dentro de paredes o techos, áticos, espacios angostos o garajes.



ADVERTENCIA

- El sistema de ventilación DEBE terminar fuera del hogar.
- **NO** termine el conducto en un espacio ático o en otro espacio cerrado.
- **NO** use tapas de pared de tipo colada de 4".
- **NO** se recomiendan conductos flexibles.
- **NO** obstruya el flujo de aire de combustión y ventilación.
- El incumplimiento de los requisitos de ventilación puede provocar un incendio.



ADVERTENCIA

- Esta campana requiere conexión eléctrica de tierra.
- Si la tubería de agua fría está interrumpida por juntas de plástico, de materiales no metálicos u otros materiales, NO la utilice para conexión a tierra.
- NO conecte a tierra a una tubería de gas.
- NO tenga un fusible en el circuito neutro o de tierra. Un fusible en el circuito neutro o de tierra podría provocar una descarga eléctrica.
- Consulte con un electricista calificado si tiene dudas acerca de si la campana está correctamente conectada a tierra.
- El incumplimiento de los requisitos eléctricos puede provocar un incendio.

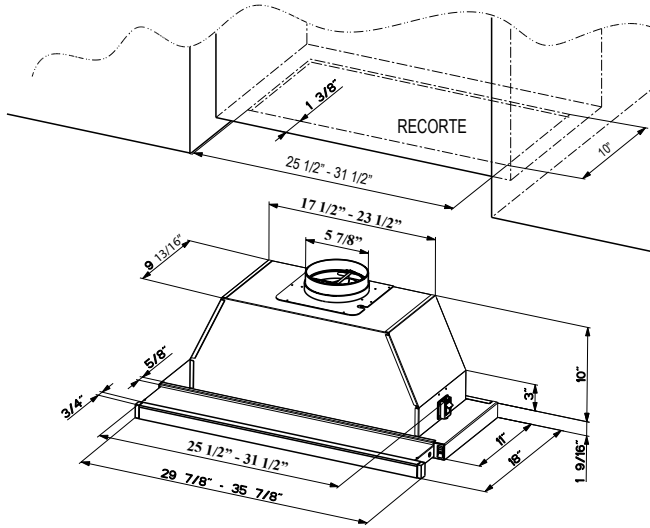
Advertencia de la Propuesta 65 del Estado de California (solo EE. UU.)

ATENCIÓN

Este producto contiene productos químicos que el estado de California reconoce como causantes de cáncer y defectos de nacimiento u otros daños reproductivos.

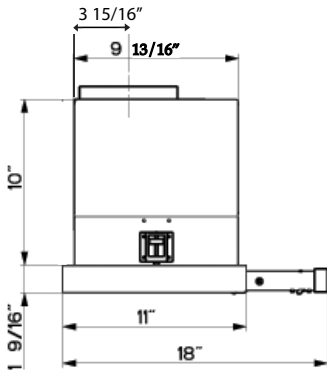
Para obtener más información, visite www.P65Warnings.ca.gov

DIMENSIONES DE CRISTAL HC

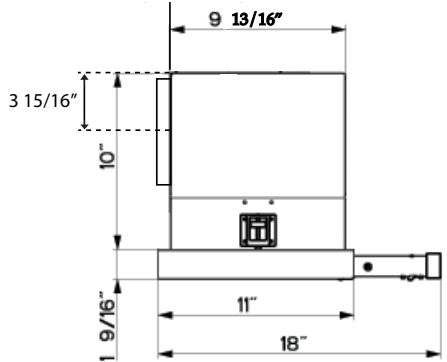


Planificación previa de su instalación - Importante: La altura recomendada para instalar esta campana arriba de la encimera es de un mínimo de 24" y un máximo de 30" para una eficacia máxima. También consulte la recomendación del fabricante de la encimera. NOTA: Si hay ventilación trasera directa, utilice el diagrama dimensional lateral de abajo a la derecha. Para la ventilación superior (en esta posición viene de serie), utilice el diagrama dimensional izquierdo. Consulte la página 5 para obtener instrucciones sobre la ventilación trasera directa.

DIMENSIONES LATERALES DE CRISTAL HC (VENTILACIÓN SUPERIOR - ESTÁNDAR)



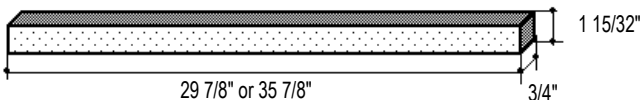
DIMENSIONES LATERALES DE CRISTAL HC (OPCIÓN DE VENTILACIÓN TRASERA DIRECTA)



OPCIONES DE MOLDURA DELANTERA

Cristal HC tiene una tira de acero inoxidable instalada. Existen kits opcionales de color blanco y negro para su compra. Para tener una tira delantera personalizada, puede contactar con una tienda de armarios local que puede hacer una tira compatible con sus armarios.

DIMENSIONES DE LA TIRA DELANTERA PERSONALIZADA.



PLANEAR EL CONDUCTO

HERRAMIENTAS NECESARIAS PARA LA INSTALACIÓN

- Sierra de sable o sierra de calar
- Taladro
- Broca de madera de 1 1/4 "
- Alicates
- Destornillador Phillips
- Pelacables o cuchillo de uso general
- Tijeras de metal
- Cinta métrica o regla
- Nivel
- Lápiz
- Pistola de calafateo
- Cinta adhesiva

PIEZAS SUMINISTRADAS PARA LA INSTALACIÓN

- 1 Amortiguador de contraflujo
- 1 Rejilla de ventilación (sólo para instalaciones de recirculación)
- 1 Moldura de vinilo
- 1 Paquete de literatura

PIEZAS NECESARIAS PARA LA INSTALACIÓN

- 2 Conectores de conducto
- Cable de suministro de energía
- 1 Tapa de pared o techo
- Todos los conductos metálicos

La gama de campanas deslizantes Cristal HC está diseñada para ofrecer una amplia flexibilidad de instalación. La campana puede ser canalizada vertical u horizontalmente a través de una ventilación redonda de 6". La unidad también se puede instalar en una configuración de recirculación. La unidad viene de serie en la posición de ventilación superior. Las FIGURAS 1 y 2 muestran instalaciones verticales y horizontales para esta unidad. La FIGURA 3 muestra la instalación de recirculación.

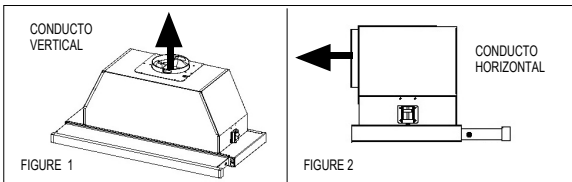
La Cristal HC requiere conductos redondos de 6". Para asegurar que el ventilador funcione al máximo de su capacidad, los conductos deben ser tan cortos y rectos como sea posible.

Para un rendimiento satisfactorio, el recorrido del conducto no debe exceder los 50 pies equivalentes si se conducen utilizando el conducto redondo mínimo requerido de 6".

En la figura A se indican los pies equivalentes para cada pieza de conducto en el sistema. Un ejemplo se da en la FIGURA B. Para mejores resultados, no use más de tres codos de 90°. Asegúrese de que haya un mínimo de 24" de conducto recto entre los codos si se usa más de uno. No instales dos codos juntos. Si debe colocar el codo inmediatamente, hágalo tan lejos de la abertura de escape de la campana como sea posible.

45° Codo	3.0 pies
90° Codo	5.0 pies
90° Codo plano	12.0 pies
Tapa de pared	0.0 pies
FIGURE A	

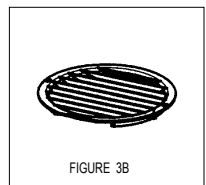
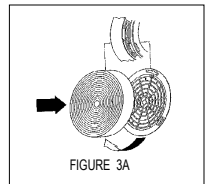
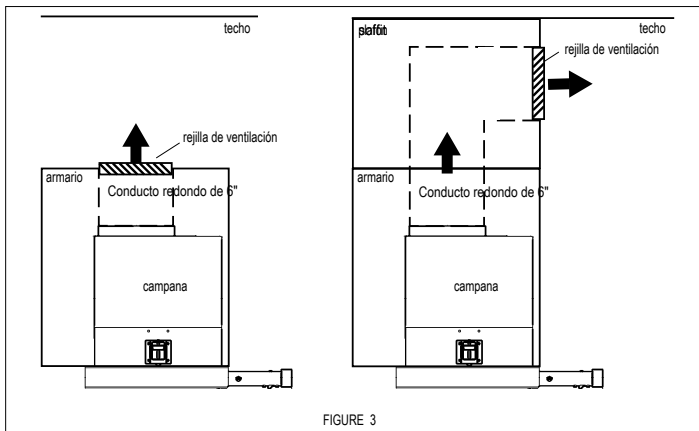
9 pies de conducto recto	9.0 pies
2 - 90° Codos	10.0 pies
Tapa de pared	0.0 pies
Sistema total	19.0 pies
FIGURE B	



Para la ventilación trasera directa (FIGURA 2), debe cambiar la posición del ventilador. Retire los 12 tornillos que sujetan la carcasa de metal al cuerpo de la campana. Retire los 4 tornillos que sujetan la carcasa del ventilador a la carcasa de metal. Gire el soplador 90 grados hacia la parte posterior y luego gírelo 180 grados. Asegúrese de que el cable de alimentación esté colocado correctamente. Reemplace todos los tornillos, asegurándose de que estén firmemente sujetos.

INSTALACIONES DE RECIRCULACIÓN

Para las instalaciones de recirculación (FIGURA 3), se necesitan filtros de carbón. Retire los cuatro filtros de grasa y reserve. Conecte un filtro de carbón a cada extremo del soplador. Cada filtro de carbón se conecta a la rejilla negra en el costado del ventilador. Gire el filtro en el sentido horario para instalarlo y en sentido antihorario para extraerlo (FIGURA 3A). Reemplace los cuatro filtros de grasa. Algunos conductos deben ser instalados para que la campana extraíble vuelva a la cocina, ya sea en la parte superior del gabinete o en la cara del techo. Para cubrir la abertura del conducto se puede utilizar una rejilla de ventilación de plástico (FIGURA 3B) suministrada con la campana. Este trabajo de conductos no debe terminar en un espacio de aire muerto.



Version 06/14 - Page 5

ACCESORIOS OPCIONALES PARA LA COMPRA POR SEPARADO ACCESORIOS

- **Filtros de carbón**

Para instalaciones sin ventilación solamente, reemplace los filtros de carbón según sea necesario parte # FILTER1 - # FILTER1LL

- **Kit reductor de CFM**

Para reducir la cfm a menos de 300 cfm para uso en ambientes de aire de reposición parte # CFMRED

- **Amortiguador de aire de reposición universal 6".**

Devuelve el aire fresco a la casa a través de un amortiguador automático cuando la campana está encendida #MUDAMPER6

- **Kits de molduras frontales**

Reemplace el acabado inoxidable de la cubierta corredera con un acabado blanco o negro (disponible en 30" ó 36").

CRTRIM30WH (30" blanco)

CRTRIM30BK (30" negro)

CRTRIM36WH (36" blanco)

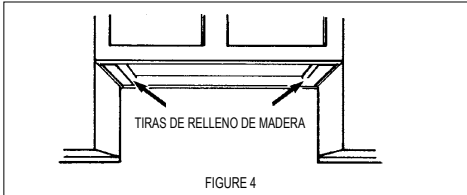
CRTRIM36BK (36" negro)

PREPARAR EL ARMARIO

1. Desconecte y mueva el rango independiente de la apertura del armario para facilitar el acceso al armario superior y a la pared posterior. Coloque una cubierta gruesa y protectora sobre las encimeras de cocción, los rangos de ajuste o las encimeras para protegerlas de daños o suciedad.

2. Determine y marque claramente con un lápiz la línea central del armario en la pared y en la parte inferior del armario, donde se instalará la campana.

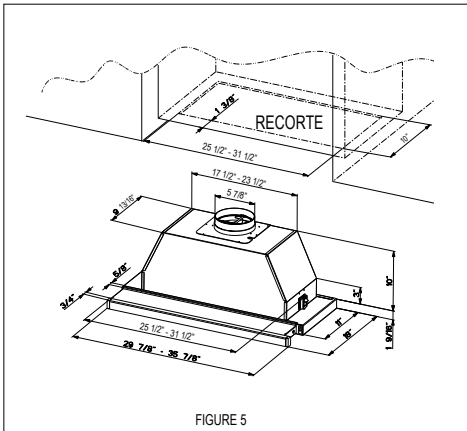
3. Si el fondo del armario está empotrado, se deben instalar bloques de madera para asegurar una alineación apropiada con el fondo del armario. Los bloques de madera deben estar a ras o empotrados de $1/16"$ a $1/8"$ dentro de la parte inferior del armario como se indica en la FIGURA 4.



4. Determine los recortes apropiados para los conductos. Haga todos los cortes necesarios en las paredes o armario para los conductos. Instale la red de conductos antes de montar la campana.

5. Determine y realice el corte adecuado para el cable de alimentación. Utilice una broca de $1\ 1/4"$ para hacer este agujero. Pase el cable de suministro de energía a través de la pared o el armario. NO encienda la unidad hasta que se haya completado la instalación. Use la masilla para sellar alrededor de la abertura del cable.

HAGA LA ABERTURA DE RECORTE (FIGURA 5) DONDE SE INSTALARÁ LA CAMPANA.

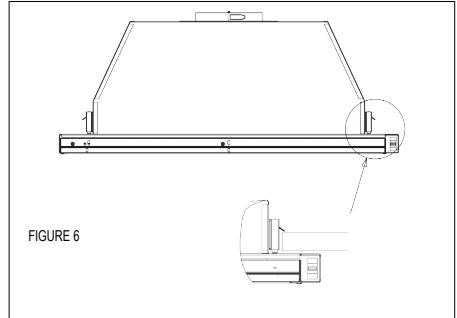


INSTALE LA CAMPANA

1. Retire la tapa protectora de la campana y colóquela sobre una superficie plana. Cubra la superficie para evitar daños accidentales. Retire todas las piezas, incluyendo el amortiguador de contraflujos, la rejilla de plástico y el paquete de documentación antes de desechar el cartón. Retirar los filtros de grasa y déjelos a un lado.

2. Coloque el amortiguador redondo en la abertura de escape de la campana y presione hacia abajo.

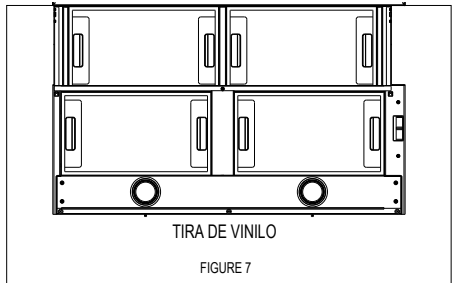
3. La campana se monta en el armario por medio de dos soportes cargados con resortes, uno a cada lado de la campana (FIGURA 6). Levante la campana hasta la abertura de corte en el armario. Tenga cuidado de no dañar el gabinete, ni a campana u otros dispositivos.



4. Los soportes cargados por resorte se ajustan en fábrica para acomodar un grosor entre $1\ 3/16"$ y $2\ 1/4"$. Si el fondo de su armario tiene un grosor inferior a $1\ 3/16"$, los soportes cargados por resorte se pueden retirar y repositionar desde el ajuste superior hasta el ajuste inferior quitando los cuatro tornillos phillips.

5. Apriete la campana al armario girando los tornillos con un destornillador phillips.

6. Se incluye una tira de vinilo gris (FIGURA 7) para cubrir la parte inferior de cualquier armario expuesto restante. Coloque la tira de vinilo gris en la parte inferior trasera de la campana con los tres tornillos provistos. Si es necesario, la tira se puede cortar para adaptarse a la profundidad del armario.



7

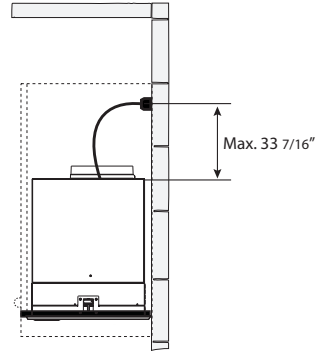
INSTALACIÓN ELÉCTRICA CON CABLE DE CONEXIÓN

INSTRUCCIONES DE CONEXIÓN A TIERRA Este aparato debe estar conectado a tierra. En el caso de un cortocircuito eléctrico, la conexión a tierra reduce el riesgo de descarga eléctrica al proporcionar un cable de escape para la corriente eléctrica. Este equipo está provisto de un cable que tiene un cable de conexión a tierra con un enchufe de conexión a tierra. El enchufe debe estar enchufado a un tomacorriente que esté instalado y conectado a tierra correctamente.

ADVERTENCIA: una conexión a tierra incorrecta puede provocar un riesgo de descarga eléctrica.

Consulte a un electricista calificado si las instrucciones de conexión a tierra no se comprenden completamente o si existe una duda acerca de si el equipo está correctamente conectado a tierra.

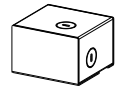
No utilice un cable de extensión. Si el cable de alimentación es demasiado corto, solicite a un electricista calificado que instale un tomacorriente cerca del dispositivo.



INSTALACIÓN ELÉCTRICA CON CAJA DE CABLEADO OPCIONAL

Para la instalación de cableado permanente: utilice solo con el kit de caja de cableado de la campana que se incluye sku # WIREBOX, fabricado por Faber.

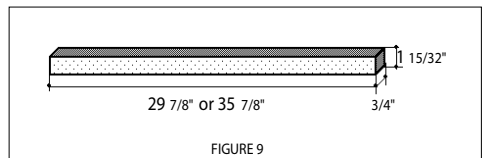
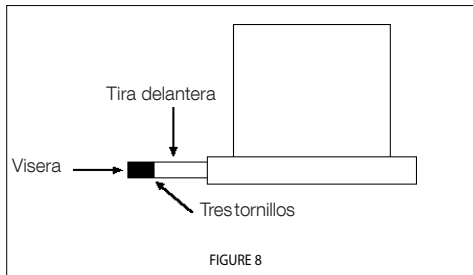
Accesorio de caja de cableado de conexión directa sku # WIREBOX (comprado por separado)



OPCIONES DE MOLDURA FRONTAL

New Cristal viene con una tira frontal de acero inoxidable instalada. Existen tiras blancas y negras opcionales disponibles como accesorios para la compra. Para cambiar la tira frontal, retire los tres tornillos Phillips situados detrás de la tira (FIGURA 8). Si es necesario, la tira frontal se puede ajustar aflojando los tres tornillos Phillips y deslizando la tira hacia arriba o hacia abajo. Apriete los tornillos cuando tenga la tira colocada correctamente.

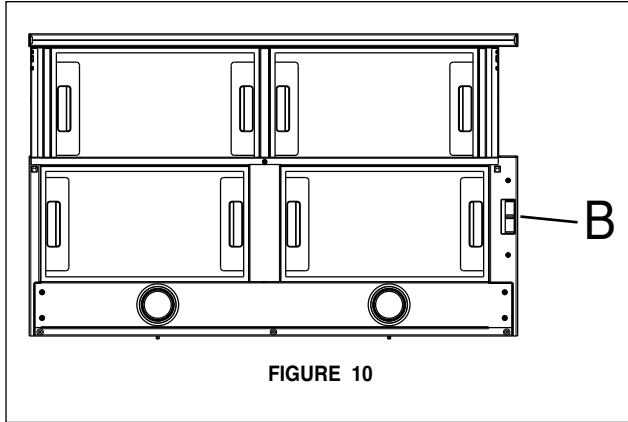
Para una tira frontal personalizada, una tienda local de gabinetes puede hacer una tira que combine con sus gabinetes. Las dimensiones de la tira frontal se dan en la FIGURA 9.



INFORMACIÓN DE USO Y CUIDADO

Para mejores resultados

Encienda la campana varios minutos antes de cocinar para desarrollar un flujo de aire adecuado. Deje que la campana funcione durante varios minutos después de que se complete la cocción para eliminar todo el humo y los olores de la cocina.



INFORMACIÓN DE USO Y CUIDADO

Panel de control de la campana

Todos los controles están ubicados en el lado derecho de la campana.

Interruptor de encendido / apagado de la luz

El interruptor de encendido / apagado de la luz halógena se encuentra detrás del borde delantero. Al mover el interruptor a la posición 1, se enciende la luz. Al mover el interruptor a la posición 0, se apaga la luz.

Interruptor de velocidad del ventilador

B en la FIGURA 10 muestra el interruptor de control de velocidad del ventilador. Al mover el interruptor a la posición 1, el ventilador se enciende en BAJO. Al mover el interruptor a la posición 2, el ventilador se enciende en MEDIO. Al mover el interruptor a la posición 3, el ventilador se enciende en ALTO. Al mover el interruptor a la posición 0, el ventilador se apague.

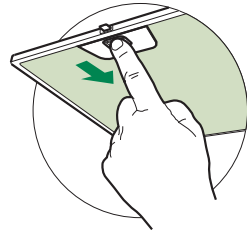
Operación automática

Mientras el ventilador y los interruptores de luz estén encendidos, el ventilador y la luz funcionarán automáticamente cuando se abra la visera y se apaga cuando la visera se cierre.

Limpeza de los filtros de grasa metálicos

Los filtros de grasa metálicos se pueden limpiar en solución de detergente caliente o lavarse en el lavavajillas. Se deben limpiar cada 2 meses de uso, o más frecuentemente si el uso es particularmente pesado.

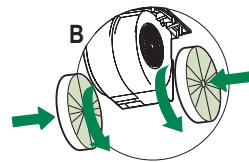
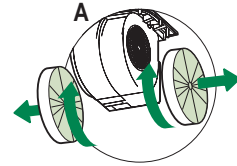
- Abra la visera tirando de ella.
- Retire el filtro, empujando la palanca hacia la parte posterior de la unidad y al mismo tiempo tirando hacia abajo.
- Lave el filtro sin doblarlo, deje que se seque completamente antes de reemplazarlo (si la superficie del filtro cambia de color con el tiempo, esto no tendrá ningún efecto sobre su eficiencia).
- Reemplace, asegurándose de que el asa esté orientada hacia adelante.
- La limpieza en el lavavajillas puede estropear el acabado del filtro de grasa metálico.
- Cierra la visera.



Reemplazo del filtro de carbón activado

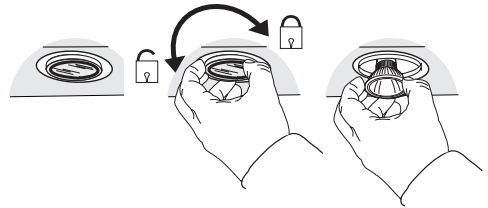
Los filtros de carbón activado no son lavables y no pueden ser regenerados, y deben ser reemplazados aproximadamente cada 4 meses de operación, o más frecuentemente con uso intensivo.

- Abra la visera tirando de ella.
- Retire el filtro, empujándolo hacia la parte posterior de la unidad y al mismo tiempo tirando hacia abajo.
- Retire los filtros saturados de carbón activado, como se indica (A).
- Coloque los nuevos filtros, como se indica (B).
- Reemplace, teniendo cuidado de asegurarse de que la manija mire hacia adelante.
- Cierra la visera.



Sistema de iluminación

- Apague el suministro eléctrico antes de reemplazar las bombillas, y asegúrese de que las bombillas estén frías al tacto antes de continuar.
- Retire la lámpara en la base, gírela ligeramente hacia la izquierda, extráigala del conector y gírela ligeramente hacia la izquierda.
- Reemplace la lámpara por una nueva del mismo tipo, asegurándose de insertar las dos clavijas correctamente en los alojamientos del portalámparas.
- Una vez que los pernos de la bombilla estén en su lugar, gire ligeramente hacia la derecha para asegurar.

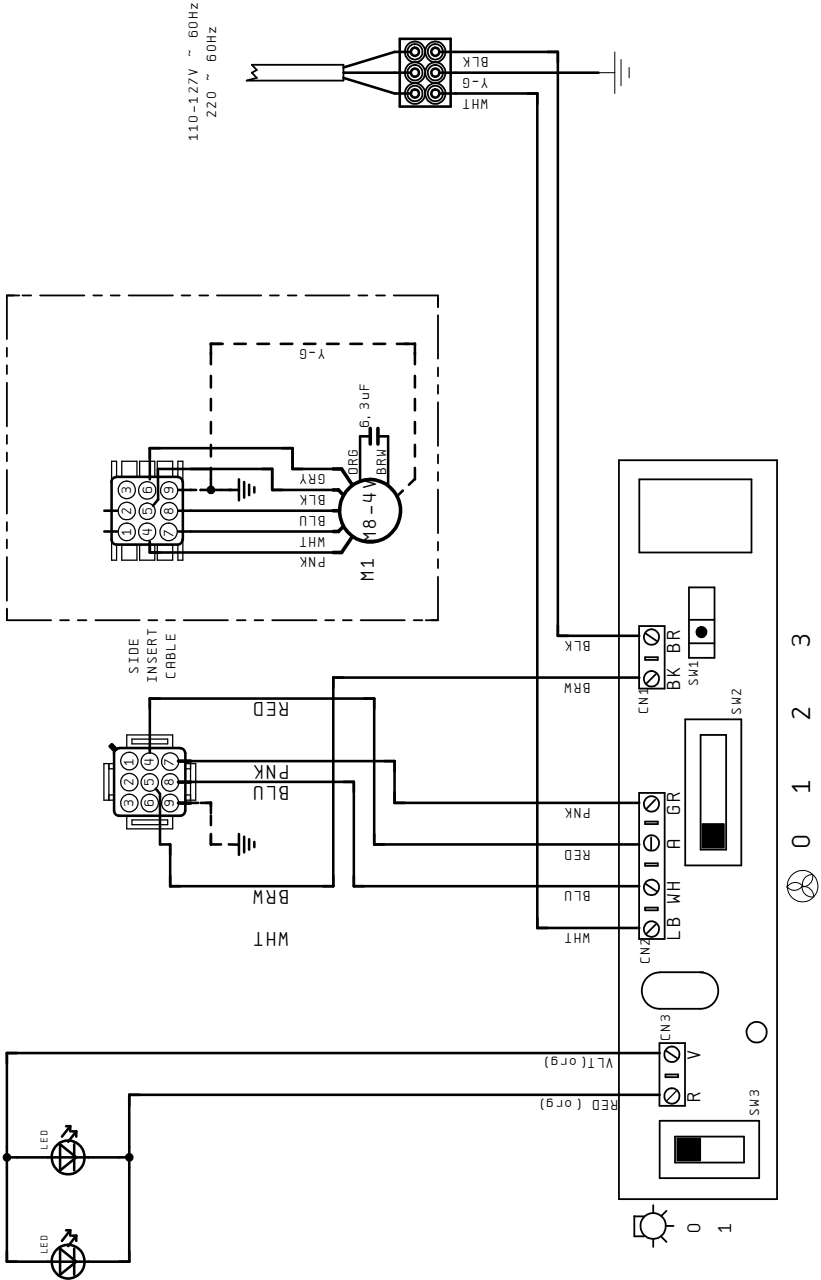


Lámparas LED de lastre integrado de tipo Gu10

- Cumple con
UL 1993 / nmx-
j-578/1-ance /
csa c22.2 No
1993



Diagrama de cableado



Esta garantía Aplica para USA y Canada



GARANTÍA Y SERVICIO AL CONSUMIDOR FABER

Todos los productos Faber están garantizados contra cualquier defecto de materiales o mano de obra para el comprador original por un período de 1 año a partir de la fecha de compra original (requiere prueba de compra). Esta garantía cubre mano de obra y piezas de repuesto. Faber, a su elección, puede reparar o reemplazar el producto o componentes necesarios para restaurar el producto en buenas condiciones de trabajo. Para obtener el servicio de garantía, póngase en contacto con el distribuidor de quien adquirió la campana extractora o con el distribuidor local de Faber. Si no puede identificar a un distribuidor local de Faber, comuníquese con nosotros al (508) 358-5353 para obtener el nombre de un distribuidor en su área.

Lo siguiente no está cubierto por la garantía de Faber:

1. Llamadas de servicio para corregir la instalación de su campana extractora, para instruirle sobre cómo usar su campana extractora, para reemplazar o reparar fusibles de la casa o para corregir el cableado de la casa o la plomería.
2. Llamadas de servicio para reparar o reemplazar las bombillas, fusibles o filtros de la campana extractora. Estas partes de consumibles están excluidas de la cobertura de la garantía.
3. Reparaciones, cuando su campana extractora se utiliza para uso doméstico distinto al normal.
4. Daños resultantes de accidente, alteración, mal uso, abuso, incendio, inundación, eventos naturales, instalación incorrecta, instalación no conforme a los códigos eléctricos o de plomería o la documentación de Faber, o uso de productos no aprobados por Faber.
5. Piezas de repuesto o costos de mano de obra de reparación para unidades operadas fuera de los Estados Unidos o Canadá, incluyendo cualquier campana de cocina Faber no aprobada por UL o C-UL.
6. Reparaciones a la campana resultantes de modificaciones no autorizadas a la misma.
7. Gastos de viaje y transporte para el servicio del producto en lugares remotos, y gastos de recogida y entrega. Las campanas de cocina Faber deben ser reparadas en el hogar.

ESTA GARANTÍA NO PERMITE LA RECUPERACIÓN DE DAÑOS INCIDENTALES O CONSECUENTES, INCLUYENDO, SIN LIMITACIÓN, DAÑOS DIRECTOS, INDIRECTOS, INCIDENTALES, ESPECIALES O CONSECUENTES, LESIONES PERSONALES O MUERTE INCORRECTA O BENEFICIOS PERDIDOS. LA GARANTÍA DE FABER SE LIMITA A LAS CONDICIONES ANTERIORES Y AL PERÍODO DE GARANTÍA ESPECIFICADO AQUÍ Y ES EXCLUSIVA. EXCEPTO DADO LO EXPRESAMENTE ESPECIFICADO EN ESTE ACUERDO, FABER RENUNCIA A TODAS LAS CONDICIONES, REPRESENTACIONES Y GARANTÍAS EXPRESAS O IMPLÍCITAS INCLUYENDO, SIN LIMITACIÓN, CUALQUIER GARANTÍA IMPLÍCITA DE COMERCIABILIDAD O ADECUACIÓN PARA UN PROPÓSITO PARTICULAR.

Esta garantía le otorga derechos legales específicos que pueden variar de estado a estado.

Modelo: _____ Número de serie _____

