

CRISTAL SS SLIDE OUT RANGE HOOD



POWERFUL, PRACTICAL, EFFICIENT SLIDE OUT RANGE HOOD. For a streamlined look in the kitchen, the Cristal SS slide out hood is your integrated choice with a Stainless Steel pull-out visor which slides in, neatly tucking the hood away. For total integration, the front visor panel can be replaced with material to match your cabinets. NEW - WITH ENERGY EFFICIENT LED LIGHTS AND A CONVENIENT POWER PLUG

**NOW WITH LED
BULBS AND POWER
PLUG
600, 400, 300 CFM
versions**

**Now with a Black Stainless
Trim Kit!**

AVAILABLE MODELS

Model #	Size / Color	Motor Class (CFM)	Sound Levels (sones)
CRIS30SS600	30 SS	600	3.5 - 6.5
CRIS36SS600	36 SS	600	3.5 - 6.5
CRIS30SS400	30 SS	400	3.0 - 6.0
CRIS36SS400	36 SS	400	3.0 - 6.0
CRIS30SS300	30 SS	300	2.0 - 5.0
CRIS36SS300	36 SS	300	2.0 - 5.0

KEY FEATURES



Auto on/off with pull out visor

Lights and fan turn on automatically when you slide the hood visor out.



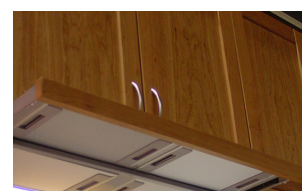
VariDuct System

Top and Rear Direct Venting
Easy kitchen integration with top and direct rear venting and recirculation options.



EasySnap Mounting Clips

Installation with easy built-in adjustable clips that tighten onto the sides of the cabinet floor.



Fully Customizable Front Trim

Front visor trim can easily be integrated into your kitchen decor with accessory kit panels or fully customize for your own kitchen.

CRISTAL SS

SLIDE OUT RANGE HOOD

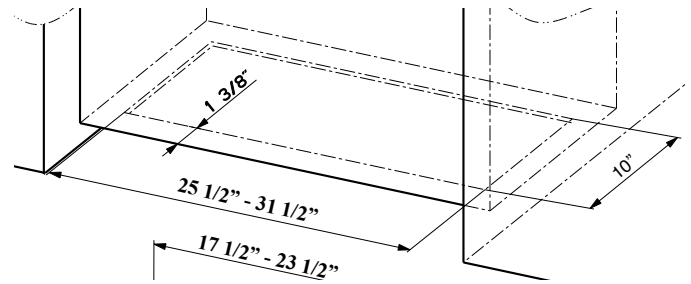
FABER

AIR MATTERS

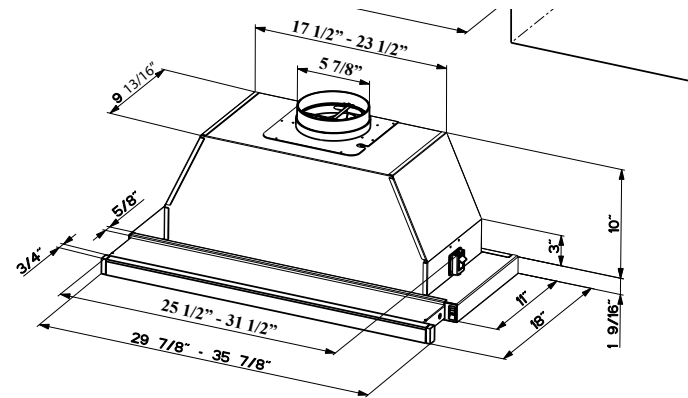
SPECIFICATIONS

cabinet cut out	25 1/2" or 31 1/2" (W) x 10" (D)
convertible to ductless / recirculating	yes - with Filter1 & Filter1LL
controls	3 speed slider
lighting	2 x 3 (w) LED (NEW)
ducting top / direct rear vent (Vari-Duct)	6" round
grease filters	4 dishwasher safe mesh filters
auto on/off	yes - fan/lights turn on when pulled out
stainless steel front panel	yes
make up air compliant *	yes - 400 OR 300 cfm version option
integrate front panel	yes - use your own custom front
built in mounting hardware	yes -easy snap mounting clips
power cord included	yes (NEW)
AC input / AC power	120V-60z / max 370 W at 3.1 A

DIMENSIONS



Cabinet Cut Out 30" and 36"



Front View

PERFORMANCE

SPEED	1	2	3
CFM	335	450	560
Sones	3.5	5.0	6.5

ACCESSORIES

FILTER1 - Charcoal Filter Kit

High quality charcoal filter for use when recirculating the air back into the kitchen. Filters out odor and should be replaced every 6 months or earlier depending on use

FILTER1LL - Long Lasting Charcoal Filter Kit

New washable charcoal filter can be recharged and washed up to 8 times. For use when recirculating the air back into the kitchen. Filters out odor and can last up to 4 years

MUDAMPER6 / MUDAMPER8 - Universal Make-Up Air Damper

Satisfies make-up air requirements, this kit uses an air switch to activate the make-up air damper to open and bring fresh air into the home when the hood fan is on. It then closes tightly when the hood is off. The CFM level is not reduced with this accessory.

CRTRIM30WH - (30" white)

CRTRIM30BK - (30" black)

CRTRIM36WH - (30" white)

CRTRIM36BK - (30" black)

Front Trim Kit

Replace the stainless trim on the slide out hood with a black or white trim.

CRTRIM30BS - (30" black)

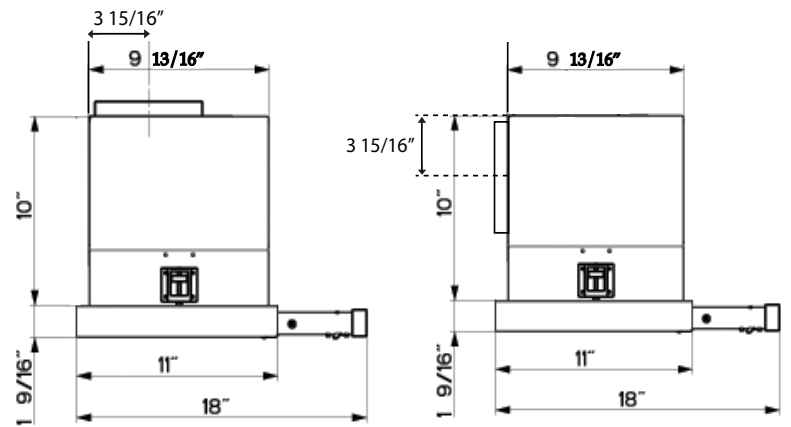
Black Stainless Front Trim Kit

CRTRIM36BS - (36" black)

Black Stainless Front Trim Kit

WIREBOX - Fixed Wiring Box

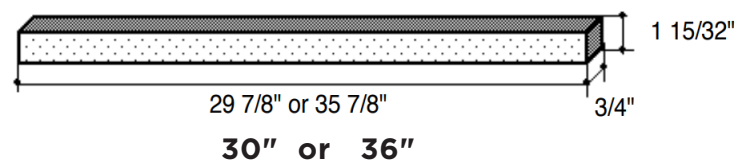
Replace the power cord with a hard wired box to power the range hood



Side View Top Vent

Side Direct Rear Vent

Custom Front Trim Dimensions



30" or 36"

WARNING! Product specifications are subject to change without notification. Consult the installation instructions before you begin installing this range hood. * Check local make up air codes for guidelines.

