

ICONIC SERIES
WAVE



AMBIENT LIGHT

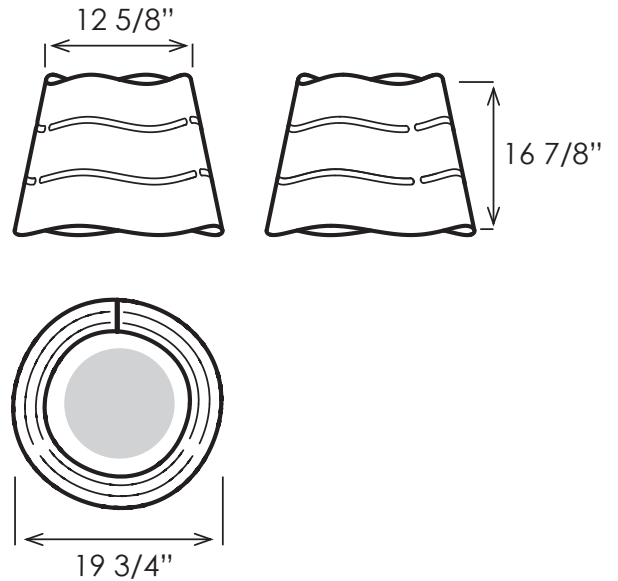


LONG LIFE FILTER

ELICA'S EXCLUSIVE PLUS FEATURES

Wave filters light, gently through undulating spaces cut into a stainless steel surface; a minimalist style light source, with a simple shape enriched by high-quality materials and a subtle radiance. Much more than a stylish stainless light fixture, Wave is actually a highly efficient range hood. All possible due to Elica's patented Evolution system.

Wave offers a 350 CFM blower, halogen lighting and a high efficiency filter system that effectively removes cooking grease, heat, smoke and odours, with only a whisper of sound (0.3 sones at speed 1) and does all this without dominating the kitchen or obstructing the glorious views outside.



SPECIFICATIONS



	20" UNIT
Model:	EWV320SS
Dimensions:	19 3/4"W x 19 3/4"D x 16 7/8"H
Blower Type(internal):	350 CFM, 3-Speed Internal
Blower Performance:	
Speed 1	110 CFM
Speed 2	220 CFM
Speed 3	350 CFM
Noise (sones): Working Speed	Min: 0.3 Sones, Max: 3.8 Sones
Finish:	Stainless Steel
Controls:	Electronic Push Button
Illumination:	2, 20 Watt Halogen Lamps, 1 Light Intensity (bulbs included) 3, 40 Watt Incandescent Ambient Lamps, 1 Light Intensity (bulbs included)
Filter Type:	1, Dishwasher-Grease Aluminum & 1 Long Life Carbon (both included)
Installation Type:	Wide Island/Wall-Mount
Electrical:	120V-60Hz, 320 Watts at 1.7 Amps
KITS:	
Optional Wall Mounting Bracket Kit	KIT02663
Optional High Ceiling Extension Kit Range 6'10" - 23' 5"	KIT01921
CONSUMABLE PARTS:	
Replacement Grease Filter (1)	GRI0009219A
Replacement Carbon Filter (1)	F00439
Replacement Light Bulb (1)	2006BP (Flood) / 2006BL (Ambient)

*Consumable parts are sold in units of one (1). Order accordingly

PLUS FEATURES



AMBIENT LIGHT - Elica studies on hood lighting leaves no stone unturned. Here we have thought about products not only able to light the cooktop, but the entire kitchen space. And so the hood is transformed: from a kitchen appliance to a true lighting element. Considering the design of Elica hoods, it is not hard to imagine how this option is quite unique, and represents one extraordinary point of strength for us.



LONG LIFE FILTER - One-of-a-kind odour filter, capable of regenerating itself and of lasting up to 3 years, while standard filters have an average life between 3 to 6 months. To maintain these characteristics, the filter only requires simple maintenance: wash every 2 or 3 months with hot water and mild soap (also in the dishwasher at 65 degrees) and dry in the oven for 10 minutes at 100 degrees.