

TECHNE SERIES
VARNA BLACK

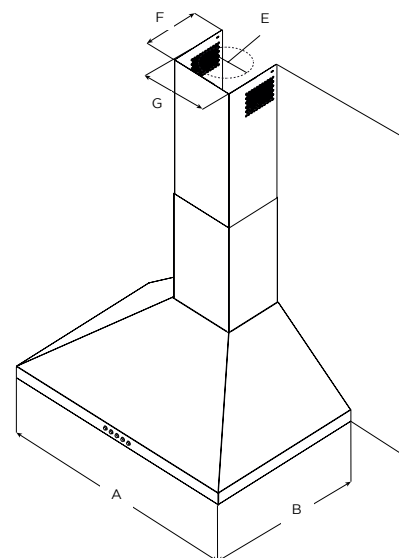


- CFM REDUCTION
- DIM LIGHT
- TOUCH CONTROL
- HUSH SYSTEM
- TOP PERFORMANCE
- LED LIGHT

ELICA'S EXCLUSIVE PLUS FEATURES

The clean lines, beautiful sloping angles and black stainless steel finish of Varna make a striking visual statement. Available in 30" or 36" width, Varna features include a powerful 600 CFM blower, LED dimmable lighting, dishwasher-safe stainless steel microhole filter, and easy to use glass capacitive touch controls that deliver convenience and safety.

Designed for standard ducted installation, Varna can also be installed with recirculating system using the kit available as an accessory.



	EVR630BL	EVR636BL
A	30" (76.2 cm)	36" (91.4 cm)
B	19 1/8" (50 cm)	
C*	Max: 42 1/8" (107 cm) Min: 28 9/16" (72 cm)	
D**	Max: 38 3/16" (97 cm) Min: 28 9/16" (72 cm)	
E	6" (15.24 cm)	
F	7 7/16" (18.3 cm)	
G	8 3/16" (20.8 cm)	

* Ductless (Recirculating) version
 ** Ducted version



MOUNTING HEIGHT RANGE

TECHNE SERIES
VARNA BLACK



SPECIFICATIONS



	30" Unit	36" Unit
Model:	EVR630BL	EVR636BL
Dimensions:	30" W x 19 11/16" D x 10 1/4" H	36" W x 19 11/16" D x 10 1/4" H
Blower Type(internal):	600 CFM(4-speed)	
Blower Performance:		
Speed 1	160 CFM	
Speed 2	280 CFM	
Speed 3	475 CFM	
Speed 4	600 CFM	
Noise (sones):	Min: 1.93, Max: 6	
Working Speed		
Finish:	Black Stainless Steel with black glass	
Controls:	Touch Control 3 Speeds + Booster	
Illumination:	2 LED Premium Dimmable Lights, 2.5 w	
Filter Type:	2 Dishwasher Safe, Stainless Steel Microhole Filter	
Electrical:	120V - 60 Hz 265 Watt at 2.2 Amp	
Installation Type:	Ducted or Recirculating with Installation Kit (sold separately)	
Duct Transition:	Top Round 6"	
KITS:		
Recirculating Kit	KIT02766	
Chimney Extension Kit:	KIT0140998	
CONSUMABLE PARTS:		
Charcoal Filter Replacement:	FB016A	
Grease Filter Replacement:	GF04YB	
	Consumable parts are sold in units of one (1). Order accordingly	
INSTALL HEIGHTS:		
Ranger Hood:	Ducted - Min: 7'5", Max: 9'1" Recirculating - Min: 7'5", Max: 9'6"	
Ranger Hood with extension duct covers:	Ducted - Min: 8'5", Max: 11'3" Recirculating - Min: 8'6", Max: 11'7"	

PLUS FEATURES



CFM REDUCTION - CFM Reduction System (CRS), is an exclusive feature to Elica hoods, which enables the user to reduce directly in the glass touch control the maximum blower CFM, to meet local code requirements.



HUSH SYSTEM - An exclusive sound deadening technology that effectively reduces sound levels up to 35%, compared to typical range hoods.



DIM-LIGHT - The Dimmer allows you to adjust the brightness of the light as you wish. With Elica, lighting is customized in a discreet, personal and practical way, in order to contribute in creating the perfect kitchen atmosphere.



TOP PERFORMANCE - Excellent performance for models equipped with this plus. High fume capturing capacity with an average aspiration range of 600 CFM's. with low noise levels, 1.2 - 1.7 sones at working speed.



ELECTRONIC TOUCH CONTROLS - Enjoy the modern design and convenience of multi-function electronic touch controls, which are discreetly hidden behind sleek black glass, and will illuminate a soft blue when activated.



LED LIGHT - LED lighting is undoubtedly the smartest solution in terms of energy saving. Expected life time of over 20.000 hours, represents the most remarkable advantage of LED light bulbs.