

# TECHNE PLUS SERIES STONEY



WIRELESS  
CONNECTIVITY



TOUCH  
CONTROL



PERIMETER  
ASPIRATION



LONG LIFE  
FILTER



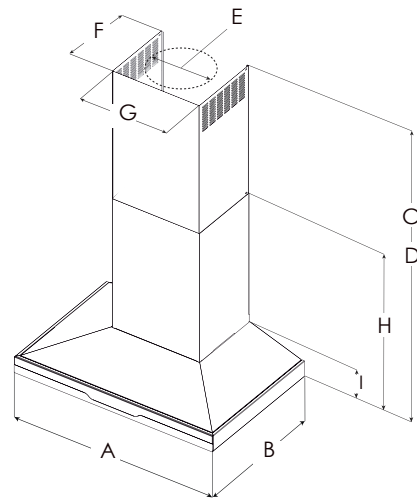
TOP  
PERFORMANCE



AMBIENT  
LIGHT

ELICA'S EXCLUSIVE  
PLUS FEATURES

The pairing of glass and brilliant stainless steel, make it ideal for any kitchen. Perimeter Aspiration technology helps to achieve Top Performance by delivering more powerful and efficient fume extraction, plus it reduces noise. Available in 30" & 36" widths, Stoney includes a powerful 600 CFM blower, LED lighting with dimmable feature and glass capacitive touch controls. Stoney is meant for anyone who loves high- technological solutions, where Elica hoods and cooktops automatically communicate, recognizing quality and quantity of cooking vapors, thus accordingly adjusting performance levels.



	EST630S	EST636SS
A	30" (76 cm)	36" (91.2 cm)
B	19 7/8" (50.5 cm)	
C*	Max: 42 1/4" (107.3 cm) Min: 28 1/8" (71.8 cm)	
D**	Max: 38 45/64" (98.3 cm) Min: 24 39/64" (62.5 cm)	
E	6" (15.2 cm)	
F	10 35/64" (26.8 cm)	
G	13 1/32" (33.1 cm)	
H	23 15/16" (60.8 cm)	
I	4 61/64" (12.6 cm)	

\* Ductless (Recirculating)

\*\* Ducted version



# TECHNE PLUS SERIES STONEY



## SPECIFICATIONS

	30" Unit	36" Unit
Model:	EST630SS	EST636SS
Dimensions:	30" W x 19 7/8" D x 5" H	36" W x 19 7/8" D x 5" H
Blower Type(internal):	600 CFM(4-speed)	
Blower Performance:		
Speed 1	160 CFM	
Speed 2	280 CFM	
Speed 3	470 CFM	
Speed 4	600 CFM	
Noise (sones):	Min:1.53, Max:6	
Woking Speed		
Finish:	Stainless Steel with black glass	
Controls:	Touch Control 3 Speeds + Booster	
Illumination:	2 LED Premium Dimmable Lights 2.5 WATTS	
Filter Type:	Dishwasher safe, Aluminum Mesh Filter + Perimeter Aspiration	
Filter quantity:	3	4
Duct Transition:	6" Round with Back Draft Damper (top only)	
Installation Type:	Ducted or Recirculating with Installation Kit (sold separately)	
Electrical:	120V - 60 Hz   460 Watt at 3.7 Amp	
KITS:		
Recirculating Kit	KIT0141925	
Long Chimney Extension:	KIT02785	
CONSUMABLE PARTS:		
Charcoal Filter Replacement:	KIT0141918	
Grease Filter Replacement:	GF09PB	
	Consumable parts are sold in units of one (1). Order accordingly	
INSTALL HEIGHTS:		
Ranger Hood:	Ducted - Min: 7'0", Max: 9'2"   Recirculating - Min: 7'9", Max: 10'4"	
Ranger Hood with extension duct covers:	Ducted - Min: 8'8", Max: 12'4"   Recirculating - Min: 9'0", Max: 12'8"	

## PLUS FEATURES



**WIRELESS CONNECTIVITY** - Wireless technology allows the transmission of real time information about cooking (active zones, pots, temperature), to your hood. Elica hoods with STREAM technology will process data and function totally automatically.



**TOP PERFORMANCE** - Excellent performance for models equipped with this plus. High fume capturing capacity with an average aspiration range of 600 CFM's and a noise level between 60-65 db(A) at maximum speed (reference point varies based on the hood category).



**AMBIENT LIGHT** - Transforms a kitchen appliance into a true lighting element.



**LONG LIFE FILTER** - One of a kind odour filter, capable of regenerating itself and of lasting up to 3 years. To maintain these characteristics, the filter only requires simple maintenance: wash every 2 or 3 months with hot water and mild soap (also in dishwasher at 65 degrees) and dry in the oven for ten minutes at 100 degrees



**TOUCH CONTROL** - Enjoy effortless cooking, and fully control each cooking zone with the tip of a single finger.



**PERIMETER ASPIRATION** - This technology draws air through a narrowed channel around a face plate, which increases suction, without increasing blower speed or energy consumption.