



TOP PERFORMANCE



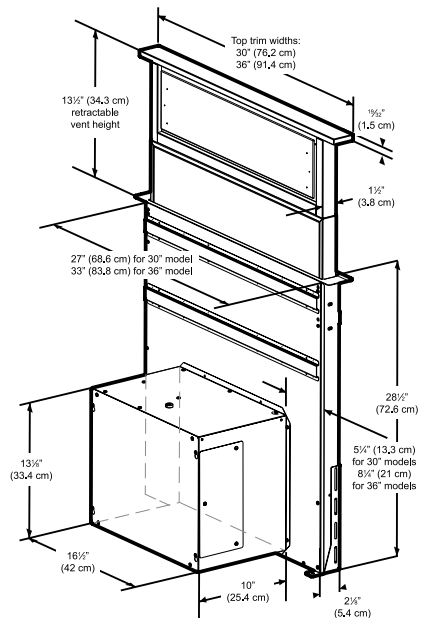
PERIMETER ASPIRATION

ELICA'S EXCLUSIVE PLUS FEATURES

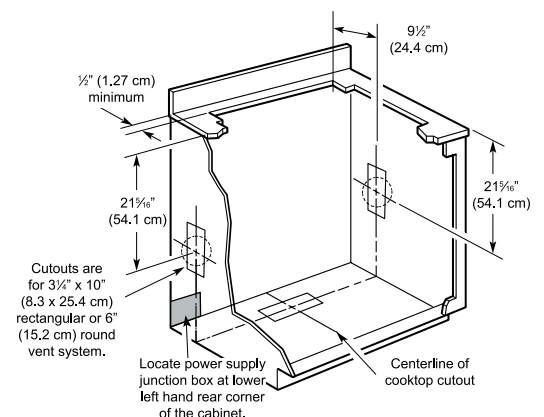
When the view out your kitchen window is too spectacular to disrupt with a range hood, Elica's Rise is the perfect solution.

Rise recesses completely out-of-sight into the countertop (when not in use), but when it's time to cook, Rise elevates a full 14" above the countertop (almost twice the height of competitors), for added ventilating efficiency. On top of that, Elica added Perimeter Aspiration Technology, which increases suction 35% and actually draws air from the front burner effectively, to create the best functioning downdraft on the market. Rise comes equipped with a powerful 600 CFM internal blower, which is operated by an electronic rotating control that's flush mounted into the countertop or cabinet face.

For maximum flexibility, the blower can be rotated to the opposite side to make room for a floor mounted range.



Cabinet Dimensions





SPECIFICATIONS

	30" UNIT	36" UNIT
Model:	ERS630SS	ERS636SS
Dimensions:	30"W x 12 1/2"D x 14"H	36"W x 12 1/2"D x 14"H
Blower Type(internal):	600 CFM, 4-Speed Internal	
Blower Performance:		
Speed 1	205 CFM	
Speed 2	2, 350 CFM	
Speed 3	510 CFM	
Speed 4	600 CFM	
Noise (sones): Working Speed	Min: 1.9, Max: 8.0	
Finish:	Stainless Steel	
Controls:	Electronic Rotating Disc	
Filter Type:	Perimeter Aspiration (Aluminium Mesh Filter Behind) Plus Perimeter Aspiration Plate	
Installation Type:	Ducted Installation only	
Duct Transition:	6" Round with Back Draft Damper (side)	
Electrical:	120V - 60Hz, 410 Watts at 3.4 Amps	
CONSUMABLE PARTS: Replacement Grease Filter (1)	GRI0107245A	

*Consumable parts are sold in units of one (1). Order accordingly

PLUS FEATURES



TOP PERFORMANCE - Excellent performance for models equipped with this plus. High fume capturing capacity with an average aspiration range of 600 CFM's. with low noise levels, 1.2 - 1.7 sones at working speed.



PERIMETER ASPIRATION - First developed by Elica, this technology literally turned the market 180 degrees and opened the door to hoods that could be mounted on the wall like picture frames. The technology draws air through a narrowed channel around a face plate, which increases suction, without increasing blower speed or energy consumption.