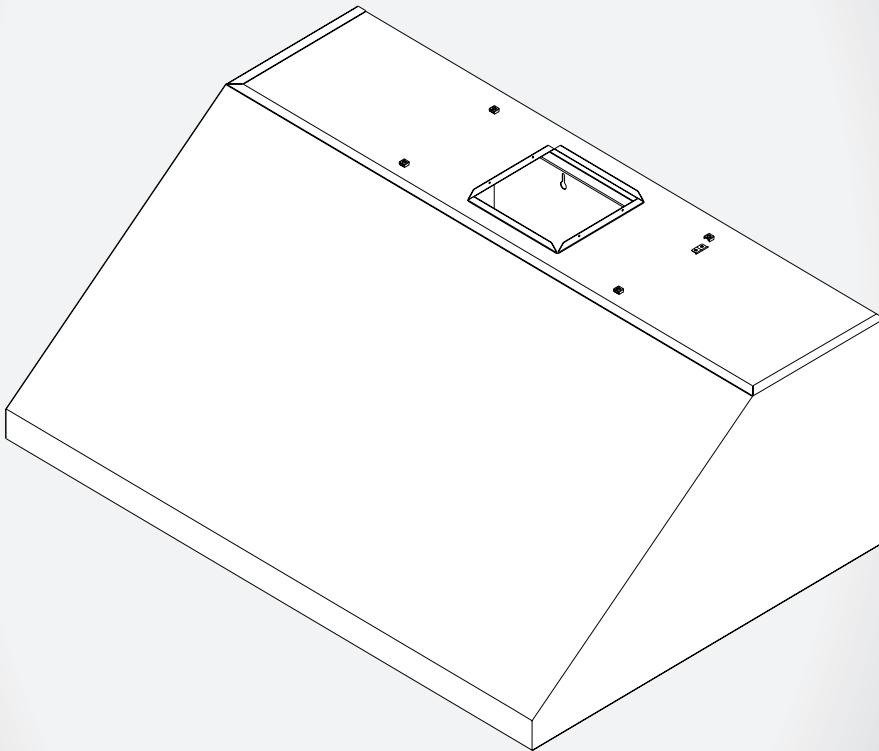


Use, Care, and Installation Guide

Guide
d'utilisation,
d'entretien et
d'installation

Guía de
instalación, uso y
mantenimiento



READ AND SAVE THESE
INSTRUCTIONS

LISEZ CES
INSTRUCTIONS ET
CONSERVEZ-LES

LEA Y CONSERVE
ESTAS INSTRUCCIONES

Models: | ECP136SS
ECP148SS

Contents

Important safety notice..... 3
 Electrical & installation requirements 4
 Before installing the hood 4
Product Dimensions..... 5
List of materials..... 6
 Parts supplied 6
 Parts not supplied 6
Venting Requirements..... 7
Installation Instructions 7
 Prepare Location 7
 Installation 9
 Install Range Hood internal Blower 10
 Electrical connection..... 11
 Complete the installation..... 11
Description of the hood..... 11
Control..... 11
Maintenance 12
Warranty 13

**APPROVED FOR RESIDENTIAL APPLIANCES
FOR RESIDENTIAL USE ONLY
READ AND SAVE THESE INSTRUCTIONS**

**PLEASE READ ENTIRE INSTRUCTIONS BEFORE PROCEEDING.
INSTALLATION MUST COMPLY WITH ALL LOCAL CODES.**

IMPORTANT: Save these Instructions for the Local Electrical Inspector’s use.
INSTALLER: Please leave these Instructions with this unit for the owner.
OWNER: Please retain these instructions for future reference.

Safety Warning: Turn off power circuit at service panel and lock out panel, before wiring this appliance.
Requirement: 120 V AC, 60 Hz. 15 or 20 A Branch Circuit.

IMPORTANT SAFETY NOTICE

CAUTION

FOR GENERAL VENTILATING USE ONLY. DO NOT USE TO EXHAUST HAZARDOUS OR EXPLOSIVE MATERIALS OR VAPOURS.

WARNING

TO REDUCE THE RISK OF FIRE, ELECTRIC SHOCK, OR INJURY TO PERSONS, OBSERVE THE FOLLOWING:

- A. Use this unit only in the manner intended by the manufacturer. If you have questions, contact the manufacturer.
- B. Before servicing or cleaning the unit, switch power off at service panel and lock service panel disconnecting means to prevent power from being switched on accidentally.
When the service disconnecting means cannot be locked, securely fasten a prominent warning device, such as a tag, to the service panel.
- C. Installation work and electrical wiring must be done by qualified person(s) in accordance with all applicable codes & standards, including fire-rated construction.
- D. Sufficient air is needed for proper combustion and exhausting of gases through the flue (Chimney) of fuel burning equipment to prevent back-drafting.
Follow the heating equipment manufacturers guideline and safety standards such as those published by the national fire protection association (NFPA), the American Society for Heating, Refrigeration and Air Conditioning Engineers (ASHRAE), and the local code authorities.
- E. When cutting or drilling into wall or ceiling, do not damage electrical wiring and other hidden utilities.
- F. Ducted systems must always be vented to the outdoors.

WARNING

TO REDUCE THE RISK OF FIRE, USE ONLY METAL DUCT WORK.

Install this hood in accordance with all requirements specified.

WARNING

To reduce the risk of fire or electric shock, do not use this hood with any external solid state speed control device.

WARNING

TO REDUCE THE RISK OF A RANGE TOP GREASE FIRE.

- a) Never leave surface units unattended at high settings. Boilovers cause smoking and greasy spillovers that may ignite. Heat oils slowly on low or medium settings.
- b) Always turn hood ON when cooking at high heat or when flambeing food (I.e. Crepes Suzette, Cherries Jubilee, Peppercorn Beef Flambe').
- c) Clean ventilating fans frequently. Grease should not be allowed to accumulate on fan or filter.
- d) Use proper pan size. Always use cookware appropriate for the size of the surface element.

WARNING

TO REDUCE THE RISK OF INJURY TO PERSONS, IN THE EVENT OF A RANGE TOP GREASE FIRE, OBSERVE THE FOLLOWING:^a

- a) SMOTHER FLAMES with a close-fitting lid, cookie sheet, or other metal tray, then turn off the gas burner or the electric element. BE CAREFUL TO PREVENT BURNS. If the flames do not go out immediately, EVACUATE AND CALL THE FIRE DEPARTMENT.
- b) NEVER PICK UP A FLAMING PAN - you may be burned.
- c) DO NOT USE WATER, including wet dishcloths or towels - a violent steam explosion will result.
- d) Use an extinguisher ONLY if:
 - 1) You know you have a class ABC extinguisher, and you already know how to operate it.
 - 2) The fire is small and contained in the area where it started.
 - 3) The fire department is being called.
 - 4) You can fight the fire with your back to an exit.

^aBased on "Kitchen Fire Safety Tips" published by NFPA.

CAUTION

Automatically Operated Device - To Reduce The Risk Of Injury Disconnect From Power Supply Before Servicing.

WARNING

Suitable for use in damp location when installed in a GFCI protected branch circuit.

ELECTRICAL & INSTALLATION REQUIREMENTS

IMPORTANT

Observe all governing codes and ordinances.

It is the customer's responsibility:

- To contact a qualified electrical installer.
- To assure that the electrical installation is adequate and in conformance with National Electrical Code, ANSI/NFPA 70 — latest edition*, or CSA Standards C22.1-94, Canadian Electrical Code, Part 1 and C22.2 No.0-M91-latest edition** and all local codes and ordinances.
- If codes permit and a separate ground wire is used, it is recommended that a qualified electrician determine that the ground path is adequate.
- Do not ground to a gas pipe.
- Check with a qualified electrician if you are not sure range hood is properly grounded.
- Do not have a fuse in the neutral or ground circuit.

IMPORTANT

- Save Installation Instructions for electrical inspector's use.
- The range hood must be connected with copper wire only.
- The range hood should be connected directly to the fused disconnect (Or circuit breaker) box through metal electrical conduit.

- Wire sizes must conform to the requirements of the National Electrical Code ANSI/NFPA 70 — latest edition*, or CSA Standards C22.1-94, Canadian Electrical Code Part 1 and C22.2 No. 0-M91 - latest edition** and all local codes and ordinances.
- A U.L.- or C.S.A.-listed conduit connector must be provided at each end of the power supply conduit (at the range hood and at the junction box).

Copies of the standards listed may be obtained from:

* National Fire Protection Association Batterymarch Park Quincy, Massachusetts 02269

** CSA International 8501 East Pleasant Valley Road Cleveland, Ohio 44131-5575

BEFORE INSTALLING THE HOOD

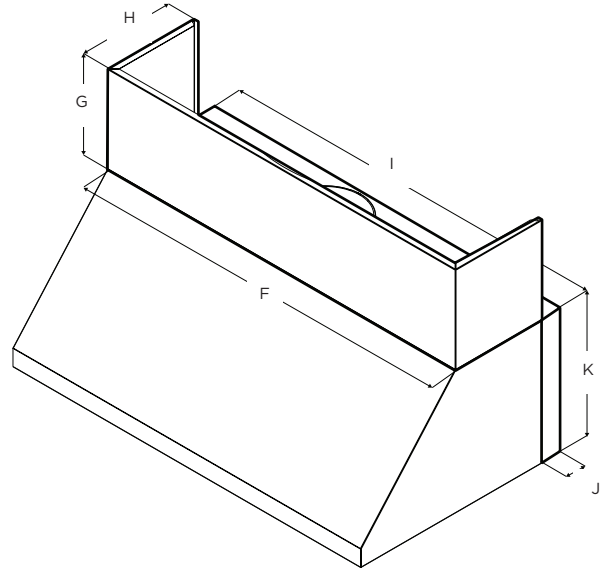
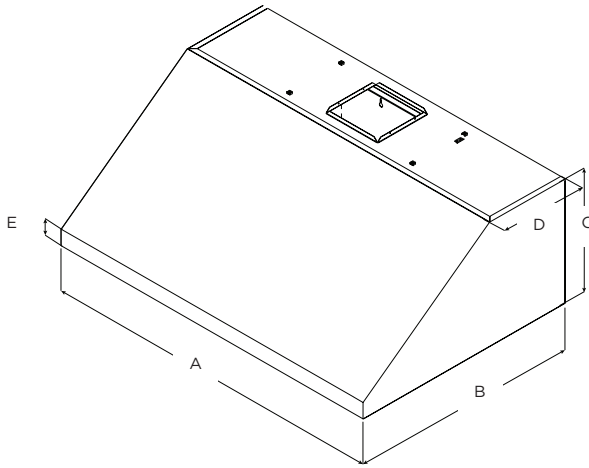
- 5 For the most efficient air flow exhaust, use a straight run or as few elbows as possible.
- 6 At least two people are necessary for installation.
- 7 Fittings material is provided to secure the hood to most types of walls/ceilings, consult a Qualified Installer, check if they perfectly fit with your roof/ceiling.
- 8 Do not use flex ducting.
- 9 COLD WEATHER installations should have an additional backdraft damper installed to minimize backward cold air flow and a nonmetallic thermal break to minimize conduction of outside temperatures as part of the ductwork. The damper should be on the cold air side of the thermal break.
The break should be as close as possible to where the ducting enters the heated portion of the house.

⚠ WARNING

To Reduce The Risk Of Fire And Electric Shock, Install This Rangehood Only With Integral and External Blower Models Rated Maximum 7.7 A/ 926 W Or Integral Blowers Manufactured by Elica (for model references, see optional accessories table).

HOOD MODEL	Internal Blower Kit 1200 KIT0156655		External Blower Kit 1200 KIT0153054	
	A	W	A	W
ECP136SS	7.6	913	7.6	913
ECP148SS	7.7	926	7.7	926

PRODUCT DIMENSIONS



	Models	
	ECP136SS	ECP148SS
A	36" (91.2 cm)	48" (121.7 cm)
B	32" (81.38 cm)	
C	18" (45.71 cm)	
D	11 ⁵ / ₁₆ " (30.25 cm)	
E	2 ¹⁹ / ₃₂ " (5.41cm)	

Duct Cover Kit	F	G	H
KIT0156637	36" (91.2 cm)	6"	11 ⁵ / ₁₆ " (30.25 cm)
KIT0156641	48" (121.7 cm)		
KIT0156645	36" (91.2 cm)	12"	
KIT0156649	48" (121.7 cm)		

Spacer Kit	I	J	K
KIT0153304	36" (91.2 cm)	3"	18" (45.71 cm)
KIT0153305	48" (121.7 cm)		

LIST OF MATERIALS

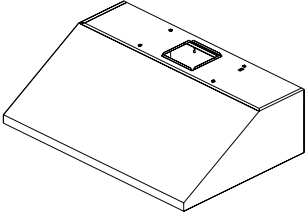




Removing the packaging.


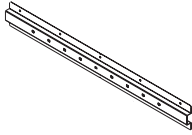
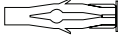

⚠ CAUTION

Remove carton carefully, wear gloves to protect against sharp edges.

⚠ WARNING

Remove the protective film covering the product before putting into operation.

Supplied Part	Pieces
 Hood assembly and LED lamps already installed	1
 5.4x75 mm screws	14
 6.4x18 mm flat washers	4
 Square nuts	9
 4.2x19 mm screws	4

Supplied Part	Pieces
 Round Transition 10" (25.4cm)	1
 Horizontal Support	1
 10x60 mm wall anchors (concrete)	14
 6x16 mm screws	9

Parts no supplied

Tools/Materials required

- Level
- Drill with 1/4" (3.0 cm), 1/8" (3.0 mm), 1/16" (4.8 mm) drill bits
- Pencil
- Wire stripper or utility knife
- Tape measure or ruler
- Pliers
- Caulking gun and weatherproof caulking compound
- Vent clamps
- Saber or keyhole saw
- Metal snips
- Covered Liquid tight Flexible Metal Conduit
- Screwdrivers:
 - Phillips
 - Flat-blade

Parts needed

- Home power supply cable
- 1 - 1/2" (12.7 mm) UL listed or CSA approved strain relief
- 3 UL listed wire connectors
- 1 wall or roof cap
- Metal vent system

Optional accessories and consumable parts

KIT	# Part	
	36" (91.2 cm)	48" (121.7 cm)
1200 CFM'S Internal Blower Kit	KIT0156655	
1200 CFM'S External Blower Kit*	KIT0153054	
3" Depth Spacer Kit*	KIT0153304	KIT0153305
6" Duct Cover Kit	KIT0156637	KIT0156641
12" Duct Cover Kit	KIT0156645	KIT0156649

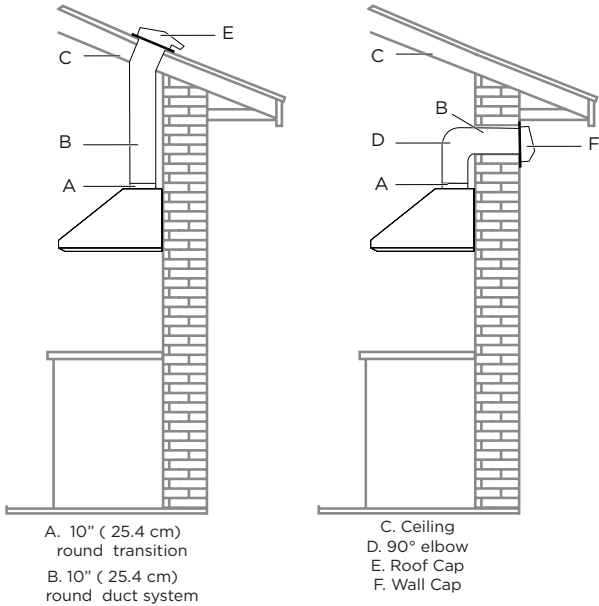
*Accessories exclusively sold in the US and Canada

VENTING REQUIREMENTS

Closely follow the instructions set out in this manual. All responsibility, for any eventual inconveniences, damages or fires caused by not complying with the instructions in this manual, is declined.

Venting Methods

Use a round transition 10" (25.4 cm) and a round 10" (25.4 cm) duct system for discharge of fumes to the outside.



Preparation

Do not cut a joist or stud unless absolutely necessary. If a joist or stud must be cut, then a supporting frame must be constructed.

Fittings material is provided to secure the hood to most types of walls/ceilings.

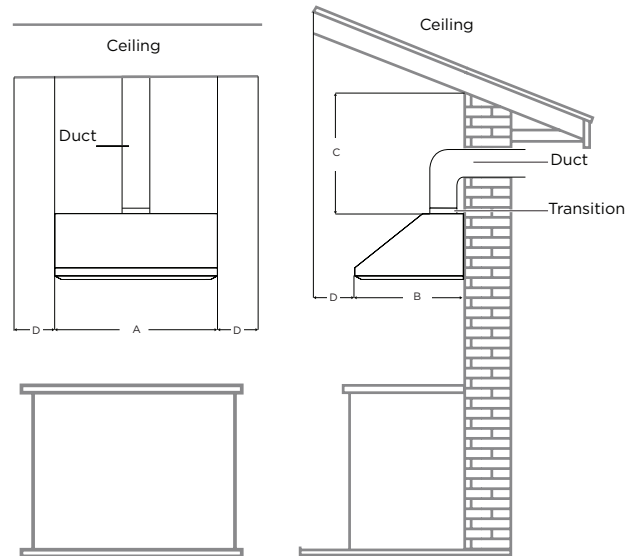
However, a qualified technician must verify suitability of the materials in accordance with the type of wall/ceiling.

Before making cutouts, make sure there is proper clearance within the ceiling or wall for exhaust vent.

Ceiling and Duct Considerations

IMPORTANT: This range hood is intended for covered patios or terraces. This unit must be protected from the effects of weather.

IMPORTANT: The perimeter of the roof must exceed a minimum of 6" (15.3 cm) the side and front edges of the hood.



Minimum Ceiling Measurements

	ECP136SS	ECP148SS
A	36" (91.2 cm)	48" (121.7 cm)
B	32" (81.38 cm)	
C	18" (45.7 cm)	
D	6" (15.3 cm) minimum	

⚠ CAUTION

For gas cooktop installations: Mount the hood so the bottom is at least 30" (76.2 cm) above the cooking surface.

There is no maximum mounting height, however, we recommend mounting the hood no greater than 36" (91.4 cm) above the cooking surface. For every inch (2.54 cm) above 36" (91.4 cm), fume and moisture capture efficiency diminishes at an increasing rate and may not deliver an acceptable level of ventilating performance.

IMPORTANT: This range hood model is not intended for carbon use.

PLEASE READ THE INSTALLATION MANUAL FOR SPECIFIC APPLICATION.

IMPORTANT: The roof cap and the wall cap must be considered to prevent the entering from the water. Once installed, it must be sealed to prevent leaks.

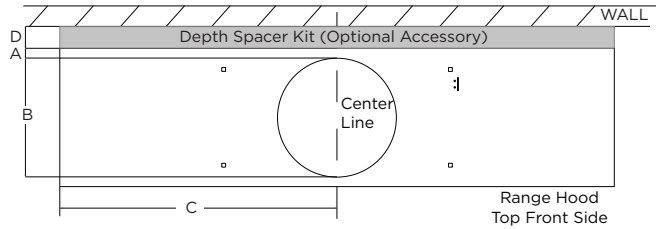
INSTALLATION INSTRUCTIONS

Prepare Location

Outside top exhaust

(Vertical duct - 10" Round transition)

Use the diagram or the hood as a template and mark the locations on the ceiling or wall for ductwork, electrical wiring and keyhole screw slots. It is recommended to make the marks before the installation.



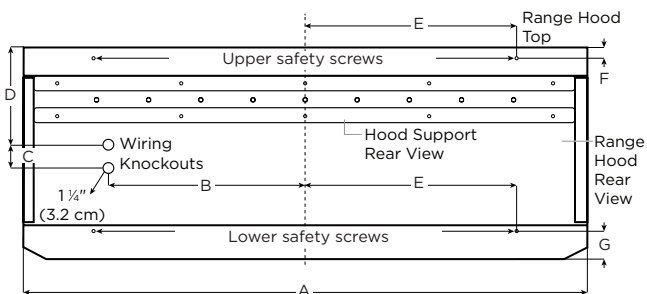
Models		
	ECP136SS	ECP148SS
A	1/16" (2.2 cm)	
B	Ø 10 1/4" (26 cm)	
C	18" (45.71 cm)	24" (60.8 cm)
D*	3" (7.62 cm)	

*Optional measure

Install framing for hood support

- 1 Remove the wiring knockouts.
- 2 Mark the knockouts and the upper and lower safety screws holes locations.

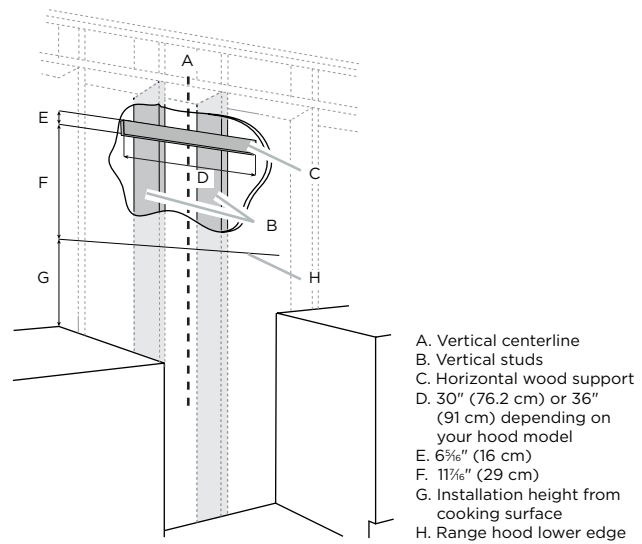
NOTE: Use the diagram and mark the locations on the wall. It is recommended to make the marks before the installation.



Models		
	ECP136SS	ECP148SS
A	36" (91.2 cm)	48" (121.7 cm)
B	10 1/16" (27.2 cm)	16 1/16" (42.4 cm)
C	2" (5 cm)	
D	8 5/16" (21.1 cm)	
E	12" (30.4 cm)	18" (45.6 cm)
F	7/8" (2.4 cm)	
G	2 7/16" (6.2 cm)	

- 3 If drywall is present, cut away enough drywall to expose 2 vertical studs at the indicated holes location. Install an horizontal wood support between two wall studs at the bottom and upper mounting holes installation locations. See the diagram to determine the wood support dimension.

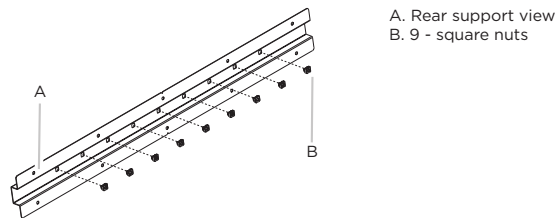
- 4 The horizontal support must be flush with the room side of the studs. Use cleats behind both sides of the support to secure wall studs.
NOTE: This structure must be strong enough to support the weight of 330 lb (150 kg).
- 5 Reinstall drywall and refinish.



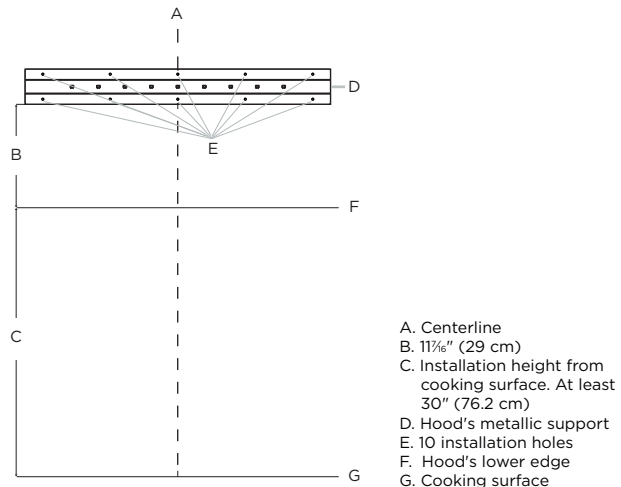
- 6 Cut holes at marked locations for duct and electrical wiring.

Install the hood support

- 1 Remove the protective.
- 2 From the back of the support you must install the 9 - square nuts.

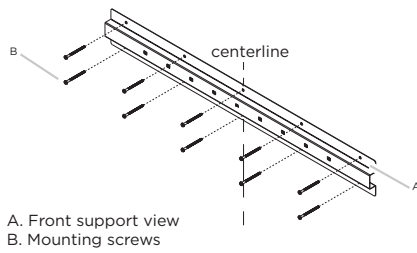


- 3 Use the support as a template and mark a vertical centerline. From the bottom of the support mark a total distance of 11 9/16" (29.29 cm); above the line you must consider the range hood distance above the cooking surface, 30" (76.2 cm) at least.



- 4 Drill the 1/8" (3.0 mm) pilot holes over the screws location until penetrates the wall.
- 5 Remove the support.
- 6 With a 5/8" (15.8 mm) drill the pilot holes and place the wall anchors in the pilot holes.

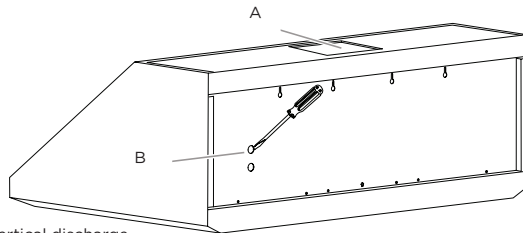
7 Place the support and fasten it with the mounting screws.



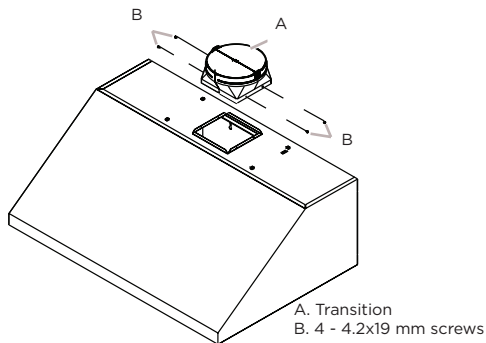
Installation

After having chosen the venting methods, proceed as follows:

- If possible, disconnect and move freestanding or slide-in range to provide easier access to rear wall. Otherwise put a thick, protective covering over countertop, cooktop or range to protect from damage and debris. Select a flat surface for assembling the unit. Cover that surface with a protective covering and place all canopy hood parts and hardware in it.
- Determine and mark the centerline on the wall where the canopy hood will be installed. Select a mounting height and mark on wall.
- Prepare duct and conduit cutouts as needed.
- Remove the duct knockouts using a flat blade screwdriver and a small hammer. Use the screwdriver by knocking out the knockout. Take care of sharp edges.



- Attach air exhaust transition over the top exhaust opening with 4 - 4.2x19 mm screws.



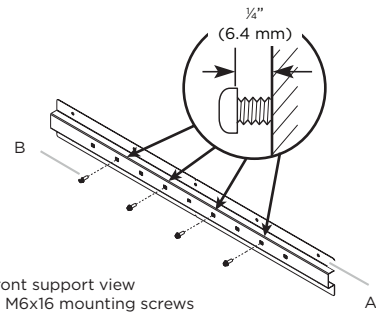
NOTE:

The exhaust adaptor/damper can be installed up to 1 inch on either side of the hood center to accommodate offcenter ductwork. In extreme offcenter installations, one end of the duct connector may need to be trimmed to clear the electrical cable clamp.

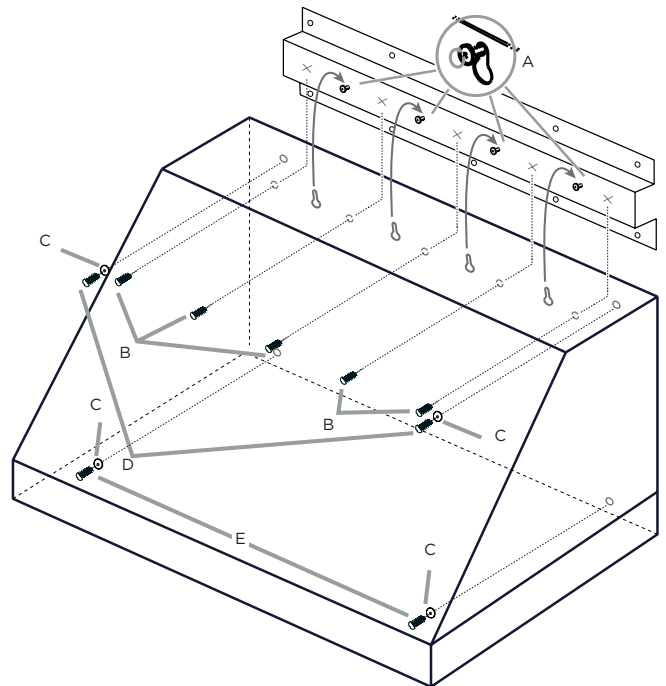
Mounting the hood

1 Install the 4 pieces of the selected screws on the mountings screws location (see the image).

NOTE: Leave a ¼" (6.4 mm) gap between the support and the back of the screw head to slide range hood into place.



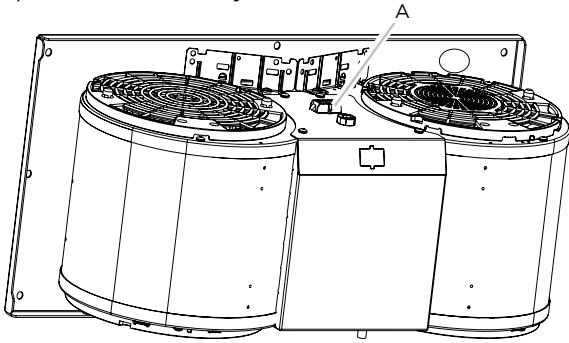
- 2 Fix the wiring conduit of the hood.
- 3 Slide the hood back against the wall. Tighten the mounting screws. Be sure the screw heads are in the narrow neck of the keyhole slot.
- 4 Drive 5 pieces of the selected screws in the lower security screws location (see the image below).
- 5 Drive 2 pieces of the selected screws and washers in the upper security screws location (see the image below).
- 6 Connect Ductwork to hood.



A. 4 M6x16 mounting screws
B. 5 M6x16 security mounting screws
C. 6.4x18 mm washers
D. Upper security screws
E. Lower security screws

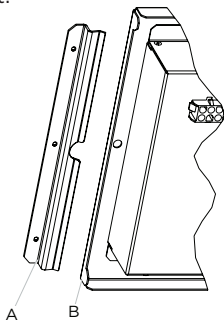
Install Range Hood Internal Blower (Not included)

- 1 Remove grease filters from range hood. See the "Maintenance" section in the Use and Care Guide.
- 2 Install the range hood blower motor assembly inside the range hood canopy with the wiring connection to the front or top for the dual motor system.



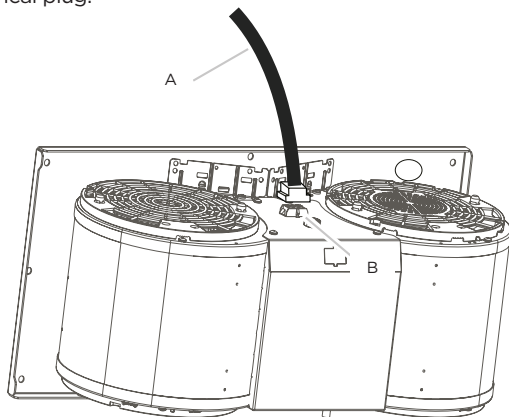
A. Wiring connection

- 3 Slide the left mounting plate flange under the motor mounting bracket.



A. Motor mounting bracket
B. Mounting plate left flange

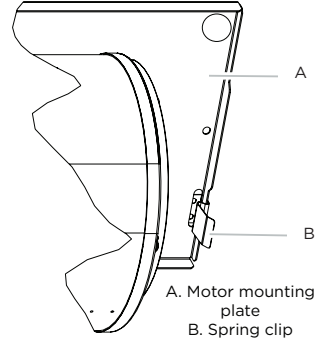
- 4 Run the power supply wires and connector from the range hood terminal box and connect it to the motor electrical plug.



A. Motor Electrical Plug
B. Power supply wires and connector

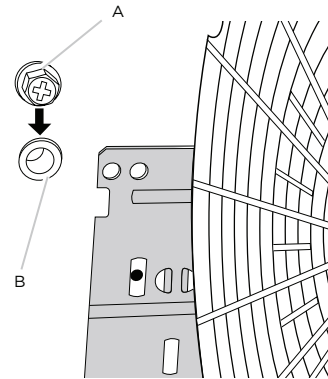
- 5 Push the right end of the motor mounting plate up and snap it into the spring tab.

NOTE: The spring tab should be outside the slot in the mounting plate.



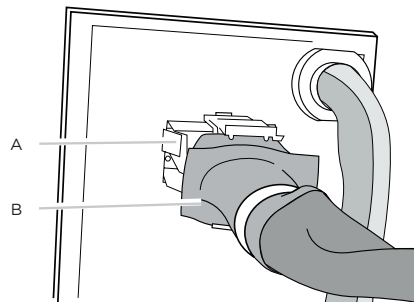
A. Motor mounting plate
B. Spring clip

- 6 Align mounting holes and install 6 x 16 mm screws and 6.4mm lock washers



A. Screw with lock washer
B. Mounting hole

- 7 Attach power supply connector from the range hood to the connector on the blower motor assembly wiring box.



A. Blower motor power supply connector
B. Range Hood power supply connector

ELECTRICAL CONNECTION

⚠️ WARNING

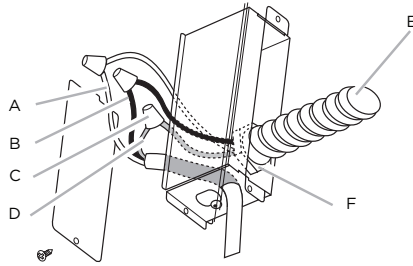
ELECTRICAL SHOCK HAZARD.

⚠️ WARNING

DISCONNECT POWER BEFORE SERVICING.
REPLACE ALL PARTS AND PANELS BEFORE OPERATING.
FAILURE TO DO SO CAN RESULT IN DEATH OR ELECTRICAL SHOCK.

NOTE: To remove the junction box cover, use a small Phillips screwdriver (less than 15 cm tall) to fit into the hood's inner space.

- Remove the knockout and the Junction box cover and install the conduit connector (cULus listed) in junction box.



A. White wires
B. Black wires
C. UL listed wire connector

D. Green (or bare) and yellow-green ground wire
E. Home power supply cable
F. UL listed or CSA approved 1/2" strain relief

- Run 3 wires; black, white and green, according to the National Electrical Code and local codes and ordinances, in 1/2" conduit from service panel to junction box.

⚠️ WARNING

ELECTRICAL SHOCK HAZARD.

⚠️ WARNING

ELECTRICALLY GROUND BLOWER.
CONNECT GROUND WIRE TO GREEN AND YELLOW GROUND WIRE IN TERMINAL BOX. FAILURE TO DO SO CAN RESULT IN DEATH OR ELECTRICAL SHOCK.

- Connect black wire from service panel to black or red in junction box, white to white and green to green-yellow.
- Close and secure junction box cover.

COMPLETE INSTALLATION

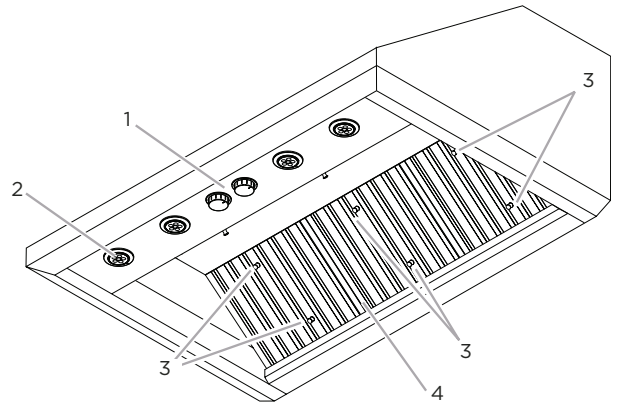
Replace filters.
Check operation of the hood.

If range hood does not operate:

- Check that the circuit breaker is not tripped or the house fuse blown.
- Disconnect power supply. Check that wiring is correct.

To get the most efficient use from your new range hood, read the "Maintenance" section.
Keep your Installation Instructions and Use and Care Guide close to range hood for easy reference.

DESCRIPTION OF THE HOOD



- Blower and light controls
- LED lamps
- Grease filter handle
- Grease filter

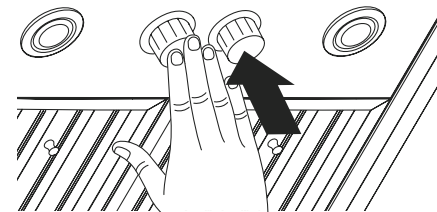
Controls

The range hood is designed to remove smoke, cooking vapors and odors from the cooktop area. For best results, start the hood before cooking and allow it to operate several minutes after the cooking is complete to clear all smoke and odors from the kitchen.

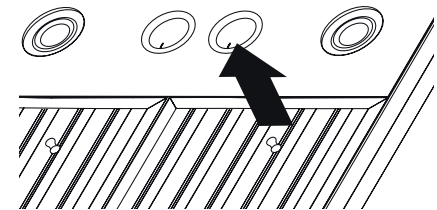
The hood controls are located on the center side of the hood.

Recessing Knobs

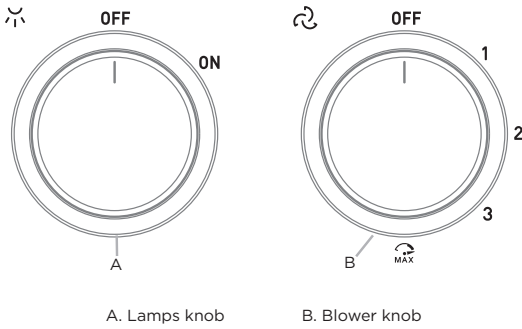
- You can hide control knobs by depressing them until flush with the hood body.



- Pressing the knobs again will lower the knobs, and enable the user to operate the lights and blower.



Controls



Operating the lamps

1. Turn the light switch to the "ON" position to turn the range hood lights On.
2. Turn the light switch to the "OFF" position to turn the range hood lights Off.

Operating the blower

1. Turn the blower switch at "1" to turn the range hood on.
2. Turn the blower switch to the desired speed position.
3. Turn the blower switch to the "MAX" position to turn the range hood on High.
4. Turn the blower switch to the "OFF" position to turn the range hood blower Off.

Auto On blower

The range hood is equipped with a sensor to automatically turn on the blower when excessive heat is detected in the control area. When the blower switch is in the "Off" position, this sensor will turn the blower to high speed when necessary. When the heat decreases, the blower will turn off. When the blower switch is in the On position, the heat sensor is not active and the range hood functions normally.

MAINTENANCE

⚠ WARNING

The hood must be disconnected from the power source before any maintenance or cleaning.

Cleaning

Exterior surfaces:

To avoid damage to the exterior surface, do not use steel wool or soap-filled scouring pads. Rub in direction of the grain line to avoid scratching the surface.

Always wipe dry to avoid water marks.

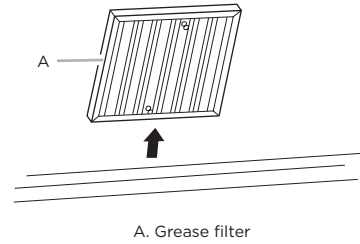
- Apply the cleaner Bar Keepers Friend®.
- Wipe with damp soft cloth or nonabrasive sponge, then rinse with clean water and wipe dry.

IMPORTANT: To avoid traces of stains and improve the appearance of the hood it is recommended to use Bar Keepers Friend® Soft Cleanser & Polish.

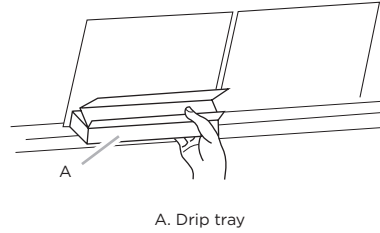
1. Shake well before using.
2. Squeeze onto wet surface or damp sponge.
3. Rub on soiled surface as needed.
4. Rinse thoroughly within one minute of application, then wipe dry.

Metal filters and drip trays:

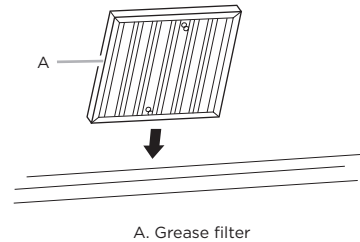
1. Use 2 hands to remove filters.
2. Grasp filter handles, pull toward the front of range hood and pull down on the rear handle to remove. Repeat for each filter.



3. Remove grease drip tray.



4. Wash metal filters and grease trays as needed in dishwasher or hot detergent solution to clean.
5. Replace grease drip tray.
6. Reinstall filters, grasp filter handles and place front edge of filter into the hood.
7. Push up on the back handle and set rear of filter into the drip tray to secure. Repeat for each filter.



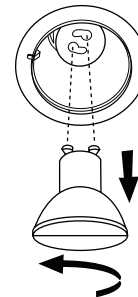
Replacing a LED Lamp

Turn off the range hood and allow the LED lamp to cool.

To avoid damage or decreasing the life of the new lamp, do not touch lamp with bare fingers. Replace lamp, using tissue or wearing cotton gloves to handle lamp.

If new lamps do not operate, make sure the lamps are inserted correctly before calling service.

- 1 Disconnect power.
- 2 Push up on the lens and turn it counterclockwise.
- 3 Remove the lamp and replace it with a 120-volt, 7.5 W watt maximum halogen lamp with a GU10 base. Turn it clockwise to lock it into place.
- 4 Repeat steps 2-3 for the other lamps if needed.
- 5 Reconnect power.



ELICA North America

TWO-YEAR LIMITED WARRANTY

Register your product in

elica.com

and earn a 3rd year of factory warranty, covering all parts plus in-home labor.

TO OBTAIN SERVICE UNDER WARRANTY

Owner must present proof of original purchase date. Please keep a copy of your dated proof of purchase (sales slip) in order to obtain service under warranty.

PARTS AND SERVICE WARRANTY

For the period of two (2) years from the date of the original purchase, Elica will provide free of charge, non consumable parts or components that failed due to manufacturing defects. During these two (2) years limited warranty, Elica will also provide free of charge, all labor and in-home service to replace any defective parts.

WHAT IS NOT COVERED

- Damage or failure to the product caused by accident or act of God, such as, flood, fire or earthquake.
- Damage or failure caused by modification of the product or use of non-genuine parts.
- Damage or failure to the product caused during delivery, handling or installation.
- Damage or failure to the product caused by operator abuse.
- Damage or failure to the product caused by dwelling fuse replacement or resetting of circuit breakers.
- Damage or failure caused by use of product in a commercial application.
- Service trips to dwelling to provide use or installation guidance.
- Light bulbs, metal or carbon filters and any other consumable part.
- Normal wear of finish.
- Wear to finish due to operator abuse, improper maintenance, use of corrosive or abrasive cleaning products/pads and oven cleaner products.

WHO IS COVERED

This warranty is extended to the original purchaser for products purchased for ordinary residential use in North America (Including the United States, Guam, Puerto Rico, US Virgin Islands & Canada).

This warranty is non-transferable and applies only to the original purchaser and does not extend to subsequent owners of the product. This warranty is made expressly in lieu of all other warranties, expressed or implied, including, but not limited to any implied warranty of merchantability or fitness for a particular purpose and all other obligations on the part of Elica North America, provided, however, that if the disclaimer of implied warranties is ineffective under applicable law, the duration of any implied warranty arising by operation of law shall be limited to two (2) years from the date of original purchase at retail or such longer period as may be required by applicable law.

This warranty does not cover any special, incidental and/or consequential damages, nor loss of profits, suffered by the original purchaser, its customers and/or the users of the Products.

WHO TO CONTACT

To obtain service under warranty or for any service related question:

- Elica North America Service, call at 1 888 732 8018
- For Eastern Canada, call AGI Services at 1 888 651 2534 Ask for the service department
- elica@servicepower.com

Table des matières

Avis de sécurité important	15
Exigences électriques et d'installation	16
Avant d'installer la hotte	16
Dimensions du produit	17
Liste des pièces	18
Pièces fournies	18
Pièces non fournies	18
Exigences Concernant l' Evacuation	19
Instructions D'Installation	19
Preparation de l'emplacement	19
Installation	21
Installer le moteur interne de la hotte	22
Connexion électrique.....	23
Completez l'installation.....	23
Description de la hotte.....	23
Panneau de commande	23
Entretien	24
Garantie	25

**APPROUVÉ POUR LES APPAREILS DE TYPE RÉSIDENTIEL
POUR UNE UTILISATION RÉSIDENTIELLE SEULEMENT
LISEZ CES INSTRUCTIONS ET CONSERVEZ-LES**

**VEUILLEZ LIRE CES INSTRUCTIONS AU COMPLET AVANT DE COMMENCER.
L'INSTALLATION DE L'APPAREIL DOIT RESPECTER TOUS LES CODES EN VIGUEUR.**

IMPORTANT : Conservez ces instructions afin de pouvoir les remettre à l'inspecteur-électricien de votre région.

INSTALLATEUR : Veuillez laisser ces instructions avec l'appareil pour le propriétaire.

PROPRIÉTAIRE : Veuillez conserver ces instructions pour pouvoir vous y référer plus tard.

Avertissement de sécurité : Coupez l'alimentation du circuit dans le panneau électrique et verrouillez le panneau avant de raccorder les fils de cet appareil.

Exigence : 120 V c.a., 60 Hz circuit de dérivation de 15 V c.a., 20 Hz, de 15 ou 20 A.

⚠️ AVIS DE SÉCURITÉ IMPORTANT

⚠️ ATTENTION

UTILISER CET APPAREIL À DES FINS DE VENTILATION GÉNÉRALE SEULEMENT. NE PAS UTILISER CET APPAREIL POUR ÉVACUER DES MATÉRIAUX OU DES VAPEURS DANGEREUX OU EXPLOSIFS.

⚠️ AVERTISSEMENT

POUR RÉDUIRE LES RISQUES D'INCENDIE, DE CHOC ÉLECTRIQUE ET DE BLESSURE, RESPECTER LES DIRECTIVES SUIVANTES:

- A. Utiliser cet appareil uniquement aux fins prévues par le fabricant. Si vous avez des questions à propos de l'appareil, communiquez avec le fabricant.
- B. Avant de faire l'entretien de l'appareil ou de le nettoyer, coupez l'alimentation dans le panneau électrique et verrouillez le panneau en bloquant le dispositif permettant d'empêcher d'activer l'alimentation accidentellement. S'il n'est pas possible de verrouiller l'accès au panneau, fixez une étiquette très voyante au panneau électrique.
- C. Une personne qualifiée doit effectuer l'installation et le câblage des fils électriques en conformité avec tous les codes et toutes les normes, y compris la cote de résistance au feu.
- D. Il est important de prévoir suffisamment d'air pour assurer une bonne combustion de l'équipement de chauffe et l'évacuation adéquates des gaz par le conduit de cheminé afin de prévenir les refoulements d'air. Respectez les directives et les normes de sécurité des fabricants de l'équipement de chauffage, comme celles publiées par la National Fire Protection Association (NFPA), la American Society for Heating, Refrigeration and Air Conditioning Engineers (ASHRAE) et le code des autorités de votre région.
- E. Au moment de couper ou de percer un mur ou un plafond, assurez-vous de ne pas endommager la filerie électrique ou tout autre accès à un service public.
- F. Il faut toujours évacuer à l'extérieur les systèmes conduit.

⚠️ ATTENTION

Pour réduire les risques d'incendie et évacuer l'air correctement, assurez-vous que le conduit mène à l'extérieur; il ne faut pas évacuer l'air dans l'espace entre les murs, dans les plafonds, dans les greniers, les vides sanitaires ou les garages.

⚠️ AVERTISSEMENT

POUR RÉDUIRE DES RISQUES D'INCENDIE, UTILISEZ UNIQUEMENT DES CONDUITS EN MÉTAL.

Installez cette hotte en respectant toutes les exigences mentionnées.

⚠️ AVERTISSEMENT

Pour réduire les risques d'incendie et de choc électrique, n'utilisez pas cette hotte avec un contrôleur de vitesse à semi-conducteurs.

⚠️ ATTENTION

Dispositif à commande automatique - pour réduire le risque de Blessure Débrancher de l'alimentation électrique avant la maintenance.

⚠️ AVERTISSEMENT

POUR RÉDUIRE LES RISQUES D'INCENDIE DE GRAISSE SUR LES CUISINIÈRES.

- a) Ne laissez jamais la cuisinière sans surveillance lorsqu'elle est réglée à une haute température. Les débordements par bouillonnement causent de la fumée et des débordements de gras qui peuvent s'enflammer. Faites chauffer l'huile lentement, à une température basse ou moyenne.
- b) Faites toujours fonctionner la hotte lorsque vous utilisez la cuisinière à une haute température ou que vous faites flamber des aliments (P. ex.: crêpes Suzette, cerises jubilé, boeuf au poivre flambé).
- c) Nettoyez les hélices de ventilation fréquemment. Il ne faut pas que la graisse s'accumule sur les filtres ou les hélices.
- d) Utilisez le bon format de casserole. Utilisez toujours un chaudron de taille approprié à l'élément de la cuisinière.
- e) Convient pour utilisation dans la zone de cuisson domestique.

⚠️ AVERTISSEMENT

POUR ÉVITER DE BLESSER QUELQU'UN LORS D'UN INCENDIE DE GRAISSE SUR LA CUISINIÈRE, SUIVRE LES CONSEILS SUIVANTS:^a

- a) ÉTOUFFER LES FLAMMES avec un couvercle aux dimensions de la tôle de cuisson, une tôle à biscuit ou tout autre plateau métallique, puis couper le gaz ou l'alimentation électrique de la cuisinière. FAIRE ATTENTION A NE PAS SE BRÛLER. Si les flammes ne s'éteignent pas immédiatement, QUITTER LA PIÈCE ET APPELER LES POMPIERS.
- b) NE JAMAIS PRENDRE EN MAIN UNE CASSEROLE N FEU, vous pourriez vous blesser.
- c) NE PAS UTILISER D'EAU, y compris les essuies de vaisselle ou les serviettes humides - une violente explosion due à la vapeur formée pourrait survenir.
- d) Utiliser un extincteur SEULEMENT si:
 - 1) Vous êtes sûr d'avoir un extincteur de classe ABC que vous savez utiliser.
 - 2) Le feu est petit et confiné à la zone où il s'est formé.
 - 3) Les pompiers ont été appelés.
 - 4) Vous pouvez lutter contre le feu avec une sortie derrière vous.
- e) Les ventilateurs conduits doivent toujours être évacués vers l'extérieur.

a Recommandations tirées des conseils de sécurité en cas d'incendie de cuisine publiés par la NFPA.

MODE OPÉRATEIRE

Toujours laisser les grilles de sécurité et les filtres à leur place. Sans la présence de ces derniers, les parties aspirantes pourraient attirer les cheveux, les doigts ou les vêtements.

Le fabricant décline toute responsabilité si les informations détaillées dans ce manuel pour l'installation, l'entretien et l'utilisation adéquate du produit ne sont pas observées. Le fabricant décline en outre toute responsabilité pour d'éventuelles blessures dues à des négligences; en outre, la garantie de l'appareil sera annulée suite à des conditions d'entretien inappropriées. Cet appareil est fabriqué pour un

EXIGENCES ÉLECTRIQUES ET D'INSTALLATION

IMPORTANT

Respectez tous les codes et les ordonnances en vigueur.

Le client a la responsabilité de :

- Contacter un électricien-installateur.
- Vérifier que l'installation électrique est adéquate et conforme avec le Code national de l'électricité, ANSI/ NFPA 70 (la plus récente édition*), ou les normes C22.1-94, Code canadien de l'électricité, Partie 1 et C22.2 No.0-M91 (La plus récente édition**) de la CSA, ainsi que tous les codes et les ordonnances de votre région.
- Si le code le permet et que vous utilisez un fil de mise à la terre distinct, il est recommandé de faire vérifier le chemin du fil par un électricien.
- Ne pas mettre l'appareil à la terre sur une conduite de gaz.
- Consultez un électricien qualifié si vous n'êtes pas certain que la hotte est mise à la terre correctement.
- N'installez pas un fusible dans le circuit neutre ou le circuit de mise à la terre.

IMPORTANT

- Conservez ces instructions afin de pouvoir les remettre à l'inspecteur-électricien.
- La hotte doit être câblée uniquement à l'aide de fils de cuivre.
- Il faut raccorder la hotte directement à une boîte à fusible ou à un disjoncteur par l'entremise d'une canalisation électrique en métal.
- Le calibre de fil doit être conforme aux exigences du Code national de l'électricité, ANSI/NFPA 70 (La plus récente édition*), ou les normes C22.1-94, Code canadien de l'électricité, Partie 1 et C22.2 O-M91 (La plus récente édition**) de la CSA, ainsi que tous les codes et les ordonnances de votre région.
- Il faut prévoir un connecteur de canalisation approuvé par l'UL ou la CSA à chaque extrémité de la canalisation d'alimentation (À la hotte et à la boîte de jonction).

Copies of the standards listed may be obtained from:

* National Fire Protection Association Batterymarch Park Quincy, Massachusetts 02269

** CSA International 8501 East Pleasant Valley Road Cleveland, Ohio 44131-5575

⚠ AVERTISSEMENT

Pour réduire les risques d'incendie et de choc électrique, installez cette hotte qu'avec les modèles de moteurs internes et externes d'une portée maximale de 7.7 A/ 926 W, ou de moteurs internes fabriqués par Elica (pour les modèles de référence, voir le tableau des accessoires facultatifs).

MODÈLE DE HOTTE	Kit moteur Interne 1200 KIT0156655		Kit moteur externe 1200 KIT0153054	
	A	W	A	W
ECP136SS	7.6	913	7.6	913
ECP148SS	7.7	926	7.7	926

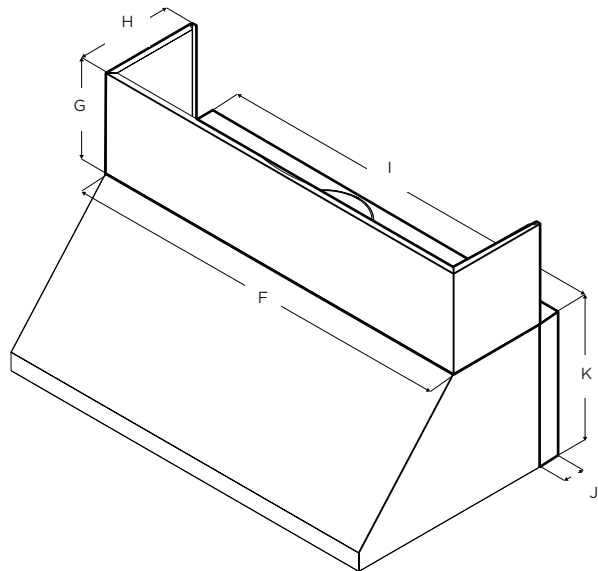
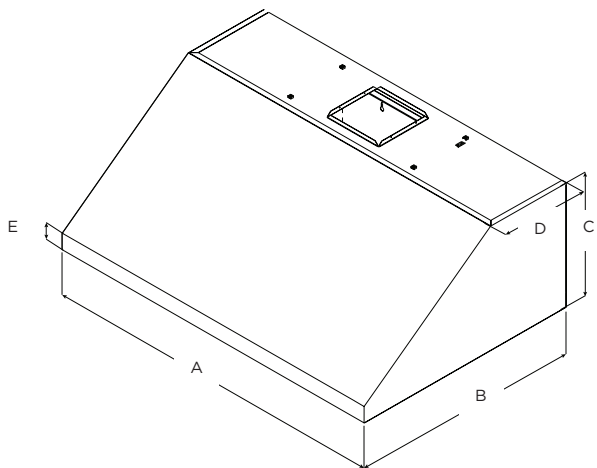
AVANT D'INSTALLER LA HOTTE

- 1 Pour assurer la ventilation la plus efficace possible, installez la conduite en ligne droite ou avec le moins de coudes possibles.
- 2 Deux personnes sont nécessaires pour effectuer l'installation.
- 3 La quincaillerie fournie permet de fixer la hotte à la plupart des murs et des plafonds; consultez un installateur qualifié pour vous assurer que la quincaillerie fournie est adaptée à votre type de mur ou d'armoire.
- 4 N'utilisez pas de conduit flexible.
- 5 Dans le cas des endroits sujets aux TEMPÉRATURES FROIDES, il faut installer un clapet de contre-tirage supplémentaire afin de minimiser le retour d'air froid et un isolant thermique non métallique afin de minimiser la conduction de la température extérieure dans le conduit. Il faut placer le clapet du côté de l'air froid de l'isolant thermique.
L'isolant doit être placé le plus près possible de l'endroit où le conduit entre dans la partie chauffée de la maison.

⚠ AVERTISSEMENT

Convient pour une utilisation dans un endroit humide lorsqu'il est installé dans un circuit de dérivation protégé par GFCI.

DIMENSIONS DU PRODUIT



	Modèles	
	ECP136SS	ECP148SS
A	36" (91.2 cm)	48" (121.7 cm)
B	32" (81.38 cm)	
C	18" (45.71 cm)	
D	11 ⁵ / ₁₆ " (30.25 cm)	
E	2 ⁹ / ₃₂ " (5.41cm)	

Accessoire Caché Conduit	F	G	H
KIT0156637	36" (91.2 cm)	6"	11 ⁵ / ₁₆ " (30.25 cm)
KIT0156641	48" (121.7 cm)		
KIT0156645	36" (91.2 cm)	12"	
KIT0156649	48" (121.7 cm)		
Kit d'entretoise de profondeur	I	J	K
KIT0153304	36" (91.2 cm)	3"	18" (45.71 cm)
KIT0153305	48" (121.7 cm)		

OUTILS ET PIÈCES

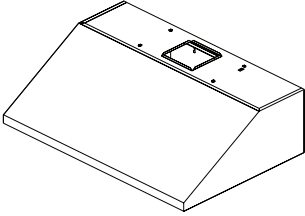




Retrait de l'emballage


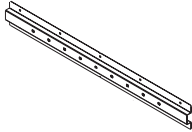


⚠ ADVERTISSEMENT

Retirez le carton avec précaution, portez des gants pour vous protéger des bords tranchants.

⚠ ATTENTION

Remove the protective film covering the product before putting into operation.

Supplied Part	Pieces
 Hotte et lampes Led déjà installées	1
 5.4x75 mm vis de montage	14
 6.4x18 mm rondelles plates	4
 Noix carrées	9
 4.2x19 mm vis de montage	4

Supplied Part	Pieces
 Transition ronde de 10" (25.4cm)	1
 Support Horizontal	1
 10x60 mm ancrages muraux (Maçonnerie)	14
 6x16 mm vis de montage	9

Pièces no fournies

Outil nécessaires

- Perceuse
- Foret de 1/4" (3.0 cm), 1/8" (3.0 mm), 1/16" (4.8 mm) drill bits
- Crayon
- Pince à dénuder ou couteau utilitaire
- Mètre-ruban ou règle
- Pince
- Pistolet à calfeutrage et composé de calfeutrage résistant aux intempéries
- Brides de conduit
- Scie sauteuse ou scie à guichet
- Tournevis à lame plate
- Cisaille de ferblantier
- Tournevis Phillips

Pièces nécessaires

- Câble d'alimentation domestique
- Serre-câble de 1/2" (12,7 mm) (homologation UL ou CSA)
- 3 connecteurs de fils homologués UL
- Bouche de décharge murale ou à travers le toit correspondant au système d'évacuation
- Système de conduit d'évacuation métallique

Accessoires optionnels et consommables

Accessoire	# Pièce	
	36" (91.2 cm)	48" (121.7 cm)
Moteur Interne 1200 Kit	KIT0156655	
Moteur Externe 1200 Kit*	KIT0153054	
Kit d'entretoise de profondeur 3"*	KIT0153304	KIT0153305
Caché Conduit de 6" Kit	KIT0156637	KIT0156641
Caché Conduit de 12" Kit	KIT0156645	KIT0156649

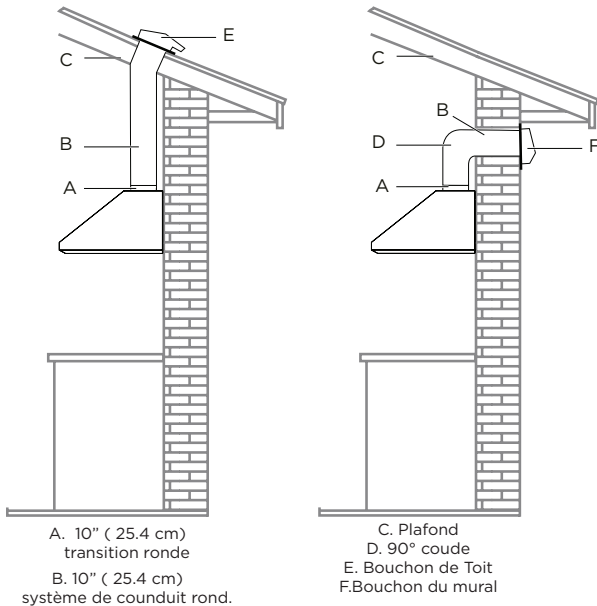
*Accessoires vendus exclusivement aux États-Unis et au Canada

EXIGENCES CONCERNANT L'EVACUATION

Suivez attentivement les instructions données dans ce manuel. Toute responsabilité pour tous les inconvénients, dommages ou incendies causés par le non-respect des instructions de ce manuel est déclinée.

Méthodes de Ventilation

Utilisez une transition ronde de 10" (25.4 cm) et un système de conduit rond de 10" (25.4 cm) pour l'évacuation des fumées vers l'extérieur.



Préparation

Ne coupez pas une solive ou un poteau, sauf en cas d'absolue nécessité. Si une solive ou un poteau doit être coupé, un cadre de soutien doit être construit.

Le matériel de fixation est fourni pour fixer la hotte à la plupart des types de murs / plafonds.

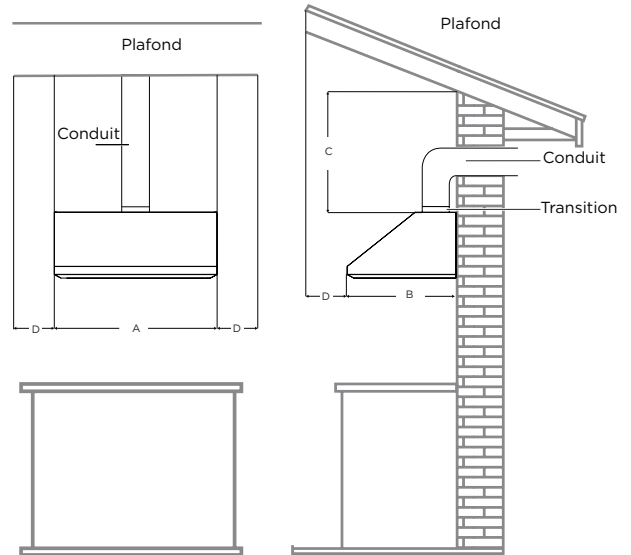
Cependant, un technicien qualifié doit vérifier l'adéquation des matériaux en fonction du type de mur / plafond.

Avant de faire des découpes, assurez-vous qu'il y a un dégagement suffisant dans le plafond ou le mur pour la ventilation.

Considérations sur les plafonds et les conduits

IMPORTANT: Cette hotte est destinée aux terrasses et terrasses couvertes extérieures. Cet appareil doit être protégé des intempéries.

IMPORTANT: Le périmètre du toit doit mesurer au moins 6" (15,3cm) de plus à partir des bords latéraux et avant de la hotte.



Mesures minimales au plafond

	ECP136SS	ECP148SS
A	36" (91.2 cm)	48" (121.7 cm)
B	32" (81.38 cm)	
C	18" (45.7 cm)	
D	6" (15.3 cm) minime	

⚠ ATTENTION

Pour les installations avec une table de cuisson au gaz: Montez la hotte de sorte que le fond soit à au moins 30 "(76,2 cm) au-dessus de la surface de cuisson.

Il n'y a pas de hauteur de montage maximale; cependant, nous vous recommandons d'installer la hotte à une hauteur maximale de 36 "(91,4 cm) au-dessus de la surface de cuisson. Pour chaque pouce (2,54 cm) au-dessus de 36" (91,4 cm), l'efficacité de capture des fumées et de l'humidité diminue à un rythme croissant et peut ne pas fournir un niveau de performance de ventilation acceptable.

IMPORTANT: Ce modèle de hotte n'est pas conçu pour une utilisation au carbone.

VEUILLEZ LIRE LE MANUEL D'INSTALLATION POUR UNE APPLICATION SPÉCIFIQUE.

IMPORTANT: Le chapeau de toit et le chapeau de mur doivent être pris en compte pour empêcher l'entrée de l'eau. Une fois installé, il doit être scellé pour éviter les fuites.

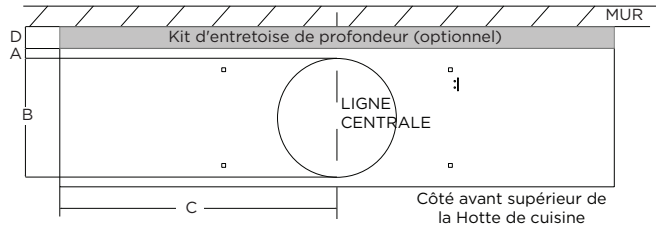
INSTRUCTIONS D'INSTALLATION

Préparation de l'emplacement

À l'extérieur échappement supérieur

(Conduit vertical - 10" Transition Ronde)

Utilisez le schéma ou la hotte comme modèle et marquez les emplacements au plafond ou au mur pour les gaines, les câbles électriques et les fentes de vis en trou de serrure. Il est recommandé de faire les marques avant l'installation.

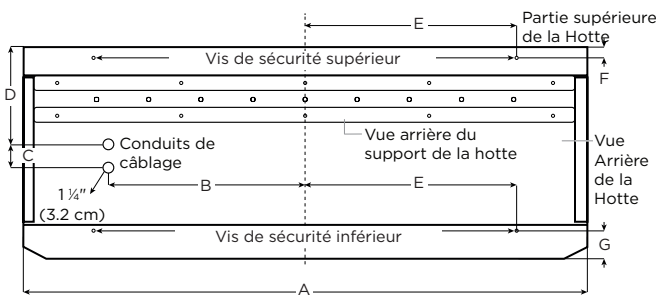


	Modèles	
	ECP136SS	ECP148SS
A	1 1/16" (2.2 cm)	
B	Ø 10 1/4" (26 cm)	
C	18" (45.71 cm)	24" (60.8 cm)
D*	3" (7.62 cm)	

*Mesure optionnelle

Installer un cadre pour le soutien de la hotte

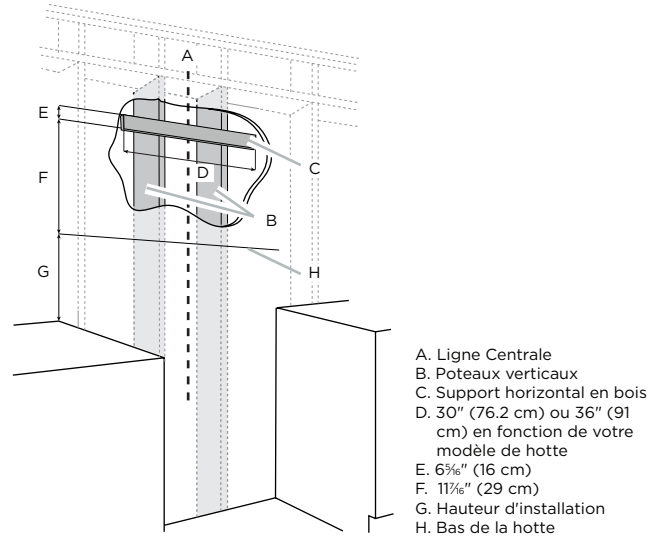
- 1 Retirez le découpe électrique.
- 2 Marquez les emplacements du prédécoupés et les trous pour les vis de sécurité supérieures et inférieures.
REMARQUE: Utilisez le schéma inférieur et marquez les emplacements d'installation sur le mur. Il est recommandé de faire les marques avant l'installation.



	Modèles	
	ECP136SS	ECP148SS
A	36" (91.2 cm)	48" (121.7 cm)
B	10 13/16" (27.2 cm)	16 1/16" (42.4 cm)
C	2" (5 cm)	
D	8 5/16" (21.1 cm)	
E	12" (30.4 cm)	18" (45.6 cm)
F	7/8" (2.4 cm)	
G	2 7/16" (6.2 cm)	

- 3 Si du placoplâtre est présent, coupez suffisamment pour exposer 2 poteaux verticaux à l'emplacement indiqué pour les trous. Installez une support horizontaux du bois entre deux poteaux muraux à l'emplacement d'installation des trous de montage inférieur et supérieur. Voir le diagramme pour déterminer la mesure nécessaire.

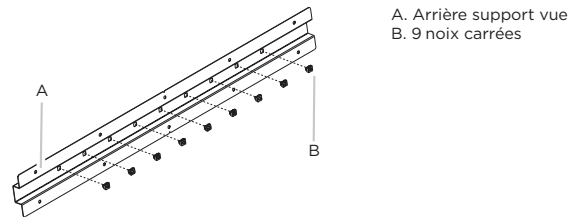
- 4 Le support horizontal doit affleurer le côté pièce des montants. Utilisez des cales derrière les deux côtés du support pour fixer les montants du mur.
REMARQUE: Cette structure doit être suffisamment solide pour supporter 330 lb (150 kg).
- 5 Réinstallez le cloison sèche et réparez.



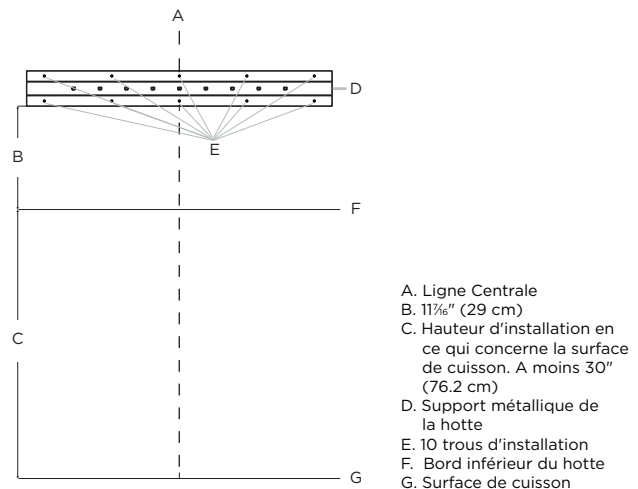
- 6 Découpez des trous aux emplacements marqués pour le conduit et le câblage électrique.

Installer le support de la hotte

- 1 Enlevez la protection.
- 2 À l'arrière du support, vous devez installer les écrous à 9 noix carrées

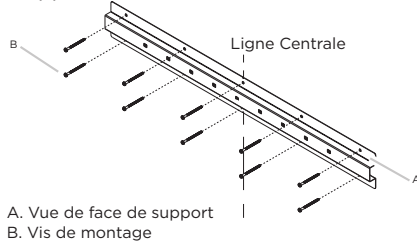


- 3 Utilisez le support comme modèle et marquez un trait d'axe vertical.
- 4 Mesurer la hauteur d'installation suggérée; au moins 30" (76,2 cm).
- 5 Du bas du support, marquez une distance totale de 11 1/16" (29 cm), et marquez une ligne horizontale.
- 6 Placez le support en métal sur la hotte et marquez les trous d'installation sur le mur avec un crayon.



- 7 Percez les avant-trous de 1/8" (3.0 mm) sur l'emplacement des vis jusqu'à ce qu'ils pénètrent dans le mur.
- 8 Retirez le support.

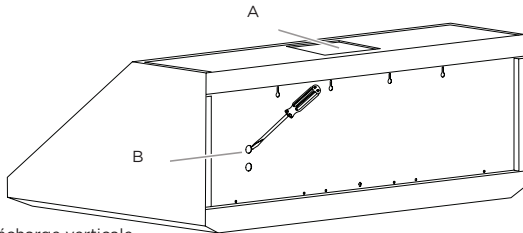
- 9 With a $\frac{5}{8}$ " (15.8 mm) drill the pilot holes and place the wall anchors in the pilot holes. Avec un trou de $\frac{5}{8}$ " (15.8 mm) , percez les avant-trous et placez les ancrages muraux dans les avant-trous.
- 10 Placez le support et fixez-le avec les vis de fixation.



Installation

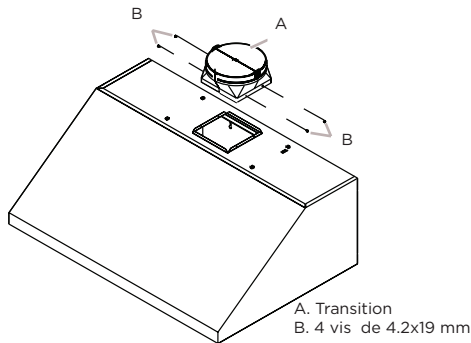
Après avoir choisi les méthodes de ventilation, procédez comme suit:

- Si possible, déconnectez et déplacez-vous de manière autonome ou par insertion gamme pour fournir un accès plus facile à la paroi arrière. Sinon, placez un épais revêtement protecteur sur le comptoir, la table de cuisson ou la cuisinière pour le protéger des dommages et des débris. Sélectionnez une surface plane pour l'assemblage de l'unité. Recouvrez cette surface avec un revêtement protecteur et placez-y toutes les pièces et tout le matériel de la hotte.
- Déterminez et marquez la ligne centrale sur le mur où le hotte canopée sera installé. Sélectionnez une hauteur de montage et marquer sur le mur.
- Préparez les conduits et les découpes de conduit au besoin.
- Retirez les entrées défonçables à l'aide d'un tournevis à lame plate et un petit marteau. Utilisez le tournevis en tapant le panneau de la même manière la mode à un scalpel. Prenez soin des arêtes vives.



A. Décharge verticale
B. Découpe électrique

- Fixez la transition d'échappement d'air sur l'ouverture de défonce à l'aide de 4 vis - 4,2x19 mm.



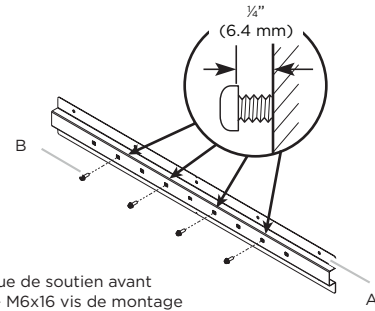
A. Transition
B. 4 vis de 4.2x19 mm

REMARQUE:

L'adaptateur / registre d'échappement peut être installé jusqu'à 1 pouce de chaque côté du centre de la hotte afin de s'adapter aux conduits hors centre. Dans les installations extrêmes, il peut être nécessaire de couper l'une des extrémités du connecteur de gaine pour dégager le serre-câble électrique.

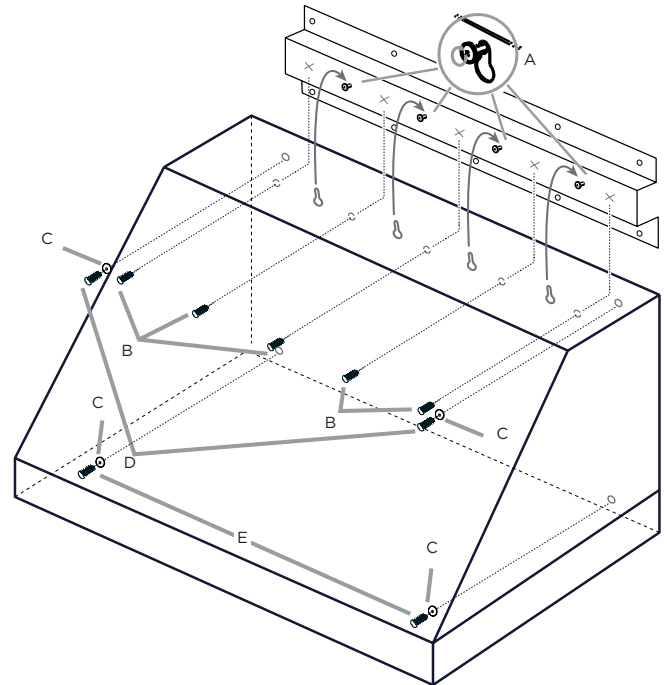
Monter la hotte

- 1 Installez les 4 pièces des vis sélectionnées à l'emplacement des vis de fixation (voir l'image).
REMARQUE: Laissez un espace de $\frac{1}{4}$ " (6.4 mm) entre le mur et l'arrière de la tête de la vis pour faire glisser la hotte en place.



A. Vue de soutien avant
B. 4- M6x16 vis de montage

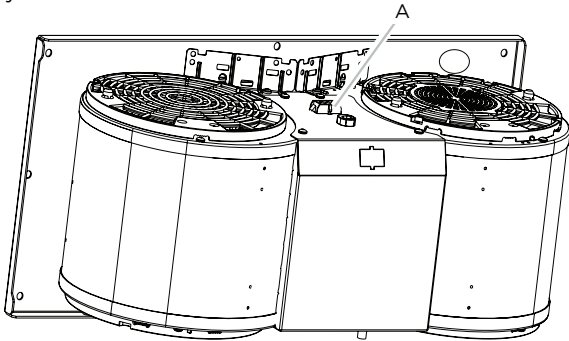
- 2 Fixez le conduit de câblage de la hotte.
- 3 Faites glisser la hotte contre le mur. Serrer les vis de fixation. Assurez-vous que les têtes de vis se trouvent dans le col étroit de la fente en trou de serrure.
- 4 Enfoncez 5 pièces des vis sélectionnées à l'emplacement inférieur des vis de sécurité (voir l'image ci-dessous).
- 5 Enfoncez 2 pièces des vis e rondelles sélectionnées à l'emplacement supérieur et inférieur des vis de sécurité (voir l'image ci-dessous).
- 6 Connecter les conduits à la hotte.



A. 4 Vis de montage M6x16
B. 5 Vis de montage M6x16
C. Rondelles 6,4x18 mm
D. Vis de sécurité supérieures
E. Vis de sécurité inférieures

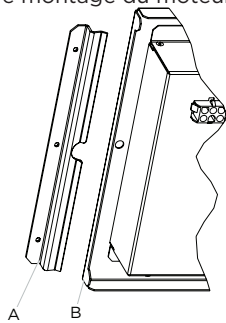
Installer le moteur interne de la hotte (Non inclus)

- 1 Retirez les filtres à graisse de la hotte. Voir la section "Entretien" dans le Guide d'utilisation et d'entretien.
- 2 Installez le moteur du ventilateur de la hotte de cuisinière à l'intérieur du capot de la hotte de cuisinière avec le raccordement de câblage à l'avant ou au sommet pour le système à double moteur.



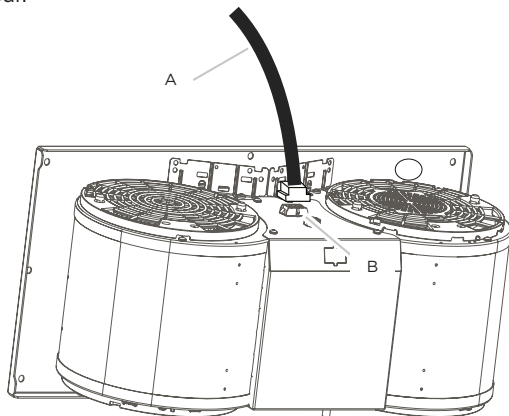
A. Connexion de câblage

- 3 Faites glisser la bride de la plaque de montage gauche sous le support de montage du moteur.



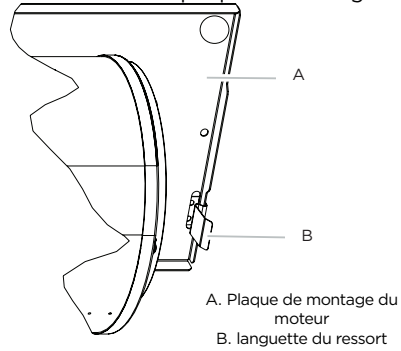
A. Support de montage du moteur
B. Plaque de montage bride gauche

- 4 Branchez les fils d'alimentation et le connecteur de la boîte à bornes de la hotte et le brancher à la fiche électrique du moteur.



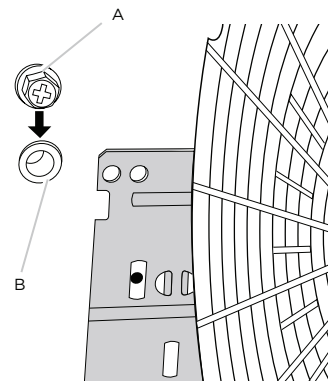
A. Prise électrique du moteur
B. Fils d'alimentation et connecteur

- 5 Poussez l'extrémité droite de la plaque de montage du moteur vers le haut et enclenchez-la dans la languette du ressort. **REMARQUE:** la languette à ressort doit être à l'extérieur de la fente de la plaque de montage.



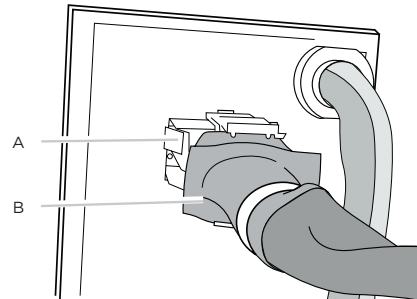
A. Plaque de montage du moteur
B. languette du ressort

- 6 Aligner les trous de montage et installer des vis de 6 x 16 mm et des rondelles de 6,4 mm



A. Vis avec rondelle frein
B. Trou de montage

- 7 Branchez le connecteur d'alimentation de la hotte au connecteur du boîtier de câblage du moteur de la soufflante.



A. Connecteur d'alimentation du moteur du ventilateur
B. Connecteur d'alimentation de la hotte

CONNEXION ÉLECTRIQUE

⚠ AVERTISSEMENT

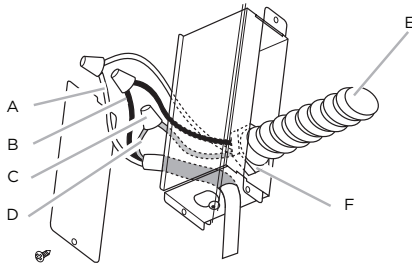
RISQUE DE CHOC ÉLECTRIQUE.

⚠ AVERTISSEMENT

DÉBRANCHEZ L'ALIMENTATION AVANT L'ENTRETIEN.
REMPLEZ TOUTES LES PARTIES ET PANNEAUX AVANT DE COMMENCER.
LE NON-RESPECT DE CET ÉTAPE PEUT ENTRAÎNER LA MORT OU UN CHOC ÉLECTRIQUE.

REMARQUE: Pour retirer le couvercle de la boîte de jonction, utilisez un petit tournevis Phillips (moins de 15 cm de hauteur) pour s'adapter à l'espace intérieur de la hotte.

- Retirez la découpe et le couvercle de la boîte de jonction et installez le connecteur de conduit (répertorié cULus) dans la boîte de jonction.



- A. Fils blancs
- B. Fils noirs
- C. Connecteur de fil répertorié UL
- D. Fil de terre vert (ou nu) et jaune-vert
- E. Câble d'alimentation domestique
- F. Réducteur de tension ½" homologué UL ou approuvé CSA

- Exécuter 3 fils; noir, blanc et vert, conformément au code national de l'électricité et aux codes et ordonnances locaux, dans un conduit de ½" du panneau de service à la boîte de jonction

⚠ AVERTISSEMENT

RISQUE DE CHOC ÉLECTRIQUE.

⚠ AVERTISSEMENT

SOUFFLERIE ÉLECTRIQUEMENT À LA TERRE.
CONNECTER LE FIL DE TERRE AU FIL DE TERRE VERTE ET JAUNE DANS LA BOÎTE À BORNES. LE NON-RESPECT DE CET ÉTAPE PEUT ENTRAÎNER LA MORT OU UN CHOC ÉLECTRIQUE.

- Connectez le fil noir du panneau de service au noir ou au rouge dans la boîte de jonction, du blanc au blanc et du vert au vert-jaune.
- Fermez et verrouillez le couvercle de la boîte de jonction.

COMPLETEZ L'INSTALLATION

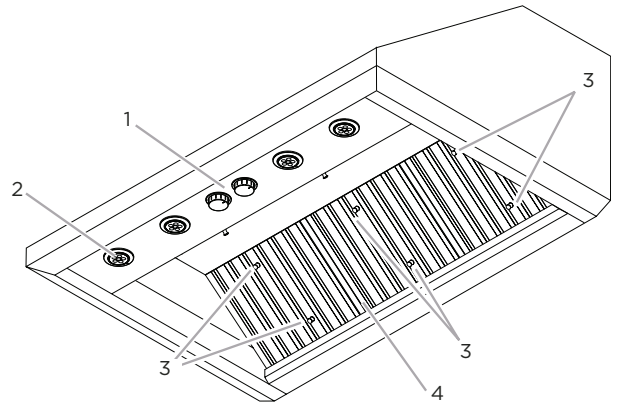
Remplacez les filtres.
Vérifiez le fonctionnement de la hotte.

Si la hotte ne fonctionne pas:

- Vérifiez que le disjoncteur ne s'est pas déclenché ou que le fusible de la maison n'a pas sauté.
- Débranchez l'alimentation. Vérifiez que le câblage est correct.

Pour tirer le meilleur parti de votre nouvelle hotte, lisez la section "Entretien".
Conservez vos instructions d'installation et votre guide d'utilisation et d'entretien à proximité de la hotte de cuisine pour pouvoir vous y référer facilement.

DESCRIPTION DE LA HOTTE



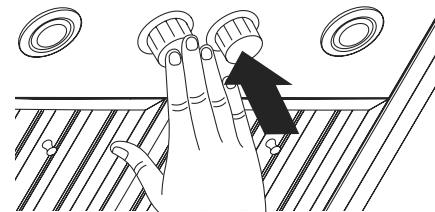
1. Commandes du ventilateur et LED lampes
2. Lampes à LED
3. Filtre à graisse poignée
4. Filtre à graisse

Panneau de commande

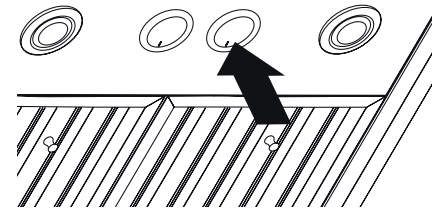
La hotte de cuisinière est conçue pour éliminer la fumée, les vapeurs de cuisson et les odeurs de la table de cuisson. Pour de meilleurs résultats, mettez la hotte en marche avant la cuisson et laissez-la fonctionner plusieurs minutes après la cuisson pour éliminer toute la fumée et les odeurs de la cuisine. Les commandes de la hotte sont situées au centre de la hotte.

Boutons de retrait

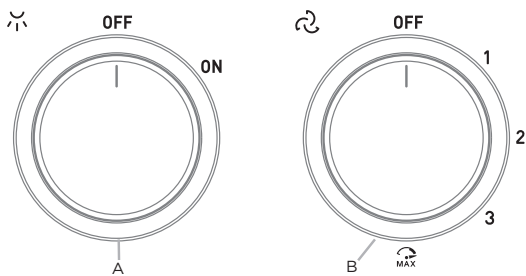
- Vous pouvez masquer les boutons de commande en les appuyant jusqu'à affleurer le corps de la hotte.



- Une nouvelle pression sur les boutons abaisse les boutons et permet à l'utilisateur de faire fonctionner les lumières et le souffleur.



Contrôles



A. Bouton Lampes

B. Bouton du ventilateur

Faire fonctionner les lampes

1. Tournez le commutateur d'éclairage sur "ON" pour allumer les lumières de la hotte.
2. Tournez le commutateur d'éclairage sur «OFF» pour éteindre les lumières de la hotte.

Operating the blower

1. Turn the blower switch at "1" to turn the range hood on.
2. Turn the blower switch to the desired speed position.
3. Turn the blower switch to the "MAX" position to turn the range hood on High.
4. Turn the blower switch to the "OFF" position to turn the range hood blower Off.

Auto On blower

La hotte est équipée d'un capteur pour allumer automatiquement le ventilateur lorsque de la chaleur excessive est détectée dans la zone de contrôle. Lorsque le commutateur de la soufflante est en position "Off", ce capteur fera tourner la soufflante à haute vitesse si nécessaire. Lorsque la chaleur diminue, le ventilateur s'éteint. Lorsque l'interrupteur de la soufflante est en position marche, le capteur de chaleur n'est pas actif et la hotte de cuisinière fonctionne normalement.

ENTRETIEN

⚠ AVERTISSEMENT

La hotte doit être débranchée de la source d'alimentation avant tout entretien ou nettoyage.

Nettoyage

Surfaces extérieures:

Pour éviter d'endommager la surface extérieure, n'utilisez pas de tampons à récurer en laine d'acier ni à savon. Frotter dans la direction du grain pour éviter de rayer la surface. Toujours essuyer pour éviter les traces d'eau.

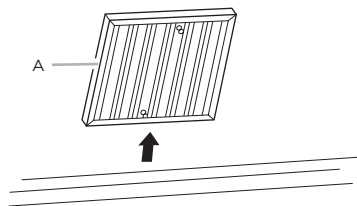
- Appliquez le produit nettoyant Bar Keepers Friend®.
- Essuyer avec un chiffon doux humide ou une éponge non abrasive, puis rincer à l'eau claire et essuyer

REMARQUE: Pour éviter les traces de taches et améliorer l'apparence de la cagoule, il est recommandé d'utiliser le nettoyant doux et le vernis BAR KEEPERS FRIEND.

1. Bien agiter avant d'utiliser.
2. Presser sur une surface humide ou une éponge humide.
3. Frotter sur la surface souillée au besoin.
4. Rincer soigneusement dans la minute qui suit, puis essuyer.

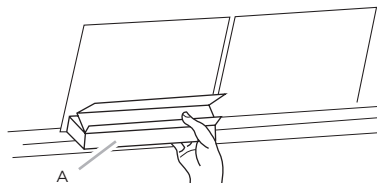
Filtres métalliques et plateaux d'égouttement:

1. Utilisez les 2 mains pour enlever les filtres.
2. Saisir les poignées du filtre, tirer vers l'avant de la hotte et tirez sur la poignée arrière pour la retirer. Répéter pour chaque filtre.



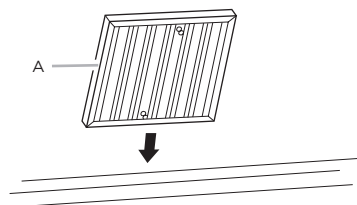
A. Filtre à graisse

3. Retirer le bac collecteur de graisse.



A. Collecteur de graisse.

4. Lavez les filtres métalliques et les bacs à graisse selon vos besoins lave-vaisselle ou solution détergente chaude à nettoyer.
5. Remplacez le bac collecteur de graisse.
6. Réinstallez les filtres, saisissez les poignées de filtre et placez le bord avant de filtre dans la hotte.
7. Relevez la poignée arrière et placez l'arrière du filtre dans le bac d'égouttage à sécuriser. Répétez pour chaque filtre.



A. Filtre à graisse

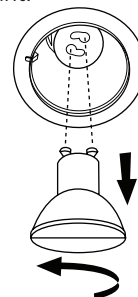
Remplacement d'une lampe à LED

Éteignez la hotte et laissez refroidir la lampe à DEL.

Pour éviter d'endommager ou de réduire la durée de vie de la nouvelle lampe, ne touchez pas la lampe avec les doigts nus. Remplacez la lampe en utilisant un chiffon ou des gants en coton pour manipuler la lampe.

Si les nouvelles lampes ne fonctionnent pas, assurez-vous qu'elles sont correctement insérées avant d'appeler le service d'assistance.

- 1 Débranchez le courant.
- 2 Poussez sur l'objectif et tournez-le dans le sens antihoraire.
- 3 Retirez la lampe et remplacez-la par une lampe halogène de 120 volts, 7,5 W watts maximum avec culot GU10. Tournez-le dans le sens des aiguilles d'une montre pour le verrouiller.
- 4 Répétez les étapes 2 et 3 pour les autres lampes si nécessaire.
- 5 Rebranchez le courant.



POUR OBTENIR UN DEPANNAGE SOUS GARANTIE

Le propriétaire doit présenter une preuve de la date d'achat. Garder une copie de votre preuve d'achat datée (ticket de caisse) de façon à pouvoir bénéficier du service après-vente sous garantie.

GARANTIE PIÈCES DE RECHANGE ET MAIN D'OEUVRE

Pendant une période de deux (2) ans à partir de la date d'achat, Elica s'engage à fournir gratuitement les pièces de rechange ou les composants autres que les recharges ayant des défauts de fabrication.

Durant cette garantie de deux (2) ans, Elica fournira également gratuitement, toute la main d'oeuvre et le service à domicile pour remplacer d'éventuelles pièces défectueuses.

CE QUE LA GARANTIE NE COUVRE PAS

- Dégât ou panne du produit causé par un accident ou un cas de force majeure tels que inondation, incendie ou tremblement de terre.
- Dégât ou panne du produit causé par modification du produit ou utilisation de pièces pas d'origine.
- Dégât ou panne du produit causé lors de la livraison, de la manipulation ou de l'installation.
- Dégât ou panne du produit causé par une mauvaise utilisation.
- Dégât ou panne du produit causé par un remplacement des fusibles ou une remise en fonction des disjoncteurs par le propriétaire.
- Dégât ou panne du produit causé par une utilisation du produit pour raison commerciale.
- Déplacement à domicile pour explication d'utilisation ou d'entretien.
- Ampoules, filtres métalliques ou au charbon et toute autre pièce consommable.
- Usure normale.
- Usure due à une mauvaise utilisation du propriétaire, un entretien incorrect, une utilisation de substances nettoyantes corrosives ou abrasives et produits de nettoyage pour four.

QUI EST COUVERT

Cette garantie s'étend à l'acheteur original de produits achetés pour un usage domestique habituel en Amérique du Nord (Y compris Etats Unis, Guam, Porto Rico, les Iles virgins Américaines & le Canada).

Cette garantie n'est pas transférable et vaut uniquement pour l'acheteur original et ne s'étend pas aux propriétaires successifs du produit. Cette garantie vaut expressément en lieu et place de toute autre garantie, expresse ou sous-entendue, mais ne limite pas toute autre garantie sous-entendue de marchandage ou adaptation dans un but particulier et toute autre obligation de la part de Elica North America, étant entendu, cependant, que si la réclamation pour garanties sous-entendues n'est pas applicable aux yeux de la loi en vigueur, la durée de toute garantie sous-entendue émanant de la loi doit être limitée à deux (2) ans à partir de la date d'achat du produit ou à une période plus longue selon ce que dit la loi en vigueur.

Cette garantie ne couvre pas tout dégât particulier, accidentel et/ou consécutif, ni les pertes et profits, à charge du propriétaire, des ses clients et/ou des utilisateurs Des produits.

QUI CONTACTER

Pour obtenir un Service Après-vente durant la Garantie ou pour toute autre Question liée au Service Après-vente:

Appeler:

- Service Après-vente autorisé Elica North America au (888) 732-8018
- Pour l'Est du Canada, composez le 1-888 651 2534 *Demandez le service après-vente*

Contenido

Aviso de seguridad importante 27

 Requisitos eléctricos y de instalación 28

 Antes de instalar la campana 28

Dimensiones del producto 29

Lista de materiales 30

 Piezas suministradas 30

 Piezas no suministradas 30

Métodos de Instalación 31

Instrucciones de Instalación 31

 Prepare la ubicación 31

 Instalación 33

 Instale el motor interno de la campana 34

 Conexión Eléctrica 35

 Complete la instalación 35

Descripción de la campana 35

Control..... 36

Mantenimiento 37

Garantía 38

**APROBADO PARA APARATOS DE USO DOMÉSTICO
SÓLO PARA USO DOMÉSTICO
LEA Y GUARDE ESTAS INSTRUCCIONES**

**ANTES DE CONTINUAR, LEA LAS INSTRUCCIONES POR COMPLETO.
LA INSTALACIÓN DEBE CUMPLIR TODA LA NORMATIVA LOCAL.**

IMPORTANTE: Guarde estas instrucciones para su uso por parte del inspector de electricidad local.

INSTALADOR: Entregue al propietario estas instrucciones junto con la unidad.

PROPIETARIO: Conserve estas instrucciones para futuras consultas.

Advertencia de seguridad: Antes de realizar el cableado de este aparato, desactive el circuito de energía eléctrica en el panel de servicio y desbloquee el panel.

Requisito: Circuito auxiliar de 120 V AC, 60 Hz. 15 ó 20 A.

CAMPANA PURIFICADORA
 Marca: ELICA
 Modelos: ECP136SS, ECP148SS
 Contenido: 1 pza
 Hecho en México
 Fabricado por: ELICAMEX S.A. de C.V.
 Dirección: Av. La Noria No. 102 int. S/N Col.
 Parque Industrial Querétaro
 Del. Santiago de Querétaro, C.P. 76220 Querétaro,
 R.F.C. EII060102RK8

AVISO DE SEGURIDAD IMPORTANTE

PRECAUCIÓN

SÓLO PARA USO DE VENTILACIÓN GENERAL. NO UTILIZAR PARA EXPULSAR VAPORES O MATERIALES PELIGROSOS O EXPLOSIVOS.

ADVERTENCIA

PARA REDUCIR EL RIESGO DE FUEGO, DESCARGA ELÉCTRICA O LESIONES PERSONALES, RESPETE LO SIGUIENTE:

- A. Utilice esta unidad solamente en el modo que indica el fabricante. En caso de duda, póngase en contacto con el fabricante.
- B. Antes de reparar o limpiar la unidad, desconecte la alimentación en el panel de servicio y bloquee los medios de desconexión del panel de servicio para evitar la conexión accidental de la alimentación. Si no es posible bloquear los medios de desconexión del panel de servicio, coloque un dispositivo de advertencia que destaque como, por ejemplo, una etiqueta, en el panel de servicio.
- C. La instalación y el cableado eléctrico deben realizarlos personas cualificadas de acuerdo con las normativas y los estándares aplicables, incluida la construcción ignífuga.
- D. Es necesaria una ventilación suficiente para la correcta combustión y expulsión de gases por la salida de humos (Chimenea) del equipo de combustión de carburante para evitar el contratiro. Siga las directrices de fabricantes de equipos de calefacción y los estándares de seguridad como los publicados por la National Fire Protection Association (NFPA), American Society for Heating, Refrigeration and Air Conditioning Engineers (ASHRAE) y las normativas locales.
- E. Al efectuar orificios en una pared o techo, no dañe el cableado eléctrico y otras instalaciones ocultas.
- F. Los sistemas instalados mediante conducto deben tener ventilación con salida al exterior.

PRECAUCIÓN

Para reducir el riesgo de fuego y conseguir una salida del aire correcta, asegúrese de conducir el aire hacia el exterior. No permita que el aire se expulse en espacios situados en el interior de muros, techos, desvanes, sótanos de pequeña altura o garajes.

ADVERTENCIA

PARA REDUCIR EL RIESGO DE FUEGO, UTILICE SOLAMENTE TUBOS METÁLICOS.

Instale esta campana de acuerdo con los requisitos especificados.

ADVERTENCIA

Para reducir el riesgo de fuego o descarga eléctrica, no utilice esta campana con ningún dispositivo externo en estado sólido para el control de la velocidad.

ADVERTENCIA

PARA REDUCIR EL RIESGO DE INCENDIO OCASIONADO POR GRASA:

- a) No deje nunca ninguna unidad externa desatendida y con valores de fuego altos. La cocción puede causar humo o reboses de grasa que pueden prender fuego. Caliente el aceite a fuego lento o medio.
- b) Encienda siempre la campana cuando cocine a una temperatura alta o cuando realice flameados (por ejemplo, Crepas Suzette, cerezas flameadas, ternera a la pimienta flameada).
- c) Limpie con frecuencia los ventiladores. No permita que la grasa se acumule en el ventilador o filtro.
- d) Utilice un tamaño de sartén adecuado. Utilice siempre piezas de batería de cocina adecuadas al tamaño del elemento de superficie.

ADVERTENCIA

PARA REDUCIR EL RIESGO DE LESIONES PERSONALES, EN CASO DE FUEGO OCASIONADO POR GRASA, TENGA EN CUENTA LO SIGUIENTE:^a

- a) EXTINGA LAS LLAMAS con una tapa ajustada, una lámina para hacer galletas u otro tipo de bandeja metálica y apague el quemador de gas o elemento eléctrico. TENGA CUIDADO PARA EVITAR QUEMADURAS. Si las llamas no se extinguen inmediatamente, DESALOJE EL LUGAR Y LLAME A LOS BOMBEROS.
- b) NUNCA TOME UNA SARTÉN EN LLAMAS, podría sufrir quemaduras.
- c) NO UTILICE AGUA, incluidas bayetas o toallas húmedas ya que se produciría una violenta explosión de vapor.
- d) Utilice un extintor SÓLO si:
 - 1) Sabe que dispone de un extintor de la clase ABC y conoce su funcionamiento.
 - 2) El fuego es pequeño y se encuentra en la misma zona donde se inició.
 - 3) Ha llamado a los bomberos.
 - 4) Puede luchar contra el fuego teniendo una salida a su espalda.

^aBasado en "Consejos de seguridad para fuegos se cocina" publicado por NFPA.

PRECAUCIÓN

Equipo operado automáticamente - para reducir el riesgo de lastimarse desconecte de la línea antes de dar servicio.

ADVERTENCIA

Adecuado para su uso en una ubicación húmeda cuando se instala con un circuito derivado protegido por GFCI.

REQUERIMIENTOS E INSTALACIÓN ELÉCTRICA

Use esta unidad de la manera para la que fue diseñada por el fabricante. Si tiene preguntas, póngase en contacto con el fabricante.

- Electrodoméstico diseñado exclusivamente para su uso en interiores.
- Antes de dar servicio o limpiar la unidad, apague el suministro de energía en el panel de servicio y bloquee los medios de desconexión del servicio para evitar que se encienda accidentalmente el suministro de energía. Cuando el medio de desconexión del servicio no se pueda bloquear, sujete de manera segura un dispositivo de advertencia prominente, como podría ser una etiqueta, al panel de servicio.
- Limpie la unidad de acuerdo a las instrucciones descritas en este manual para evitar riesgo de incendio.
- El trabajo de instalación y cableado se debe llevar a cabo por una persona(s) calificada(s), en conformidad con todos los códigos y estándares aplicables, incluyendo construcciones clasificadas como resistentes al fuego.
- En caso de que su cordón de alimentación llegue a sufrir un daño parcial o total no trate de repararlo acuda al centro de servicio marcado en su garantía o bien con un técnico especialista para su sustitución.
- Es necesario que haya suficiente aire para la adecuada combustión y ventilación de gases a través del conducto (la chimenea) del equipo que consume combustible, para evitar que ocurra contratiro. Siga la guía y los estándares de seguridad del fabricante del equipo de calefacción.
- Cuando corte o taladre en una pared o techo, no dañe el cableado ni otros servicios públicos.
- Los ventiladores con conductos siempre deben dar salida al aire hacia el exterior.
NOTA: Sólo para versión Aspirante.
- Para usarse solamente en ventilación común. No lo utilice para ventilar materiales y vapores peligrosos o explosivos.
- Sólo use conductos metálicos.

RECOMENDACIONES GENERALES

- Nunca deje las unidades de superficie sin vigilancia cuando estén en ajustes altos. Los derrames por hervor causan salpicaduras grasosas y humeantes, las cuales pueden encenderse. Caliente los aceites lentamente y con ajustes bajos o medios.
- Siempre ENCIENDA LA CAMPANA cuando cocine.
- Limpie los filtros anti-grasa con frecuencia (al menos cada 2 meses). No permita que se acumule la grasa en el filtro. Aplica para filtros de aluminio.
- Se recomienda cambiar los filtros de carbón cada 6 meses.
- No flamear alimentos bajo la campana de cocina.
- Use cacerolas del tamaño adecuado. Siempre use utensilios de cocción que sean los adecuados para el tamaño del elemento de la superficie.
- Este aparato no se destina para utilizarse por personas (incluyendo niños) cuyas capacidades físicas, sensoriales o mentales sean diferentes o estén reducidas o carezcan de experiencia o conocimiento a menos que dichas personas reciban supervisión o capacitación del funcionamiento del aparato por una persona responsable de su seguridad.
- Los niños deben supervisarse para asegurar que ellos no empleen los aparatos como juguete.
- No use el ventilador de la campana con ningún dispositivo semiconductor para el control de la velocidad.

⚠ ADVERTENCIA

Para reducir el riesgo de fuego y choque eléctrico, instale esta campana sólo con modelos de motor internos y externo con rangos máximos de 7.7 A/ 926 W, o motores internos fabricados por Elica (para modelos de referencia, vea la tabla de accesorios opcionales).

MODELO DE CAMPANA	Kit de motor Interno 1200 KIT0156655		Kit de motor Externo 1200 KIT0153054	
	A	W	A	W
ECP136SS	7.6	913	7.6	913
ECP148SS	7.7	926	7.7	926

IMPORTANTE

Cumpla todas las normativas y ordenanzas gubernamentales. Es responsabilidad del cliente:

- Ponerse en contacto con un instalador eléctrico cualificado.
- Asegurarse de que la instalación eléctrica es adecuada y en conformidad con National Electrical Code, ANSI/NFPA 70 (última edición*) o CSA Standards C22.1-94, Canadian Electrical Code, Parte 1 y C22.2 No.0-M91 (última edición*) y toda la normativa y las ordenanzas locales.
- Si la normativa lo permite y se utiliza un cable de toma a tierra independiente, se recomienda que un electricista cualificado determine si la difracción de onda de tierra es la adecuada.
- No ubique la toma a tierra en una tubería de gas.
- Si no está seguro de que la campana está correctamente conectada a tierra, consulte a un electricista cualificado.
- No coloque ningún fusible en el circuito neutral o con vuelta por tierra.

IMPORTANTE

- Guarde las instrucciones de instalación para su uso por parte del inspector de electricidad.
- La campana debe estar conectada únicamente con hilo de cobre.
- La campana debe estar conectada directamente al desconectador con fusible (o disyuntor) mediante canal metálico de cables eléctricos.
- Los tamaños de cable deben cumplir los requisitos de la National Electrical Code, ANSI/NFPA 70 (última edición*) o CSA Standards C22.1-94, Canadian Electrical Code, Parte 1 y C22.2 No.0-M91 (última edición*) y toda la normativa y las ordenanzas locales.
- Es preciso colocar un conector de canal de cables enumerado en U.L. o C.S.A. en cada extremo del canal de cables de fuente de alimentación (en la campana y en la caja de conexiones).

Se pueden obtener copias de los estándares enumerados en:

* National Fire Protection Association Batterymarch Park Quincy, Massachusetts 02269

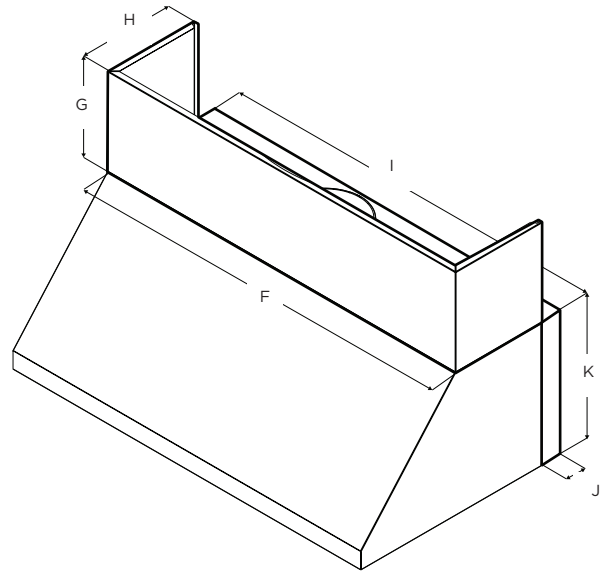
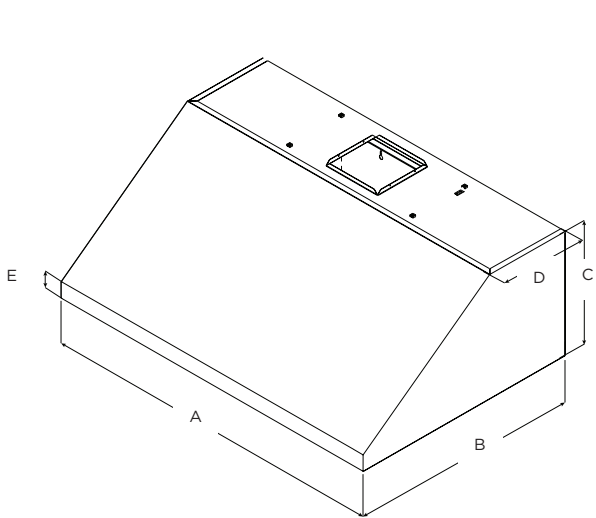
** CSA International 8501 East Pleasant Valley Road Cleveland, Ohio 44131-5575

REQUERIMIENTOS E INSTALACIÓN ELÉCTRICA

ANTES DE INSTALAR LA CAMPANA

- 1 Para obtener una circulación del flujo de aire más eficaz, utilice un tubo de tramo recto o el menor número posible de tubos acodados.
PRECAUCIÓN: el conducto de ventilación solamente debe tener salida hacia la parte exterior del edificio.
- 2 Para realizar la instalación, se necesitan al menos dos personas.
- 3 La campana se ajusta mediante material adecuados para la mayoría de superficies; consulte a un instalador cualificado para comprobar si quedan perfectamente ajustados al armario o a la pared. No emplee tubos flexibles.
- 4 Las instalaciones en **CONDICIONES CLIMÁTICAS FRÍAS** deben tener instalado un regulador de contratiro adicional para minimizar el flujo de aire inverso y una rotura térmica no metálica para minimizar la conducción de temperaturas externas como parte de los tubos. El regulador debe de encontrarse en la parte de aire frío de la rotura térmica. La rotura debe estar lo más cerca posible al lugar donde los tubos entran en la parte caliente de la casa.
- 5 Aire limpio: Las normativas locales para edificios pueden requerir el uso de sistemas de aire limpio cuando se utilizan sistemas de ventilación mediante tubos superiores al CFM especificado de movimiento de aire.
- 6 El CFM especificado varía de una zona a otra. Para conocer los requisitos específicos de su zona, consulte a un profesional de HVAC.

DIMENSIONES DEL PRODUCTO



	Modelos	
	ECP136SS	ECP148SS
A	36" (91.2 cm)	48" (121.7 cm)
B	32" (81.4 cm)	
C	18" (45.7 cm)	
D	11 7/8" (30.2 cm)	
E	2 1/8" (5.4 cm)	

Kit de Cubre ductos	F	G	H
KIT0156637	36" (91.2 cm)	6"	11 15/16" (30.25 cm)
KIT0156641	48" (121.7 cm)		
KIT0156645	36" (91.2 cm)	12"	
KIT0156649	48" (121.7 cm)		
Kit de espaciador	I	J	K
KIT0153304	36" (91.2 cm)	3"	18" (45.71 cm)
KIT0153305	48" (121.7 cm)		

LISTA DE MATERIALES

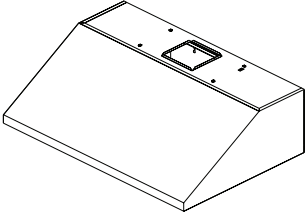
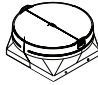

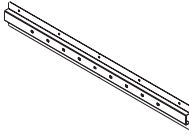





Remoción del empaque

⚠ PRECAUCIÓN

Quite la caja cuidadosamente, use guantes para protegerse contra los bordes afilados.

⚠ ADVERTENCIA

Quite la película de protección que cubre el producto antes de ponerlo en funcionamiento.

Partes Suministradas	Piezas	Partes Suministradas	Piezas
 <p>Ensamble de campana con lámparas LED ya instaladas</p>	1	 <p>Transición redonda de 10" (25.4 cm)</p>	1
 <p>Tornillos de montaje de 5.4x75 mm</p>	14	 <p>Soporte Horizontal</p>	1
 <p>Rondanas de 6.4x18 mm</p>	4	 <p>Taquetes de 10x60 mm (Para instalación en concreto)</p>	14
 <p>Tuerca cuadrada</p>	9	 <p>Tornillos de montaje de 6x16 mm</p>	9
 <p>Tornillos de montaje de 4.2x19 mm</p>	4		

Partes no suministradas

Herramientas necesarias

- Taladro con brocas de Broca 1/4" (3.0 cm), 1/8" (4.8 cm) y 1/8" (3.0 mm)
- Lápiz
- Pinzas para cortar y pelar cable
- Cinta métrica, regla o flexómetro
- Pistola selladora y resanador a prueba de agua
- Abrazaderas
- Caladora o sierra
- Tijeras para corte de metal
- Destornillador plano y Phillips

Partes necesarias

- Cable de alimentación eléctrica
- 1 conducto de cable de 1/2" (12.7 mm) aprobado por UL o CSA
- 3 conectores de cables aprobados por UL
- 1 boquilla para pared o techo
- Ducto metálico

Accesorios opcionales

KIT	# Parte	
	36" (91.2 cm)	48" (121.7 cm)
Kit de Motor Interno 1200	KIT0156655	
Kit de Motor Externo 1200*	KIT0153054	
Kit Espaciador de profundidad de 3"*	KIT0153304	KIT0153305
Kit de Cubre ductos de 6"	KIT0156637	KIT0156641
Kit de Cubre ductos de 12"	KIT0156645	KIT0156649

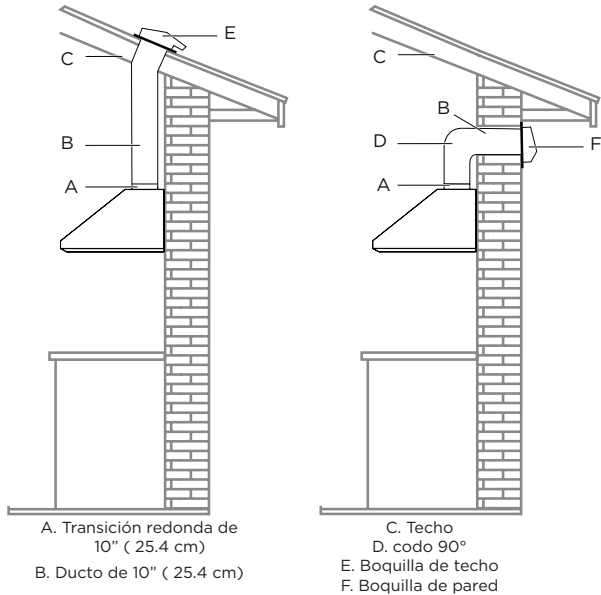
*Accesorios de venta exclusiva en EU y Canadá

MÉTODOS DE VENTILACIÓN

Siga de cerca las instrucciones establecidas en este manual. Se declina toda responsabilidad, por eventuales inconvenientes, daños o incendios causados por el incumplimiento de las instrucciones de este documento.

Métodos de Ventilación

Use una transición redonda de 10" (25,4 cm) y un sistema de ductos redondo de 10" (25,4 cm) para la descarga de humos hacia el exterior.



Preparación

No corte una viga a menos que sea absolutamente necesario. Si se debe cortar una viga, entonces se debe colocar un marco de soporte para la campana.

Se proporciona material de instalación para cubrir la mayoría de los tipos de paredes / techos.

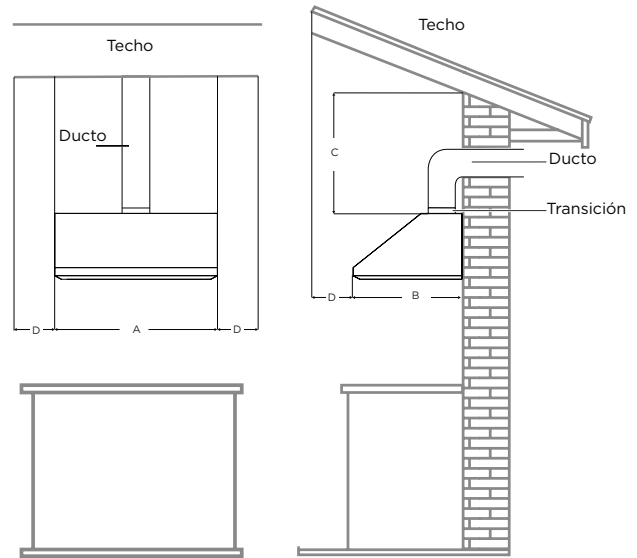
Sin embargo, un técnico calificado debe verificar la idoneidad de los materiales de acuerdo con el tipo de pared / techo.

Antes de hacer recortes, asegúrese de que haya un espacio adecuado dentro del techo o en la pared para la salida de aire.

Consideraciones del Techo y Ducto

IMPORTANTE: Esta campana extractora está diseñada para patios o terrazas cubiertas al aire libre. Esta unidad debe estar protegida de los efectos del clima.

IMPORTANTE: El perímetro del techo debe exceder un mínimo de 6" (15,3 cm) los bordes laterales y delanteros de la campana.



Consideraciones mínimas del techo

	ECP136SS	ECP148SS
A	36" (91.2 cm)	48" (121.7 cm)
B	32" (81.38 cm)	
C	18" (45.7 cm)	
D	6" (15.3 cm) mínimo	

⚠ PRECAUCIÓN

Para instalaciones en estufas a gas: monte la campana de manera que la parte inferior esté al menos a 30" (76,2 cm) por encima de la superficie de cocción.

No hay una altura de montaje máxima, sin embargo, recomendamos montar la campana a no más de 36" (91,4 cm) por encima de la superficie de cocción. Por cada pulgada (2,54 cm) por encima de 36" (91,4 cm), la eficiencia de captura de humos y humedad disminuye a un ritmo cada vez mayor y es posible que no ofrezca un nivel aceptable de rendimiento de ventilación.

IMPORTANTE: Este modelo de campana no está diseñado para uso con carbón

POR FAVOR LEA EL MANUAL DE INSTALACIÓN PARA UNA APLICACIÓN ESPECÍFICA.

IMPORTANTE: La cubierta de techo de la pared deben considerarse para evitar la entrada de agua. Una vez instalado, debe estar sellado para evitar filtraciones.

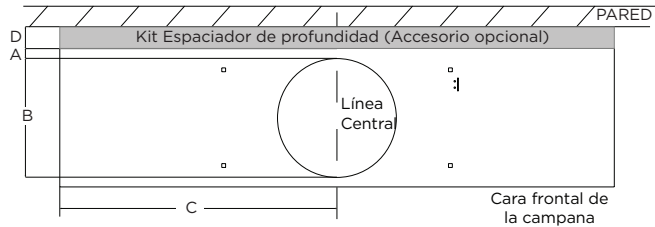
INSTRUCCIONES DE INSTALACIÓN

Prepara la ubicación

Descarga Superior

(Conducto vertical - Transición redonda de 10")

Use el diagrama o la cubierta como plantilla y marque las ubicaciones en el techo o la pared para los conductos, el cableado eléctrico y las ranuras de los tornillos. Se recomienda hacer las marcas antes de la instalación.

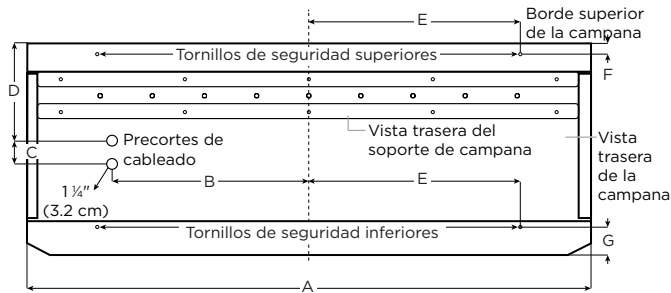


	Modelos	
	ECP136SS	ECP148SS
A	1 1/16" (2.2 cm)	
B	Ø 10 1/4" (26 cm)	
C	18" (45.71 cm)	24" (60.8 cm)
D*	3" (7.62 cm)	

*Medida opcional

Instale la estructura para el soporte de la campana

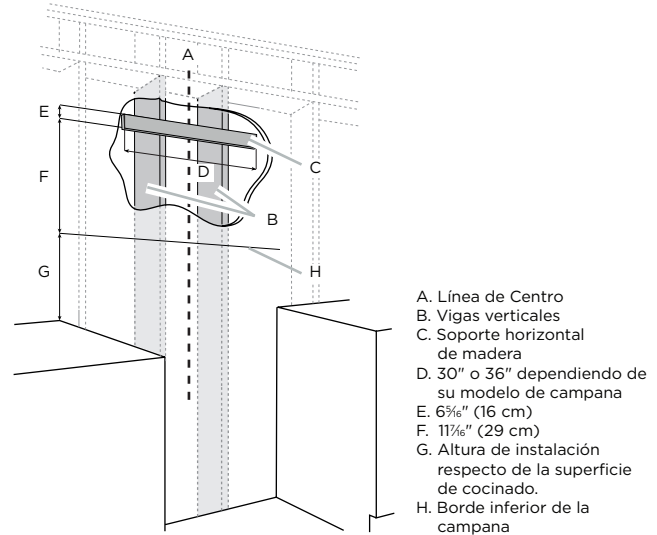
- 1 Retire los precortes del cableado.
- 2 Marque las ubicaciones de los precortes y los orificios de los tornillos superiores e inferiores de seguridad. **NOTA:** Use el diagrama inferior para realizar las marcas. Se recomienda hacer las marcas antes de la instalación.



	Modelos	
	ECP136SS	ECP148SS
A	36" (91.2 cm)	48" (121.7 cm)
B	10 1/16" (27.2 cm)	16 1/16" (42.4 cm)
C	2" (5 cm)	
D	8 5/16" (21.1 cm)	
E	12" (30.4 cm)	18" (45.6 cm)
F	7/8" (2.4 cm)	
G	2 7/16" (6.2 cm)	

- 3 Si hay paneles de yeso, recórtelos lo suficiente para exponer 2 postes verticales. Instale un soporte horizontal de madera entre los dos postes, en la ubicación de instalación de los orificios de montaje inferior y superior del soporte de campana. Vea el diagrama para determinar la medida necesaria.

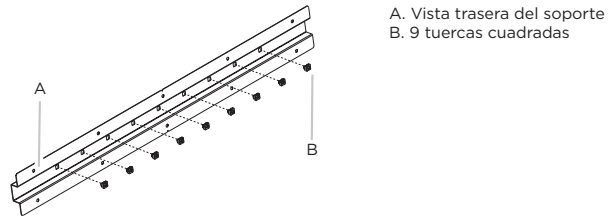
- 4 El soporte horizontal debe estar al raz por detrás de la pared. **NOTA:** Esta estructura debe ser lo suficientemente fuerte para soportar el peso de 330 lb (150 kg).
- 5 Vuelva a instalar el panel de yeso y el acabado.



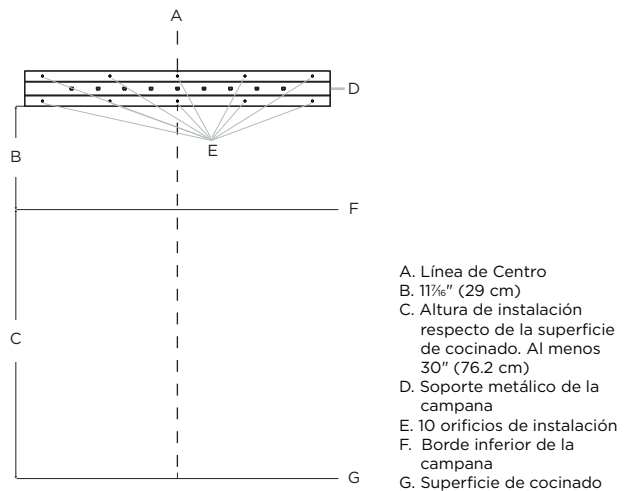
- 6 Corte los orificios en los lugares marcados para el conducto y el cableado eléctrico.

Instale el soporte de la campana

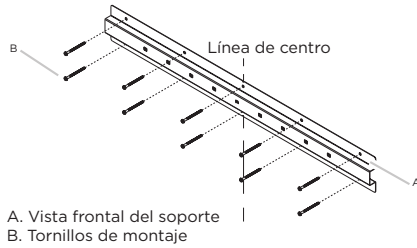
- 1 Retire el protector del soporte.
- 2 Desde la parte posterior del soporte debe instalar las 9 tuercas cuadradas.



- 3 Marque la línea central vertical.
- 4 Mida la altura de instalación sugerida; al menos 30" (76.2 cm).
- 5 Marque una distancia de 11 7/16" (29 cm) desde la superficie de cocinado y trace una línea horizontal.
- 6 Coloque el soporte metálico de la campana y marque con un lápiz los orificios de instalación en la pared.



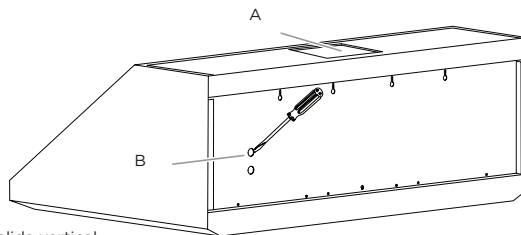
- 7 Perfore los orificios guía de $\frac{1}{8}$ " (3,0 mm) sobre la ubicación de los tornillos hasta que penetre en la pared.
- 8 Con un taladro de $\frac{3}{8}$ " (15,8 mm) taladre los orificios guía y coloque los anclajes de pared en los orificios guía.
- 9 Coloque el soporte y sujételo con los tornillos de montaje.



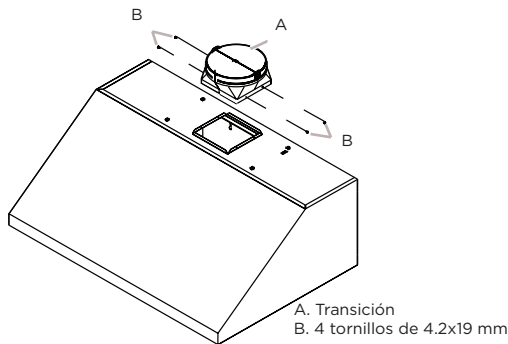
Instalación

Después de haber elegido el método de ventilación, proceda de la siguiente manera:

- Si es posible, desconecte y mueva su estufa para facilitar el acceso a la pared trasera.
De lo contrario, coloque una cubierta protectora gruesa sobre la encimera o la estufa para protegerla de daños y escombros. Seleccione una superficie plana para montar la unidad. Cubra esa superficie con una cubierta protectora y coloque todas las piezas y accesorios de la campana.
- Determine y marque la línea central en la pared donde está se instalará la campana. Seleccione una altura de montaje y márquela en la pared.
- Prepare los cortes para el ducto y pasacables según sea necesario.
- Retire los precortes con un destornillador de punta plana y un pequeño martillo. Utilice el destornillador golpeando el precorte. Tenga cuidado con los bordes afilados.



- Fije la transición sobre la salida de aire superior con 4 tornillos de 4.2 x 19 mm.

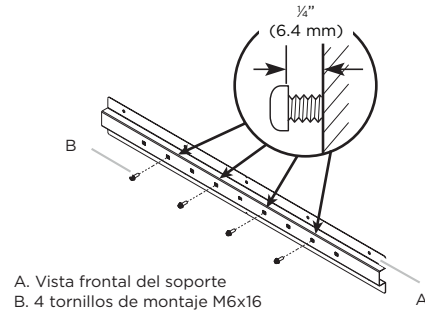


NOTA:

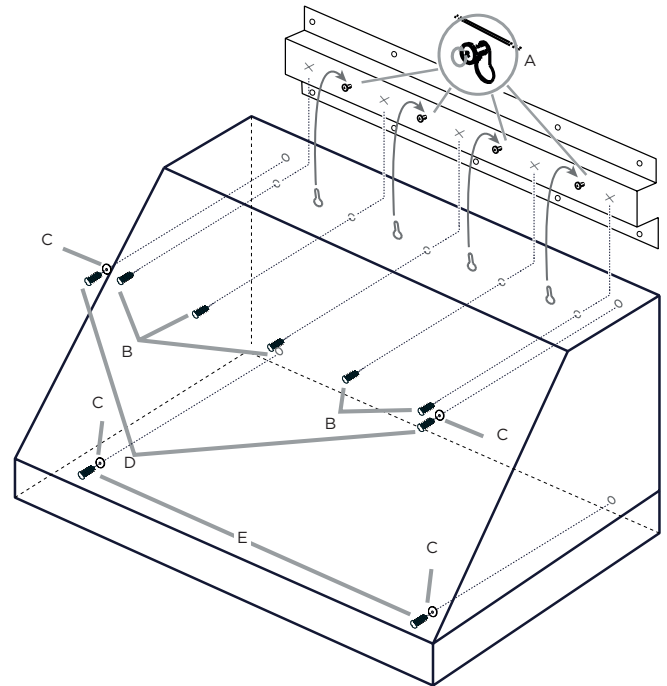
La transición se puede instalar hasta 1 pulgada a ambos lados del centro de la campana para acomodar el ducto.

Monte la campana

- 1 Instale las 4 piezas de los tornillos seleccionados en la ubicación de los tornillos de montaje (vea la imagen).
NOTA: Deje un espacio de $\frac{1}{4}$ " (6,4 mm) entre el soporte y la parte posterior de la cabeza del tornillo para deslizar la campana en su lugar.



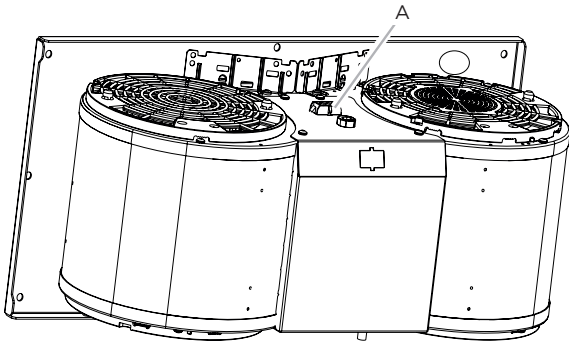
- 2 Coloque el conducto de cableado de la campana.
- 3 Deslice la campana hacia atrás contra la pared. Apriete los tornillos de montaje. Asegúrese de que las cabezas de los tornillos estén en el cuello estrecho de la ranura.
- 4 Atornille 5 tornillos seleccionados en la ubicación de los tornillos de seguridad inferior (consulte la imagen inferior).
- 5 Coloque 2 rondanas y 2 tornillos seleccionados en la ubicación de los tornillos de seguridad superior e inferior (vea la imagen inferior).
- 6 Conecte el ducto a la campana.



- A. 4 tornillos M6 x 16 de montaje (para colgar la campana)
B. 5 tornillos M6 x 16 de montaje (para asegurar la campana)
C. Rondanas 6,4 x 18 mm
D. Tornillos de seguridad superiores
E. Tornillos de seguridad inferiores

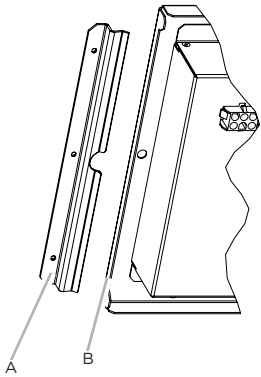
Instale el motor interno de la campana (No incluido)

- 1 Retire los filtros de grasa de la campana extractora. Consulte la sección "Mantenimiento" en la Guía de uso y cuidado.
- 2 Instale el motor dentro de la campana con la conexión de cableado a la izquierda para el sistema de motor individual y al frente o en la parte superior para el sistema de motor doble.



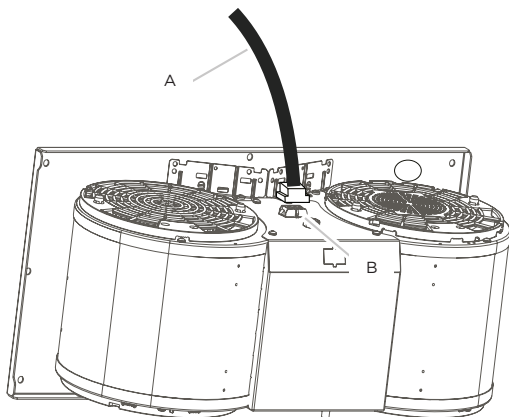
A. Conexiones de cableado.

- 3 Deslice la brida de montaje izquierda debajo del soporte de montaje del motor.



A. Soporte de montaje del motor
B. Brida de montaje izquierda

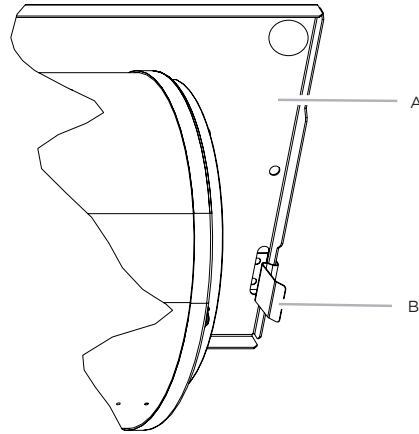
- 4 Pase los cables y el conector de la fuente de alimentación desde la campana a través del orificio en el extremo derecho de la placa de montaje del motor.



A. Cables y conector de la fuente de alimentación
B. Conexión eléctrica del motor

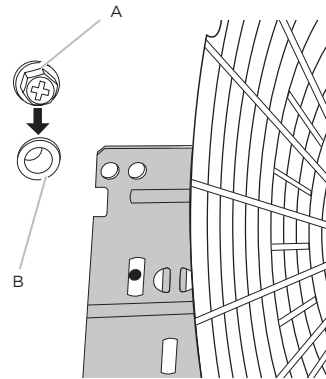
- 5 Empuje hacia arriba la parte frontal del ensamble de motor y atórelo en el clip de montaje.

NOTA: El clip de montaje debe estar por fuera de la ranura del ensamble motor.



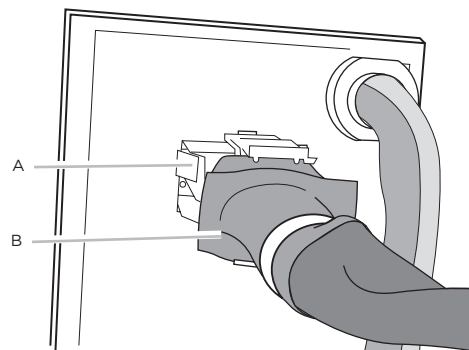
A. Ensamble de motor
B. Clip sujetor

- 6 Alinee los orificios e instale con 6 x 16 mm tornillos y rondanas de 6.4 mm.



A. Tornillo con rondana
B. Orificio de montaje

- 7 Conecte el cable de alimentación al conector de la caja de cables del ensamble motor.



A. Conector de energía del motor
B. Cable de energía de la campana

Conexión Eléctrica

Características eléctricas (nominales)

Modelo	ECP136SS	ECP148SS	
Voltaje	120 V +/- 10%		
Corriente	7.7 A	7.6 A	
Potencia	913 W	926 W	
Frecuencia	60 Hz		
Potencia máx. de lámparas	2 x 7.5 W	4 x 7.5W	
Consumo de energía	Modo de espera	0 W/h	
	Modo de operación	913 W/h	926 W/h

⚠ ADVERTENCIA

PELIGRO DESCARGA ELÉCTRICA.

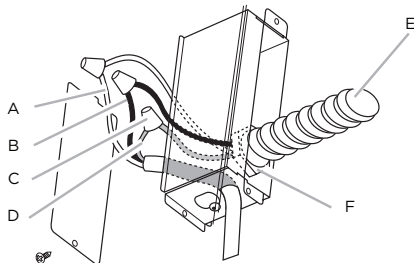
⚠ ADVERTENCIA

DESCONECTE EL SUMINISTRO DE ENERGÍA ANTES DE DARLE MANTENIMIENTO.

VUELVA A COLOCAR TODOS LOS COMPONENTES Y PANELES ANTES DE HACERLO FUNCIONAR. NO SEGUIR ESTAS INSTRUCCIONES PUEDE OCASIONAR LA MUERTE O CHOQUE ELÉCTRICO.

NOTA: Para retirar la cubierta de la caja de conexiones, use un destornillador Phillips pequeño (menos de 15 cm de altura) para encajar en el espacio interior de la campana.

- Quite el precorte removible que está en la caja de terminales e instale un protector de cables de ½" que esté en la lista de UL o esté aprobado por CSA.



A. Cables blancos
B. Cables negros
C. Conectores de cables aprobados por UL

D. Cables verdes (o desnudos) y amarillos - verdes de puesta a tierra
E. Cable de alimentación
F. Sujeta cable de ½" (aprobado por UL o CSA)

- Use conectores de cables que estén en la lista de UL y conecte los cables negros (B) juntos.
- Use conectores de cables que estén en la lista de UL y conecte los cables blancos (A) juntos.

⚠ ADVERTENCIA

PELIGRO DE CHOQUE ELÉCTRICO.

⚠ ADVERTENCIA

CONECTE EL MOTOR A TIERRA. CONECTE EL CABLE DE TIERRA AL CABLE VERDE Y AMARILLO DE CONEXIÓN A TIERRA EN LA CAJA DE TERMINALES.

NO SEGUIR ESTAS INSTRUCCIONES PUEDE OCASIONAR LA MUERTE O CHOQUE ELÉCTRICO.

- Conecte el alambre verde (o desnudo) de puesta a tierra del suministro de energía doméstico al alambre amarillo - verde de puesta a tierra (D) en la caja de terminales usando conectores de alambres que estén en la lista de UL.
- Cierre y asegure nuevamente la cubierta de la caja de terminales.

Complete la Instalación

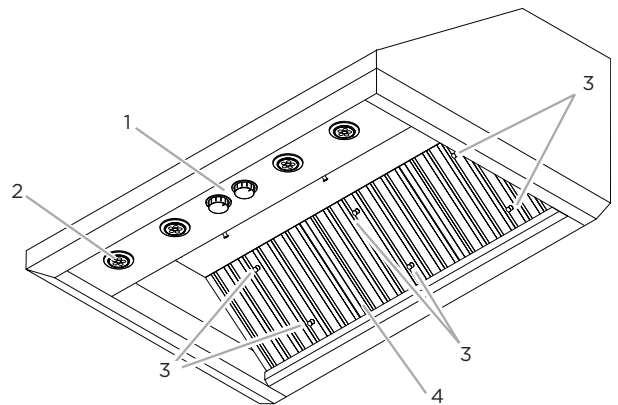
Vuelva a colocar los filtros. Verifique el funcionamiento de la campana.

Si la campana extractora no funciona:

- Compruebe si el disyuntor está desconectado o se han fundido los fusibles.
- Desconecte el suministro eléctrico. Compruebe si el cableado es correcto.

Para conseguir el funcionamiento más eficaz de la nueva campana extractora, lea la sección "Mantenimiento". Para disponer de una referencia sencilla, siga las Instrucciones de instalación y la Guía de uso y mantenimiento.

Descripción de la campana



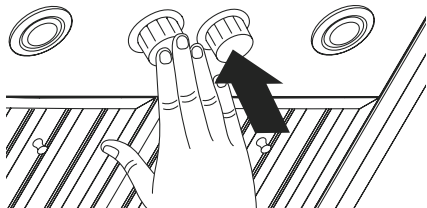
1. Controles de lámpara y motor
2. Lámparas LED
3. Manija de filtro de grasa
4. Filtro para grasa

Control

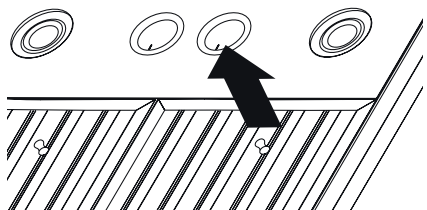
Esta campana está diseñada para remover humo, vapores de cocina y olores del área de cocina. Para mejores resultados, encienda la campana antes de cocinar y permita que opere algunos minutos después de haber terminado de cocinar para dispersar todo el humo y olores de la cocina. Los controles están localizados en la parte central de la campana.

Ocultar las perillas

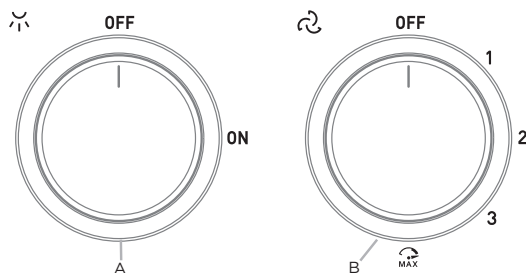
- Usted puede ocultar las perillas de los controles solo al presionar estos hacia abajo.



- Presione nuevamente para mostrar las perillas y habilitar las funciones de las lámparas y del motor.



Controles



A. Control de lámparas halógenas
B. Control de velocidades del motor

Funcionamiento de las lámparas

1. Gire el control a la posición "ON" para encender las luces.
2. Gire el control a la posición "OFF" para apagar las luces.

Funcionamiento del motor

1. Gire el control a la posición "1" para encender la campana.
2. Gire el control a la velocidad deseada.
3. Gire el control a la posición "MAX" para obtener la máxima potencia de su campana.
4. Gire el control a la posición "OFF" para apagar su campana.

Encendido automático del motor

La campana de cocina está equipada con un sensor que enciende automáticamente el motor cuando ésta detecta un exceso de calor en el área de control. Cuando el control del motor esté en la posición "OFF", este sensor encenderá el motor a máxima velocidad cuando sea necesario. Cuando el calor disminuya, el motor se apagará. Cuando el control del motor esté en la posición de encendido, el sensor de calor no estará activado y la campana de cocina funcionará normalmente.

Mantenimiento

⚠ ADVERTENCIA

Esta campana debe ser desconectada de la corriente antes de iniciar con la limpieza.

Limpieza

Superficies exteriores:

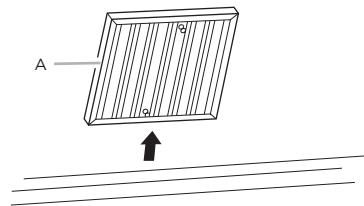
Para evitar el daño en las superficies externas, no use estropajos de acero ni jabonosos.

Siempre séquelo con un paño para evitar manchas de agua.

- Aplique el limpiador Bar Keepers Friend®.
- Límpielo con un paño suave húmedo o una esponja no abrasiva, enjuáguelo con agua limpia y séquelo con un paño.

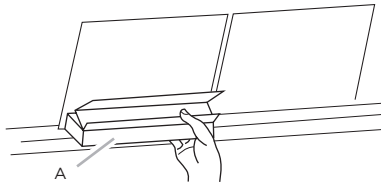
Filtros metálicos y graseras:

1. Use ambas manos para retirar los filtros.
2. Sujete las manijas de los filtros, jale hacia el frente de la campana y empuje hacia abajo para retirarlo. Repita el proceso para cada filtro.



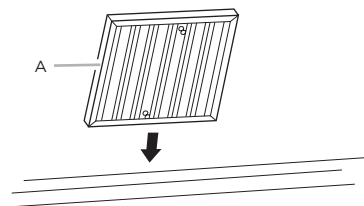
A. Filtro de grasa

3. Remueva las graseras.



A. Graseras

4. Lave los filtros metálicos y las graseras en lavaplatos o con solución jabonosa caliente.
5. Vuelva a colocar las graseras.
6. Reinstale los filtros.



A. Filtro de grasa

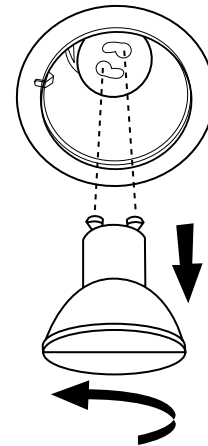
Reemplazo de las lámparas LED

Apague la campana de cocina y espere a que la lámpara se enfríe.

Para evitar daños en la nueva lámpara o que se disminuya la vida útil de ésta, no toque la lámpara directamente con los dedos descubiertos. Reemplace usando algún pañuelo o usando unos guantes de algodón al manejar la lámpara.

Si las nuevas lámparas no funcionan correctamente, asegúrese de que estén insertadas correctamente antes de llamar al servicio técnico.

1. Desconecte la corriente.
2. Gire el contador hacia el sentido contrario a las agujas del reloj.
3. Remueva la lámpara y reemplácela con la nueva lámpara LED de máximo 120-volt, 7.5 W para una base de GU10. Gírela en el sentido de las agujas del reloj para bloquearla en su lugar.
4. Repita los pasos 2-3 para las otras lámparas.
5. Reconecte la corriente.



PARA OBTENER SERVICIO DENTRO DE GARANTÍA

El propietario debe presentar su recibo original de la compra. Guarde por favor una copia de su recibo de compra como prueba, para recibir el servicio dentro del periodo de garantía.

PARTES Y GARANTÍA DE SERVICIO

Por el periodo de dos (2) años desde la fecha original de la compra, Elica proveerá, gratuitamente, partes no-consumibles o componentes que hayan fallado debido a defectos de fabricación. Durante estos dos (2) años de garantía limitada, Elica también proveerá gratuitamente, todo el servicio en casa y mano de obra necesaria para reemplazar cualquier parte defectuosa.

QUÉ NO ESTÁ CUBIERTO

- Daños o fallas del producto causados por accidente o actos de Dios, tales como inundaciones incendios o terremotos.
- Daños o fallas causadas por alteración del producto o por el uso de partes no-originales.
- Daños o fallas del producto causados durante la entrega, manejo o instalación.
- Daños o fallas del producto causados por abuso del usuario.
- Daños o fallas del producto causados por reemplazo de fusibles dañados o reseteo de interruptor de circuito.
- Daño o fallas causados por el uso del producto en un ambiente comercial (no doméstico).
- Viajes de servicio para proporcionar orientación de uso o instalación.
- Bombillas, filtros de carbón o metal y cualquier otra parte consumible.
- Desgaste normal.
- Desgaste terminal debido a abusos del usuario, mantenimiento inadecuado, uso de productos / toallas de limpieza corrosivos o abrasivos y por uso de limpiadores para hornos.

QUIÉN ESTÁ CUBIERTO

Esta garantía se extiende al comprador original de productos adquiridos para uso residencial en Norte América (incluyendo Estados Unidos, Guam, Puerto Rico, Islas Vírgenes de EU y Canadá).

Esta garantía no es transferible y aplica solamente al comprador original y no se extiende a propietarios subsecuentes del producto. Esta garantía se expresa en lugar de otras garantías, expresadas o implicadas, incluyendo, pero no limitada a ninguna garantía implicada de comercialización o adaptada para propósitos particulares y cualquier otra obligación por parte de Elica North America, considerando, sin embargo, que si la negación de garantías implícitas es inefectiva bajo la ley aplicable, la duración de cualquier garantía implícita será limitada a dos (2) años desde la fecha original de compra o por el periodo necesario como sea requerido por la ley aplicable.

Esta garantía no cubre cualquier daño especial, incidental y/o consecuente, ni pérdidas de ganancias, sufridas por el comprador original, sus clientes y/o usuarios del producto.

A QUIÉN CONTACTAR

Para obtener Servicio bajo Garantía o para cualquier pregunta relacionada a Servicio:

Favor de llamar a:

- Servicio Elica North America, llame a 1-888 732 8018
- Para el Este de Canadá, llame a Servicios AGI a 1-888 651 2534. Pregunte por el *Departamento de Servicio al Cliente*
- elica@servicepower.com

PARA OBTENER SERVICIO DENTRO DE GARANTÍA

El propietario debe presentar su recibo original de la compra. Guarde por favor una copia de su recibo de compra como prueba, para recibir el servicio dentro del periodo de garantía.

PARTES Y GARANTÍA DE SERVICIO

Por el periodo de dos (2) años desde la fecha original de la compra, Elica proveerá gratuitamente, a través de sus distribuidores, partes no-consumibles o componentes que hayan fallado debido a defectos de fabricación. Durante estos dos (2) años de garantía limitada, Elica también proveerá gratuitamente, a través de sus distribuidores, todo el servicio en casa y mano de obra necesaria para reemplazar cualquier parte defectuosa.

QUÉ NO ESTÁ CUBIERTO

- Daños o fallas del producto causados por accidente o actos de Dios, tales como inundaciones incendios o terremotos.
- Daños o fallas causadas por alteración del producto o por el uso de partes no-originales.
- Daños o fallas del producto causados durante la entrega, manejo o instalación.
- Daños o fallas del producto causados por abuso del usuario.
- Daños o fallas del producto causados por reemplazo de fusibles dañados o reseteo de interruptor de circuito.
- Daño o fallas causados por el uso del producto en un ambiente comercial (no doméstico).
- Viajes de servicio para proporcionar orientación de uso o instalación.
- Bombillas, filtros de carbón o metal y cualquier otra parte consumible.
- Desgaste normal.
- Desgaste terminal debido a abusos del usuario, mantenimiento inadecuado, uso de productos / toallas de limpieza corrosivos o abrasivos y por uso de limpiadores para hornos.

QUIÉN ESTÁ CUBIERTO

Esta garantía se extiende al comprador original de productos adquiridos para uso residencial en Latinoamérica.

Para cualquier defecto estético se tiene una garantía limitada por treinta (30) días de la fecha de compra del usuario final.

Esta garantía no es transferible y aplica solamente al comprador original y no se extiende a propietarios subsecuentes del producto. Esta garantía se expresa en lugar de otras garantías, expresadas o implicadas, incluyendo, pero no limitada a ninguna garantía implicada de comercialización o adaptada para propósitos particulares y cualquier otra obligación por parte de Elica, considerando, sin embargo, que si la negación de garantías implícitas es inefectiva bajo la ley aplicable, la duración de cualquier garantía implícita será limitada a dos (2) años desde la fecha original de compra o por el periodo necesario como sea requerido por la ley aplicable.

Esta garantía no cubre cualquier daño especial, incidental y/o consecuente, ni pérdidas de ganancias, sufridas por el comprador original, sus clientes y/o usuarios del producto.

A QUIÉN CONTACTAR

Para obtener Servicio bajo Garantía o para cualquier pregunta relacionada a Servicio:

PAÍS	COMPAÑÍA	CONTACTO SERVICIO TÉCNICO	MAIL CONTACTO SERVICIO TÉCNICO	TELEFONO SERVICIO TÉCNICO
MÉXICO	ARTEXA MEXICO S.A. DE C.V.	Martín Melgoza	mmelgoza@artexa.com	+ 52.81.8625.5063
ECUADOR	DKOCINA	Reinaldo Hidalgo	dkocina@uio.satnet.net	+ 593.260.4890
GUATEMALA	FERCO	Jackeline Estevez	jestevez@ferco.com.gt	+ 502 421 9000
HONDURAS	FERCO	Jackeline Estevez	jestevez@ferco.com.gt	+ 502 421 9000
SALVADOR	FERCO	Jackeline Estevez	jestevez@ferco.com.gt	+ 502 421 9000
BRASIL	LOFRA SUDAMERICA LTDA	Carlos Fleischfresser	carlos@lofra.com.br	+ 41.3661.7006
PERÚ	LÍNEA HOGAR	Flavio Figari	flavio.figari@appliancecenter.pe	+ 51 1 2418055

