

INDUCTION BUILT-IN RANGE

EW30IS80RS

Featuring Wave-Touch® Electronic Controls



PRODUCT DIMENSIONS

Height	36-5/8"
Width	30"
Depth	28-5/16"

MORE EASY-TO-USE FEATURES

PERFECT TURKEY® BUTTON

Ensures moist, delicious poultry. Imagine stress-free holiday cooking as the Perfect Taste™ Temp Probe helps you deliver a perfectly cooked turkey.

SELF-CLEAN PORCELAIN RACKS

Bake, roast, broil, savor - the cleaning's on us. Our porcelain racks are safe to stay inside of the oven during the self-clean cycle, virtually eliminating the mess and inconvenience of removing and cleaning racks by hand.

PERFECT PAIR OVENS®

A versatile main oven and a second complementary oven combine for total cooking capability. Use both simultaneously to cook two different items at two different temperatures.

FAST & EFFICIENT INDUCTION COOKTOP

Inspired by professional performance & power, the induction cooktop is so fast and efficient it boils water in just 90 seconds!¹

ADAPTS TO DIFFERENT POT & PAN SIZES

The induction cooktop adapts to different pot & pan sizes because it heats the pan instead of the cooktop, so you get perfectly consistent heat throughout the pan for delicious results.

PLATINUM STAR® LIMITED WARRANTY

Our exclusive limited warranty that includes 3-year coverage on parts and one year on labor.²

ADA COMPLIANT

When properly installed, this model is A.D.A.-qualified based on the United States Access Board's A.D.A./A.B.A. Accessibility Guidelines and the Department of Justice's 2010 A.D.A. Standards for Accessible Design.

Available in:



Stainless
(S)

ELEMENTS	WATTS
10" Induction	2,500W/3,800W
8" Induction	2,300W/3,200W
7" Induction	1,800W/2,000W
6" Induction	1,200W/1,400W

¹10" induction burner with Power Boost, 6 qt./10" diameter pot, 1 qt. tepid water.

²Eligibility based on product registration with Electrolux North America within 60 days of purchase. Products must have been purchased on or after July 1, 2013. Coverage includes material parts for 3 years and labor for 1 year.

SIGNATURE FEATURES



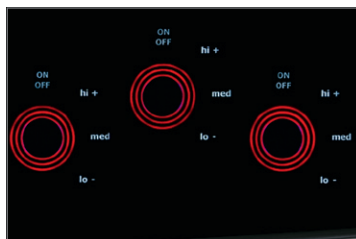
PERFECT TASTE™ DUAL CONVECTION

For consistently delicious taste and texture, our dual-fan convection circulates air more evenly throughout the oven for an even cook. Two variable speeds work in tandem with three heating elements (bake, broil, and roast) to give you delicious results every time.



PERFECT TASTE™ TEMP PROBE

The Perfect Taste™ Temp Probe lets you cook each dish to perfection. It does more than measure temperature — it alerts you when food has reached the desired temperature and automatically adjusts to the Keep Warm setting so you never overcook your food and deliver perfect results every time.



PROFESSIONAL TEMPERATURE CONTROL

Provides the precision you need to quickly take a delicate simmer to a rolling boil for truly delicious results.



MULTI-STAGE COOKING

Create great taste with ease. With Multi-Stage Cooking, an Electrolux oven is a built-in sous chef, helping you conquer delicious by adjusting between seven professionally inspired cooking modes, including Bake, Broil, Convection Bake, Convection Roast, Convection Broil, Keep Warm and Slow Cook.

INDUCTION BUILT-IN RANGE

EW30IS80RS



30" INDUCTION BUILT-IN RANGE

CONTROL PANEL FEATURES

Wave-Touch® Electronic Oven Control	Yes
Perfect-Set® Element Controls	Yes
Keypad Entry of Time & Temperature	Yes
Electronic Clock & Timer	Yes
Temperature Display	Yes
Automatic Oven (Delay, Cook & Off)	Yes

INDUCTION COOKTOP FEATURES

Ceramic Glass Smoothtop	1
10" Induction	2,500W/3,800W
8" Induction	2,300W/3,200W
7" Induction	1,800W/2,000W
6" Induction	1,200W/1,400W
Surface Controls	Yes

OVEN FEATURES

Capacity	4.6 Cu. Ft.
Hidden Bake Element	Yes
Eight-Pass Bake Element – 2,500 Watts	Yes
Six-Pass Broil Element – 3,400 Watts	Yes
Convection Element – 2,500 Watts	Yes
Cobalt Blue Interior	Yes
Self-Clean Options with Door Lock	Yes
Perfect Taste™ Dual Convection	Yes
Cooking Modes – Bake, Broil, Convection Bake, Convection Roast, Convection Broil, Keep Warm, Slow Cook	7
Baking Options – Perfect Turkey®, Defrost, Dehydrate, Bread Proof, My Favorites, Multi-Stage Cooking, Temperature Probe, Rapid Preheat, Delay Bake, Convection Convert	10
Luxury-Design® Lighting with Dual 25W Halogen Bulbs	Yes
Luxury-Glide® Racks	1
Conventional Racks	2
Convection Roasting Rack	Included

ADDITIONAL FEATURES

Extra-Large Glass Window	Yes
Perfect Pair Lower Oven®	Yes
Adjustable Leveling Legs	4
Sabbath Mode (Star-K® Certified)	Yes
A.D.A. Compliant*	Yes

ACCESSORIES

Porcelain Broiler Pan and Insert	Included
Cleaning Sponge	Included
2" Rear Filler Kit – PN# 903113-9010	Optional
Side Panel Kit – PN# A01529901	Optional

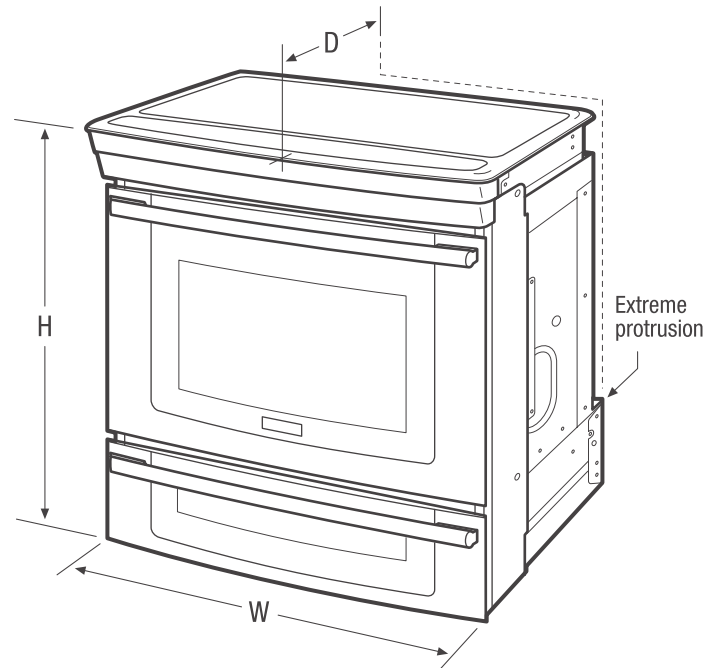
SPECIFICATIONS

Color –	
Stainless Steel	S
Power Supply Connection Location	Right Bottom Rear
Connected Load (kW Rating) @ 240 / 208 Volts	16.0/12.0
Amps @ 240 / 208 Volts	66.7/57.7
Minimum Circuit Required (Amps)	50A
Shipping Weight (Approx.)	258 Lbs.

*When properly installed, this model is A.D.A.-qualified based on the United States Access Board's A.D.A./A.B.A. Accessibility Guidelines and the Department of Justice's 2010 A.D.A. Standards for Accessible Design.

NOTE: Always consult local and national electric codes. Refer to Product Installation Guide for detailed installation instructions on the web at electroluxappliances.com.

Specifications subject to change.



PRODUCT DIMENSIONS

Height (Adjustable)	36-5/8"
Width	30"
Depth (to Center of Arc)	28-5/16"
(with 90° Door Open)	47-9/16"

OVEN CAVITY DIMENSIONS

Height	17-1/2"
Width	24-1/8"
Depth	18-3/4"

Electrolux Major Appliances, N.A.

USA • 10200 David Taylor Drive • Charlotte, NC 28262 • 1-877-4electrolux (1-877-435-3287) • electroluxappliances.com
 CANADA • 5855 Terry Fox Way • Mississauga, ON L5V 3E4 • 1-800-265-8352 • electroluxappliances.ca

EW30IS80R 04/15

© 2015 Electrolux Home Products, Inc.



High standards of quality at Electrolux Home Products, Inc. mean we are constantly working to improve our products. We reserve the right to change specifications or discontinue models without notice.