

Austin

AvantGlide

275 / 285



1

**MODEL
AND SIZE**

2

**BASE
AND DOME**

3

FINISH

4

COVER

example:

(Product displayed above)

275

—

T35

—

YC

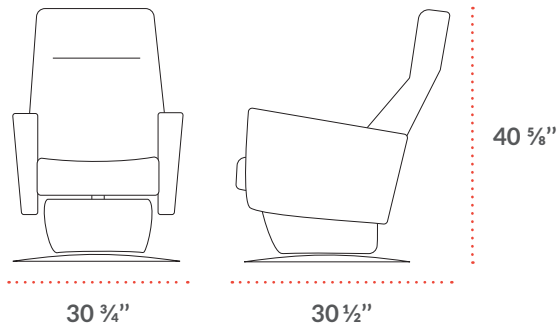
—

6117

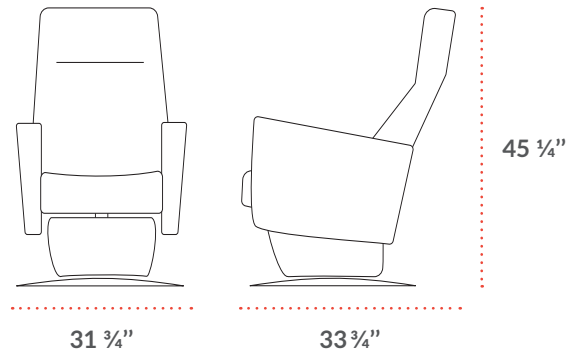
MODEL AND SIZE	BASE AND DOME	FINISH	COVER
SMALL 275	STANDARD with metal dome T30	METAL Dome 55	All fabrics, leathers and leather matches* C.O.M. Yardage requirement: Model 275: 3.5 Model 285: 3.75
	STANDARD with wood dome T30	WOOD Dome All finishes*	
MEDIUM 285	PREMIUM with wood dome T35	WOOD Dome and base All finishes*	

* See the complete color chart for details.

DIMENSIONS (SMALL)



DIMENSIONS (MEDIUM)



ADDITIONAL INFORMATION

Box: 32.5" x 35" x 34.5"

Weight: 90 lb / 40.82 kg

Volume: 22.82 ft³ / 0.68 m³

Not UPSable

ADDITIONAL INFORMATION

Box: 32.5" x 35" x 34.5"

Weight: 94 lb / 42.64 kg

Volume: 22.82 ft³ / 0.68 m³

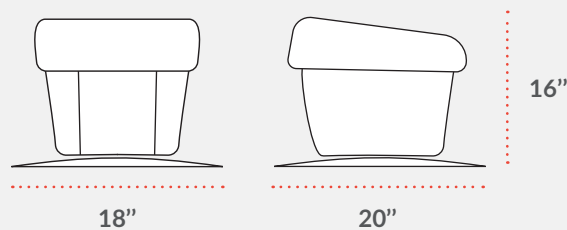
Not UPSable

GLIDING OTTOMAN

* See complete color chart in the general information document

MODEL AND SIZE	BASE AND DOME	FINISH	COVER
275	STANDARD with metal dome 190	55	All fabrics, leathers and leather matches* C.O.M. Yardage requirement: 1
275	STANDARD with wood dome 190	All finishes*	
275	PREMIUM with wood dome 195		

OTTOMAN DIMENSIONS



ADDITIONAL INFORMATION

Box: 20 3/8" x 20 3/8" x 17.5"

Weight: 27 lb / 12.27 kg

Volume: 4.2 ft³ / 0.13 m³

UPSable



P 450 772-2403
1 800 363-9817
F 450 772-5055
1 888 230-2403
info@dutailier.com

dutailier.com