

# REMP3, REMP16



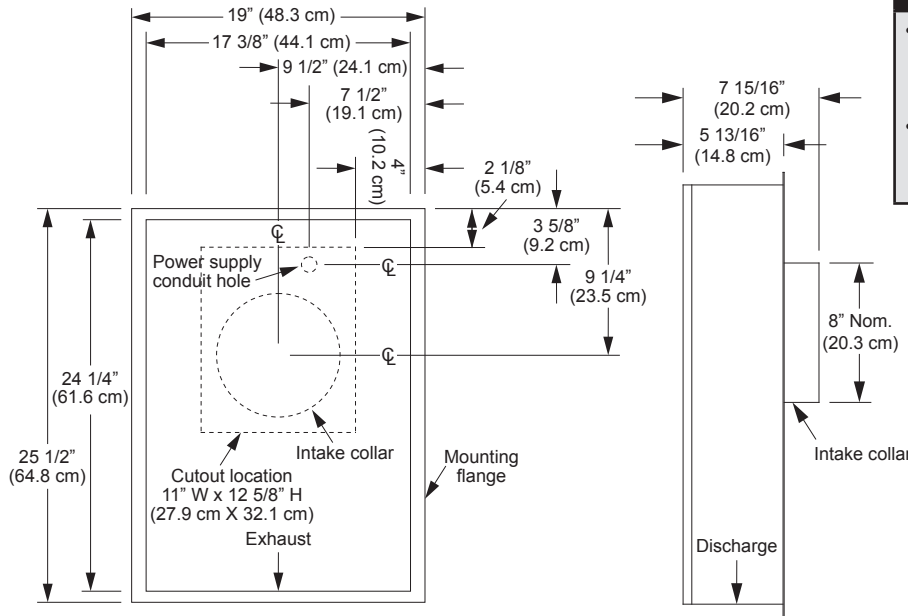
## Renaissance® Remote Blowers

## PLANNING GUIDE

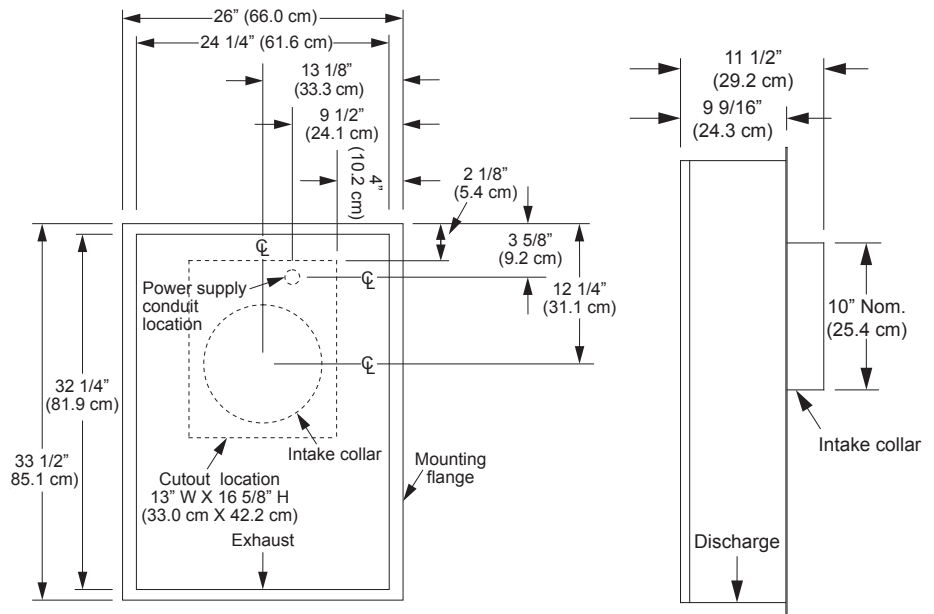
± 1/16" (± 1.6 mm) unless otherwise stated

**⚠ WARNING**

- Observe all governing codes and ordinances during planning and installation. Contact your local building department for further information.
- This appliance must be installed in accordance with the hood or downdraft vent system installation instructions.



**REMP3 OVERALL DIMENSIONS  
(TOP AND SIDE VIEWS)**



**REMP16 OVERALL DIMENSIONS  
(TOP AND SIDE VIEWS)**

Model No.	Electrical Supply Requirements	Maximum Duct Length	Total Connected Load	Blower Rating*	Approximate Shipping Weight	Finish
REMP3	Refer to downdraft vent or hood specifications	Refer to downdraft vent or hood specifications	120 Vac, 3.8 Amp.	600 CFM (nominal) 620.5 CFM (actual)	35 lbs.	Galvanized (may be painted)
REMP16			120 Vac, 2.7 Amp.	1000 CFM (nominal) 994.8 CFM (actual)	55 lbs.	

\* At 0" static pressure

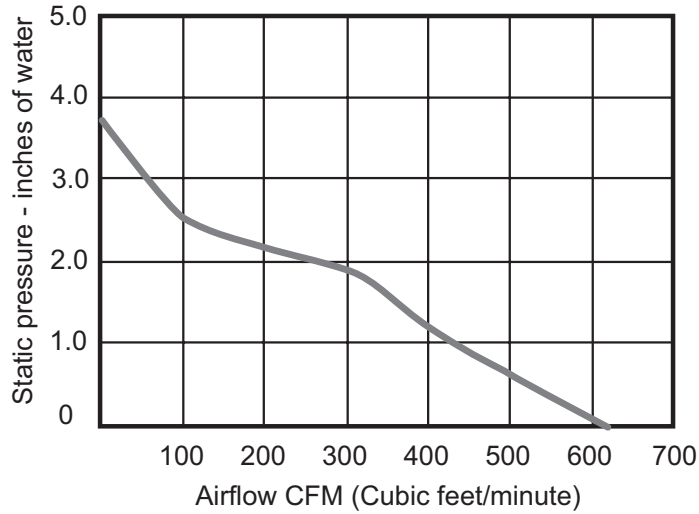
# REMP3, REMP16



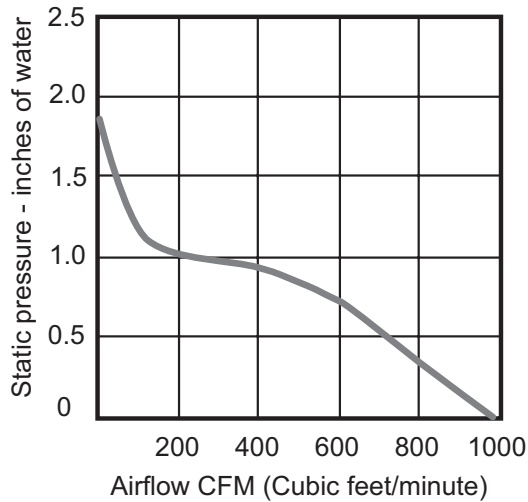
## Renaissance Remote Blowers

## PLANNING GUIDE

### REMP3 Blower Performance



### REMP16 Blower Performance

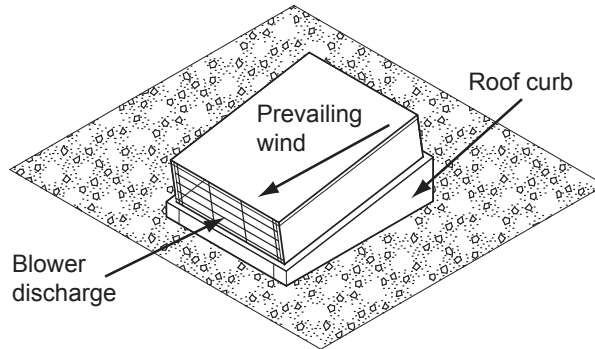
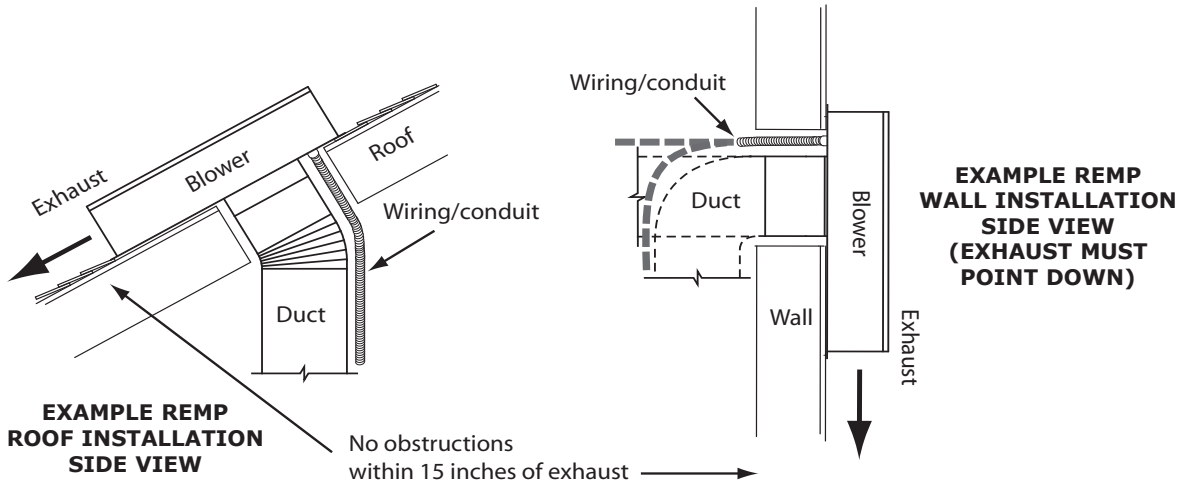


# REMP3, REMP16

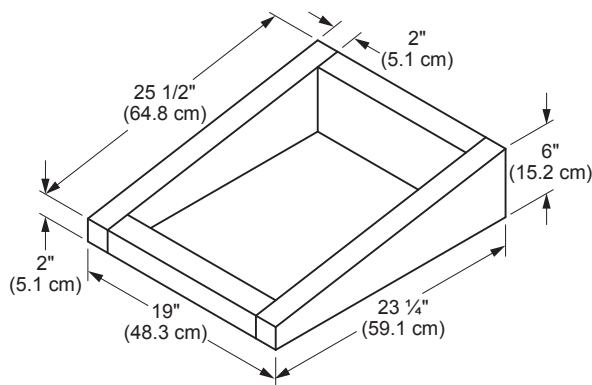


## Renaissance Remote Blowers

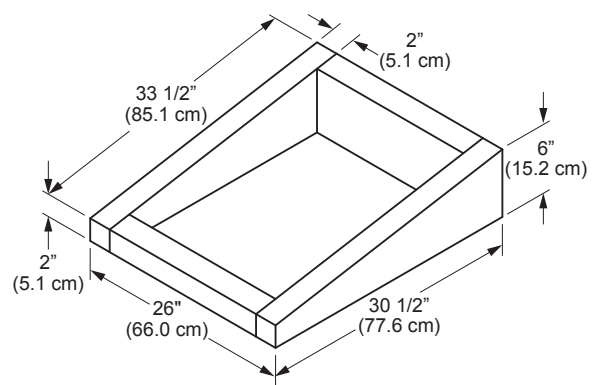
## PLANNING GUIDE



+/- 1/16" (+/- 1.6 mm) unless otherwise stated



**REMP3 ROOF CURB DIMENSIONS**



**REMP16 ROOF CURB DIMENSIONS**



**NOTE:**

1. The REMP chassis may be rotated to clear obstructions. 15" (38.1 cm) min. clearance must be maintained from the air discharge to any obstruction. In cold climates, take into account snow accumulation which can also act as an obstruction.
2. When mounting in a horizontal position, shield the REMP to protect from possible water collection in the chassis. Maintain a minimum down slope of 1/4" (6 mm) per foot for evacuation of water.
3. When the REMP is installed on to a flat (less than a 2:12 pitch) roof, a roof curb is required.
4. The blower discharge must be pointed in the same direction as the prevailing wind.