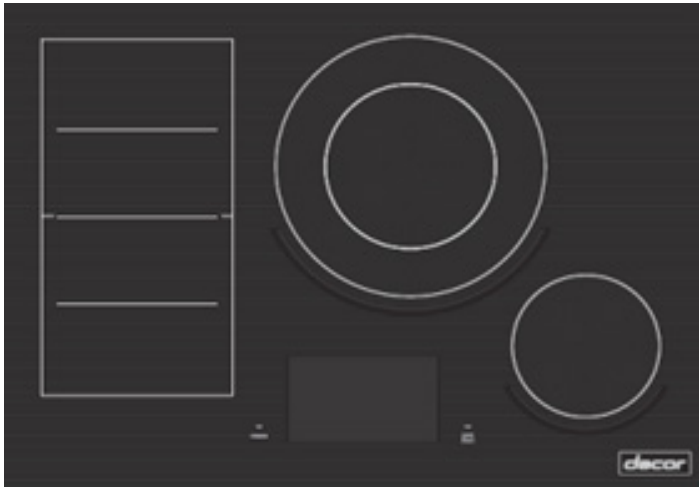


# DTI30M977BB

## 30-INCH INDUCTION COOKTOP

MODERNIST COLLECTION



### FEATURES & BENEFITS

- Flex Zone™ - a large open area offers greater flexibility for cooking multiple dishes at one time. Easily accommodates various cookware sizes.
- Virtual Flame™ - a beautiful and intuitive LED light displays virtual flames to provide an attractive visual cue that the heat is on.
- Up to 6 cooking zones with Flex Zone™.
- LCD Control Panel allows easy access to cooktop functions, including pre-programmed recipes.
- Smart Connectivity - auto connects to hood.
- Child safety lock.
- Residual heat reminder.
- Dacor iQ Kitchen app enables monitoring of the cooktop from outside the kitchen.

### GENERAL PROPERTIES

Controls	7" LCD Control Panel with Guided Cooking
----------	--

### FEATURES

Residual Heat Indicator	2 Stage
Child Lock	Yes
Kitchen Timer	Yes
Guided Cooking	Yes - 15 Ea
Recommended Power Level	Yes
Pause	Yes
Power Level Setting	9 + Power Boost
Quick Stop	Yes
Simmer/Melt	Yes
Power On/Off	Yes

### ADDITIONAL FEATURES

Auto Pan Detection	Yes
Sound On/Off	Yes
Demo Mode	Yes
Bluetooth Connect	Yes
Wi Fi Connect	Yes
Hood Connectivity On/Off	Yes
Virtual Flame On/Off	Yes

### ELEMENT PERFORMANCE

Total Number of Cooktop Zones	6
Flex Zone Left Front (W)	1800W / 2600W (B)
Flex Zone Left Rear (W)	1800W / 2600W (B)
Power Coil Center (W)	3600W / 4800W (B)
Flex Zone Right Rear (W)	1400W / 1800W (B)
Zones with Booster	5

### ELEMENT SIZE

Flex Zone Left	7 19/20"W x 15 6/25"D
Flex Zone Right	7 19/20"W x 15 6/25"D
Center Heating Element	7"/11" Power Coil™ (VF)
Right Rear Heating Element	6" Power Coil™ (VF)

### TECHNICAL DETAILS

Flex Zone Power	3300W / 3600W (B)
Watts (W)	10.8 kW / 9.5 kW
Volts (V)	240 / 208
Circuit Breaker (A)	40
Frequency (Hz)	60
Energy Source	Electric

### DIMENSIONS & WEIGHT

Appliance Dimensions (H x W x D) (in.)	4" x 30" x 21 1/4"
Required Cutout Size (H x W x D) (in.)	3 3/4" x 28 3/8" x 19 1/2"
Minimum Distance from Counter Front (in.)	1 1/2"
Minimum Distance from Rear Wall (in.)	1 1/7"

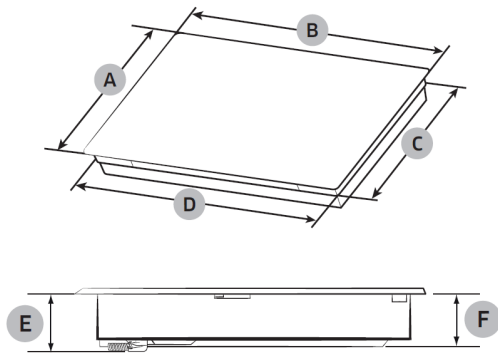
### WARRANTY

Limited, Parts and Labor	1 Year
--------------------------	--------

**DTI30M977BB**  
**30-INCH INDUCTION COOKTOP**  
 MODERNIST COLLECTION

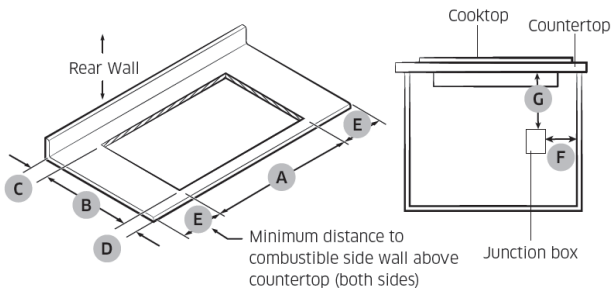


**APPLIANCE DIMENSIONS**



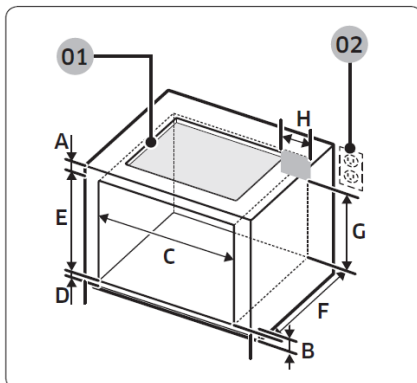
APPLIANCE DIMENSIONS		
A	21 1/4" (540mm)	Frame depth
B	30" (762mm)	Frame width
C	19 1/2" (494.6mm)	Case depth
D	28 3/8" (720mm)	Case width
E	4" (101mm)	Conduit case height
F	3 1/8" (80.5mm)	Case height

**COUNTERTOP CUTOUT DIMENSIONS**



COUNTERTOP CUTOUT DIMENSIONS	
A	28 1/2" - 28 2/3" (724mm - 728mm)
B	19 4/7" - 19 2/3" (497.4mm - 499.4mm)
C	Min. 1 1/7" (28mm). Between cutout and the wall behind the cooktop.
D	Min. 1 1/2" (38mm). From front edge of cutout and front edge of cooktop.
E	Min. 1" (26mm). Distance nearest left and right side combustible surface above cooktop.
F	Junction Box or outlet 10" (254mm) maximum from right-hand side of cabinet
G	Junction Box or outlet 15" (381mm) minimum from bottom of countertop

**WALL OVEN UNDERCOUNTER CUTOUT DIMENSIONS**



UNDERCOUNTER CUTOUT DIMENSIONS	
A	Min. 3 3/4" (9.5cm)
B	4" (10.1cm)
C	Min. 28 1/2" / Max. 28 5/8" (Min. 2.5cm / Max. 3.2cm)
D	Min. 1" / Max. 1 1/4" (Min. 2.5cm / Max. 3.2cm)
E	Min. 27 1/4" / Max. 27 1/3" (Min. 69.2cm / Max. 69.5cm)
F	24" (61cm)
G	Min. 22" (Min. 55.9cm)
H	Max. 9 1/2" (Max. 24.1cm) - Junction Box