

DTG30M954F
30-INCH GAS COOKTOP
 MODERNIST COLLECTION



AVAILABLE MODELS

- DTG30M954FS - 30" Drop-In Gas Cooktop - Stainless Steel - Natural Gas
- DTG30M954FM - 30" Drop-In Gas Cooktop - Graphite Stainless Steel - Natural Gas

FEATURES & BENEFITS

- 4 Dual-Stack Sealed Brass Burners
- High performance burners at 18.5K BTU
- Diamond-like carbon finish on spill tray prevents scratches and is easy to clean.
- Automatic burner reignition
- Illumina™ knobs. Dishwasher safe.
- Continuous grates.
- Auto connect to hood.
- Low profile flush installation.
- Dacor iQ Kitchen app enables monitoring of the cooktop from outside the kitchen.

ACCESSORIES (INCLUDED)

- Grates
- Wok Ring
- Brass Burner Caps
- Black Burner Caps

BURNER PERFORMANCE

Total Number of Cooktop Burners	4 (Brass)
Left Front Burner (BTU)	18,500 (Dual Burner)
Left Rear Burner (BTU)	13,000 (Stack Burner)
Right Front Burner (BTU)	9,500 (Stack Burner)
Right Rear Burner (BTU)	9,500 (Stack Burner)
Sealed Burners	Yes

CONTROL FEATURES

Dishwasher Safe Knobs	Yes
Control Location	Right
LED Knob Backlight + Indicator	Yes
Wi Fi Hood Connectivity	Yes
Automatic Reignition	Yes

INSTALLATION

Gas Type	Natural Gas
LP Conversion Kit	Yes
Installation Type	Low-Profile (Flush)

TECHNICAL DETAILS

Circuit Breaker (A)	15
Volts (V)	120
Frequency (Hz)	60
Energy Source	Gas and Electric

DIMENSIONS & WEIGHT

Appliance Dimensions (H x W x D) (in.)	6" x 30" x 21"
Required Cutout Size (W x D) (in.)	28 1/2" x 19 1/2"

WARRANTY

Limited, Parts and Labor	1 Year
--------------------------	--------

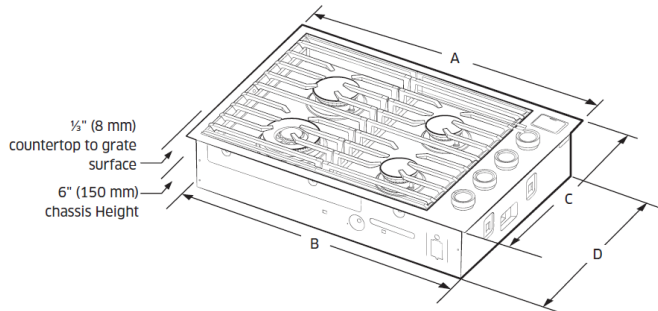
DTG30M954F

30-INCH GAS COOKTOP

MODERNIST, SILVER STAINLESS STEEL/GRAPHITE STAINLESS STEEL

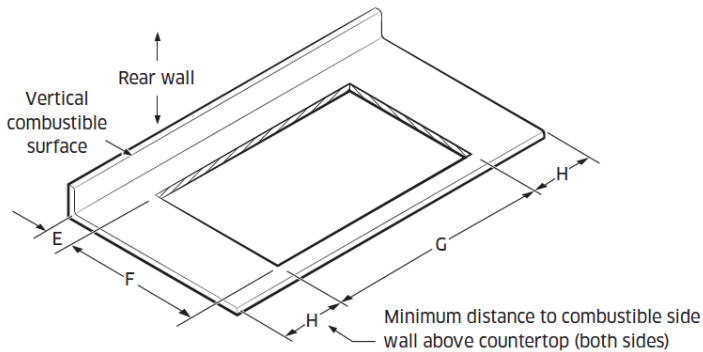


APPLIANCE DIMENSIONS



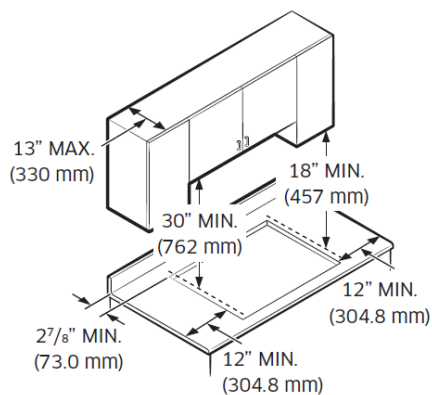
	30"
A (Width)	30" (762mm)
B (Chassis Width)	28 1/2" (723mm)
C (Depth)	21" (533mm)
D (Chassis Depth)	19 1/2" (495mm)

INSTALLATION CUTOUT DIMENSIONS



	30"
E (Min)	2 7/8" (7.2cm)
F (Min)	19 3/4" (50.1cm)
G (Min)	28 11/16" (87.9cm)
H (Min)	12" (30.4cm)

INSTALLATION CUTOUT DIMENSIONS



	30"
NOTE: All horizontal clearances must be maintained for a minimum of 18" (457mm) above the cooking surface.	