

DIT 29430 SERIES

14 Place Settings
Top control screen



Main Features

- 9 programs
- 3 wash temperatures
- Prosmart Inverter Motor
- Effective drying system
- 40dBA wash noise level
- Program follow-up display
- Time delay up to 1-24 hrs.
- Auto tablet detergent function
- 1/2 Load function
- Sanitize function
- SteamGloss function
- Scrub Cycle with AqualIntense function
- IonGuard function
- 3 way euro filtering system
- Inner Illumination
- Front adjustable rear feet
- Interior highloop with air gap
- Power plug

Interior Design

- All stainless steel tank
- Three spray arms (lower, upper and ceiling)

Ultra - Premium Rack Loading System

- Multipurpose Removable Cutlery Drawer
- Easy Fold loaded adjustable upper rack
- Full Flat Lower Basket
- Stainless Upper & Lower rack handle
- 4 adjustable mug shelves
- Sliding cutlery basket
- Stainless Beko embossed upper rack handle

Color

- DDT29430X: Stainless steel
- DIT29430: Fully Built In

FEATURES



14 Place Settings

Beko dishwashers can perfectly clean dishes up to 14 place settings without leaving any piece of cutlery out.

IonGuard

Odour removal function prevents bad smell while dishes are waiting inside. Negative ions are sent through the machine by hidden ionizer. Thus, bad odour molecules are subsided by neutralization.

AqualIntense

Suitable for very heavily soiled dishes, pots and pans stayed dirty for a time. Cleans at high temperature with higher pressures with activating AqualIntense intensive zone washing option.



Prosmart Inverter Motor

Variable speed circulation motor allows to use optimum necessary amount of water and energy. Due to magnetic design the motor has no persistent low frequency sound, and creates less vibration.



SteamGloss

Provides extra 10-18 minutes of intense heating to minimize water stains. This feature provides up to 70% more glossiness on glasses.

Double Motion Float System

All Beko dishwashers have a double motion float system (DMFS) that provides maximum security against water damage and a bottom tray to prevent flooding.



DIT 29430 SERIES

14 Place Settings Top control screen

CONTROLS

Control Type	Electronic
Position	Top

MAIN FEATURES

Loading Capacity (place settings)	14
Tub material	Stainless Steel
Inner door material	Stainless Steel
Interior illumination	✓
Water Softener	-
DMFS overflow protection	✓
5 level wash with 3rd spray arm	✓
Delay timer up to 1-24 hrs	✓
3 way euro filter	✓
Drying	Effective Drying System
Prosmart Inverter Motor	✓
Turbidity sensor	✓
Silence level, dBA	40 dBA
InnerClean	✓
Auto Tablet function	✓
1/2 Load function	✓
Sanitize function	✓
SuperRinse function	-
SteamGloss function	✓
Fast function	-
Aqualintense function	✓
IonGuard	✓
Interior high loop with airgap	✓
Power Plug	✓

PROGRAMS

Number of programs	9
Scrub with Aqualintense	✓
Heavy Plus (167°F rinse temp)	-
Heavy (158°F rinse temp)	✓
Auto program (131°F - 149°F rinse temp)	✓
AquaFlex	✓
Normal (142°F-145°F rinse temp)	✓
Clean&Shine	-
Delicate (149°F rinse temp)	✓
Glass Care	✓
Express (131°F rinse temp)	✓
Rinse & Hold	✓

DISPLAY

Program sequence	✓ / Screen
Rinse aid indicator	Electronic
Rinse aid indicator display	✓
Salt indicator display	-
Light Indicator on Floor	✓

RACK SYSTEM

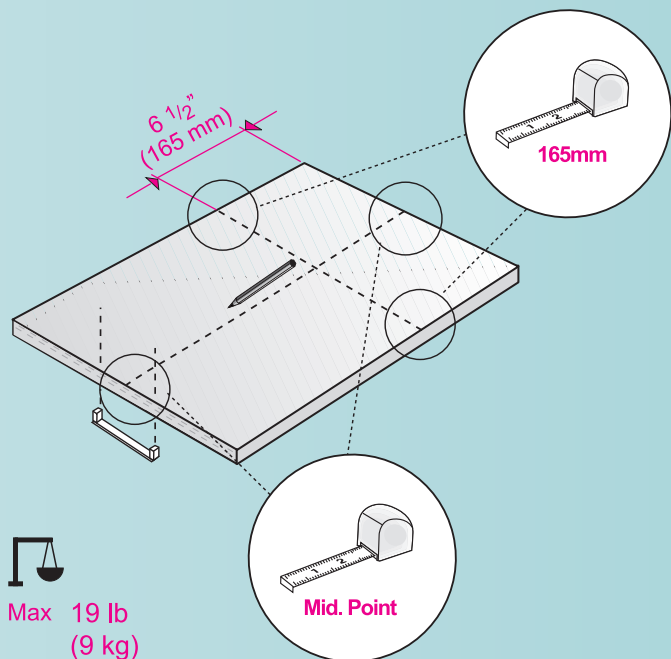
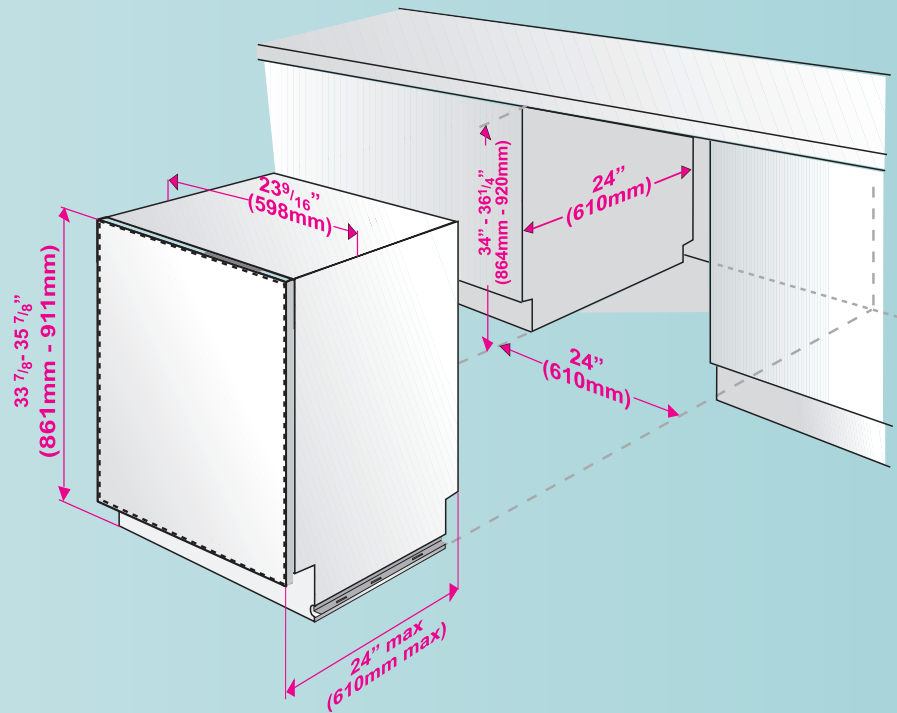
Easy fold lower rack folding tines	✓
Lower rack embossed stainless handle	✓
Cutlery basket	Sliding
Upper rack (inset shelves)	4
Easy fold upper rack folding tines	✓
Acrobat System, adjustable upper rack	Loaded
Multipurpose removable 3rd rack	✓
Lower basket wine glass holder	✓
Nylon coated racks	✓

DIMENSIONS

Packed (HxWxD)	in	35x25 3/16x26
	cm	88,9x64.4x65.1
Packed Weight	(lb/kg)	101/46
Unpacked (HxWxD)	in	33 7/8x23 9/16x22 2/5
	cm	86,1x59.8x55
Unpacked Weight	(lb/kg)	96/44

ENVIRONMENTAL STANDARDS

Energy Star(R) qualified	✓
Energy consumption, kWh/year	226
Water consumption, gal/cycle (Auto cycle)	2,91-6,07 (2,4 - 4,7)
RoHS* compliant	✓



* Lead-free

