



Features:

- Adjustable fuel tray
- 875 sq. in. cooking area
- For use with charcoal or wood chips
- Adjustable dampers for controlling air flow
- Complete 304 stainless steel construction
- Integrated wind guard
- LED pin lights on front control panel

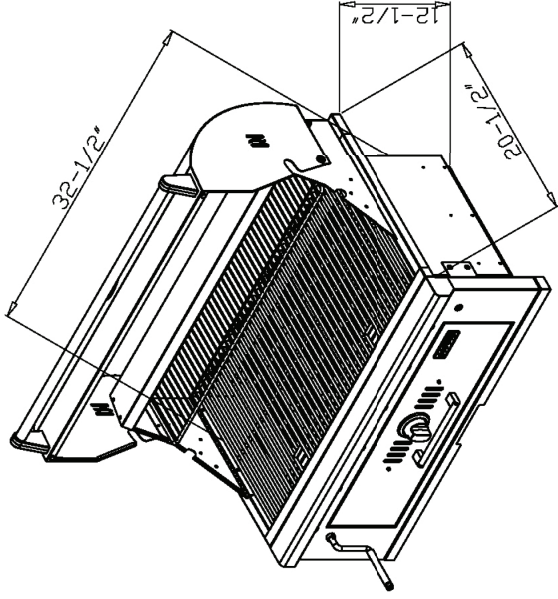
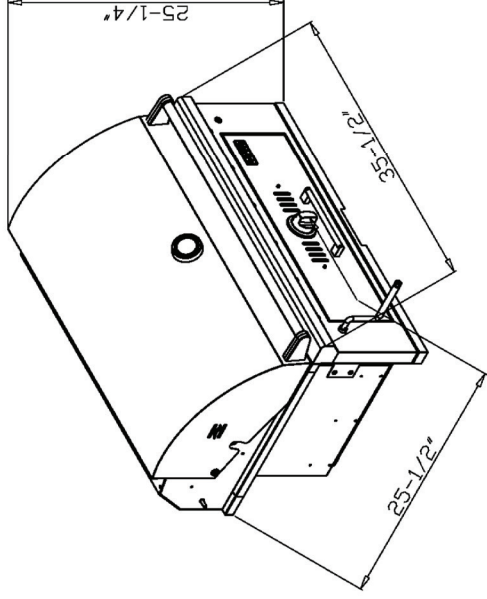
Dimensions:

- Cutout: (H) 12 1/2" X (W) 32 1/2" X (D) 20 1/2"
- Overall: (H) 25 1/4" X (W) 35 1/2" X (D) 25 1/2"

Accessories:

- Laser-Cut Signature Grates (CSIGRATE12)
- 14" stainless steel griddle (C1GRDL)
- Stainless steel cart available
- Custom fit, weather resistant cover

C1CH36 SPECS



COYOTE
Outdoor Living

www.coyoteoutdoor.com