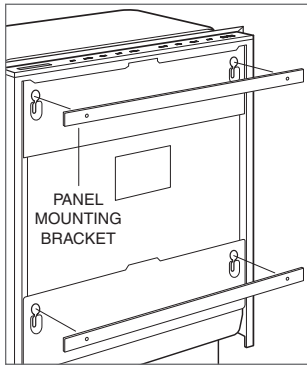


CONTENTS

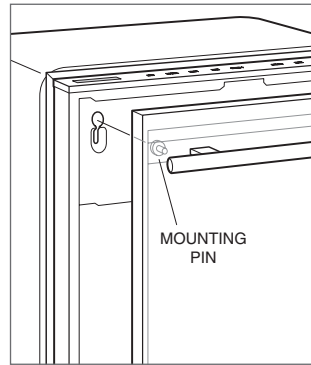
1	Panel, front
1	Kickplate, stainless steel
2	Screw, #8-18 x 1/2"

INSTALLATION

- 1 Remove the custom door panel template from the dishwasher door and discard the template.
- 2 Remove the custom door panel mounting brackets by pushing in and up, then discard the brackets. Refer to the illustration below.
- 3 Align the mounting pins on the door panel with the dishwasher door slots, then push in and shift the panel down to secure. Refer to the illustration below.



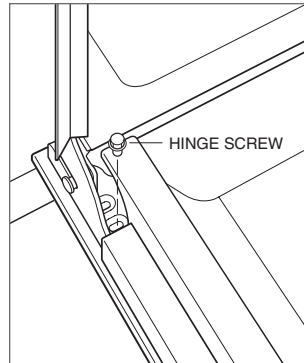
Panel mounting brackets



Mounting pin

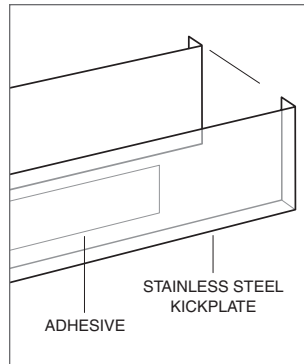
- 4 Apply pressure to the bottom of the door panel, then rotate the door to the open position.

- 5 Verify the panel is secure against the dishwasher door, then insert a screw into each hinge to secure the bottom of the panel. Refer to the illustration below.

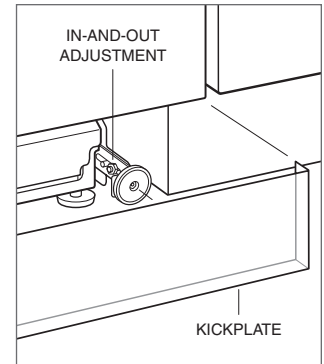


Hinge screw

- 6 Remove the paper backing from the adhesive strip on the back of the stainless steel kickplate, then press the two kickplates together to secure. Refer to the illustration below.
- 7 Finger-tighten the kickplate mounting bracket nuts. Refer to the illustration below.
- 8 Install the kickplate assembly, then make any final kickplate depth adjustments.
- 9 Carefully remove kickplate to wrench-tighten bracket nuts, then reinstall the kickplate assembly.



Stainless steel kickplate



Kickplate adjustment

