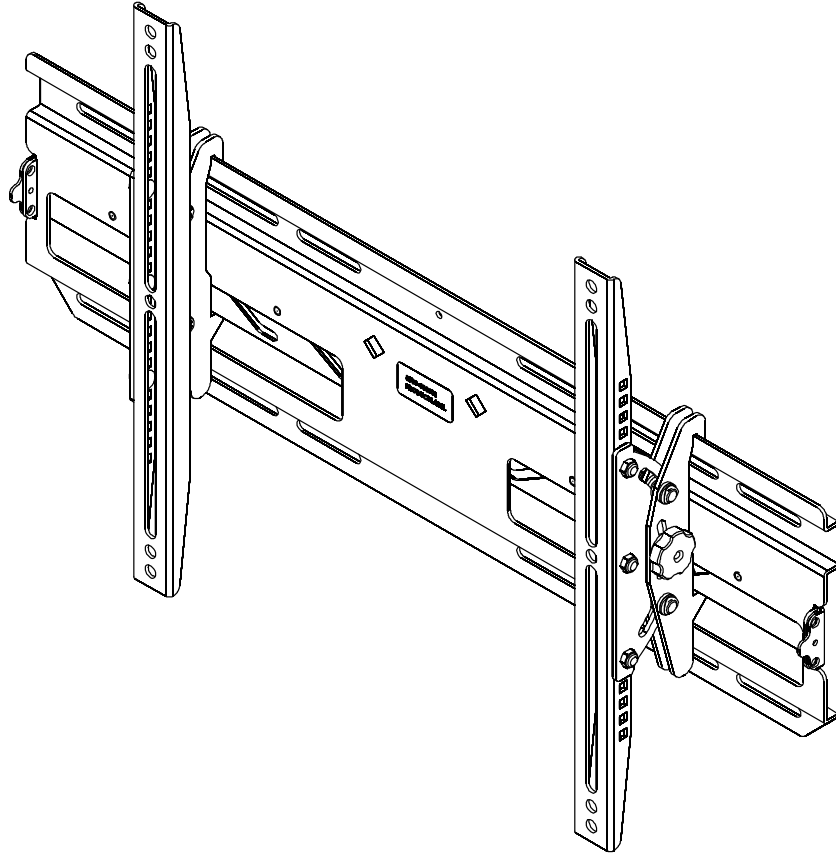

INSTALLATION INSTRUCTIONS



Outdoor Universal Tilting Wall Mount

DISCLAIMER

Milestone AV Technologies, and its affiliated corporations and subsidiaries (collectively, "Milestone"), intend to make this manual accurate and complete. However, Milestone makes no claim that the information contained herein covers all details, conditions or variations, nor does it provide for every possible contingency in connection with the installation or use of this product. The information contained in this document is subject to change without notice or obligation of any kind. Milestone makes no representation of warranty, expressed or implied, regarding the information contained herein. Milestone assumes no responsibility for accuracy, completeness or sufficiency of the information contained in this document.

Chief® is a registered trademark of Milestone AV Technologies. All rights reserved.

DEFINITIONS

MOUNTING SYSTEM: A MOUNTING SYSTEM is the primary Chief product to which an accessory and/or component is attached.

ACCESSORY: AN ACCESSORY is the secondary Chief product which is attached to a primary Chief product, and may have a component attached or setting on it.

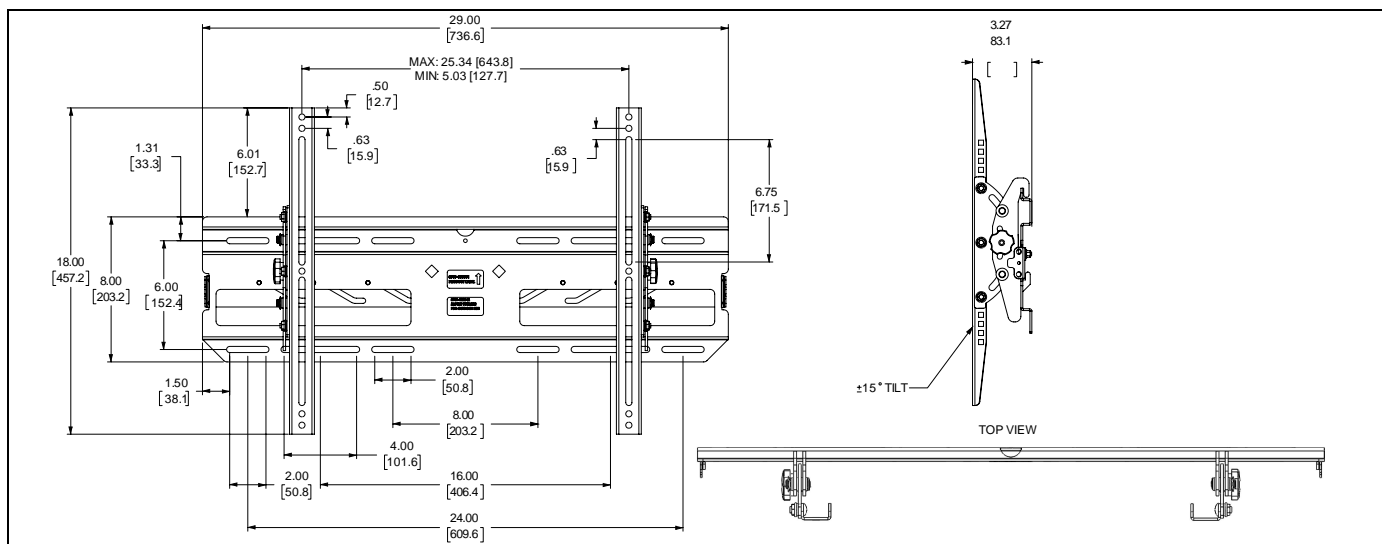
COMPONENT: A COMPONENT is an audiovisual item designed to be attached or resting on an accessory or mounting system such as a video camera, CPU, screen, display, projector, etc.

WARNING: A WARNING alerts you to the possibility of serious injury or death if you do not follow the instructions.

CAUTION: A CAUTION alerts you to the possibility of damage or destruction of equipment if you do not follow the corresponding instructions.

IMPORTANT SAFETY INSTRUCTIONS

DIMENSIONS



WARNING: Failure to read, thoroughly understand, and follow all instructions can result in serious personal injury, damage to equipment, or voiding of factory warranty! It is the installer's responsibility to make sure all mounting systems/ accessories are properly assembled and installed using the instructions provided.

WARNING: Failure to provide adequate structural strength for this mounting system can result in serious personal injury or damage to equipment! It is the installer's responsibility to make sure the structure to which this mounting system is attached can support five times the combined weight of all equipment. Reinforce the structure as required before installing the mounting system.

WARNING: Exceeding the weight capacity can result in serious personal injury or damage to equipment! It is the installer's responsibility to make sure the combined weight of all components does not exceed 175 lbs (80 kg).

WARNING: Use this mounting system only for its intended use as described in these instructions. Do not use attachments not recommended by the manufacturer.

WARNING: Never operate this mounting system if it is damaged. Return the mounting system to a service center for examination and repair.

IMPORTANT ! : The ODMLT mounts are designed to be mounted to a 2" x 4" wood studs (16" or 24" on center) wall with a maximum covering of 5/8" thick drywall, plywood, OSB, fiberboard, buffalo board or other similar sheathing materials.

IMPORTANT ! : The ODMLT mounts may be installed to a bare 8" concrete wall if 5/16 x 3" Buildex® Tapcon® anchors with Blue Climaseal® coating (not included) are used in place of lag bolts (D) provided.

--SAVE THESE INSTRUCTIONS--

LEGEND

	Tighten Fastener
	Apretar elemento de fijación
	Befestigungsteil festziehen
	Apertar fixador
	Serrare il fissaggio
	Bevestiging vastdraaien
Serrez les fixations	

	Pencil Mark
	Marcar con lápiz
	Stiftmarkierung
	Marcar com lápis
	Segno a matita
	Potloodmerkten
Marquage au crayon	

	Loosen Fastener
	Aflojar elemento de fijación
	Befestigungsteil lösen
	Desapertar fixador
	Allentare il fissaggio
	Bevestiging losdraaien
Desserrez les fixations	

	Drill Hole
	Perforar
	Bohrloch
	Fazer furo
	Praticare un foro
	Gat boren
Percez un trou	

	Phillips Screwdriver
	Destornillador Phillips
	Kreuzschlitzschraubendreher
	Chave de fendas Phillips
	Cacciavite a stella
	Kruiskopschroevendraaier
Tournevis à pointe cruciforme	

	Adjust
	Ajustar
	Einstellen
	Ajustar
	Regolare
	Afstellen
Ajuster	

	Open-Ended Wrench
	Llave de boca
	Gabelschlüssel
	Chave de bocas
	Chiave a punte aperte
	Steeksleutel
Clé à fourche	

	Remove
	Quitar
	Entfernen
	Remover
	Rimuovere
	Verwijderen
Retirez	

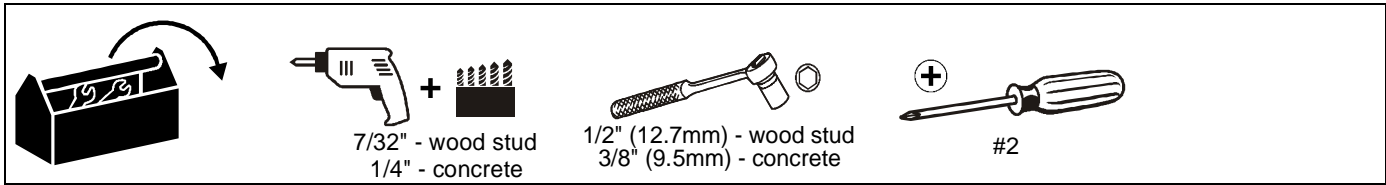
	By Hand
	A mano
	Von Hand
	Com a mão
	A mano
	Met de hand
À la main	

	Optional
	Opcional
	Optional
	Opcional
	Opzionale
	Optie
En option	

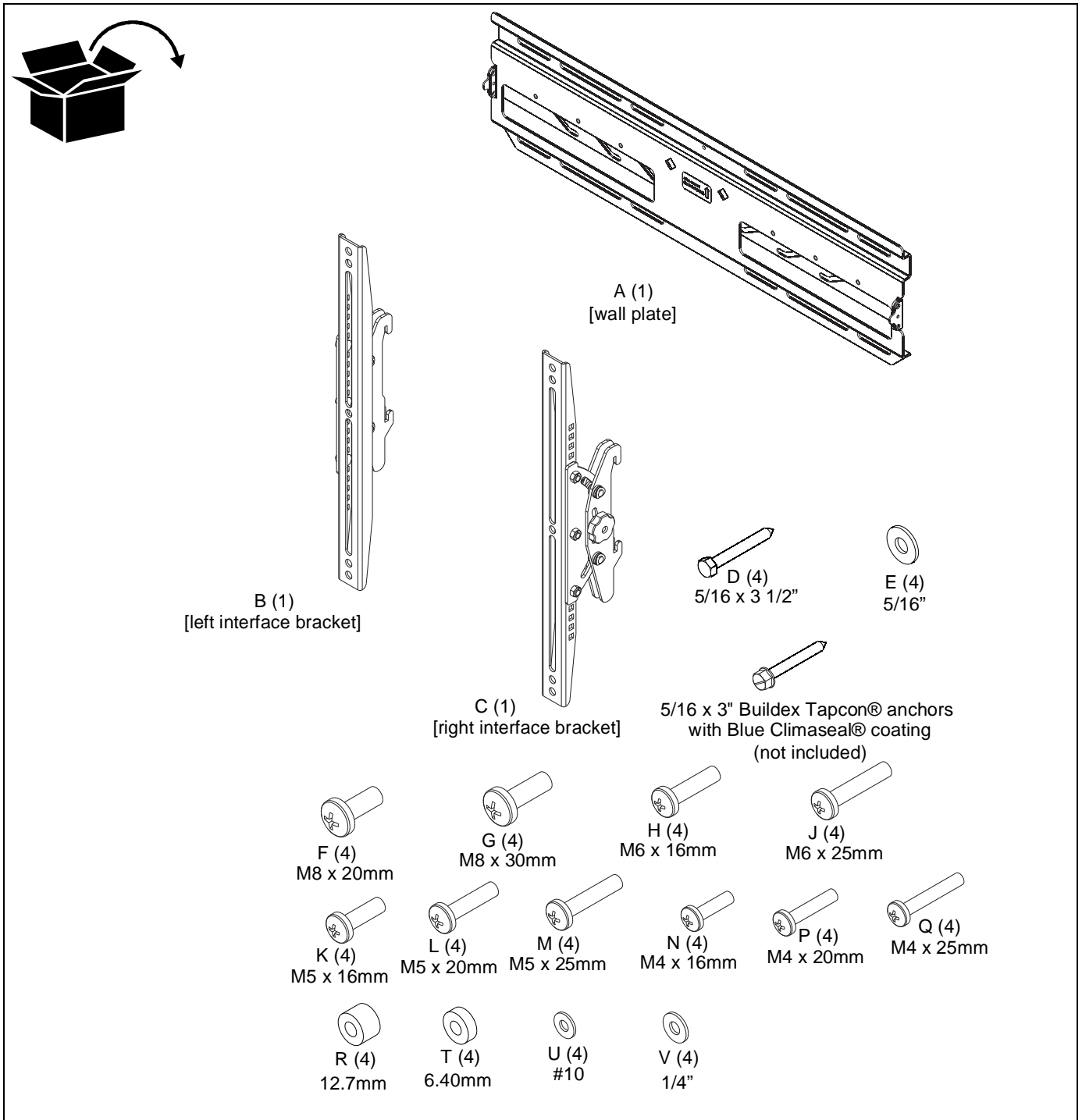
	Hex-Head Wrench
	Llave de cabeza hexagonal
	Sechskantschlüssel
	Chave de cabeça sextavada
	Chiave esagonale
	Zeskantsleutel
Clé à tête hexagonale	

	Security Wrench
	Llave de seguridad
	Sicherheitsschlüssel
	Chave de segurança
	Chiave di sicurezza
	Veiligheidssleutel
Clé de sécurité	

TOOLS REQUIRED FOR INSTALLATION



PARTS



ASSEMBLY and INSTALLATION

INSPECT MOUNT BEFORE ASSEMBLY

1. Carefully inspect the mount components for shipping damage.
2. If any damage is apparent, call your carrier claims agent and do not continue with the installation until the carrier has reviewed the damage.

NOTE: Read all assembly instructions before starting the installation process.

Wall Plate Installation

IMPORTANT ! : The ODMLT mounts are designed to be mounted to a 2" x 4" wood studs (16" or 24" on center) wall with a maximum covering of 5/8" thick drywall, plywood, OSB, fiberboard, buffalo board or other similar sheathing materials.

IMPORTANT ! : The ODMLT mounts may be installed to a bare 8" concrete wall if 5/16 x 3" Buildex® Tapcon® anchors with Blue Climaseal® coating (not included) are used in place of lag bolts (D) provided.

Wood Stud Installation



WARNING: It is the responsibility of the installer to verify that the structure to which the mount is anchored will safely support five times the combined load of all attached components and equipment.

1. Determine a suitable mounting location and lift the wall plate (A) into mounting position on wall.
2. Using a small nail or screw (not provided) in the center hole, lightly support the wall plate at the mounting location. (See Figure 1)
3. Level the wall plate (A) and drill 7/32" pilot holes for anchoring the wall plate. Holes must be drilled at the center of wood studs. (See Figure 1) or (See Figure 2)
4. Using four 5/16 x 3 1/2" lag bolts (W) and four 5/16" washers (X), install the wall plate (A) on the wall. (See Figure 1) or (See Figure 2)

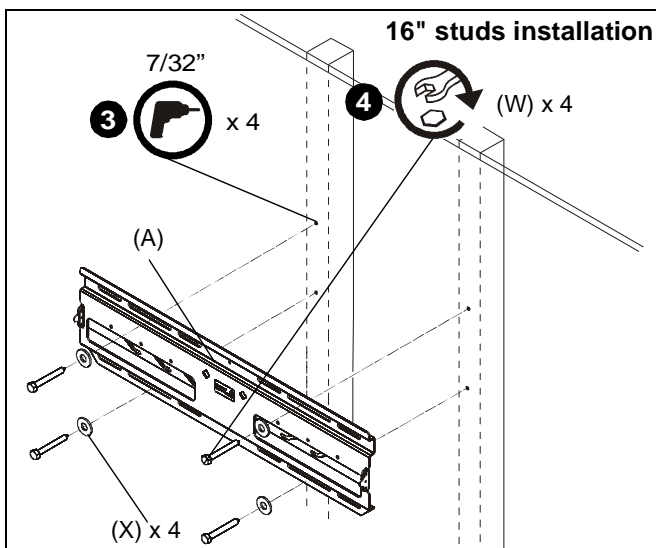


Figure 1

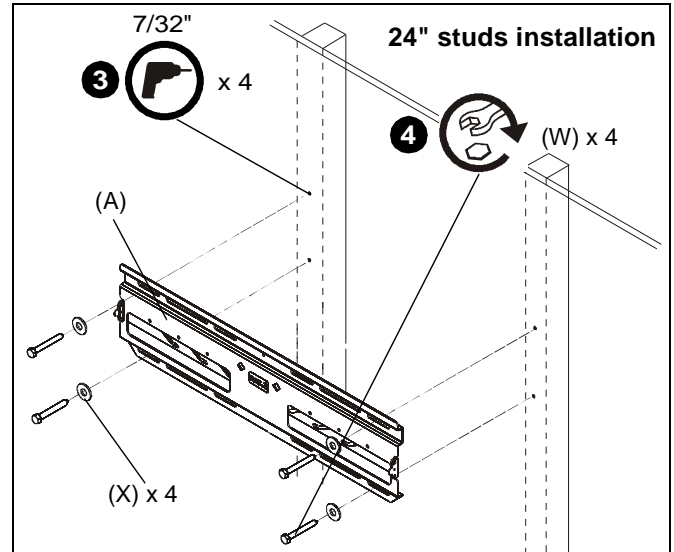


Figure 2

5. Slide the latches out on the wall mount in preparation for installing display. (See Figure 3)

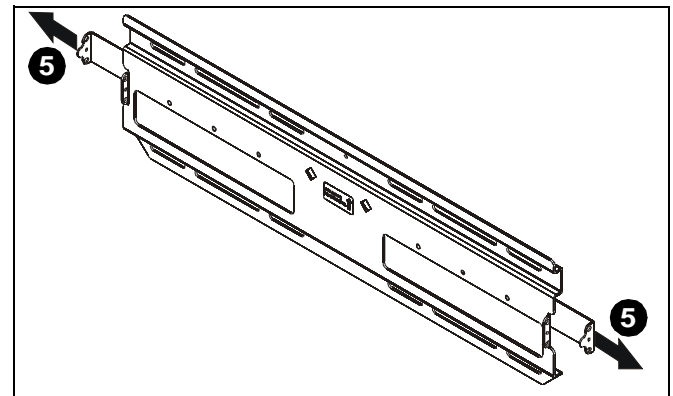


Figure 3

Concrete Installation

WARNING: It is the responsibility of the installer to verify that the structure to which the mount is anchored will safely support five times the combined load of all attached components and equipment.

1. Determine a suitable mounting location and lift the wall plate (A) into mounting position on wall.
2. Using a small nail or screw (not provided) in the center hole, lightly support the wall plate at the mounting location. (See Figure 4)
3. Level the wall plate (A) and drill 1/4" pilot holes for anchoring the wall plate. Holes must be drilled between 16" and 24" apart. (See Figure 4)
4. Using four Buildex® Tapcon® anchors and four 5/16" washers (X), install the wall plate (A) on the wall. (See Figure 4)

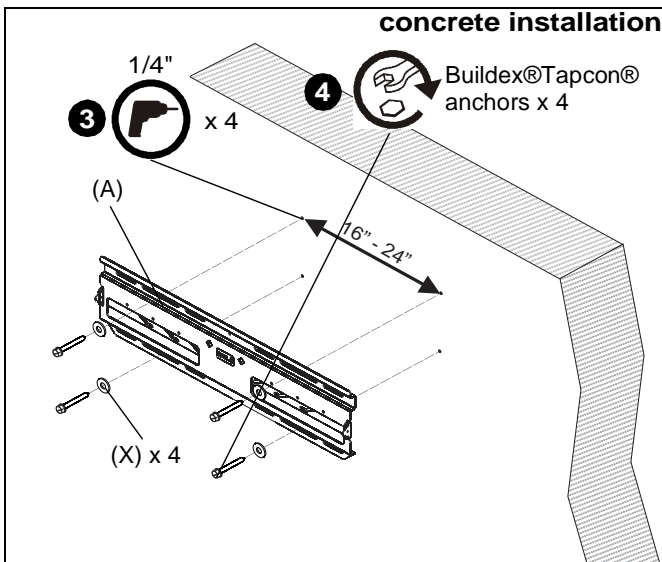


Figure 4

5. Slide the latches out on the wall mount in preparation for installing display. (See Figure 5)

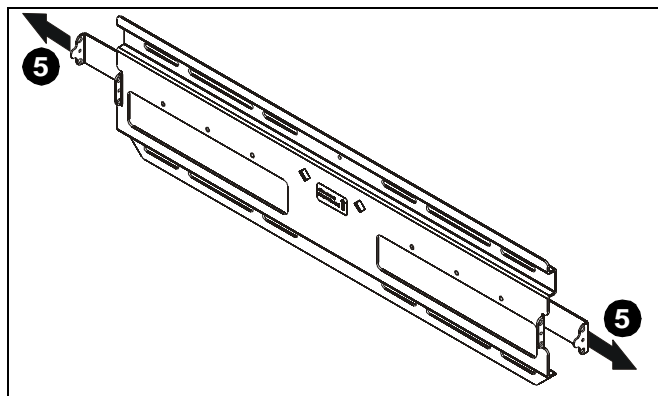


Figure 5

Interface Bracket Installation

1. Place display face down on a soft, non-abrasive surface.
2. Place left and right interface brackets (B and C) on the back of the display, with the tension knob on each bracket facing toward the outside of the television. (See Figure 6)

WARNING: IMPROPER INSTALLATION CAN LEAD TO DISPLAY FALLING CAUSING SERIOUS PERSONAL INJURY OR DAMAGE TO EQUIPMENT! Using screws of improper size may damage your display. Properly sized screws will easily and completely thread into display mounting holes. If spacers are required, be sure to use longer screws of the same diameter.

NOTE: Spacers (R and T) are used to offset the bracket if the mounting holes are recessed or to get around the protrusions.

3. Secure the left and right interface bracket assemblies (B and C) to the display. Select the mounting hardware that fits your application. (See Figure 6)
 - Use spacers (R or T), if necessary.
 - Use M6 screws (H or J) or M8 screws (F or G) and 1/4" washers (V).
 - Or, use M4 screws (N, P or Q) or M5 screws (K, L or M), 1/4" washers (V) and #10 washers (U).

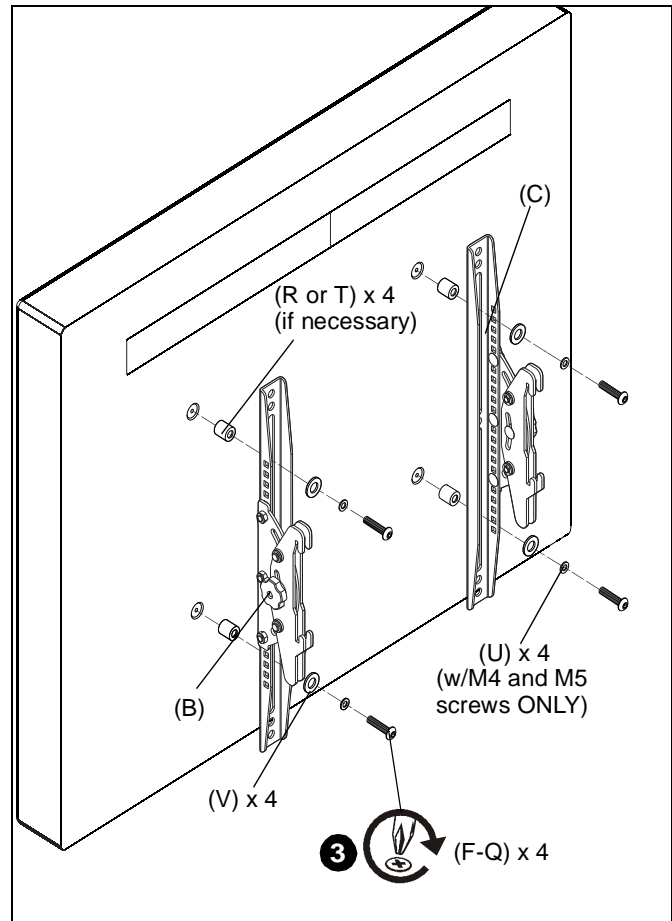


Figure 6

Display Installation



WARNING: Exceeding the weight capacity can result in serious personal injury or damage to equipment! It is the installer's responsibility to make sure the combined weight of all components located between the ODMLT up to (and including) the display does not exceed 175 lbs (80 kg).

1. Place the display on the wall plate (A) by hooking the hooks of the brackets (B and C) in the top of the wall plate. (See Figure 7)
2. Secure the display by sliding the latches, one on each side, inward. As the latches are slid in, it will lower and catch the bottom hook and secure the television in place. (See Figure 7)
3. If desired, install self tapping screws (not provided) and/or padlocks (not provided) for additional security. (See Figure 7)

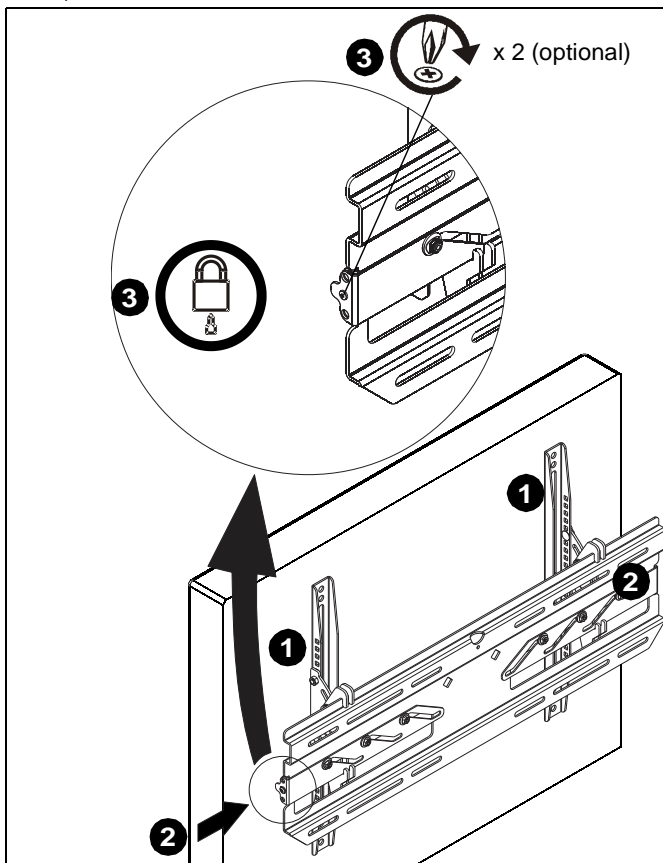


Figure 7

Tilt Adjustment

1. Adjust tilt tension adjustment knobs to desired tension. (See Figure 8)
2. Adjust tilt of display by pulling the top of display away from the wall until desired tilt position is reached. (See Figure 8)
3. Tighten tilt tension adjustment knobs to secure tilt position. (See Figure 8)

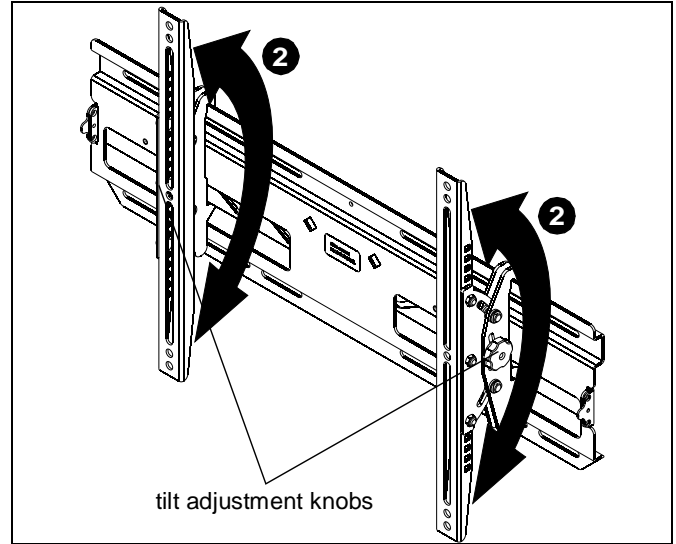


Figure 8

Display Removal

To remove display:



CAUTION: Disconnect power and audio/video cables before removing the display from its wall mount.



WARNING: The display is heavy and extremely fragile. Exercise caution when removing the display from the mount to avoid equipment damage or personal injury.

1. If applicable, remove the self tapping screws (not provided) and/or padlocks from both sides of the wall plate. This hardware provides security. (See Figure 9)
2. Slide the security latches out on both sides to disengage the display from the wall plate. (See Figure 9)
3. With an assistant, lift the display up and off the wall plate to remove the display from the wall. (See Figure 9)

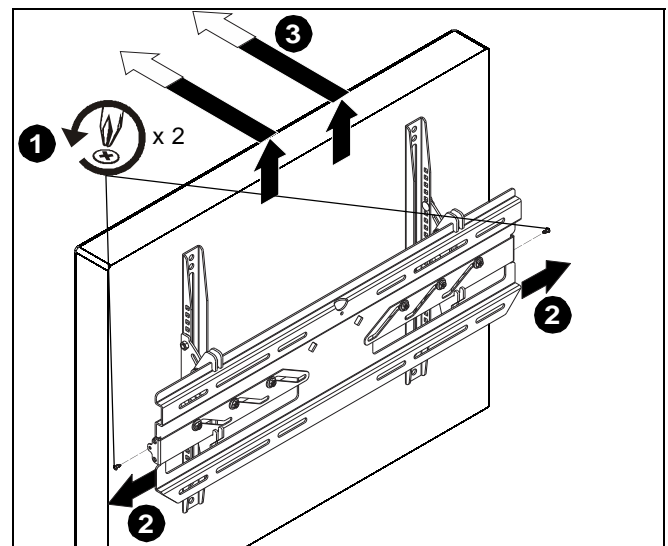


Figure 9



Our Mounts. **Your Vision.**

Chief, a products division of
Milestone AV Technologies

8800-002842 Rev02
©2017 Milestone AV Technologies
www.milestone.com
09/17

USA/International	A 6436 City West Parkway, Eden Prairie, MN 55344
	P 800.582.6480 / 952.225.6000
	F 877.894.6918 / 952.894.6918
Europe	A Franklinstraat 14, 6003 DK Weert, Netherlands
	P +31 (0) 495 580 852
	F +31 (0) 495 580 845
Asia Pacific	A Office No. 918 on 9/F, Shatin Galleria 18-24 Shan Mei Street Fotan, Shatin, Hong Kong
	P 852 2145 4099
	F 852 2145 4477

