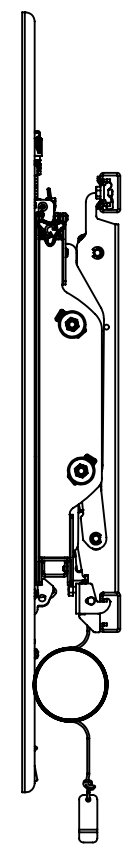
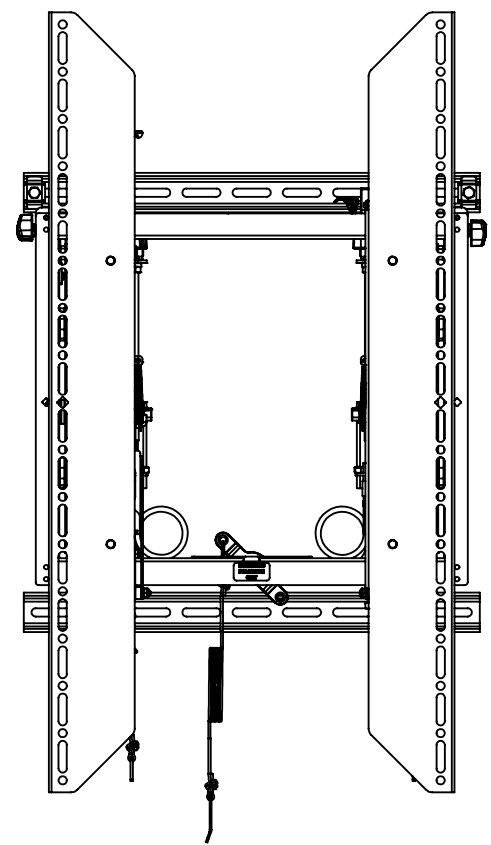
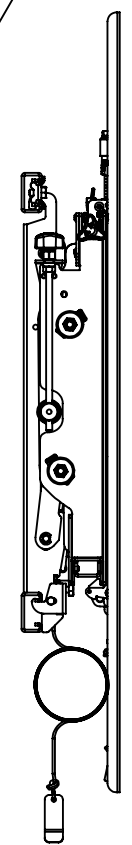
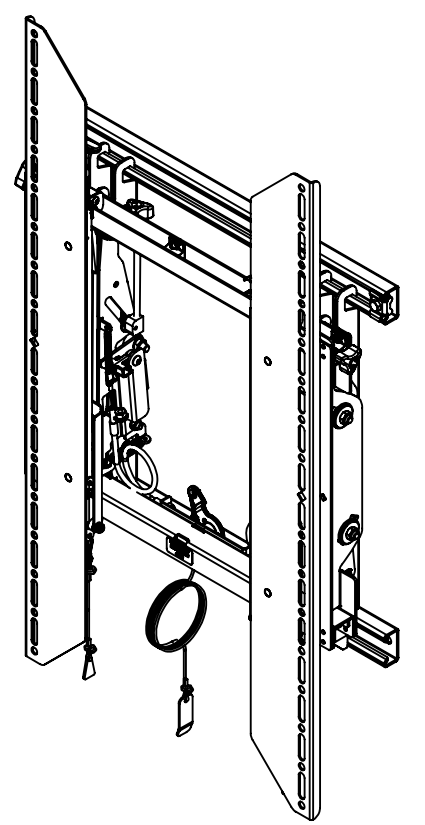
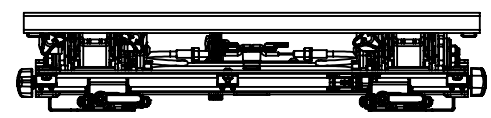
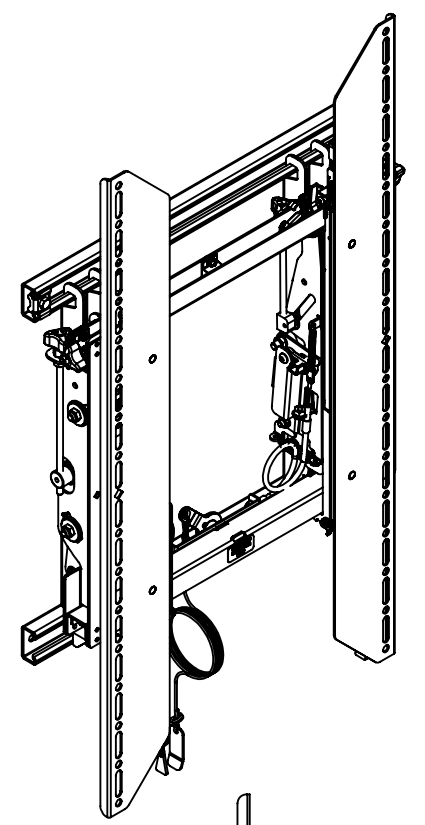



WALL RAILS NOT INCLUDED IN LVXSUP VERSION. WALL RAILS SHOWN FOR DEPTH AND POSITION MEASUREMENTS. 13/16" WALL STRUT SHOWN. IF USING DEEPER CHANNEL ADD IN THE ADDITIONAL DEPTH.

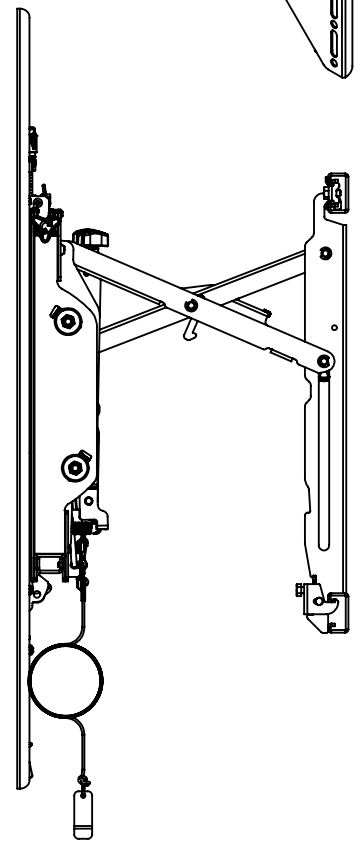
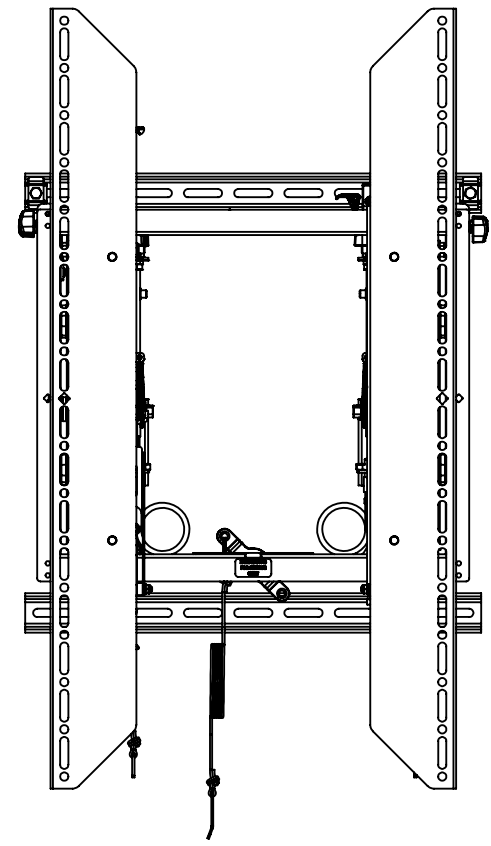
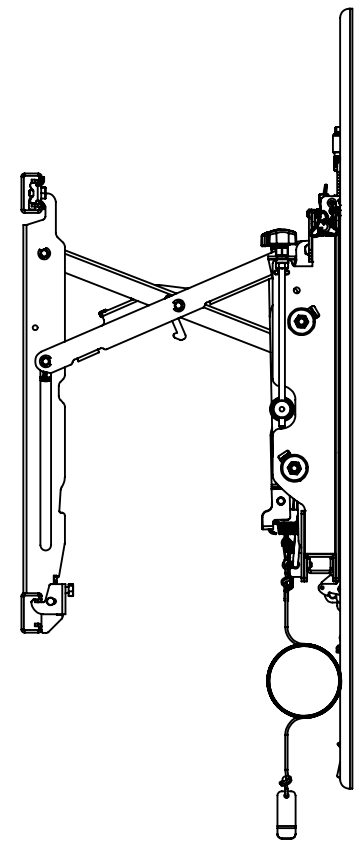
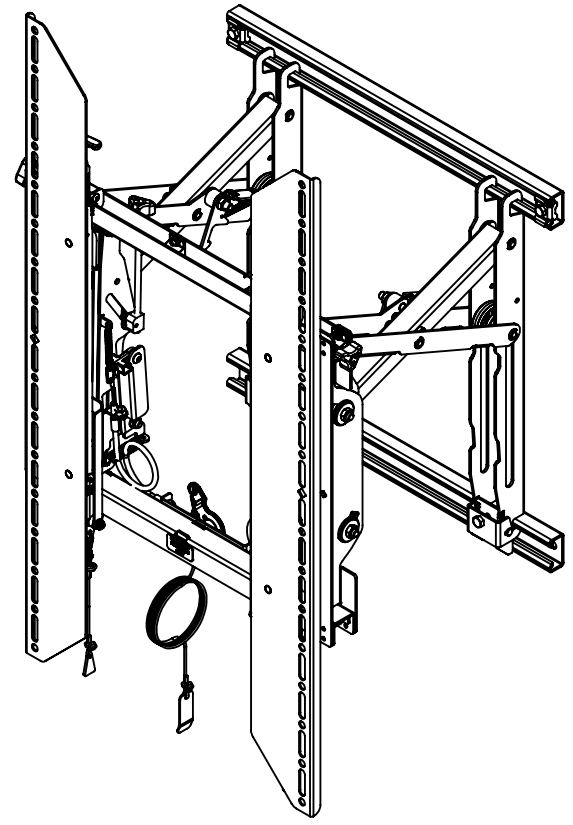
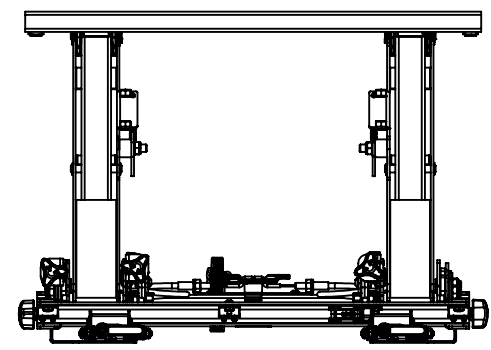
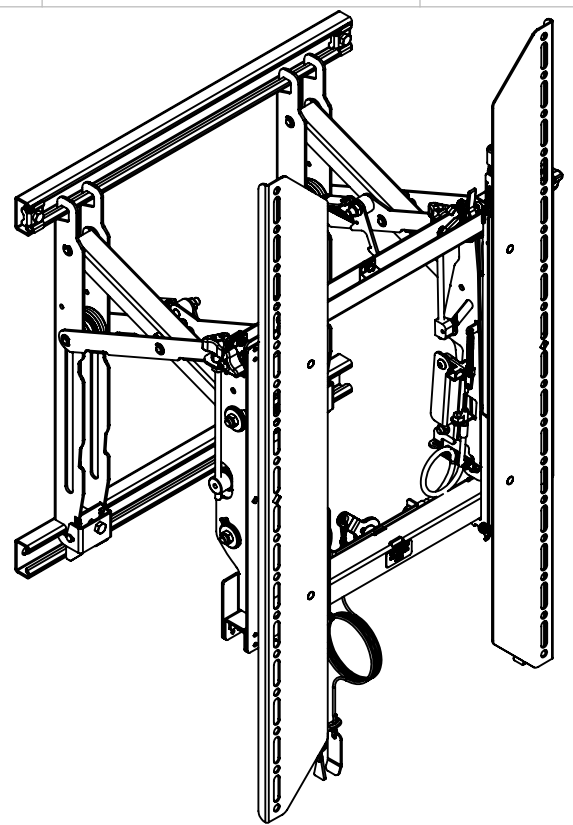
THE INFORMATION AND DESIGNS CONTAINED IN THIS DRAWING ARE CONFIDENTIAL AND THE PROPRIETARY PROPERTY OF MILESTONE AV TECHNOLOGIES NEITHER THIS DESIGN NOR ANY INFORMATION CONTAINED IN THIS DRAWING MAY BE REPRODUCED OR DISCLOSED TO OTHERS WITHOUT THE EXPRESS WRITTEN CONSENT OF MILESTONE AV TECHNOLOGIES.

CAD GENERATED DRAWING, DO NOT MANUALLY UPDATE.			<b>CHIEF</b>		6436 CITY WEST PKWY EDEN PRAIRIE MN, 55344 PHONE: 866-977-3901 FAX: 877-894-6918
DRAWN BY	MJS	12/3/2013	DESCRIPTION <b>LVXSUP, PORTRAIT VIDEO WALL MOUNT</b>		
ENG APPROVAL	MJS	3/4/2014	MODEL NO. <b>LVXSUP</b>		
MFG APPROVAL			SIZE DWG. NO. <b>B TECH-000567</b>		
QA APPROVAL			REV. <b>01</b>		
SHEET 1 OF 3		SCALE <b>1:8</b>			




THE INFORMATION AND DESIGNS CONTAINED IN THIS DRAWING ARE CONFIDENTIAL AND THE PROPRIETARY PROPERTY OF MILESTONE AV TECHNOLOGIES NEITHER THIS DESIGN NOR ANY INFORMATION CONTAINED IN THIS DRAWING MAY BE REPRODUCED OR DISCLOSED TO OTHERS WITHOUT THE EXPRESS WRITTEN CONSENT OF MILESTONE AV TECHNOLOGIES.

CAD GENERATED DRAWING, DO NOT MANUALLY UPDATE.				 6436 CITY WEST PKWY EDEN PRAIRIE MN, 55344 PHONE: 866-977-3901 FAX: 877-894-6918	
DRAWN BY	MJS	12/3/2013	DESCRIPTION		
ENG APPROVAL	MJS	3/4/2014	LVSXUP, PORTRAIT VIDEO WALL MOUNT		
MFG APPROVAL			MODEL NO.		
QA APPROVAL			LVSXUP		
SHEET 2 OF 3		SCALE	SIZE	DWG. NO.	REV.
		1:8	B	TECH-000567	01



THE INFORMATION AND DESIGNS CONTAINED IN THIS DRAWING ARE CONFIDENTIAL AND THE PROPRIETARY PROPERTY OF MILESTONE AV TECHNOLOGIES NEITHER THIS DESIGN NOR ANY INFORMATION CONTAINED IN THIS DRAWING MAY BE REPRODUCED OR DISCLOSED TO OTHERS WITHOUT THE EXPRESS WRITTEN CONSENT OF MILESTONE AV TECHNOLOGIES.

CAD GENERATED DRAWING, DO NOT MANUALLY UPDATE.				 6436 CITY WEST PKWY EDEN PRAIRIE MN, 55344 PHONE: 866-977-3901 FAX: 877-894-6918	
DRAWN BY	MJS	12/3/2013	DESCRIPTION <b>LVSXUP, PORTRAIT VIDEO WALL MOUNT</b>		
ENG APPROVAL	MJS	3/4/2014			
MFG APPROVAL					
QA APPROVAL					
SHEET 3 OF 3		SCALE	SIZE	DWG. NO.	REV.
		1:8	B	TECH-000567	01