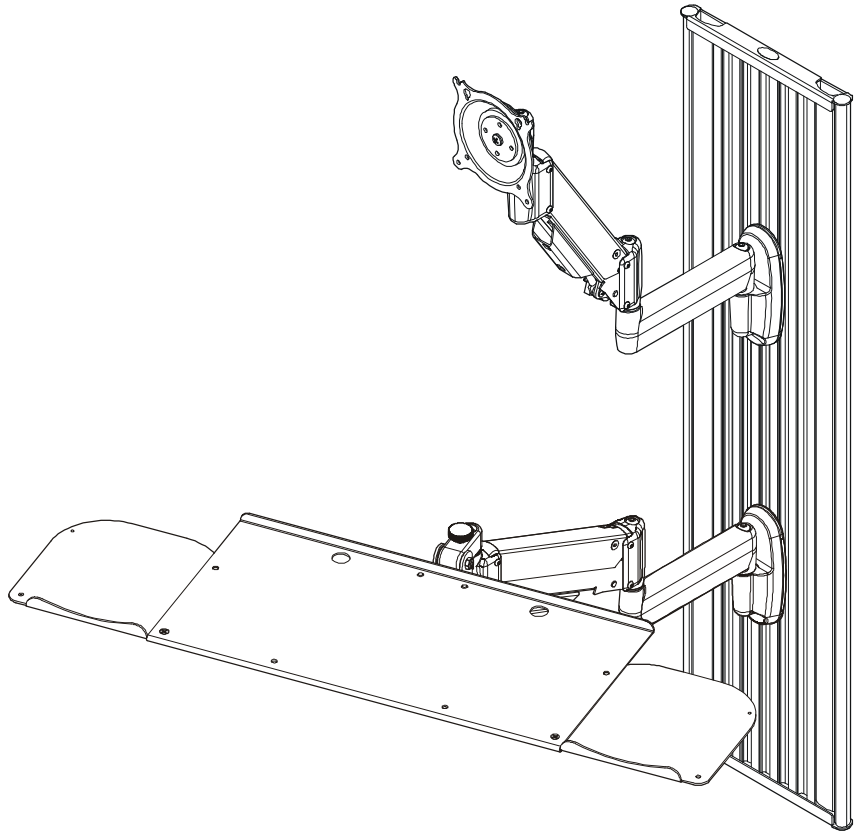
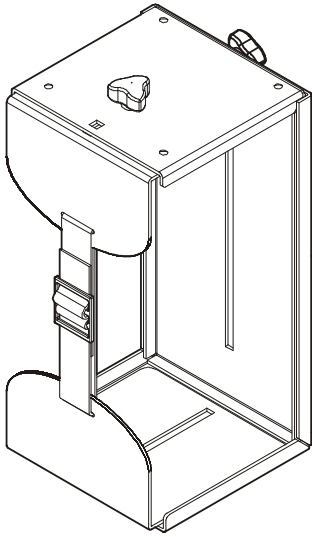

INSTALLATION INSTRUCTIONS



All-in-One Work Station

DISCLAIMER

Milestone AV Technologies, and its affiliated corporations and subsidiaries, (collectively, Milestone) intend to make this manual accurate and complete. However, Milestone makes no claim that the information contained herein covers all details, conditions or variations, nor does it provide for every possible contingency in connection with the installation or use of this product. The information contained in this document is subject to change without notice or obligation of any kind. Milestone makes no representation of warranty, expressed or implied, regarding the information contained herein. Milestone assumes no responsibility for accuracy, completeness or sufficiency of the information contained in this document.

Chief® and Centris® are registered trademarks of Milestone AV Technologies. All rights reserved.

DEFINITIONS

MOUNTING SYSTEM: A MOUNTING SYSTEM is the primary Chief product to which an accessory and/or component is attached.

ACCESSORY: AN ACCESSORY is the secondary Chief product which is attached to a primary Chief product, and may have a component attached or setting on it.

COMPONENT: A COMPONENT is an audiovisual item designed to be attached or resting on an accessory or mounting system such as a video camera, CPU, screen, display, projector, etc.



WARNING: A WARNING alerts you to the possibility of serious injury or death if you do not follow the instructions.



CAUTION: A CAUTION alerts you to the possibility of damage or destruction of equipment if you do not follow the corresponding instructions.



IMPORTANT SAFETY INSTRUCTIONS



WARNING: Failure to read, thoroughly understand, and follow all instructions can result in serious personal injury, damage to equipment, or voiding of factory warranty! It is the installer's responsibility to make sure all mounting systems / accessories are properly assembled and installed using the instructions provided.



WARNING: Failure to provide adequate structural strength for this mounting system / accessory can result in serious personal injury or damage to equipment! It is the installer's responsibility to make sure the structure to which this mounting system / accessory is attached can support five times the combined weight of all equipment. Reinforce the structure as required before installing the mounting system / accessory. The wall to which the mounting system / accessory is being attached may have a maximum drywall thickness of 5/8" (1.6cm). Do not install drywall anchors into the seam between drywall pieces.



WARNING: Exceeding the weight capacity can result in serious personal injury or damage to equipment! It is the installer's responsibility to make sure the combined weight of all components attached to the:

- CPU wall mount does not exceed 40 lbs (18.1 kg);
- Monitor mount does not exceed 25 lbs (11.3 kg);
- Keyboard tray does not exceed 10 lbs (4.5 kg).



WARNING: Use this mounting system only for its intended use as described in these instructions. Do not use attachments not recommended by the manufacturer.



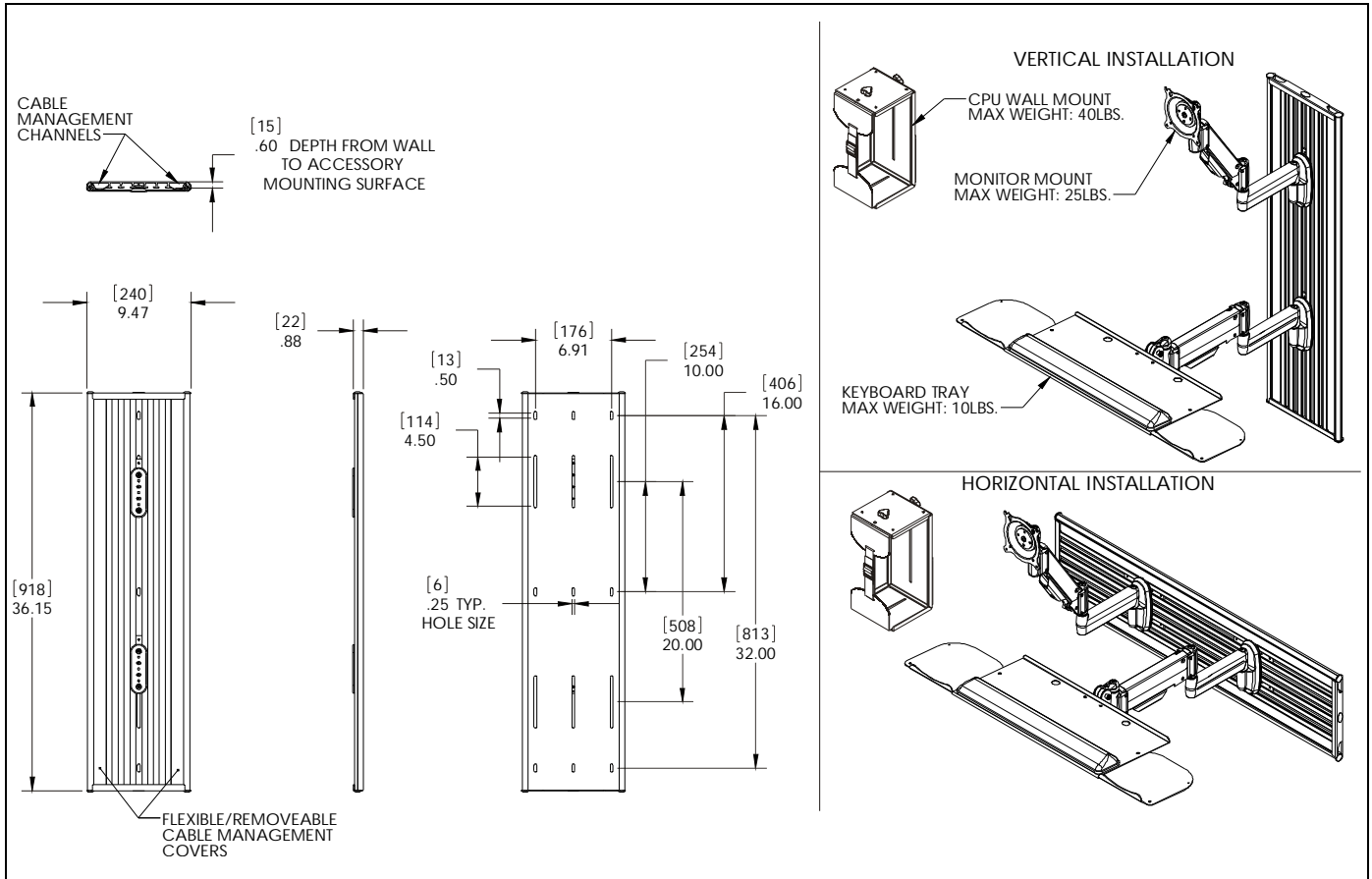
WARNING: Never operate this mounting system if it is damaged. Return the mounting system to a service center for examination and repair.



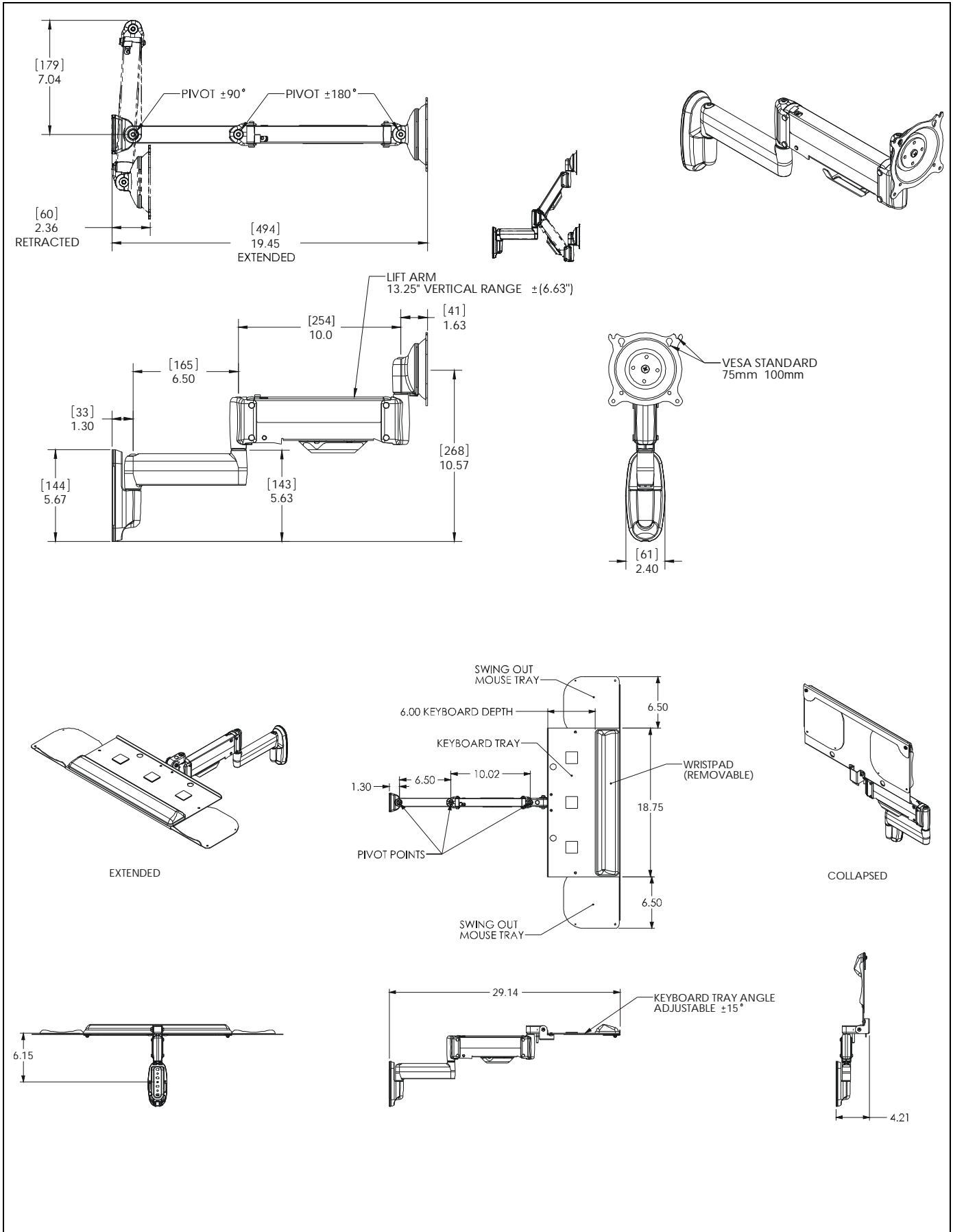
WARNING: Do not use this product outdoors.

--SAVE THESE INSTRUCTIONS--

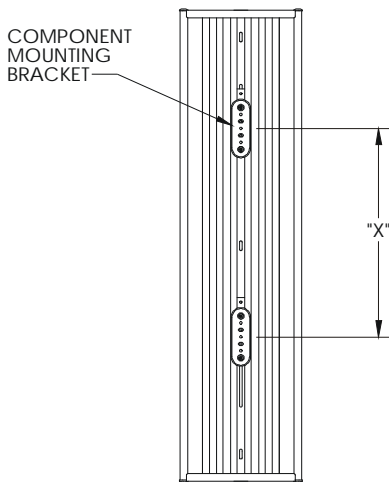
DIMENSIONS



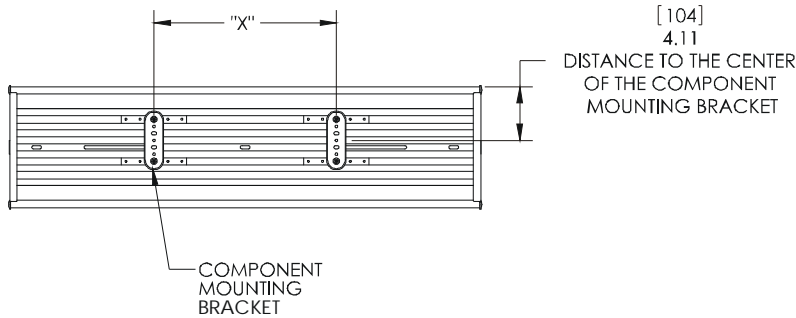
DIMENSIONS



DIMENSIONS

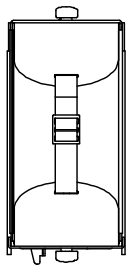
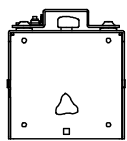


| MINIMUM DISTANCE BETWEEN COMPONENT MOUNTING BRACKETS IN VERTICAL CONFIGURATION | | |
|--|-----|----------------------|
| INSTALLATION OPTIONS | X | AVAILABLE ADJUSTMENT |
| DRYWALL | 16" | 13" |
| STEEL STUD | 8" | 21" |
| WOOD STUD | 8" | 21" |

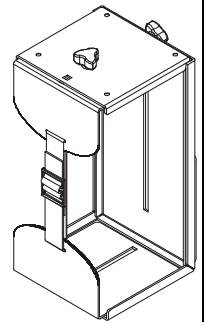
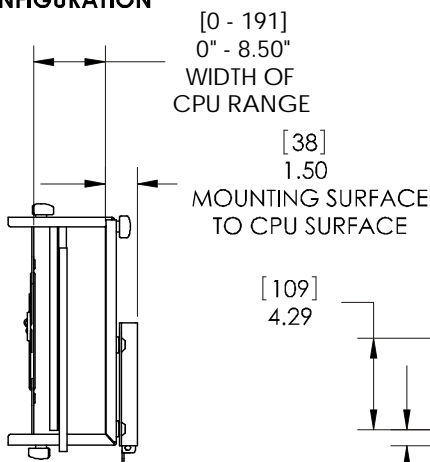


| MINIMUM DISTANCE BETWEEN COMPONENT MOUNTING BRACKETS IN HORIZONTAL CONFIGURATION | | |
|--|----|----------------------|
| INSTALLATION OPTIONS | X | AVAILABLE ADJUSTMENT |
| STEEL STUD | 8" | 23" |
| WOOD STUD | 8" | 23" |

WALL MOUNTED CONFIGURATION

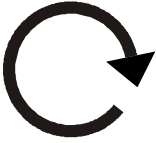













[248 - 457]
9.75" - 18.00"
HEIGHT OF CPU RANGE

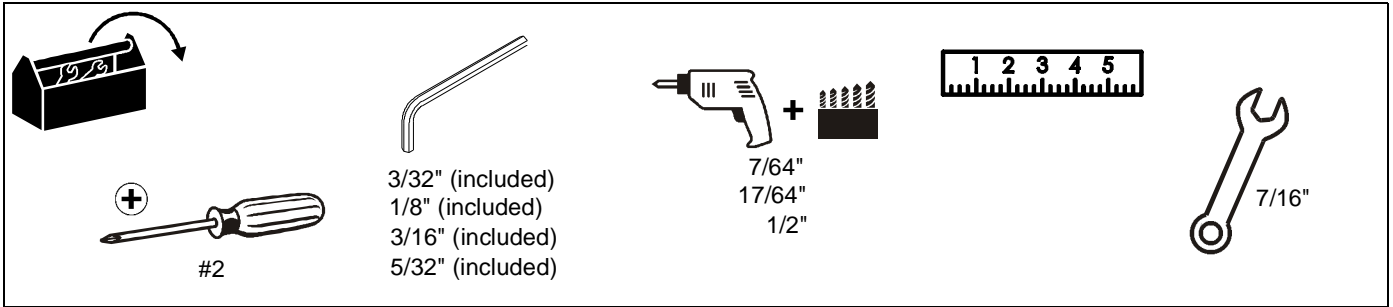


[7]
Ø.26
MOUNTING HOLES

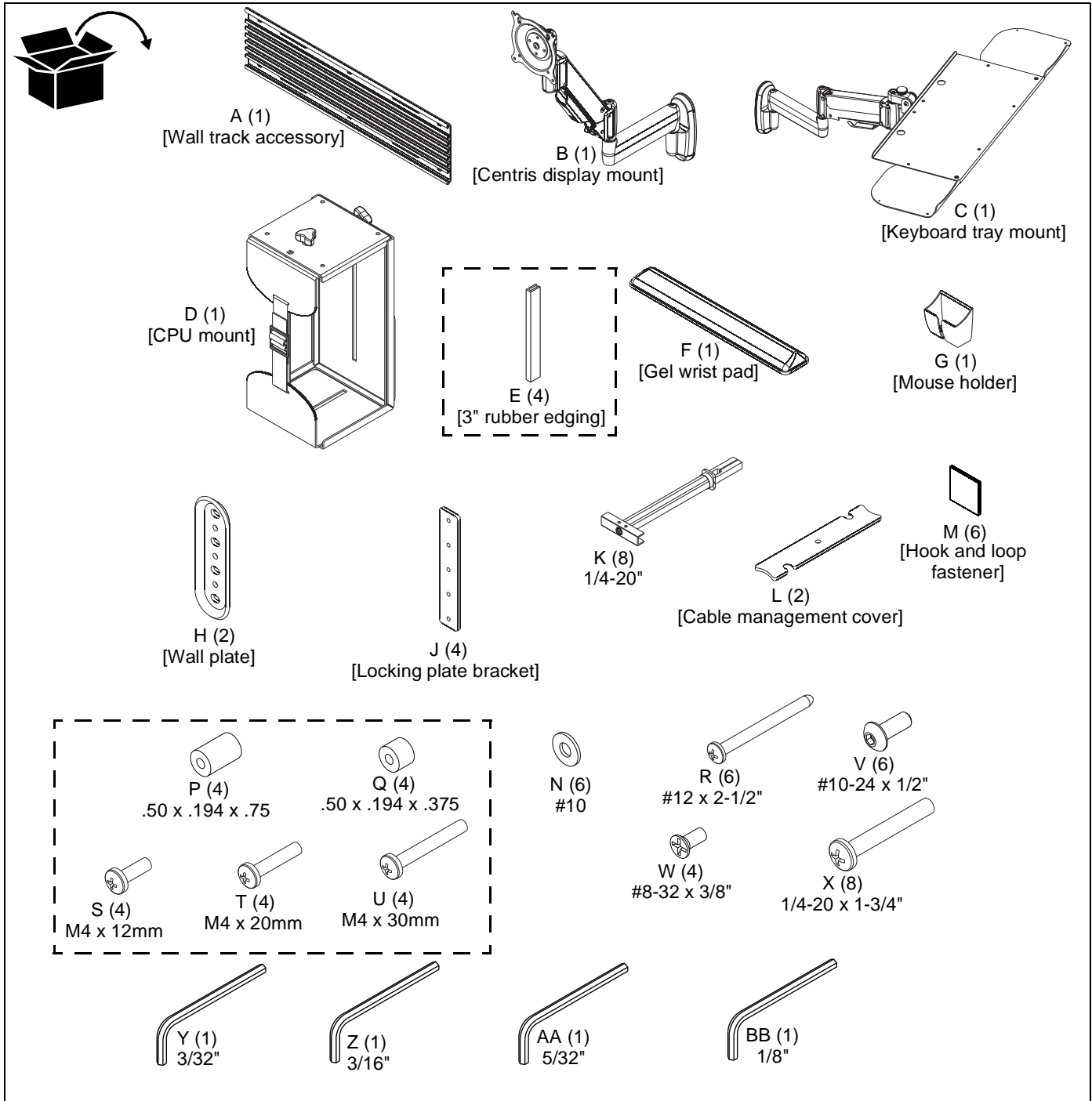
LEGEND

| | | | |
|---|---|--|--|
|  | Tighten Fastener Apretar elemento de fijación Befestigungsteil festziehen Apertar fixador Serrare il fissaggio Bevestiging vastdraaien Serrez les fixations |  | Pencil Mark Marcar con lápiz Stiftmarkierung Marcar com lápis Segno a matita Potloodmerkteken Marquage au crayon |
|  | Loosen Fastener Aflojar elemento de fijación Befestigungsteil lösen Desapertar fixador Allentare il fissaggio Bevestiging losdraaien Desserrez les fixations |  | Drill Hole Perforar Bohrloch Fazer furo Praticare un foro Gat boren Percez un trou |
|  | Phillips Screwdriver Destornillador Phillips Kreuzschlitzschraubendreher Chave de fendas Phillips Cacciavite a stella Kruiskopschroevendraaier Tournevis à pointe cruciforme |  | Adjust Ajustar Einstellen Ajustar Regolare Afstellen Ajuster |
|  | Open-Ended Wrench Llave de boca Gabelschlüssel Chave de bocas Chiave a punte aperte Steeksleutel Clé à fourche |  | Remove Quitar Entfernen Remover Rimuovere Verwijderen Retirez |
|  | By Hand A mano Von Hand Com a mão A mano Met de hand À la main |  | Optional Opcional Optional Opcional Opzionale Optie En option |
|  | Hex-Head Wrench Llave de cabeza hexagonal Sechskantschlüssel Chave de cabeça sextavada Chiave esagonale Zeskantsleutel Clé à tête hexagonale |  | Security Wrench Llave de seguridad Sicherheitsschlüssel Chave de segurança Chiave di sicurezza Veiligheidssleutel Clé de sécurité |

TOOLS REQUIRED FOR INSTALLATION



PARTS



ASSEMBLY AND INSTALLATION - CPU MOUNT

Installation of Protective Rubber Edging

1. Place four strips of protective rubber edging (E) over the sharp edges located on the top and bottom of the CPU mount (D). (See Figure 1)

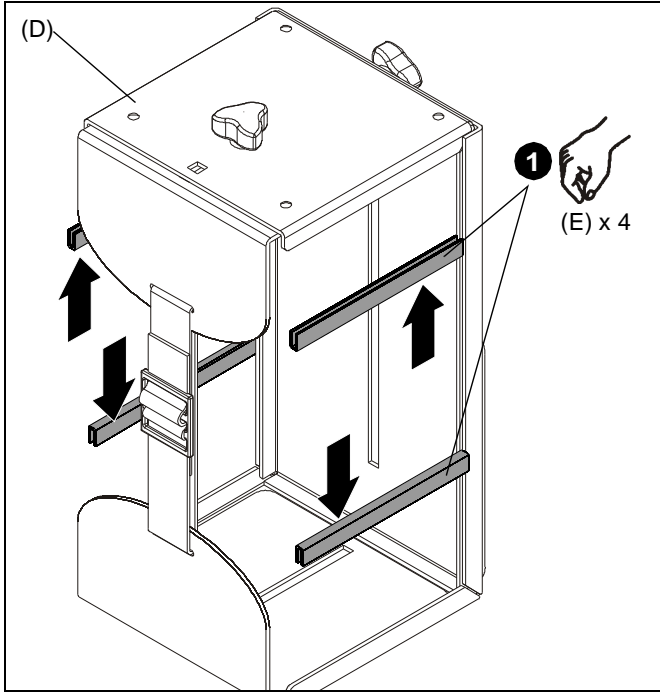


Figure 1

CPU Installation

2. Release bracket from mount by moving the flag to the open position. (See Figure 2)
3. Remove bracket from mounting buttons on back of mount. (See Figure 2)

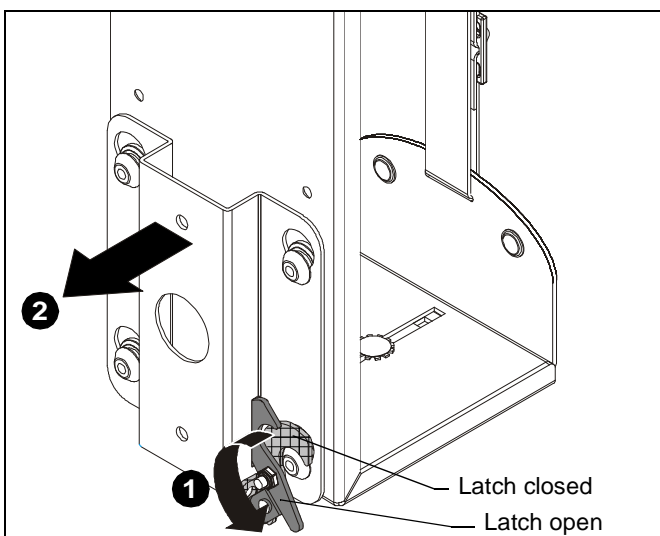


Figure 2

4. Loosen adjustment knob at the back of the mounting unit and adjust height of mount to a height greater than the height of the CPU to be installed. Loosen strap at the front of the mount if necessary. (See Figure 3)

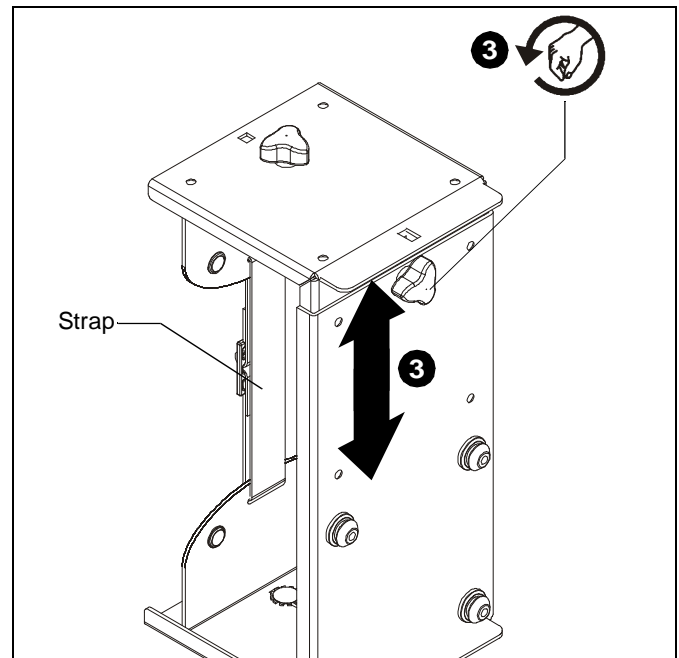


Figure 3

5. Loosen adjustment knobs on top and bottom of the mount and slide flanges in order to allow for the CPU to be inserted for mounting. (See Figure 4)

NOTE: Top and bottom knobs can be removed and inserted into the front square holes in order to allow for large CPU's to be installed. (See Figure 4)

NOTE: Flanges may be reversed in order to allow for narrow CPU's to be installed in a secure manner. If this is done, be sure to also to remove and reinstall strap so that the buckle is facing out for easy adjustment.

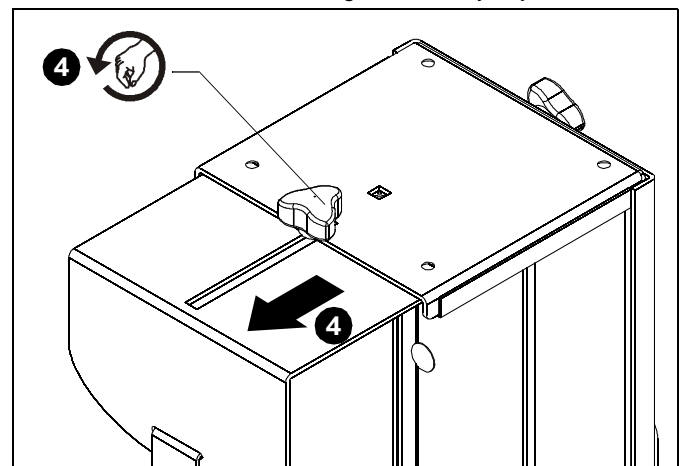


Figure 4

6. Set CPU within mount (D). (See Figure 5)

- Use adjustment knobs to compress mount around CPU until CPU is tightly secured within mount (D). (See Figure 5)

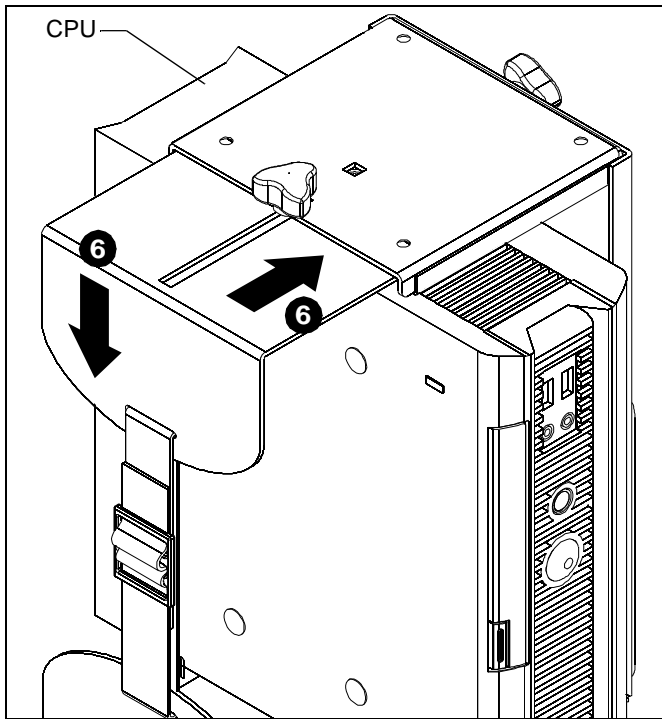


Figure 5

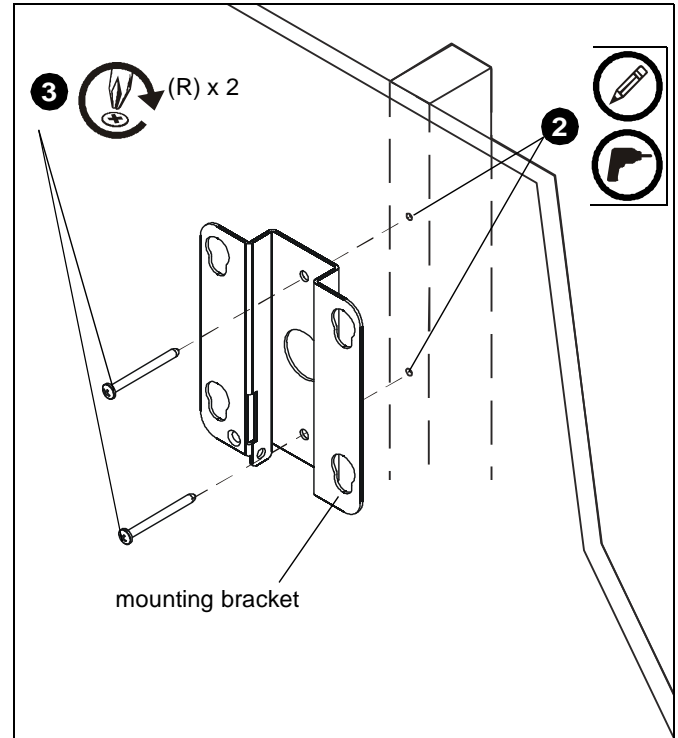


Figure 6

- Tighten front strap to desired tension.

CPU WALL MOUNT INSTALLATION



WARNING: FAILURE TO PROVIDE ADEQUATE STRUCTURAL STRENGTH FOR THIS MOUNT CAN RESULT IN SERIOUS PERSONAL INJURY OR DAMAGE TO EQUIPMENT! It is the installer's responsibility to make sure the structure to which this mount is attached can support five times the combined weight of the mount and all equipment attached to it. Reinforce the structure as required before installing the mount.

NOTE: Mount may be installed using wood studs, steel studs or it may be installed directly into drywall. For steel stud and drywall installation, proceed ahead to Site Requirements for Using Steel Studs section. For desk mounting, proceed ahead to Desk Mounting Installation section.

CPU Mount Installation Using Wood Studs

- Determine location for mount keeping in mind CPU size and safety requirements.
- Using the removed mounting bracket as a template, mark and then drill two 7/64" diameter pilot holes through top and bottom holes of wall bracket into wall. (See Figure 6)

- Install two #12 x 2 1/2" round Phillips wood screws (R) through bracket and drywall into wood stud. (See Figure 6)
- Ensure bracket is vertical, then tighten screws (R).

NOTE: Proceed ahead to Mounting CPU to Wall section to complete installation.

Site Requirements for Using Steel Studs

⚠️ WARNING: IMPROPER INSTALLATION CAN LEAD TO EQUIPMENT FALLING CAUSING SERIOUS PERSONAL INJURY OR DAMAGE TO EQUIPMENT! The figure below identifies the minimum requirements for installation of display mounts onto a steel stud structure. If the structure or its components do not meet these requirements contact the mount manufacturer for specific instructions before attempting installation. It should also be noted that no other equipment should be mounted to the same stud.

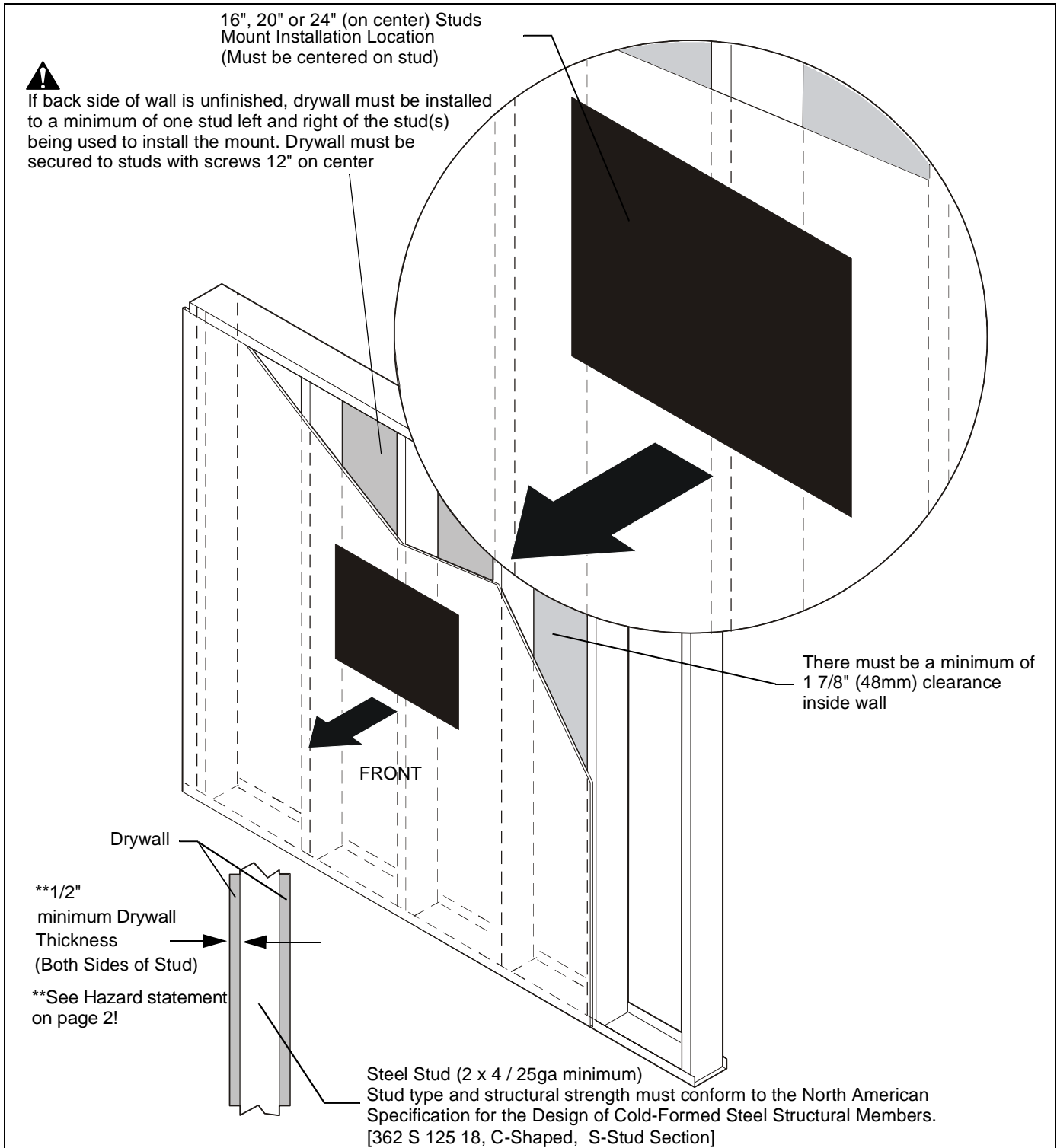


Figure 7

Wall Mounting Using Steel Studs or Drywall

After determining the site meets the installation requirements:

1. Identify desired mounting location on wall.
2. Using a stud finder or similar method locate stud.
3. Align mounting holes in mount with stud making sure mounting holes are centered on stud. (See Figure 8)



WARNING: IMPROPER INSTALLATION CAN LEAD TO EQUIPMENT FALLING CAUSING SERIOUS PERSONAL INJURY OR DAMAGE TO EQUIPMENT!

4. Mark location of two mounting holes on wall using the wall plate as a template. Mark holes where the top and bottom holes of the bracket will be connected. (See Figure 8)
5. Drill two 1/2" holes. (See Figure 8)

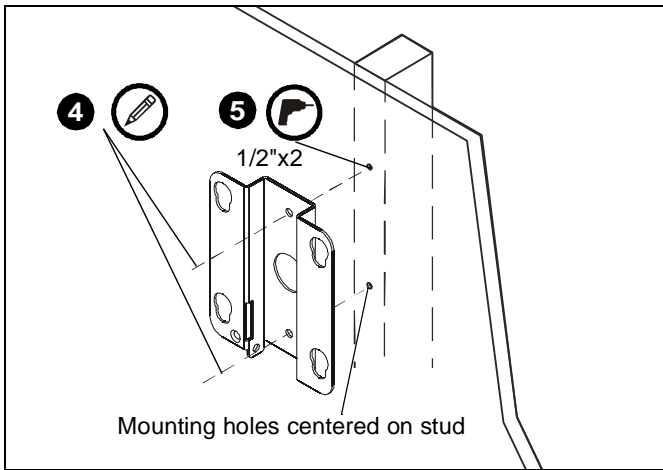


Figure 8

6. Hold metal channel on anchor (K) flat alongside plastic straps and slide channel through hole. (See Figure 9)

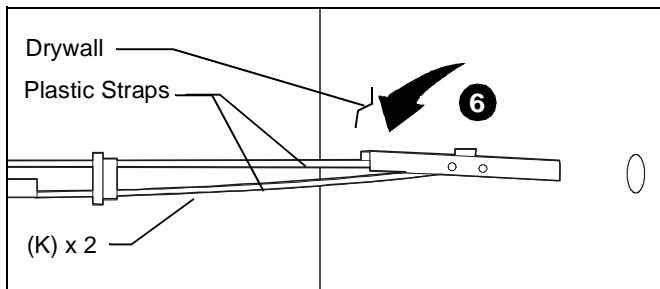


Figure 9

7. Holding plastic straps on anchor (K), pull anchor away from wall until channel rests flush behind wall making sure anchor channel is positioned vertically on stud. (See Figure 10)
8. Slide plastic cap on anchor (K) towards wall until flange of cap is flush with wall. (See Figure 10)

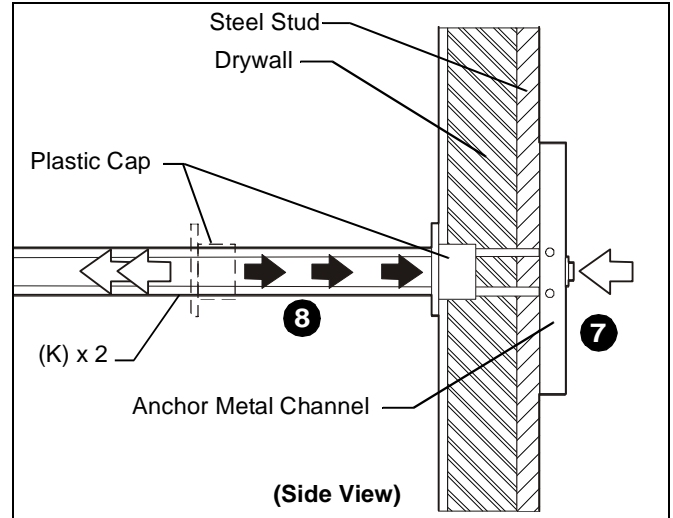


Figure 10

9. Snap off plastic straps on anchor at wall by pushing side to side, snapping off straps level with flange of plastic cap. (See Figure 11)
10. Repeat steps 6 through 9 for remaining mounting hole.

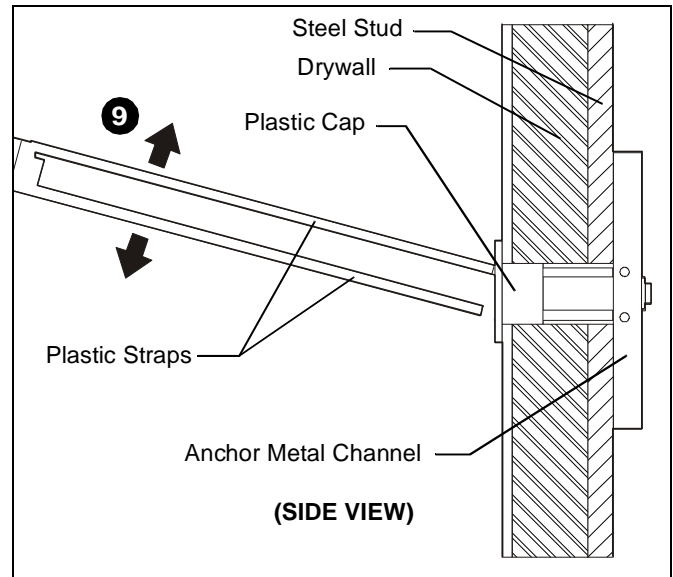


Figure 11

1. Place mounting bracket over anchors and align mounting holes in display mount with holes in anchors. (See Figure 12)
2. Insert 1/4-20 x 1-3/4" Phillips pan head screw (X) into mounting hole on mounting bracket and into anchor (K) and tighten until flush against mounting bracket. DO NOT overtighten! (See Figure 12)
3. Repeat steps 11 through 13 for remaining mounting hole.

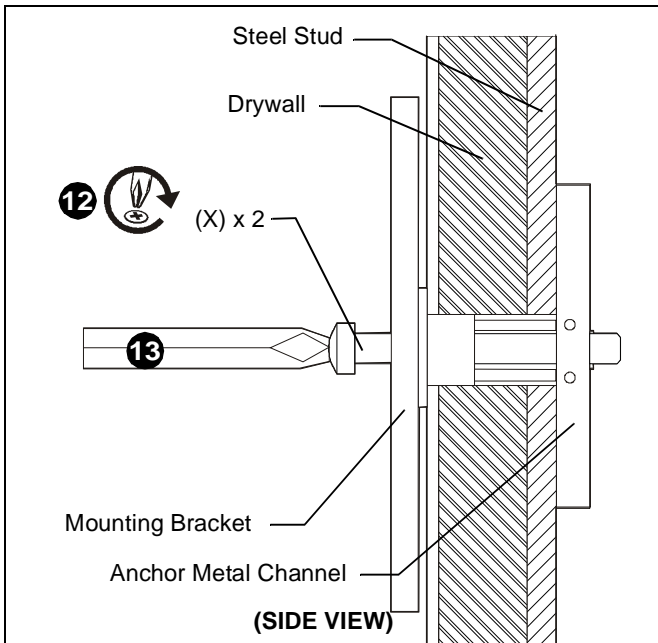


Figure 12

Mounting CPU to Wall

CAUTION: Overtightening screws may cause wall bracket to compress into soft wall surface resulting in difficult mount installation.

1. Ensure bracket flag is in the open position. (See Figure 2)
2. Insert mounting buttons into the four large mounting holes on the bracket. (See Figure 13)

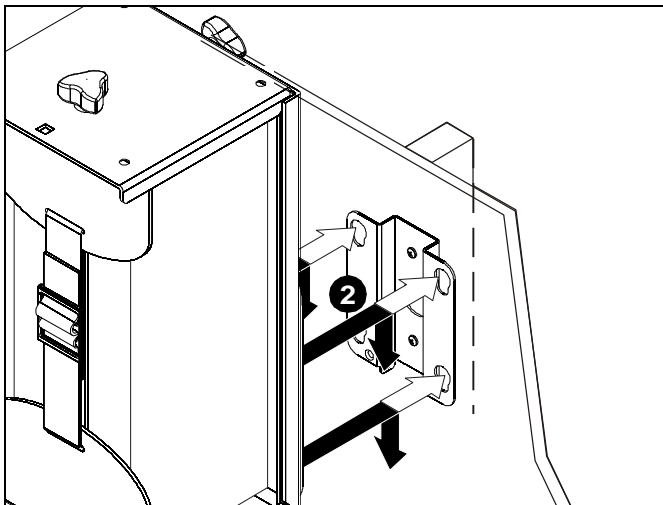


Figure 13

3. Move flag to closed position in order to fully secure mount to bracket. (See Figure 14)

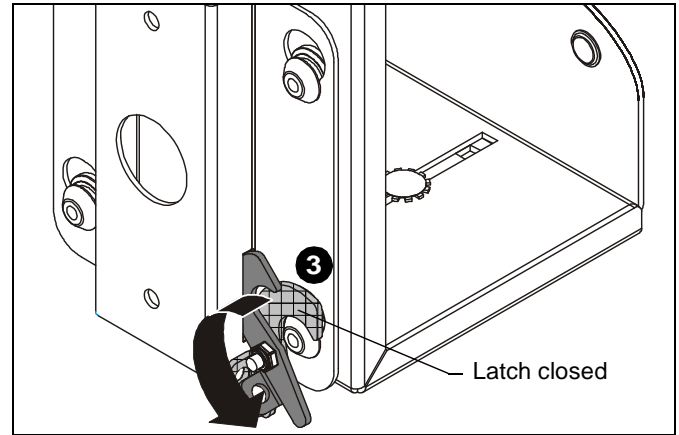


Figure 14

WALL TRACK INSTALLATION

1. Determine mounting location on wall.
2. Determine whether wall track accessory will be mounted horizontally or vertically.

WARNING: The KSA-1022 wall track accessory CANNOT be installed horizontally on drywall without wood or steel studs.

Vertical Installation using Wood Studs

1. Using a stud finder or similar method locate stud.
2. Align the middle mounting holes on mount with stud making sure mounting holes are centered on stud. (See Figure 15)
3. Using wall track accessory (A) as a template, mark location of three mounting holes on wall. (See Figure 15)

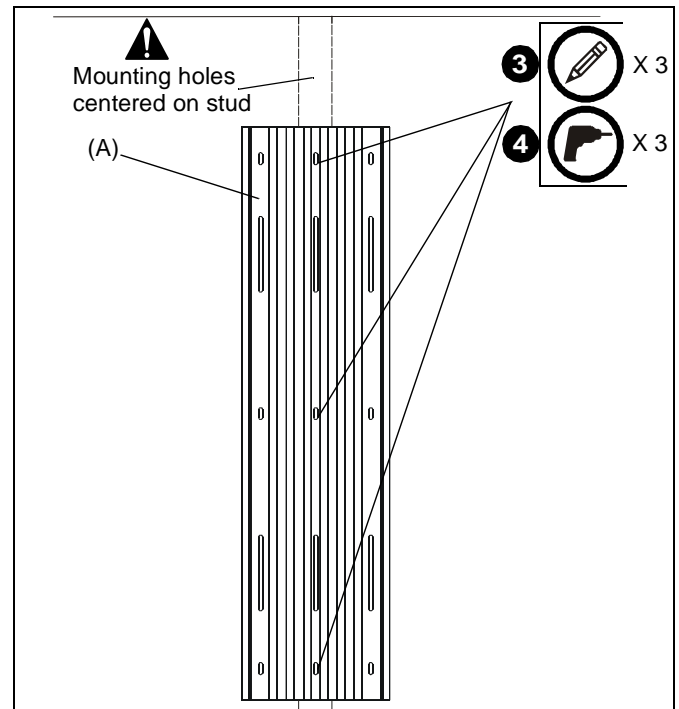


Figure 15

4. Drill three 7/64" holes. (See Figure 15)
5. Install three #12 x 2 1/2" round pan wood screws (R) through small center bracket holes and into drilled holes. (See Figure 16)

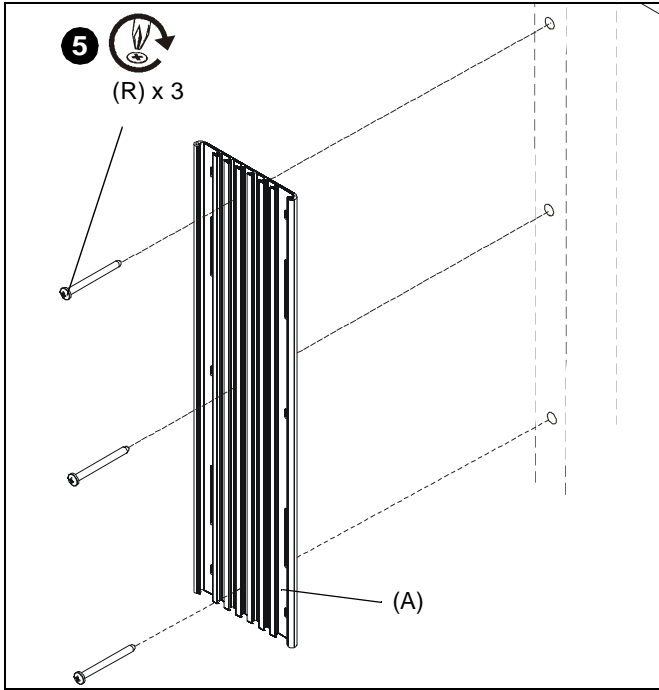


Figure 16

Vertical Installation on Drywall



WARNING: Drywall must be at least 1/2" thick in order to install wall track accessory.

1. Using wall track accessory (A) as a template, mark location of six mounting holes on wall making sure it will be level. (See Figure 17)

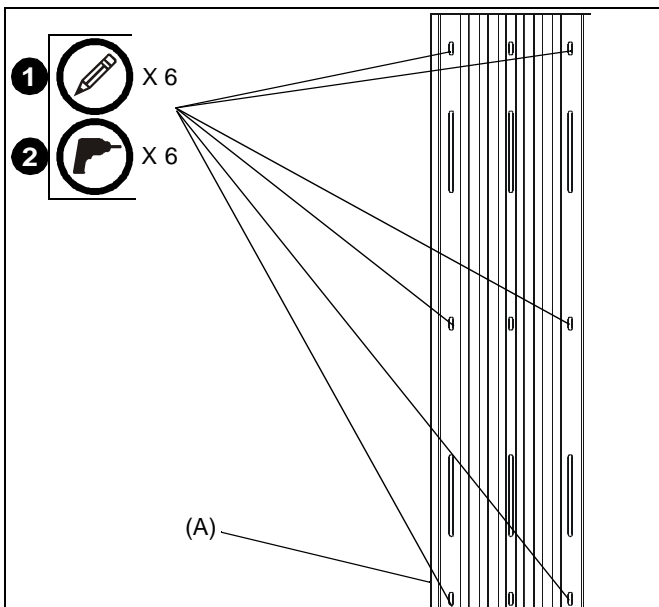


Figure 17

2. Drill six 1/2" holes at locations marked in Step 1. (See Figure 18)
3. Hold metal channel on anchor (K) flat alongside plastic straps and slide channel through hole. (See Figure 18)

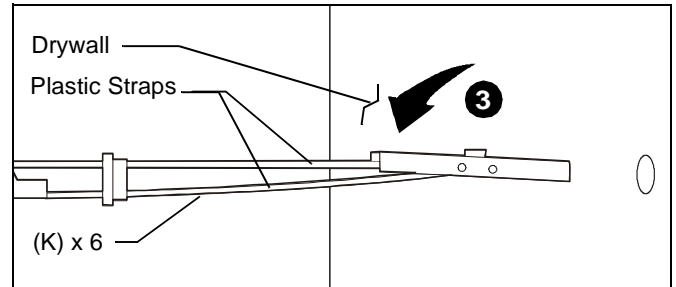


Figure 18

4. Holding plastic straps on anchor (K), pull anchor away from wall until channel rests flush behind wall making sure anchor channel is positioned vertically on stud. (See Figure 19)
5. Slide plastic cap on anchor (K) towards wall until flange of cap is flush with wall. (See Figure 19)

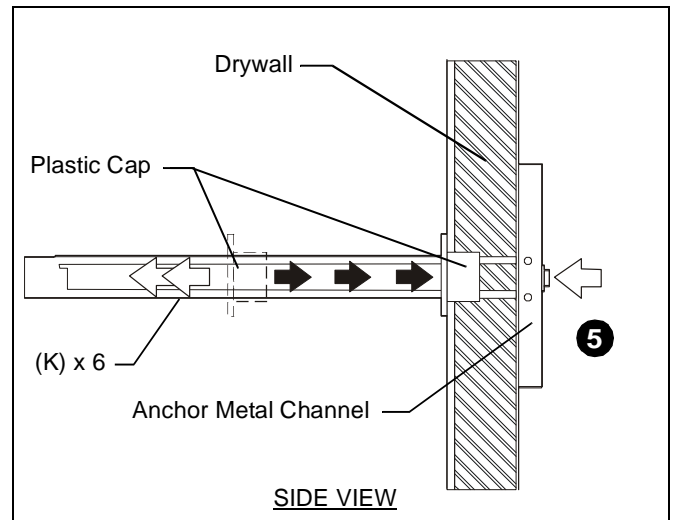


Figure 19

6. Snap off plastic straps on anchor at wall by pushing side to side, snapping off straps level with flange of plastic cap. (See Figure 20)
7. Repeat steps 3 through 6 for each mounting hole.

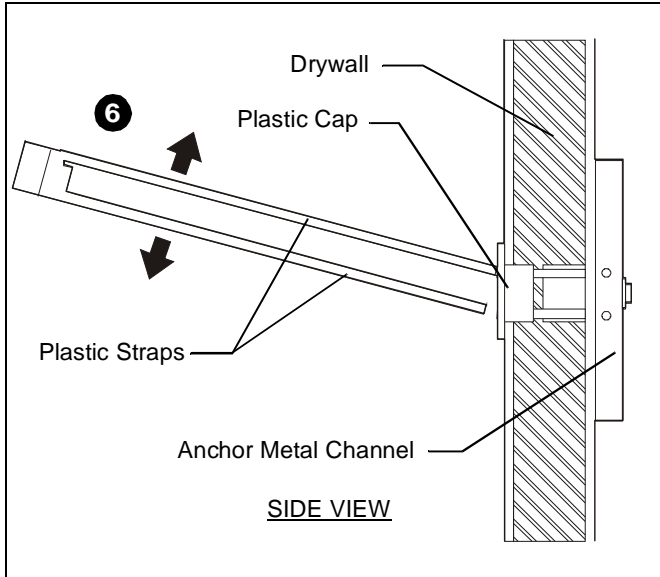


Figure 20

8. Place wall track accessory (A) over anchors and align mounting holes in display mount with holes in anchors. (See Figure 21)
9. Insert 1/4-20 x 1 3/4" Phillips pan head screws (X) through corresponding mounting hole on wall track accessory (A) and into anchor (K) and tighten until flush against mount. DO NOT overtighten! (See Figure 21)
10. Repeat steps 8 through 9 for remaining 5 mounting holes.

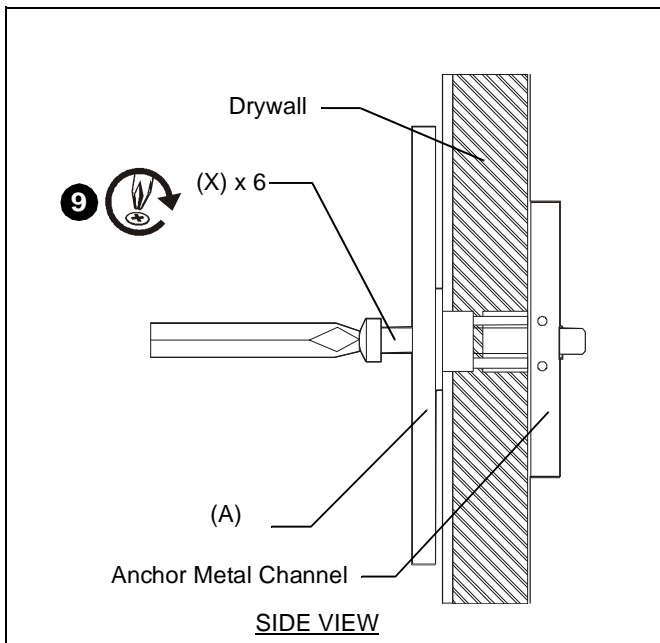


Figure 21

Horizontal Installation using Wood Studs

NOTE: Wall track accessory may be mounted horizontally to two studs that are 16", 20" or 24" apart.

1. Use a stud finder or similar method to determine location of studs.
2. Draw a vertical line down the center of the studs to be used. (See Figure 22)
3. Using wall track accessory (A) as a template, mark location of mounting holes on wall. Make sure wall track accessory is level. (See Figure 22)



WARNING: Only long holes may be used to mount device on dual studs. DO NOT mount device using the small holes unless mounting on three studs.

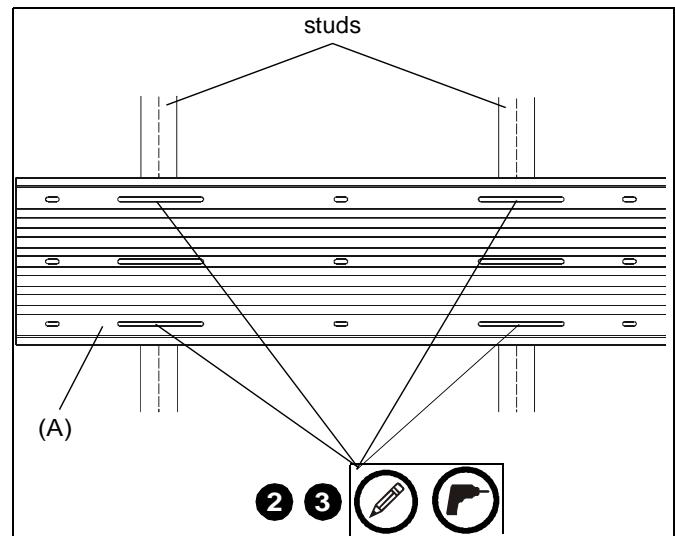


Figure 22

4. Drill 7/64" holes at each marked location. (See Figure 22)
5. Install four #12 x 2 1/2" round pan wood screws (R) through wall accessory holes into the holes drilled in Step 4. (See Figure 23)

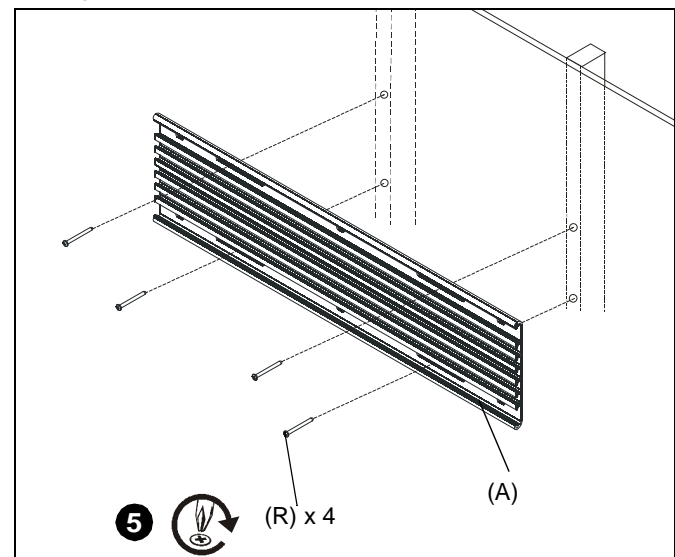


Figure 23

Vertical Installation using Steel Studs

After determining the site meets the installation requirements (see **Site Requirements for Using Steel Studs** section):

1. Identify desired mounting location on wall.
2. Using a stud finder or similar method locate stud.
3. Align the middle mounting holes on mount with stud making sure mounting holes are centered on stud. (See Figure 24)
4. Using wall track accessory (A) as a template, mark location of three mounting holes on wall. (See Figure 24)

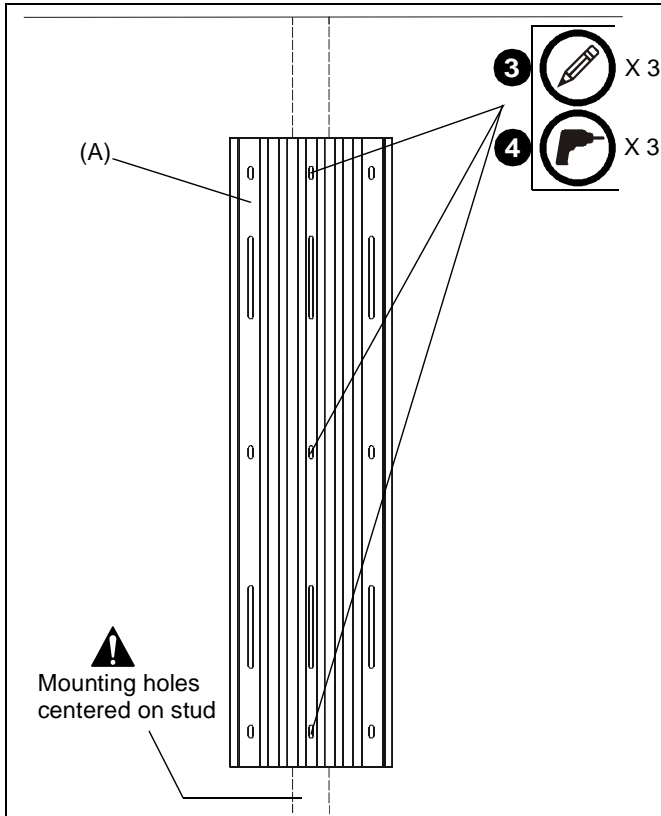


Figure 24

5. Drill three 1/2" holes in locations marked in Step 4.
6. Hold metal channel on anchor (K) flat alongside plastic straps and slide channel through hole. (See Figure 25)

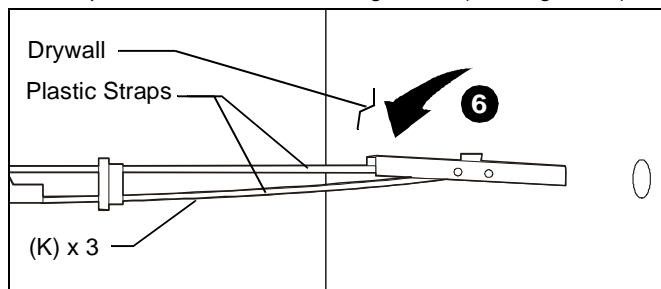


Figure 25

7. Holding plastic straps on anchor (K), pull anchor away from wall until channel rests flush behind wall making sure anchor channel is positioned vertically on stud. (See Figure 26)

8. Slide plastic cap on anchor (K) towards wall until flange of cap is flush with wall. (See Figure 26)

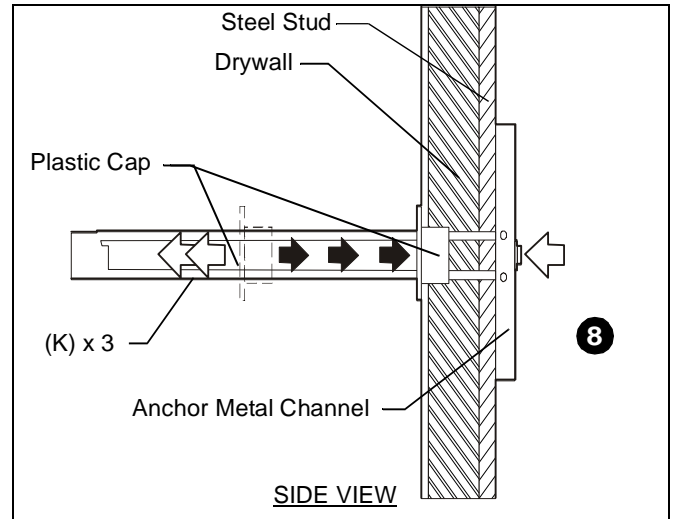


Figure 26

9. Snap off plastic straps on anchor at wall by pushing side to side, snapping off straps level with flange of plastic cap. (See Figure 27)
10. Repeat steps 6 through 9 for each mounting hole.

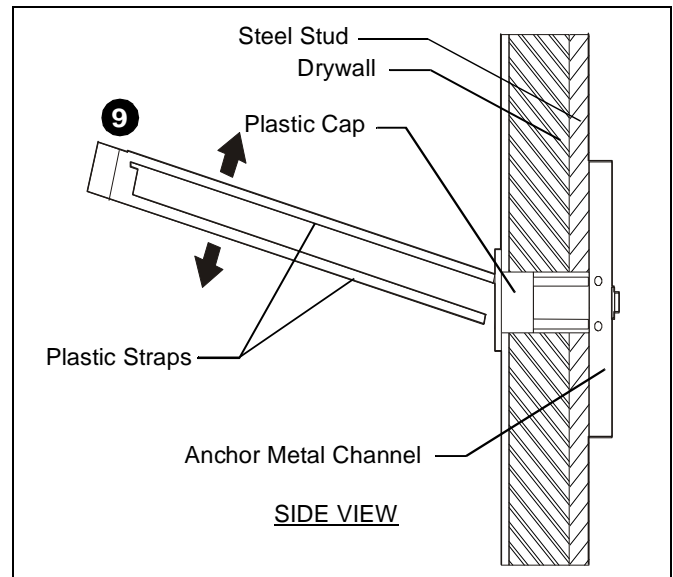


Figure 27

11. Place wall track accessory (A) over anchors and align mounting holes in display mount with holes in anchors. (See Figure 27)
12. Insert 1/4-20 x 1 3/4" Phillips pan head screws (X) through corresponding mounting hole on wall track accessory and into anchor (K) and tighten until flush against mount. DO NOT overtighten! (See Figure 28)
13. Repeat steps 11 through 12 for remaining 2 mounting holes.

WARNING: IMPROPER INSTALLATION CAN LEAD TO EQUIPMENT FALLING CAUSING SERIOUS PERSONAL INJURY OR DAMAGE TO EQUIPMENT! Overtightening of mounting hardware can damage the steel studs. DO NOT overtighten mounting hardware!

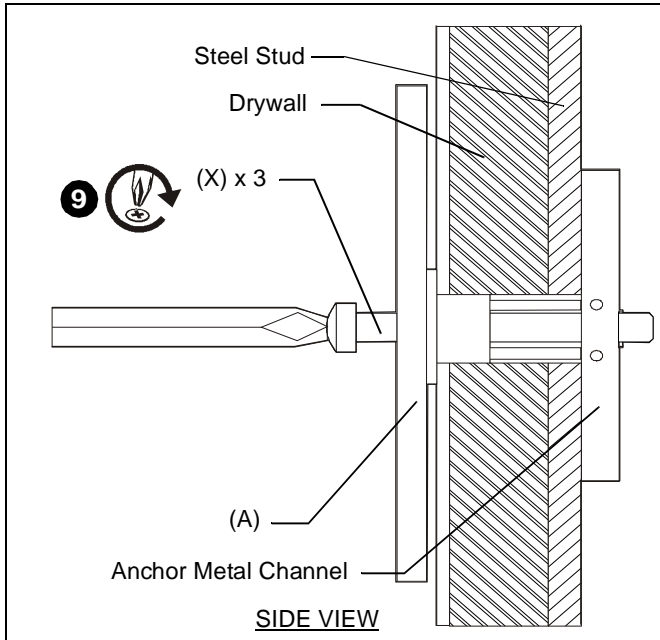


Figure 28

Horizontal Installation Using Steel Studs

NOTE: Wall track accessory may be mounted horizontally to two studs that are 16", 20" or 24" apart.

After determining the site meets the installation requirements:

1. Identify desired mounting location on wall.
2. Use a stud finder or similar method to determine location of studs.
3. Draw a vertical line down the center of the studs to be used. (See Figure 29)
4. Using wall track accessory (A) as a template, mark location of three mounting holes on wall. Make sure wall track accessory is level. (See Figure 29)

WARNING: Only long holes may be used to mount device on dual studs. DO NOT mount device using the small holes!

5. Drill 1/2" holes at each marked location. (See Figure 29)

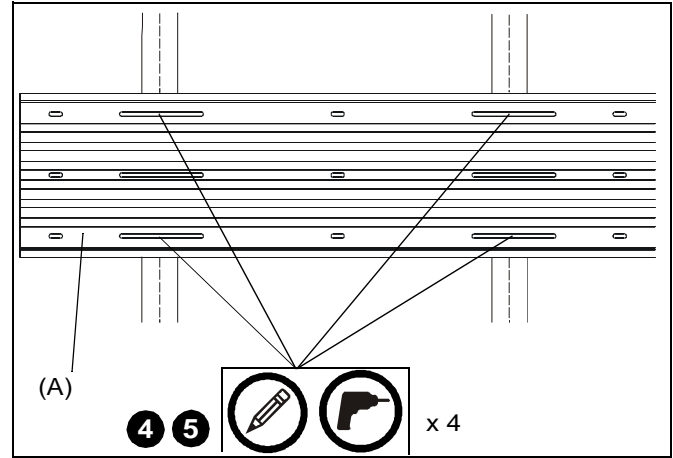


Figure 29

6. Hold metal channel on anchor (K) flat alongside plastic straps and slide channel through hole. (See Figure 30)

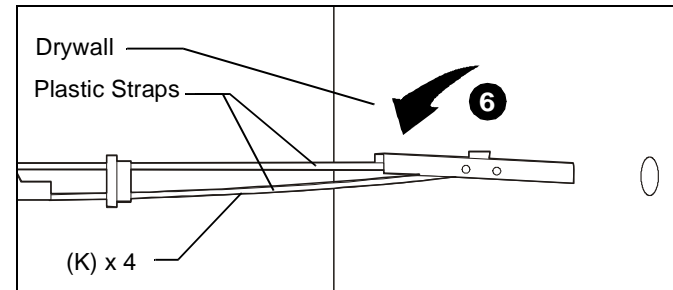


Figure 30

7. Holding plastic straps on anchor (K), pull anchor away from wall until channel rests flush behind wall making sure anchor channel is positioned vertically on stud. (See Figure 31)
8. Slide plastic cap on anchor (K) towards wall until flange of cap is flush with wall. (See Figure 31)

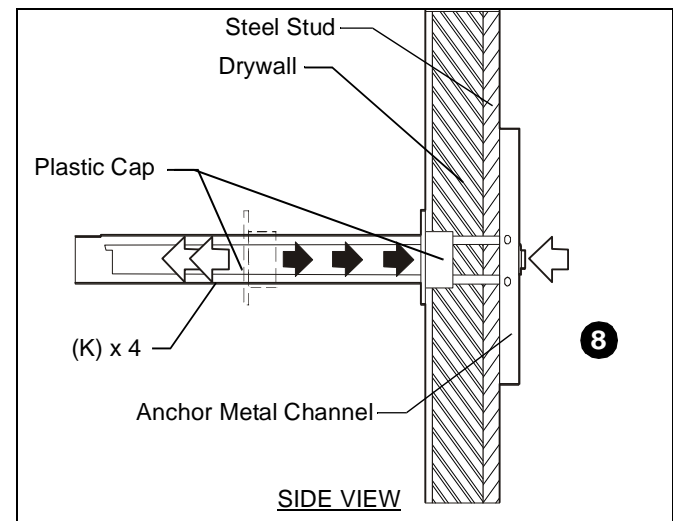


Figure 31

9. Snap off plastic straps on anchor at wall by pushing side to side, snapping off straps level with flange of plastic cap. (See Figure 32)

10. Repeat steps 6 through 9 for each mounting hole.

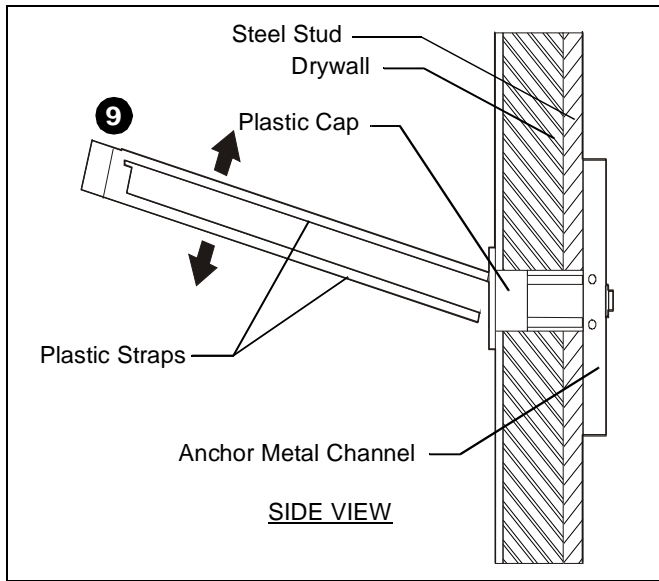


Figure 32

11. Place wall track accessory (A) over anchors and align mounting holes in display mount with holes in anchors. (See Figure 33)
12. Insert 1/4-20 x 1 3/4" Phillips pan head screws (D) through corresponding mounting hole on wall track accessory and into anchor (C) and tighten until flush against mount. DO NOT overtighten! (See Figure 33)
13. Repeat steps 11 through 12 for remaining mounting holes.

⚠ WARNING: IMPROPER INSTALLATION CAN LEAD TO EQUIPMENT FALLING CAUSING SERIOUS PERSONAL INJURY OR DAMAGE TO EQUIPMENT! Overtightening of mounting hardware can damage the steel studs. DO NOT overtighten mounting hardware!

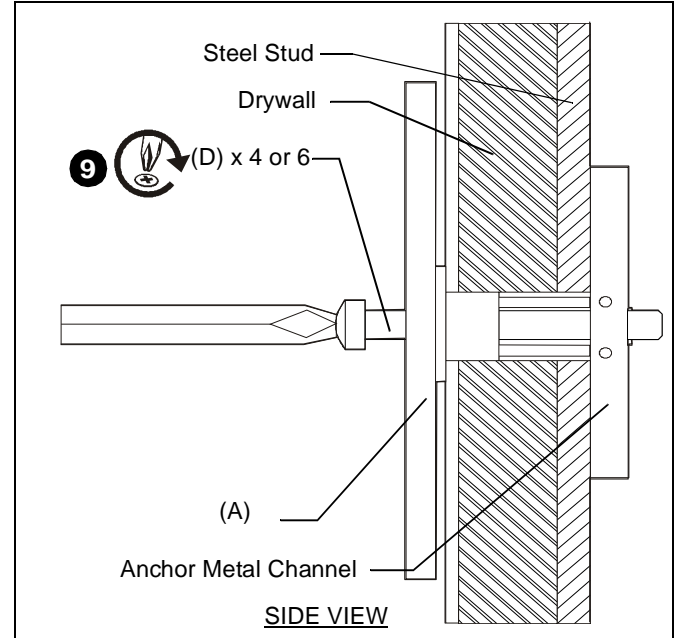


Figure 33

Mount Installation on Horizontal Bracket

⚠ WARNING: Exceeding the weight capacity can result in serious personal injury or damage to equipment! It is the installer's responsibility to make sure the weight of each component attached to the KSA-1022 wall track accessory does not exceed 25 lbs (11.3 kg) or the specific weight limit for the attached mounting device.

⚠ WARNING: For horizontal mounting on wood or steel studs, a minimum distance of 8" must exist between mounted devices. (See Figure 34)

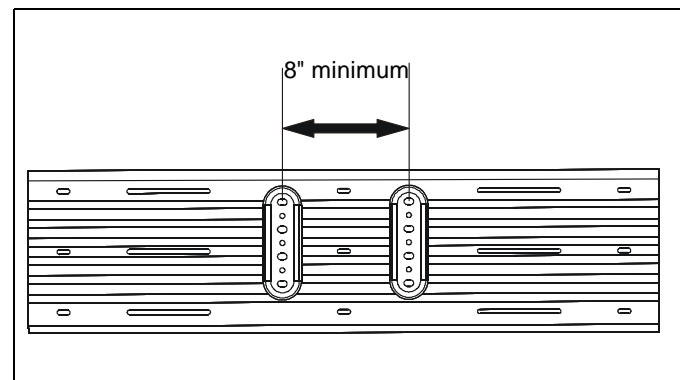


Figure 34

1. Remove side cover to slide locking plate brackets (J) into wall track accessory (A) at the desired mounting location. (See Figure 35)

NOTE: Locking plate brackets must be inserted into the top channel and second channel from the bottom.

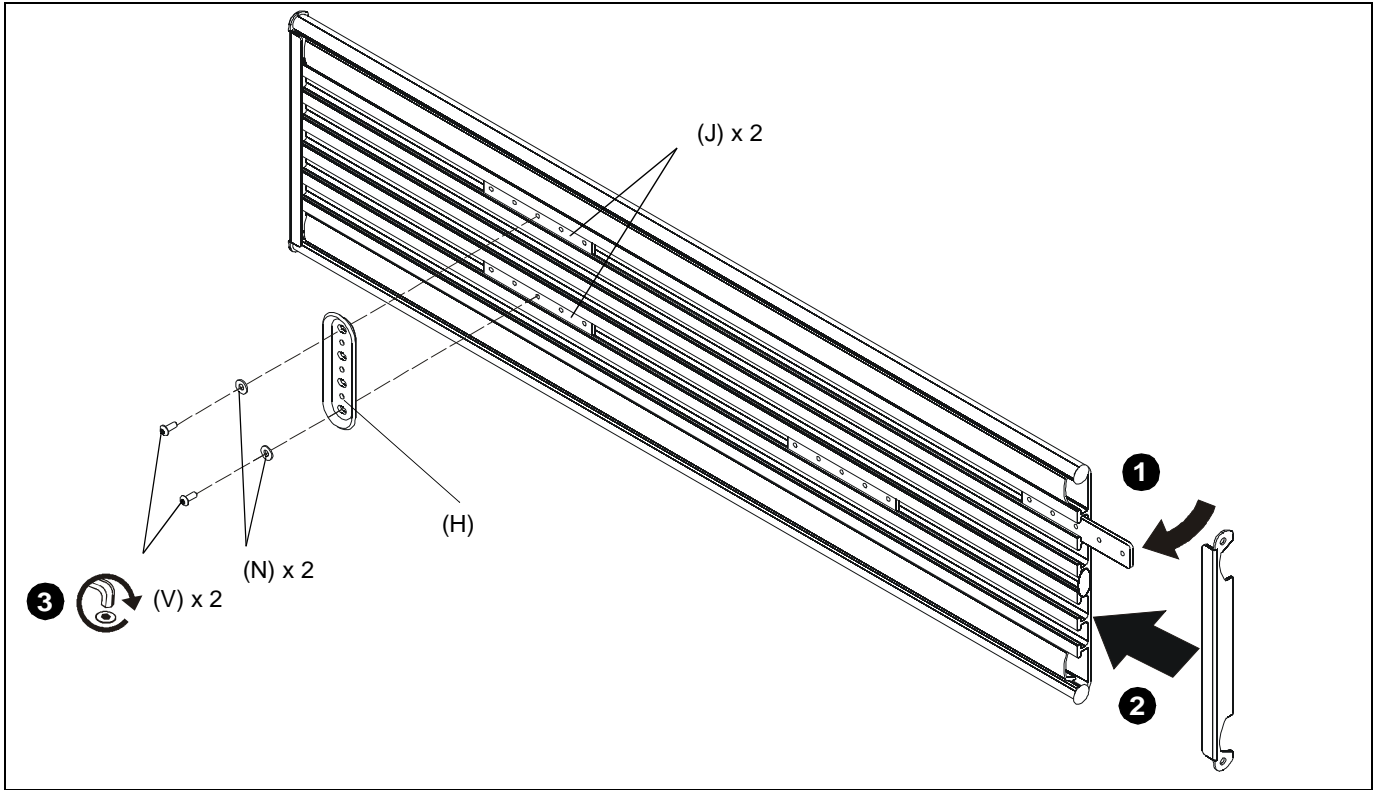


Figure 35

2. Reinstall side cover to wall track accessory after locking plate brackets have been inserted. (See Figure 35)
3. Use 1/8" hex key (BB) to install #10 button head cap screws (V) through #10 washers (N) and wall plate (H) into center holes of locking plate brackets (J). (See Figure 35)
4. Ensure wall plate (H) is vertical, then tighten screws (V). (See Figure 35)



WARNING: Overtightening screws may cause wall bracket to compress into wall track accessory surface, resulting in difficult mount installation or improper engaging of set screw in later step.

5. Insert top of Centris display mount (B) over lip on top of wall plate (H) on preferred location. (See Figure 36)
6. Swing Centris display mount (B) down flush against wall track accessory (A). (See Figure 36)

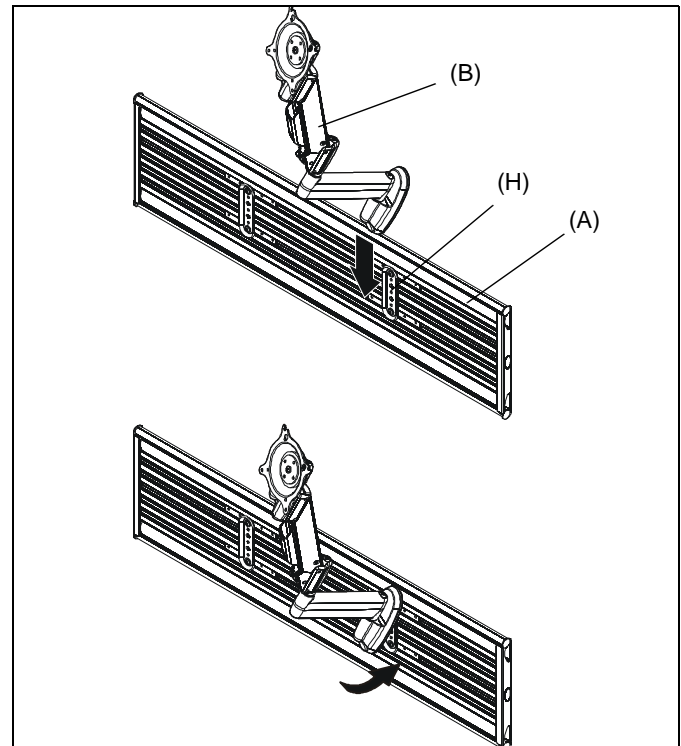


Figure 36

- Use 5/32" hex driver (AA) to tighten set screw in bottom of wall mount. (See Figure 37)

NOTE: Ensure set screw engages on back side of wall plate to properly secure wall mount.

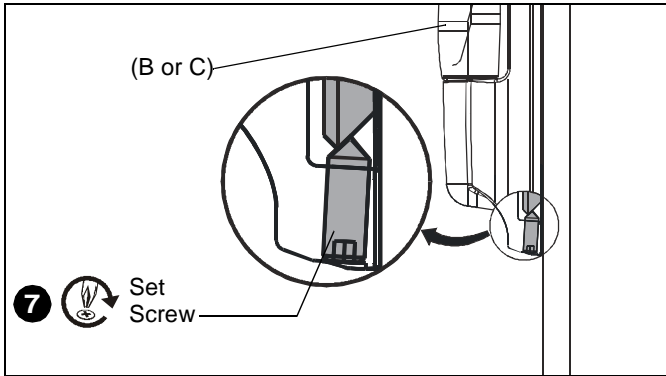


Figure 37

- Insert top of keyboard tray mount (C) over lip on top of the other wall plate (H). (See Figure 38)
- Swing keyboard tray mount (C) down flush against wall. (See Figure 38)

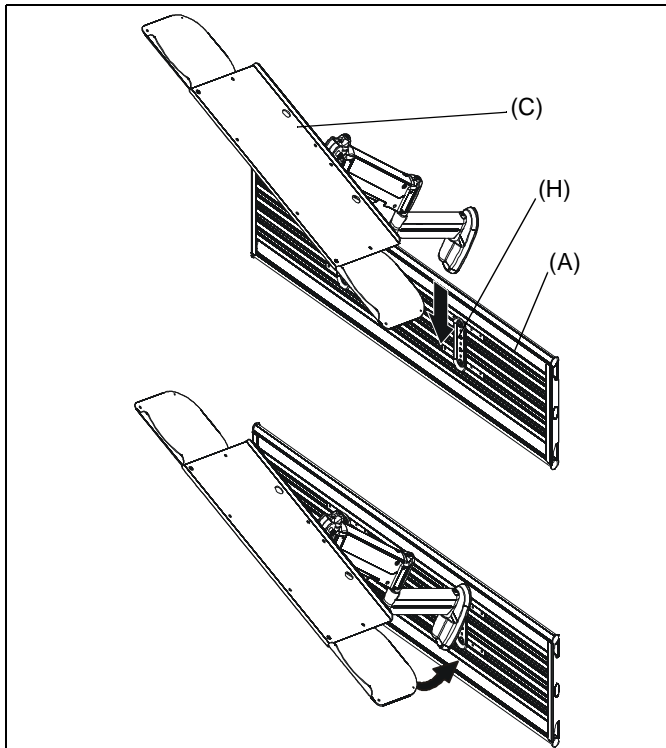


Figure 38

- Use 5/32" hex driver (AA) to tighten set screw in bottom of wall mount. (See Figure 37)

NOTE: Ensure set screw engages on back side of wall plate to properly secure wall mount.

Mount Installation on Vertical Bracket



WARNING: Exceeding the weight capacity can result in serious personal injury or damage to equipment! It is the installer's responsibility to make sure the weight of each component attached to the KSA-1022 wall track accessory does not exceed 25 lbs (11.3 kg) or the specific weight limit for the attached mounting device.



WARNING: For vertical mounting on wood or steel studs, a minimum distance of 8" must exist between mounted devices. For vertical mounting on drywall, a minimum distance of 16" must exist between mounted devices. (See Figure 39)

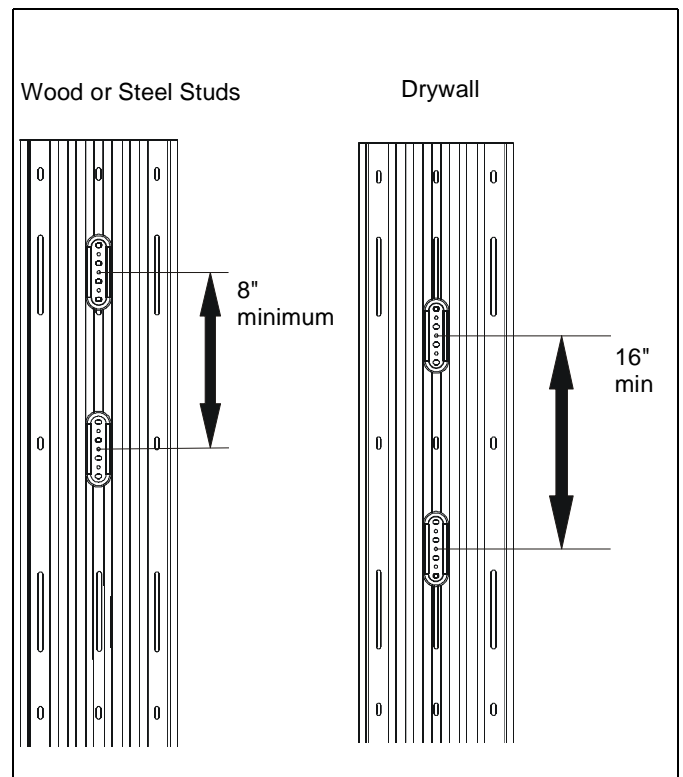


Figure 39

- Remove side cover to slide locking plate brackets (J) into wall track accessory (A) at the desired mounting location. (See Figure 40)

NOTE: Locking plate brackets must be inserted into center channel on wall track accessory.

- Reinstall side cover to wall track accessory after all locking plate brackets have been inserted. (See Figure 40)

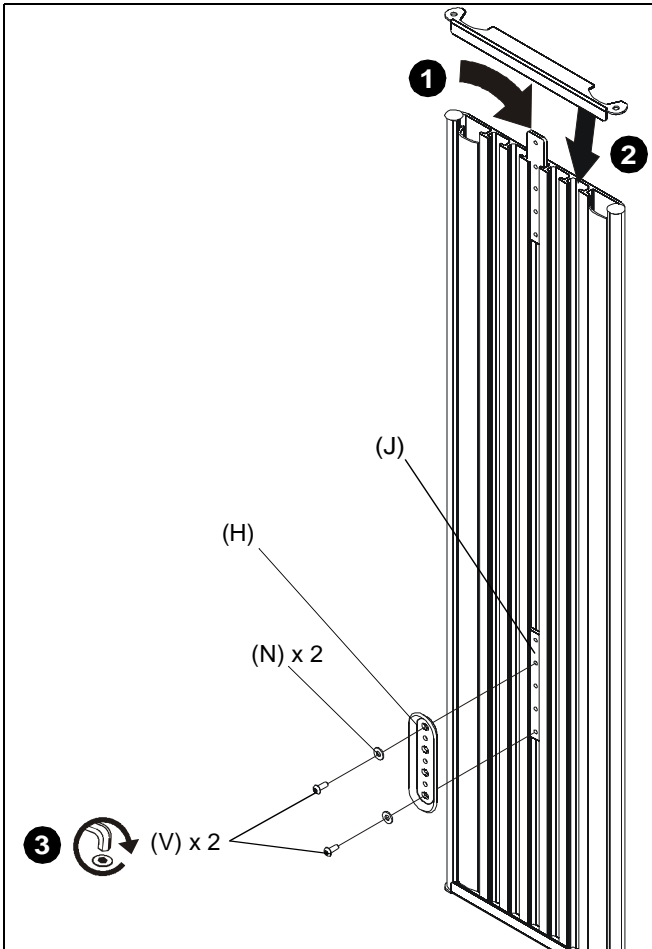


Figure 40

- Use 1/8" hex key (BB) to install #10 button head cap screws (V) through #10 washers (N) and wall plate (H) into center holes of locking plate brackets (J). (See Figure 40)

NOTE: Wall brackets must be secured by installing screws through the top and bottom holes of the wall plate (H). (See Figure 40)

- Ensure wall plate (H) is vertical, then tighten screws (V).



CAUTION: Overtightening screws may cause wall bracket to compress into wall track accessory surface, resulting in difficult mount installation or improper engaging of set screw in later step.

- Insert top of Centris display mount (B) over lip on top of wall plate (H) on preferred location. (See Figure 36)
- Swing Centris display mount (B) down flush against wall track accessory (A). (See Figure 36)
- Use 5/32" hex driver (AA) to tighten set screw in bottom of wall mount. (See Figure 37)

NOTE: Ensure set screw engages on back side of wall plate to properly secure wall mount.

- Insert top of keyboard tray mount (C) over lip on top of the other wall plate (H). (See Figure 38)

- Swing keyboard tray mount (C) down flush against wall. (See Figure 38)
- Use 5/32" hex driver (AA) to tighten set screw in bottom of wall mount. (See Figure 37)

NOTE: Ensure set screw engages on back side of wall plate to properly secure wall mount.

Keyboard and Wrist Pad Installation

- Remove adhesive backing from one side of hook and loop connectors (M).
- Place hook and loop connectors (M) on bottom of the keyboard and bottom of wrist pad (F) approximately as shown. (See Figure 41)

NOTE: Place connectors only on flat sections of the keyboard to ensure that they stick to the surface.

- Remove the adhesive backing from the other side of the hook and loop connectors (M).
- Firmly place keyboard on keyboard tray making sure to leave room for the wrist pad if necessary. (See Figure 41)
- Firmly place wrist pad (F) on keyboard tray in front of the keyboard. (See Figure 41)

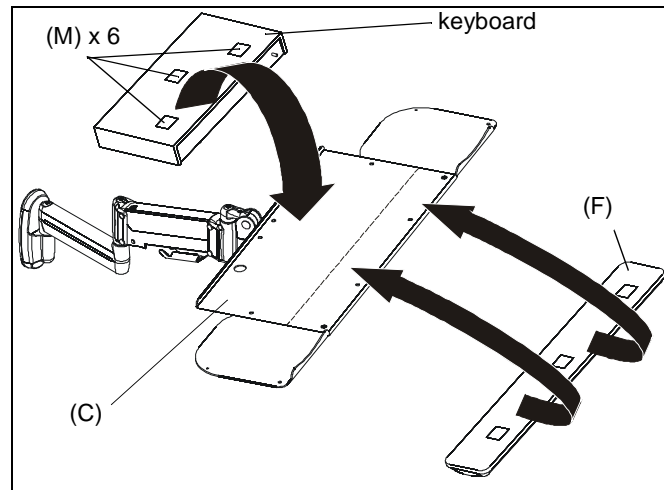


Figure 41

Mouse Holder Installation

1. Remove adhesive backing from mouse holder (G).
2. Place mouse holder (G) on wall at desired location. (See Figure 42)

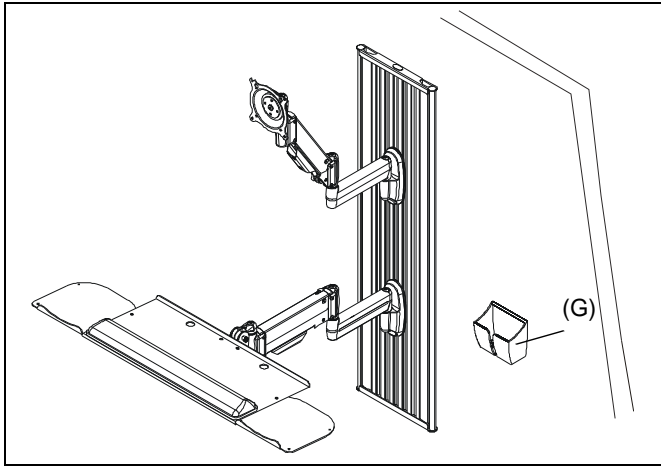


Figure 42

Cable Management - Keyboard Tray

1. Thread keyboard cable through one of two holes along the back edge of the keyboard tray.
2. Open the cable management bracket by sliding it towards the edge of the arm. (See Figure 43)

NOTE: If necessary, cable management bracket attach screws may be loosened using 3/16" hex key (Z).

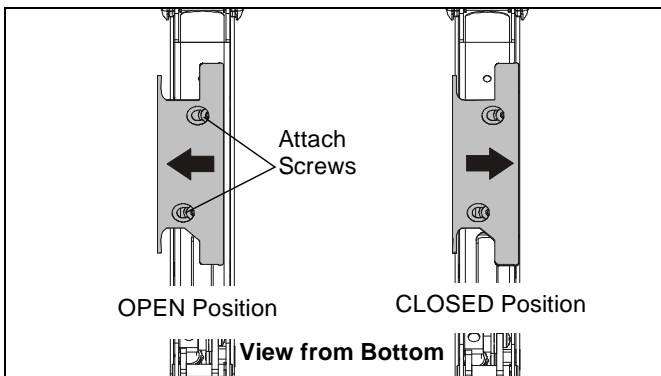


Figure 43



CAUTION: Ensure that adequate cable slack exists for movement of keyboard and mouse, and that cables will not be pinched when bracket is closed.

3. Carefully insert cables into bracket. (See Figure 44)

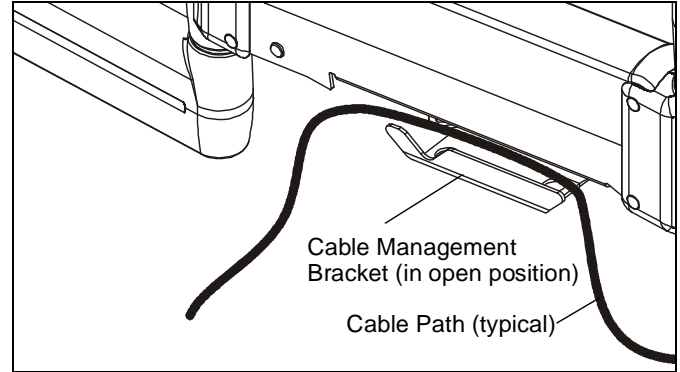


Figure 44

4. Close cable management bracket by sliding it back towards the centerline of the arm.

NOTE: If necessary, cable management bracket attach screws may be tightened using 3/16" hex key (Z).

5. Carefully insert cables in cavity located in lower portion of mount arm. (See Figure 45)
6. Using Phillips screwdriver, install cover (L) with two #8-32 x 3/8" Phillips flat screws (W). (See Figure 45)

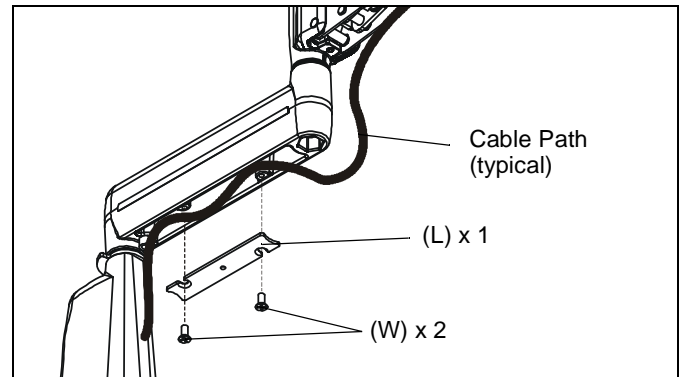


Figure 45

7. Tuck cable inside cable management flap. (See Figure 46)
8. Remove side cover to wall track accessory.
9. Pull cable through cable management flap until cable outlet plug extends outside the wall track accessory. (See Figure 46)
10. Reinstall side cover making sure the cable runs through the cable hole. (See Figure 46)

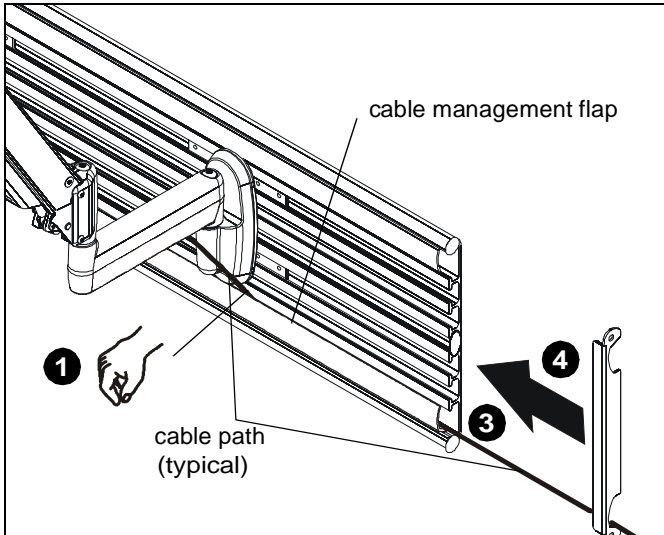


Figure 46

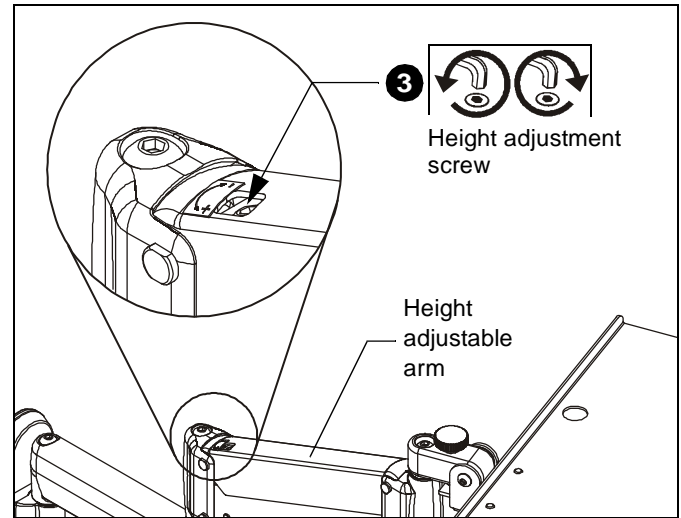


Figure 48

KEYBOARD TRAY ADJUSTMENTS

Swing Arm Pivot/Swing Adjustment

1. Slightly loosen or tighten the adjustment screw(s) as necessary, using the 3/16" hex key (Z). (See Figure 47)

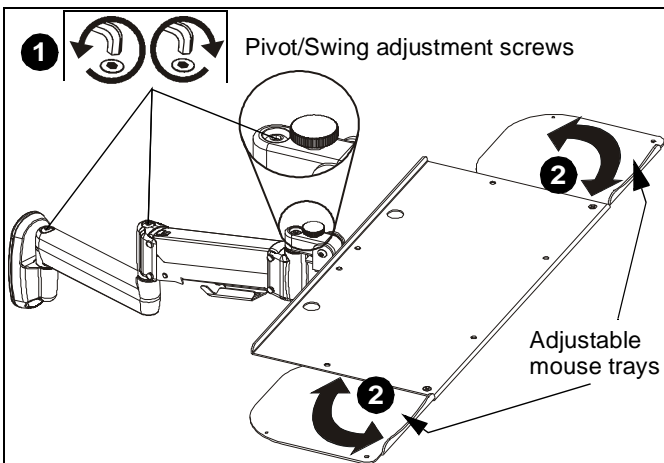


Figure 47

Mouse Tray Adjustment

2. Mouse trays slide open and closed on both sides of the tray for use by both right- and left-handed users. (See Figure 47)

Height Adjustment

3. Slightly loosen or tighten the height adjustment screw as necessary, using the 5/32" hex key (AA). (See Figure 48)
 - If keyboard tray lowers on its own, rotate adjustment screw counterclockwise (towards the "+" symbol).
 - If keyboard tray rises on its own, rotate adjustment screw clockwise (towards the "-" symbol).

NOTE: It may be necessary to raise or lower the height adjustable arm to expose the adjustment screw.

4. Adjust tray tension using a 7/16" wrench and a 5/32" (AA) hex key. (See Figure 49)

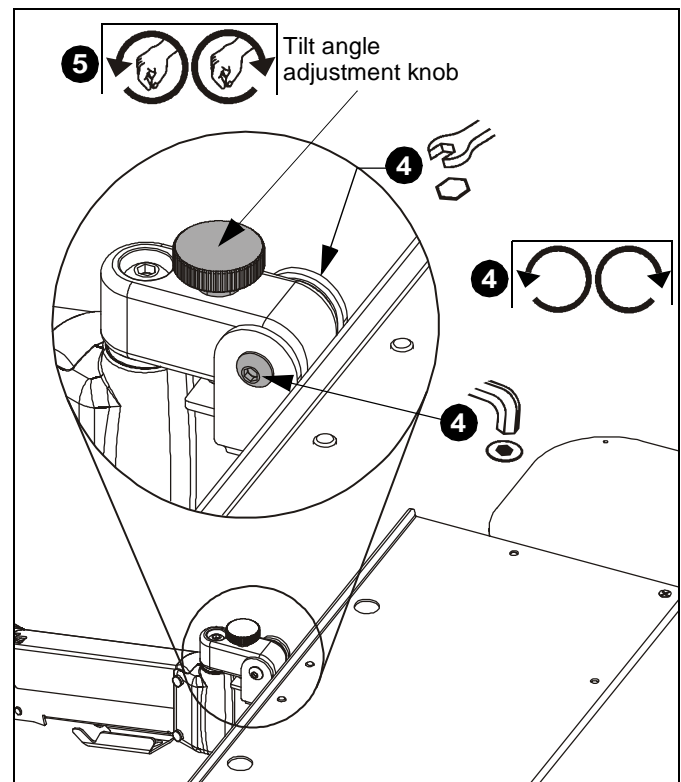


Figure 49

5. Adjust the tilt angle adjustment knob as necessary to set tilt angle of keyboard tray. (See Figure 49)

Display Installation

The mounting holes on the back of your display will either be *flush with* the back surface, or *recessed into* the back surface. Refer to the applicable installation procedure.

Flush Mount Display



WARNING: IMPROPER INSTALLATION CAN LEAD TO EQUIPMENT FALLING CAUSING SERIOUS PERSONAL INJURY OR DAMAGE TO EQUIPMENT! Using screws of improper size may damage your display! Proper screws will easily and completely thread into display mounting holes.



WARNING: IMPROPER INSTALLATION CAN LEAD TO EQUIPMENT FALLING CAUSING SERIOUS PERSONAL INJURY OR DAMAGE TO EQUIPMENT! Inadequate thread engagement in display may cause display to fall! Back out screws ONLY as necessary to allow installation of Centris bracket!

1. Ensure Centris bracket is able to swivel and tilt easily, yet still be tight enough to hold display in desired position. Adjust as required before proceeding. See "ADJUSTMENTS" for detail.
2. Using Phillips screwdriver, carefully install two M4 x 12 Phillips pan machine screws (S) into the *upper* mounting holes on the display. Thread screws completely into display, then back out 3 complete turns. (See Figure 50)
3. Pick up and align display so that screws (S) (installed on the back of the display in the previous step) fit into the mounting holes on the Centris bracket; rotate the bracket as required (See Figure 50). Lower the display into place.

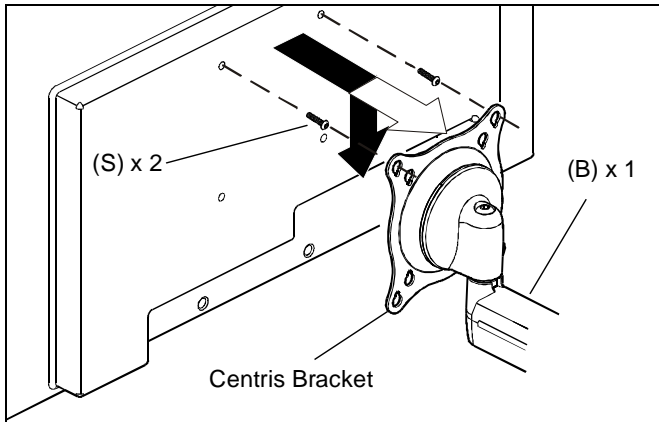


Figure 50

4. Using Phillips screwdriver, install two remaining M4 x 12 screws (S) through the *lower* mounting holes in Centris bracket and into display.
5. Tighten all four screws (S). Do not overtighten!
6. Proceed to "CABLE MANAGEMENT."

RECESSED MOUNTING HOLES

1. Ensure Centris bracket is able to swivel and tilt easily, yet still be tight enough to hold display in desired position. Adjust as required before proceeding. See "ADJUSTMENT" for detail.
2. Carefully place display face down on protective surface.
3. Determine depth of recessed mounting holes relative to back surface of display (against which Centris head will contact). (See Figure 51)
4. Select proper length spacer and screw. (See Figure 51)

NOTE: All spacers used should be the same length. If the recess depths result in multiple spacer lengths, then select the longer spacer.

5. Place the four selected spacers over each of the mount holes on the back of the display.
6. Pick up and orient the mount (B) so that the mounting holes in the Centris bracket are aligned with the holes in the spacers; rotate the bracket as required. (See Figure 51)

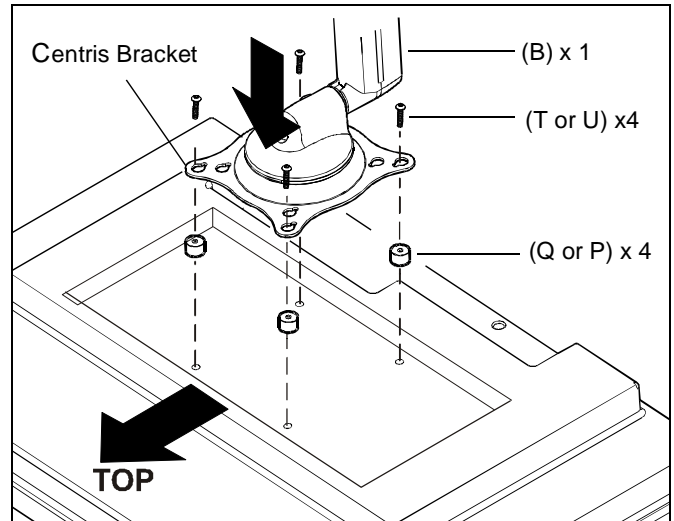


Figure 51



WARNING: IMPROPER INSTALLATION CAN LEAD TO EQUIPMENT FALLING CAUSING SERIOUS PERSONAL INJURY OR DAMAGE TO EQUIPMENT! Using screws of improper size may damage your display! Proper screws will easily and completely thread into display mounting holes.

7. Using Phillips screwdriver, install four M4 x 20 (T) or M4 x 30 (U) Phillips pan machine screws through the mounting holes in Centris bracket, through the spacers (Q or P), and into the display. (See Figure 51)
8. Tighten all four screws. Do not overtighten!

Cable Management - Display Mount

1. Open the cable management bracket by sliding it towards the edge of the arm. (See Figure 52)

NOTE: If necessary, cable management bracket attach screws may be loosened using 3/16" hex key (Z).

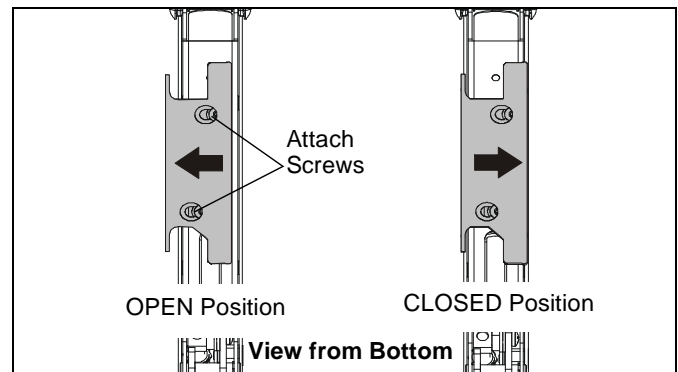


Figure 52



CAUTION: Ensure that adequate cable slack exists for movement of keyboard and mouse, and that cables will not be pinched when bracket is closed.

- Carefully insert cables into bracket. (See Figure 53)

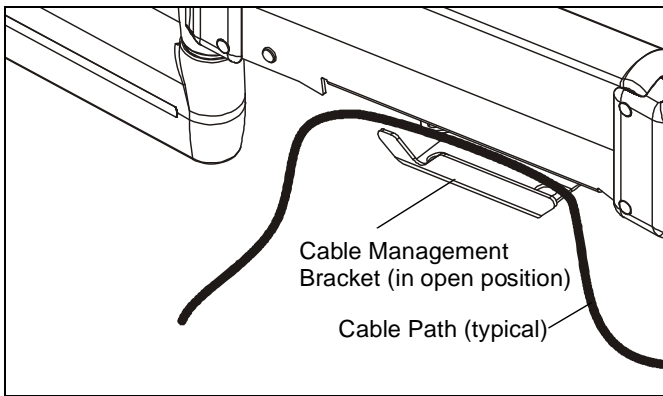


Figure 53

- Close cable management bracket by sliding it back towards the centerline of the arm.

NOTE: If necessary, cable management bracket attach screws may be tightened using 3/16" hex key (Z).

- Carefully insert cables in cavity located in lower portion of mount arm. (See Figure 54)
- Using Phillips screwdriver, install cover (L) with two #8-32 x 3/8" Phillips flat screws (W). (See Figure 54)

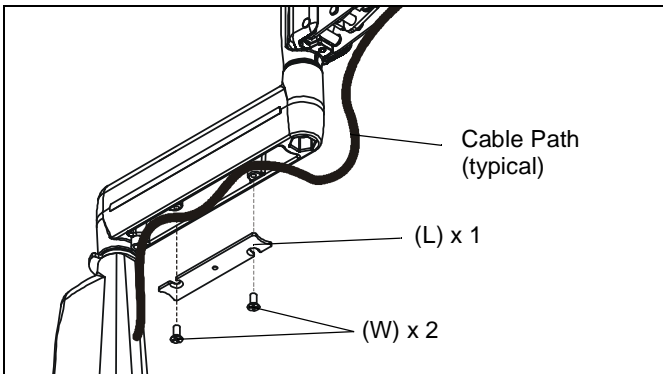


Figure 54

- Tuck cable inside cable management flap. (See Figure 55)
- Remove side cover to wall track accessory.
- Pull cable through cable management flap until cable outlet plug extends outside the wall track accessory. (See Figure 55)
- Reinstall side cover making sure the cable runs through the cable hole. (See Figure 55)

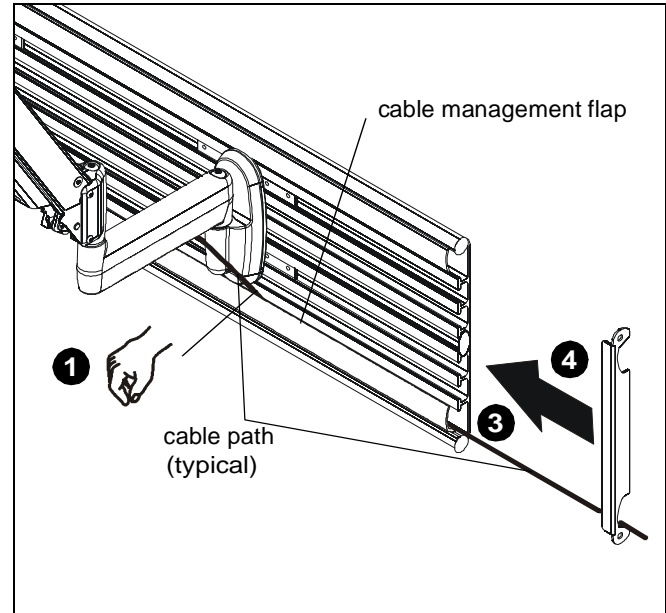


Figure 55

Display Mount Adjustments

Swing Arm

PIVOT / SWING

- Using 3/16" hex key (Z), slightly loosen or tighten the adjustment screw(s) as necessary. (See Figure 56)

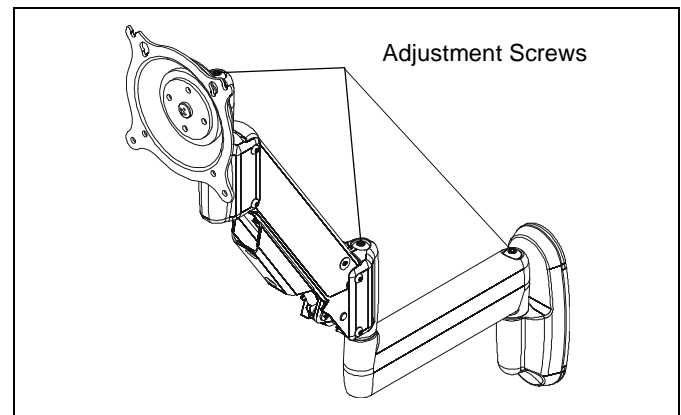


Figure 56

Height Adjustable

- Using 5/32" hex key, slightly loosen or tighten the adjustment screw as necessary. (See Figure 57)
 - If display settles on its own, then rotate adjustment screw counterclockwise (towards the "+" symbol).
 - If display rises on its own, then rotate adjustment screw clockwise (towards the "-" symbol).

NOTE: It may be necessary to raise or lower the height adjustable arm to expose the adjustment screw.

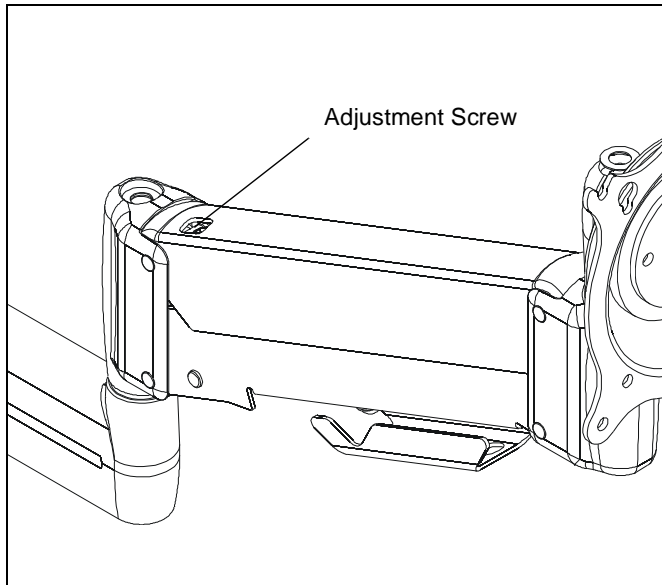


Figure 57

Centris Head

1. If previously attached, disconnect cables from display, then remove display.
2. Using Phillips screwdriver, slightly loosen or tighten the adjustment screw as necessary. (See Figure 58)

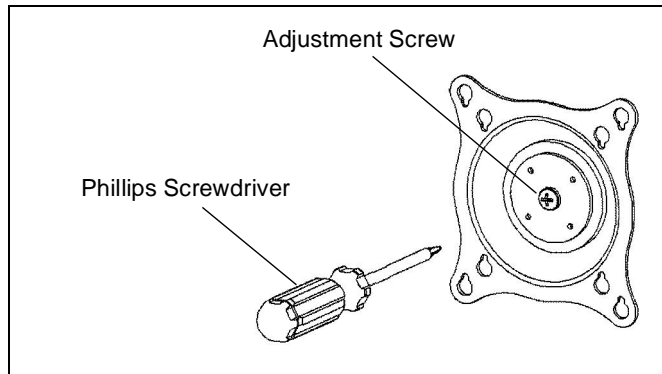


Figure 58



Our Mounts. **Your Vision.**

Chief, a products division of
Milestone AV Technologies

8800-002193 Rev02
©2017 Milestone AV Technologies
www.milestone.com
11/17

| | |
|--------------------------|--|
| USA/International | A 6436 City West Parkway, Eden Prairie, MN 55344 P 800.582.6480 / 952.225.6000 F 877.894.6918 / 952.894.6918 |
| Europe | A Franklinstraat 14, 6003 DK Weert, Netherlands P +31 (0) 495 580 852 F +31 (0) 495 580 845 |
| Asia Pacific | A Office No. 918 on 9/F, Shatin Galleria 18-24 Shan Mei Street Fotan, Shatin, Hong Kong P 852 2145 4099 F 852 2145 4477 |

