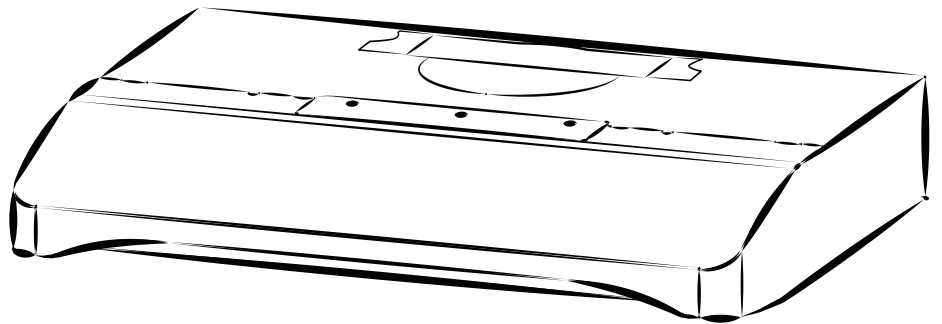


*Elite*  
®  
**BROAN**

# RANGE HOOD

Series: ALT3

INSTALLATION, USE  
AND CARE MANUAL



Serial number:

<b>Safety</b> .....	<b>3-4</b>
<b>Operation</b> .....	<b>5-6</b>
<b>Cleaning and Maintenance</b> .....	<b>7</b>
Motors	
Grease Filters	
Non-Ducted Recirculation Filters	
Fan Wheels	
Stainless Steel Cleaning	
<b>Installation</b> .....	<b>8-20</b>
Recommended Tools	
and Accessories for Installation .....	8
Install Ductwork (Ducted Installations Only) ...	8
Contents .....	9
Prepare the Hood .....	10-12
Prepare the Hood Location .....	13
EZ1 Person Installation .....	13-15
Install the Hood (EZ1 Bracket) .....	16-17
Standard Installation .....	18
Install the Hood (Standard Installation) .....	19
Connect the Wiring .....	20
Install the Filters .....	20
<b>Wiring Diagram</b> .....	<b>21</b>
<b>Service Parts</b> .....	<b>22</b>
<b>Warranty</b> .....	<b>23</b>

## READ AND SAVE THESE INSTRUCTIONS

**⚠ Intended for domestic cooking only ⚠**

**INSTALLER: LEAVE THIS MANUAL WITH HOMEOWNER.**

In U.S.A., register your range hood online at [www.broan.com](http://www.broan.com).

In Canada, register your range hood online at [www.broan.ca](http://www.broan.ca).

### **⚠ WARNING**



#### **TO REDUCE THE RISK OF FIRE, ELECTRIC SHOCK, OR INJURY TO PERSONS, OBSERVE THE FOLLOWING:**

- Use this unit only in the manner intended by the manufacturer. If you have questions, contact the manufacturer at the address or telephone number listed in the warranty.
- Before servicing or cleaning unit, switch power off at service panel and lock the service disconnecting means to prevent power from being switched on accidentally. When the service disconnecting means cannot be locked, securely fasten a prominent warning device, such as a tag, to the service panel.
- Installation work and electrical wiring must be done by a qualified person(s) in accordance with all applicable codes and standards, including fire-rated construction.
- Sufficient air is needed for proper combustion and exhausting of gases through the flue (chimney) of fuel burning equipment to prevent backdrafting. Follow the heating equipment manufacturer's guidelines and safety standards such as those published by the National Fire Protection Association (NFPA) and the American Society for Heating, Refrigeration and Air Conditioning Engineers (ASHRAE) and the local code authorities.
- When cutting or drilling into wall or ceiling, do not damage electrical wiring and other hidden utilities.
- Ducted fans must always be vented to the outdoors.
- Do not use this unit with any additional solid-state speed control device.
- To reduce the risk of fire, use only metal ductwork.
- This unit must be grounded.
- As an alternative, this product may be installed with the UL-approved cord kit designated for the product, following instructions packed with the cord kit.
- When applicable local regulations comprise more restrictive installation and/or certification requirements, the aforementioned requirements prevail on those of this document and the installer agrees to conform to these at his own expense.

**! WARNING****TO REDUCE THE RISK OF A RANGE TOP GREASE FIRE:**

- a) Never leave surface units unattended at high settings. Boilovers cause smoking and greasy spillovers that may ignite. Heat oils slowly on low or medium settings.
- b) Always turn hood ON when cooking at high heat or when flambing food (i.e.: Crêpes Suzette, Cherries Jubilee, Peppercorn Beef Flambé).
- c) Clean ventilating fan frequently. Grease should not be allowed to accumulate on fan, filters or in exhaust ducts.
- d) Use proper pan size. Always use cookware appropriate for the size of the surface element.

**TO REDUCE THE RISK OF INJURY TO PERSONS IN THE EVENT OF A RANGE TOP GREASE FIRE, OBSERVE THE FOLLOWING\*:**

1. SMOTHER FLAMES with a close-fitting lid, cookie sheet or metal tray, then turn off the burner. BE CAREFUL TO PREVENT BURNS. IF THE FLAMES DO NOT GO OUT IMMEDIATELY, EVACUATE AND CALL THE FIRE DEPARTMENT.
2. NEVER PICK UP A FLAMING PAN — You may be burned.
3. DO NOT USE WATER, including wet dishcloths or towels — This could cause a violent steam explosion.
4. Use an extinguisher ONLY if:
  - A. You own a Class ABC extinguisher and you know how to operate it.
  - B. The fire is small and contained in the area where it started.
  - C. The fire department has been called.
  - D. You can fight the fire with your back to an exit.

\* Based on "Kitchen Fire Safety Tips" published by NFPA.

**! CAUTION**

- For indoor use only.
- For general ventilating use only. Do not use to exhaust hazardous or explosive materials and vapors.
- To avoid motor bearing damage and noisy and/or unbalanced fan blade, keep drywall spray, construction dust, etc. off range hood.
- Your hood motor has a thermal overload which will automatically shut off the motor if it becomes overheated. The motor will restart when it cools down. If the motor continues to shut off and restart, have the hood serviced.
- For best capture of cooking fumes, the bottom of the hood MUST NOT BE LESS than 18" and at a maximum of 30" above the cooking surface.
- Always follow the cooking equipment manufacturer's requirements regarding the ventilation needs.
- To reduce the risk of fire and to properly exhaust air, be sure to duct air outside — Do not exhaust air into spaces within walls or ceiling or into attics, crawl space or garage.
- When installing, servicing or cleaning the unit, it is recommended to wear safety glasses and gloves.
- Please read specification label on product for further information and requirements.

## Operation

Always turn your hood on before you begin cooking to establish an air flow in the kitchen.

Let the blower run for a few minutes to clear the air after you turn off the range. This will help keep the whole kitchen cleaner and fresher.

This hood is equipped with infrared sensing controls. To activate it, simply touch the sensor corresponding to the desired function and/or intensity. At the touch of the sensor, a beep is emitted to acknowledge the command.



### **MASTER ON/OFF**

Touch this sensor to turn ON the lights and blower at the last saved blower and/or lighting level. When the blower and/or lights are ON, touching this sensor will store the last-used blower speed and light intensity and turn the unit off.

### **BLOWER**

#### **ACTIVATION/SPEED CHANGE**

When blower is OFF, touch the sensor corresponding to the desired blower speed. The sensor will illuminate and the blower will activate.

When the blower is ON, touch the sensor corresponding to the active blower speed to turn the blower OFF and memorize the blower speed.

NOTE: When LOW speed is activated from OFF, the blower starts on MEDIUM speed for a very short moment, and then resumes to LOW speed.

### **DELAY OFF**

To activate the Delay OFF function, while the blower is ON, touch and hold for 3 seconds the illuminated sensor corresponding to the active blower speed. A beep will be emitted at the first touch, and again at the end of the 3-second hold. The blower will continue to operate for 10 minutes at this setting. During this time, the sensor corresponding to the active blower speed will blink to indicate that the Delay OFF function was activated.

When the Delay OFF function is activated, the blower speed can be changed by touching the sensor corresponding to the desired blower speed without affecting the remaining time of the delay. To cancel the Delay OFF function before the end of the 10-minute cycle, touch and hold for 3 seconds the sensor corresponding to the active blower speed, or simply touch the Master ON/OFF sensor.

### **HEAT SENTRY™**

This hood is equipped with a protective device that changes the blower speed when an abnormally high heat level is detected while the blower is activated. When the Heat Sentry is activated, it sets the blower on MEDIUM speed while all the blower sensors blink. The lighting can still be controlled, but the blower will remain on MEDIUM speed until the heat level is normal. The blower will then return to the speed previously selected.

NOTE: When excessive heat is detected, Heat Sentry will shut off both the blower and lights while all the blower sensors will blink faster. Both the blowers and lights will remain OFF until the temperature cools down; the blower will then start on MEDIUM speed and the lights can be controlled again. The blower will remain on MEDIUM speed until the heat level is normal. The blower will then return to the speed previously selected.

 **LIGHTING/LIGHT INTENSITY CHANGE**

To turn the lighting ON, touch the sensor corresponding to the desired lighting intensity and the sensor will illuminate.

When the lighting is ON, touch the sensor corresponding to the active light intensity to turn the lighting OFF and memorize the intensity.

The LED modules included with this hood are the latest in LED cooktop illumination technology specially designed to operate in the elevated temperatures of cooking - offering bright lighting and lasting up to 25 times as long as a standard bulb and greater reliability than typical replacement LED bulbs.

 **FILTER CLEANING REMINDER**

When it is time to clean the filters, the Filter Cleaning Reminder sensor will blink for 30 seconds after the blower is turned off.

To reset the Filter Cleaning Reminder, touch and hold for 3 seconds this sensor while it is blinking.

**ADDITIONAL INFORMATION**

This control is light-sensitive; pointing directional spot lights towards it may cause it to malfunction. In rare circumstances, the control could falsely be activated by an external light source.

**OPTIONAL REMOTE CONTROL**

For more convenience, the ALT3 Series range hood can also be controlled using the HCR3 remote control (purchase separately). For more details, see instructions included with the HCR3 remote control.

## Cleaning and Maintenance

Proper maintenance of the Range Hood will assure proper performance of the unit.

### MOTORS

The motors are permanently lubricated and never need oiling. If the motor bearings make excessive or unusual noise, replace the motor with the exact service motor. The fan wheel should also be replaced.

### GREASE FILTERS

The grease filters should be cleaned frequently. Use a warm dishwashing detergent solution. Grease filters are dishwasher safe. Clean all-metal filters in the dishwasher using a non-phosphate detergent. Discoloration of the filters may occur if using phosphate detergents, or as a result of local water conditions - but this will not affect filter performance. This discoloration is not covered by the warranty. To minimize or prevent discoloration, hand wash filters using a mild detergent.

### NON-DUCTED RECIRCULATION FILTERS

The non-ducted recirculation filters should be changed every 3 to 6 months. Replace more often if your cooking style generates extra grease, such as frying and wok cooking. Refer to installation instructions included with non-ducted recirculation filters.

### FAN WHEELS

The center of the fan wheels should be cleaned frequently. Use a clean cloth soaked with warm detergent solution.

### STAINLESS STEEL CLEANING

#### Do:

- Regularly wash with clean cloth or rag soaked with warm water and mild soap or liquid dish detergent.
- Always clean in the direction of original polish lines.
- Always rinse well with clear water (2 or 3 times) after cleaning. Wipe dry completely.
- You may also use a specialized household stainless steel cleaner.

#### Don't:

- Use any steel or stainless steel wool or any other scrapers to remove stubborn dirt.
- Use any harsh or abrasive cleansers.
- Allow dirt to accumulate.
- Let plaster dust or any other construction residues reach the hood. During construction/renovation, cover the range hood to make sure no dust sticks to the stainless steel surface.

#### Avoid when choosing a detergent:

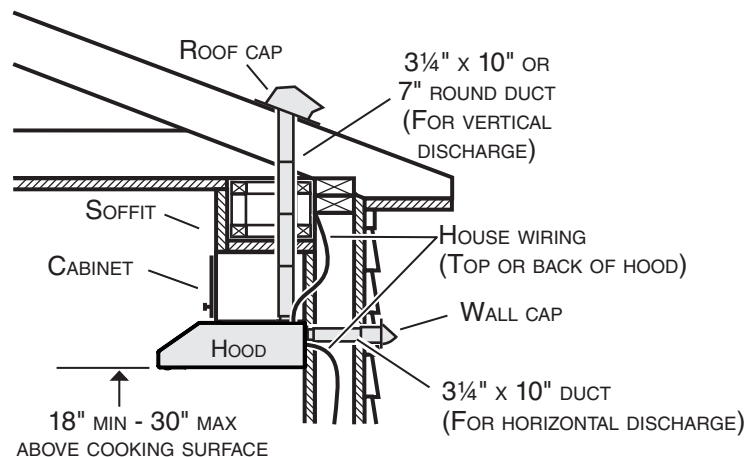
- Any cleaners that contain **bleach** will attack stainless steel.
- Any products containing: **chloride, fluoride, iodide, bromide** will deteriorate surfaces rapidly.
- Any combustible products used for cleaning such as **acetone, alcohol, ether, benzol**, etc., are highly explosive and should never be used close to a range.

For ADA compliance installation guidelines, please visit [www.broan.com](http://www.broan.com)

## Recommended Tools and Accessories for Installation

- Measuring tape
- Phillips screwdriver no. 2
- Nutdriver or socket 11/32"
- Flat blade screwdriver (to open knockout holes)
- Drill, 1/8" drill bit and 1 1/2" hole saw (to mark holes for ducting and cut electrical access hole)
- 7/64" drill bit (to drill holes for EZ1 brackets mounting screws)
- Wood shims (2) and wood screws (4) (required for standard installation to framed cabinet)
- Saw (to cut holes for ducted application)
- Sheet metal shears (ducted installation only, for duct adjustment)
- Pliers (ducted installation only, for duct adjustment)
- Metal foil duct tape (for ducted applications)
- Scissors (to cut metal foil duct tape)
- Pencil
- Wire stripper
- Strain relief, 1/2" diameter (to secure house wiring cable to the hood)

## Install Ductwork (Ducted Installations Only)



NOTE: Distances over 30" are at the installer and user discretion.

- 1 ] Determine whether hood will discharge vertically (3 1/4" x 10" or 7" round), or horizontally (3 1/4" x 10" only).
- 2 ] Decide where the ductwork will run between the hood and the outdoors.
- 3 ] Choose a straight, short duct run to allow the hood to perform most efficiently. Long duct runs, elbows and transitions will reduce the performance of the hood. Use as few of them as possible. When possible, use at least 2 foot straight runs before any turns. Larger ductwork may be required for best performance with longer duct runs.

NOTE: To use 6" round ducting, install a 3 1/4" x 10" to 6" round transition (not included). The performances may be affected.

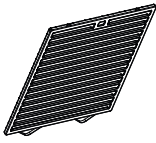
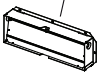
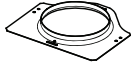
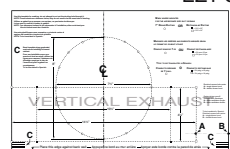

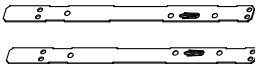



- 4 ] Install wall cap or roof cap (sold separately); ensure there is no leak in house insulation. Connect metal ductwork to cap and work back towards the hood location. Use 2" metal foil duct tape to seal the joints between ductwork sections.



## Contents

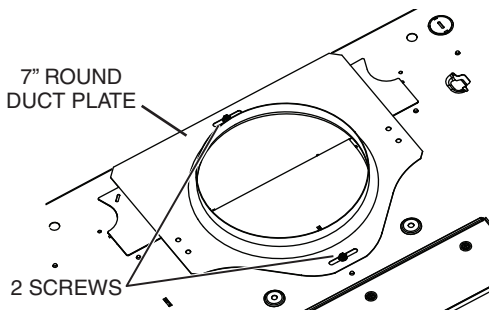
Before proceeding to the installation, check the contents of the box. If items are missing or damaged, contact the manufacturer.

Make sure that the following items are included:

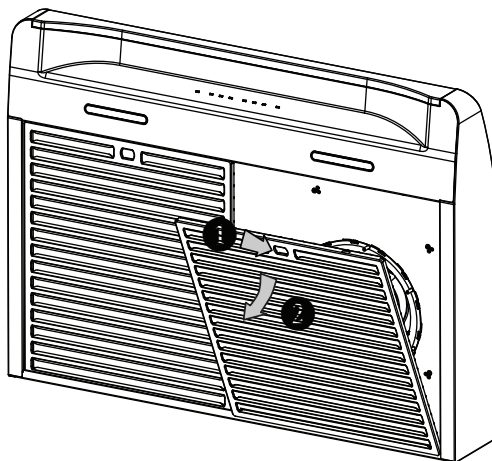
	* FIND INSIDE ONE PACKAGING STYROFOAM OF HOOD		
(2) GREASE FILTERS		(1) 3 1/4" x 10" DAMPER ASSEMBLY*	(1) 7" ROUND DUCT CONNECTOR
<b>EZ1 COMPONENTS</b>			
	(1) TEMPLATE FOR DUCTING (PRINTED BOTH SIDES)		
	(2) INSTALLATION BRACKETS** FOR FRAMED CABINET		
	(2) INSTALLATION BRACKETS** FOR FRAMELESS CABINET		
** FIND EZ1 BRACKETS ATTACHED INSIDE OF HOOD			
(1) PARTS BAG*** CONTAINING:			
	(4) No. 8-18 x 1/2" METAL SCREWS		
	(6) No. 8 x 5/8" RD. HD. WOOD SCREWS		(6) No. 8 x 1/2" COUNTERSUNK WOOD SCREWS
*** FIND PARTS BAG INSIDE OF HOOD			

## Prepare the Hood

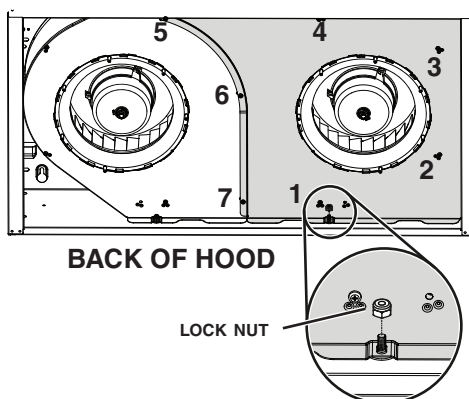
- 1 ] If present, remove all protective polyfilm from the hood and/or parts.
- 2 ] Remove 7" Round Duct Plate from top/back of hood (see illustration below). Keep the screws for further use.



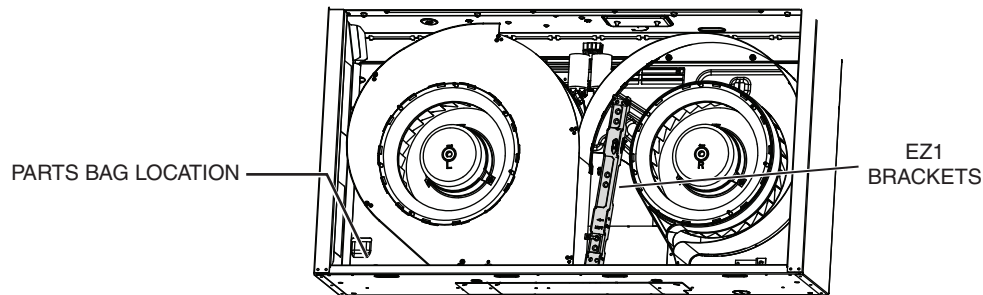
- 3 ] Using the finger cup, remove the grease filters from the hood by pushing down ❶ and tilting filters out ❷.



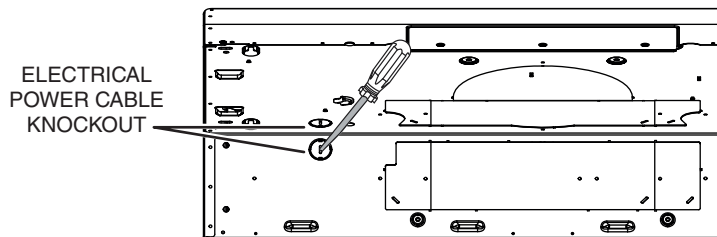
- 4 ] Using a 11/32" nutdriver or socket, remove the lock nut retaining the flange of the right cover plate (shaded part on illustration below) to the inner back of hood (see inset). Remove the right cover plate retaining screws (7 screws), then set the blower cover along with its screws and nut aside.



- 5 ] Remove the parts bag, taped on the inner back of hood, near the left corner. Remove the EZ1 brackets from inside the hood by cutting off the tie wrap. Discard the tie wrap.

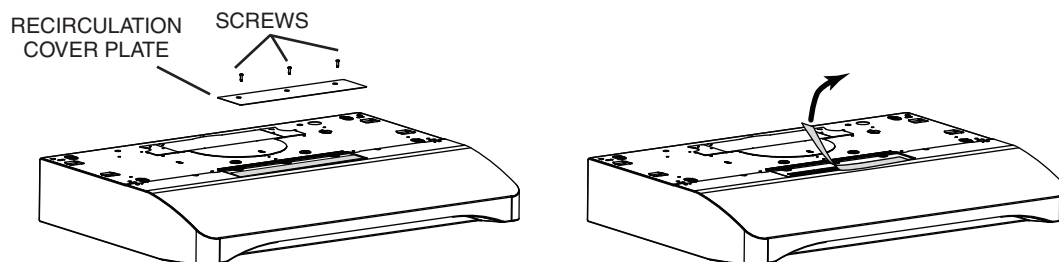


- 6 ] Remove Electrical Power Cable Knockout from top (vertical exhaust) or back (horizontal exhaust) of hood. For knockout removed from back of hood, install an appropriate strain relief, 1/2" diameter (not included). For knockout removed from top of hood, the strain relief will be installed later.



## NON-DUCTED INSTALLATION ONLY

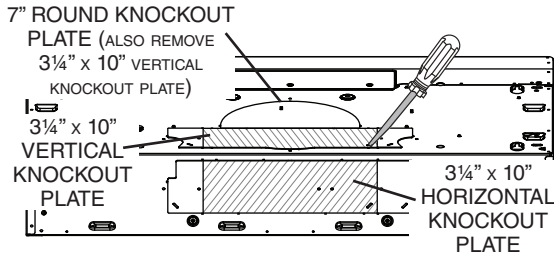
- 7 ] Remove 3 screws retaining the recirculation cover plate to the hood. Discard this plate with its screws. Peel off and discard the membrane covering the recirculation grille, ensuring the openings are totally cleared.



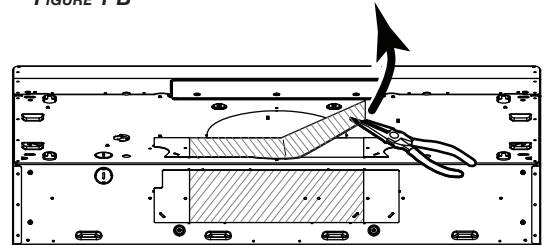
**DUCTED INSTALLATION ONLY**

**8 ]** Remove 3¼" x 10" vertical, 3¼" x 10" horizontal (both are the rectangular **central** knockout plates, see hatched areas) or 7-inch round knockout plate as appropriate for your ducting method (see **FIGURES 1 A** and **1 B**).

**FIGURE 1 A**

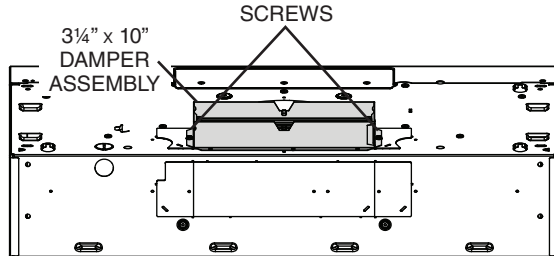


**FIGURE 1 B**

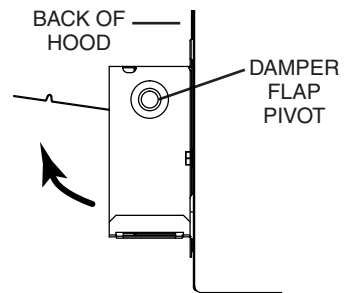
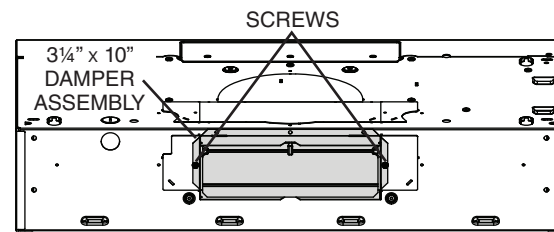
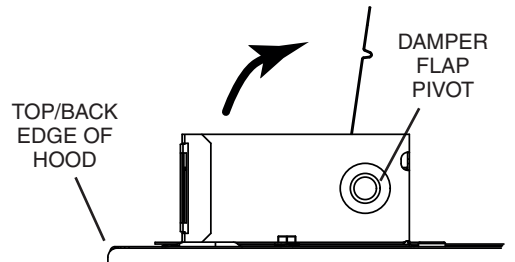


**9 ]** Attach 3¼" x 10" Damper Assembly on top OR back of hood (if using 3¼" x 10" duct; shaded part in **FIGURE 2 A** below) or 7" Round Duct Plate (if using 7-inch round duct, **FIGURE 3**) over the knockout opening. When installed, the 3¼" x 10" damper assembly must open as shown in **FIGURE 2 B**.

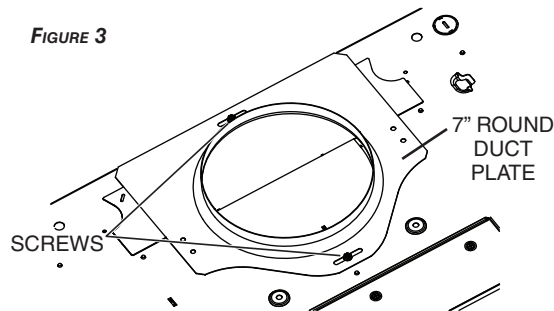
**FIGURE 2 A**



**FIGURE 2 B**



**FIGURE 3**



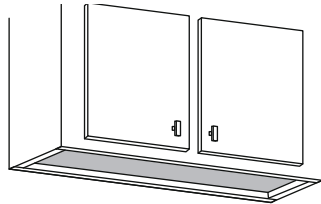
**NOTE:** To accommodate off-center ductwork, the 7" round duct plate can be installed up to 1/2" on either side of the hood center.

**TIP:** Insert a small length of duct over the 3¼" x 10" damper assembly (for rectangular ducting) or 7" round (for round ducting) and seal the joint using aluminum foil duct tape to ease connection with the house ductwork.

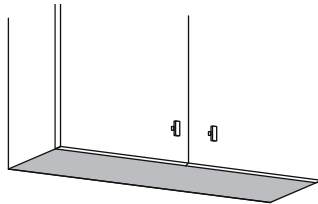
## Prepare the Hood Location

NOTE: Before starting installation, read all the steps of these instructions.  
Use the illustration below to identify your kitchen cabinet type.

**FRAMED CABINET**



**FRAMELESS CABINET**



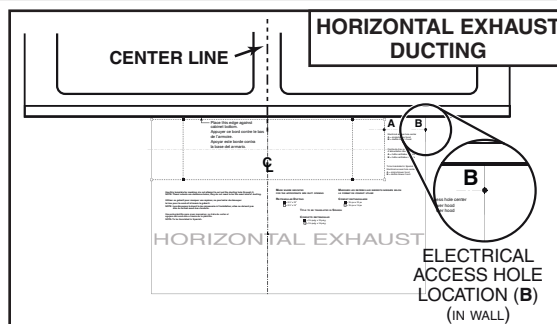
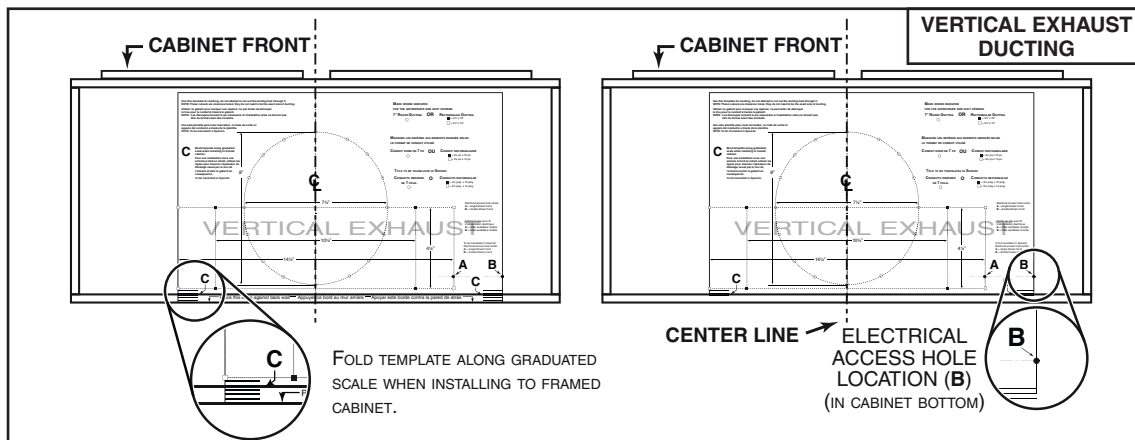
This manual covers 2 kinds of installation: the standard (without EZ1 brackets) and the EZ1 one-person installation system (using included template and brackets). For the standard installation, go to page 18.

### EZ1 one-person installation system

EZ1 installation is designed for use with kitchen cabinets that have the same width designation as the range hood width. If the cabinet is greater than 1/2" wider than the range hood width, please use the standard installation method.

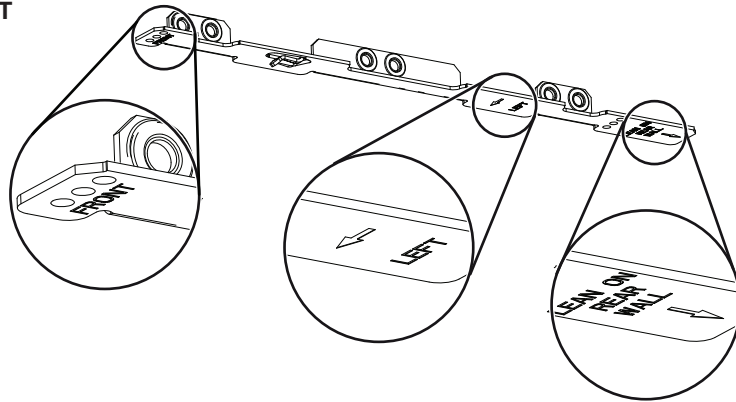
- 1 ] Use the proper template for vertical OR horizontal discharge (included) for placement of ductwork and electrical cutout in cabinet or wall. For a non-ducted installation, DO NOT cut a duct access hole, only cut the hole for electrical wiring. **If replacing a hood and plan to use the existing duct and electrical, steps 2 to 5 may not be necessary. If so, skip to step 6.**
- 2 ] Measure and mark the hood center line on cabinet bottom.
- 3 ] Align the center line on template with the hood center line marked on the bottom of the cabinet, placing the edge (where indicated) of the template against back wall. When using with framed cabinet for vertical exhaust installation, fold over rear edge of template equal to the depth of the cabinet frame at the wall (use graduations on template, **C** locations on template). Tape the template in place.

NOTE: When facing the installation, **A** and **B** (on template) must be at right.

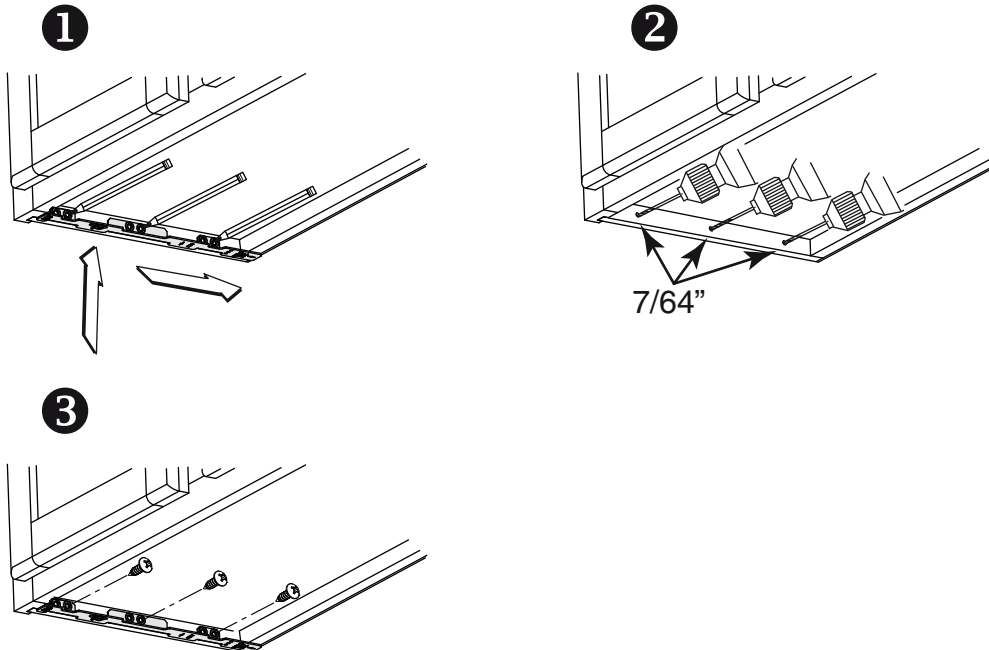


- 4 ] Drill a 1/8" dia. pilot hole for house wiring, at **B** location on template.
- 5 ] Use a sharp pencil or 1/8" drill bit to mark the locations for the appropriate duct access holes (16 locations for 7" round duct, or 4 corner locations for rectangular duct). Remove the template.
- 6 ] Draw the border for the exhaust ducting by linking its marks (16 for round duct and 4 for rectangular duct), then cut the opening in the cabinet bottom (vertical exhaust) or in the wall (horizontal exhaust). Drill the house wiring hole by using a 1½" hole saw centered with the pilot hole previously made in 4.
- 7 ] Install the proper installation brackets according to the type of cabinet (framed or frameless). See below.

**FRAMED CABINET**

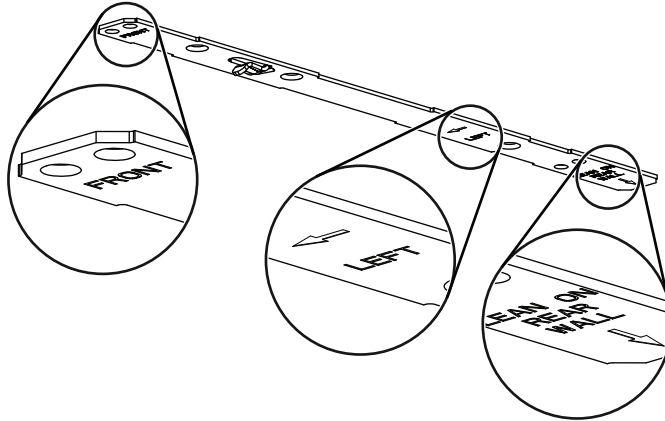


Refer to the marking on brackets to determine the correct installation side and orientation.

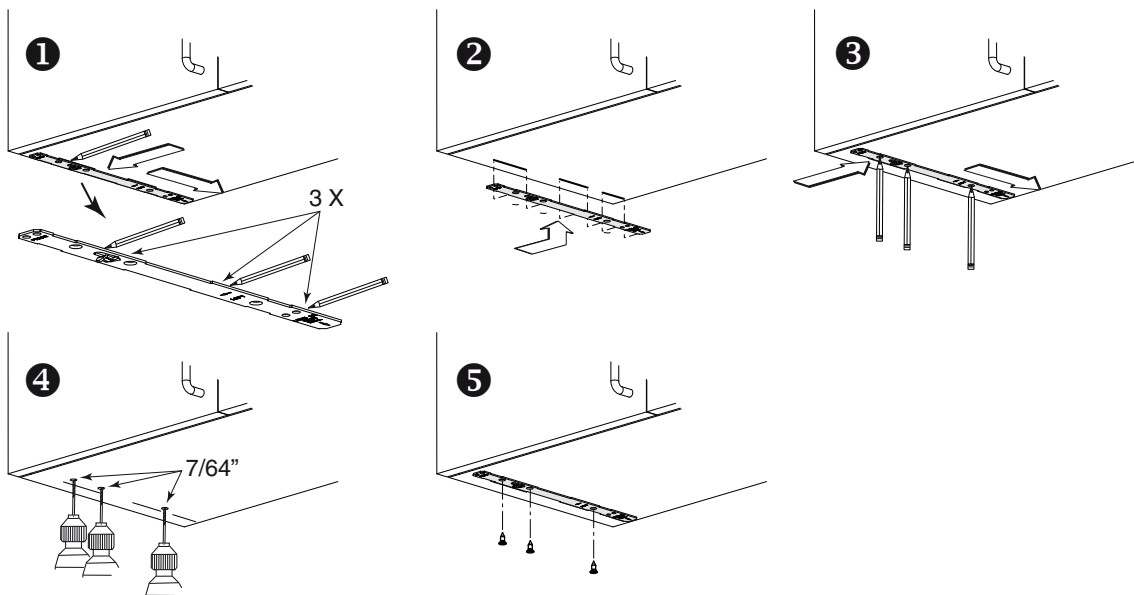


- 1 ] Mate the corresponding bracket to the cabinet side frame, while placing rear end of bracket against the wall. Use a pencil to mark 3 holes (there are 6 holes but only 3 are necessary).
- 2 ] Remove the bracket. Using a 7/64" drill bit, drill 3 holes where marked.
- 3 ] Assemble the bracket to the side frame using a Phillips screwdriver and 3 provided no. 8 x 5/8" wood screws. Repeat for the other side frame.

**FRAMELESS CABINET**



Refer to the marking on brackets to determine the correct installation side and orientation.

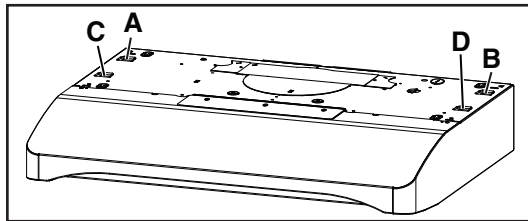


- 1** Align the corresponding bracket to the cabinet side, while placing rear end of bracket against the wall. Draw a line on the outer edge of the bracket (as shown).
- 2** Slide the bracket towards the center of cabinet and align outside edge of the bracket to marked line, keeping the rear end edge leaning on the wall.
- 3** Use a pencil to mark 3 holes.
- 4** Remove the bracket. Using a 7/64" drill bit, drill 3 holes where marked.
- 5** Assemble the bracket to the cabinet bottom using a Phillips screwdriver and 3 provided countersunk wood screws. Repeat for the other cabinet side.

## Install the Hood (EZ1 Bracket)

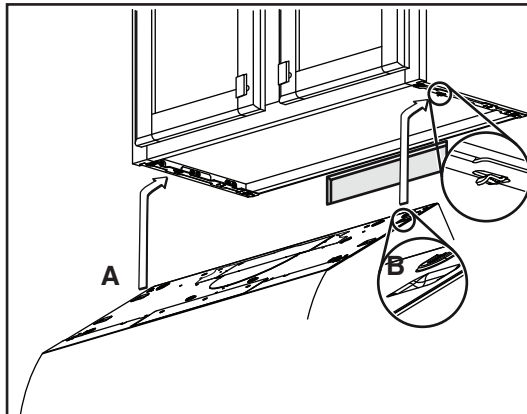
**NOTE:** The following procedure applies to both frame or frameless cabinet installations.

- 1 ] Run house power cable between service panel and hood location.
- 2 ] There are 2 pairs of recessed holes on each side of the top of the hood (on rear: **A** and **B**, on front **C** and **D** on illustration below); these holes allow the range hood to hang on the brackets (previously installed).



### HORIZONTAL EXHAUST INSTALLATION ONLY

- 3 ] Temporarily hang the hood on the brackets using its (2) recessed REAR HOLES (**A** and **B**). **While holding the hood**, run the house power cable into the hood through the strain relief previously installed in step 6 on page 11.



- 4 ] Unhook the rear holes from the brackets and hang the hood using its (2) recessed FRONT HOLES (**C** and **D**). **While holding the hood**, go to step 6.

### VERTICAL EXHAUST INSTALLATION AND NON-DUCTED INSTALLATION ONLY

- 5 ] Hang the hood on the brackets using the (2) recessed FRONT HOLES (**C** and **D**). **While holding the hood**, tighten an appropriate strain relief, 1/2" diameter (not included) to the power cable, then insert the strain relief in the knockout hole.

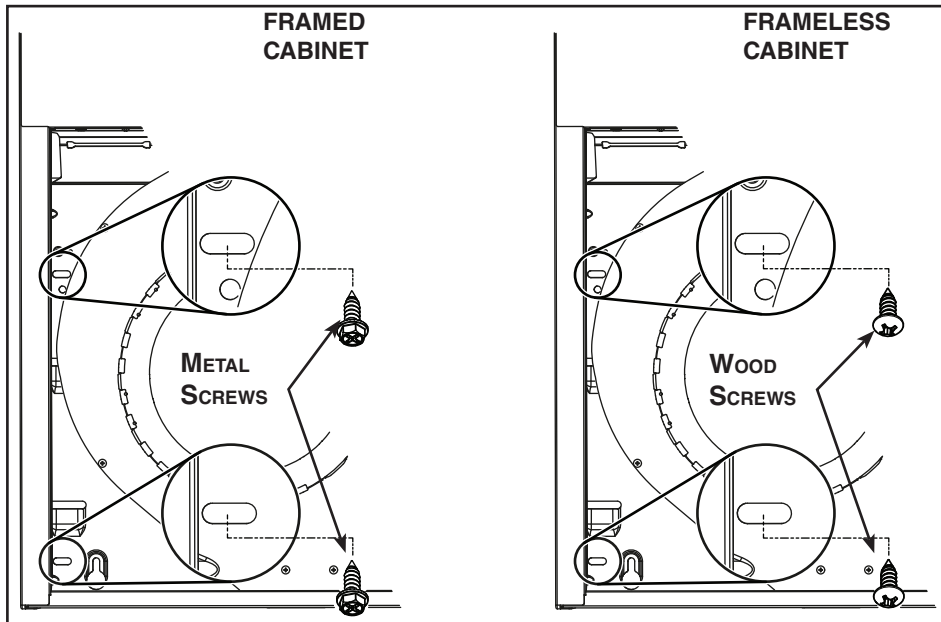
### DUCTED INSTALLATION ONLY

- 6 ] Connect ductwork to hood and use metal foil duct tape to make joints secure and air-tight. Make sure the damper assembly (or round duct plate) enters the ductwork and that the damper opens and closes freely.

**NOTE:** See final installation steps on next page.



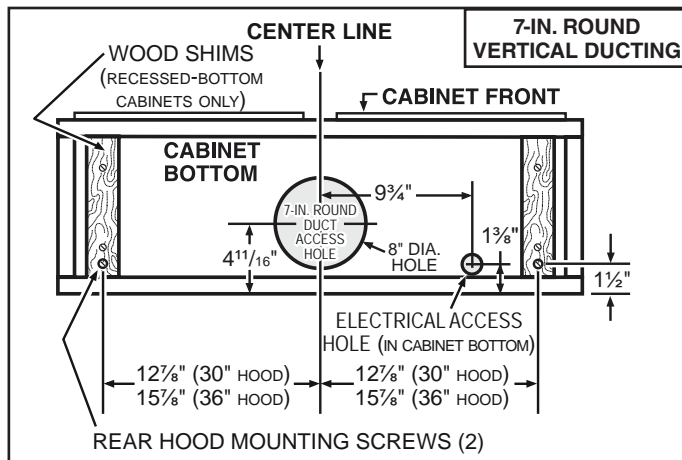
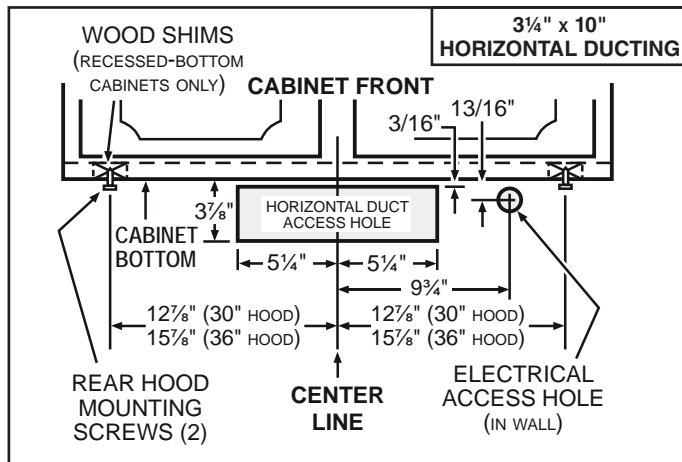
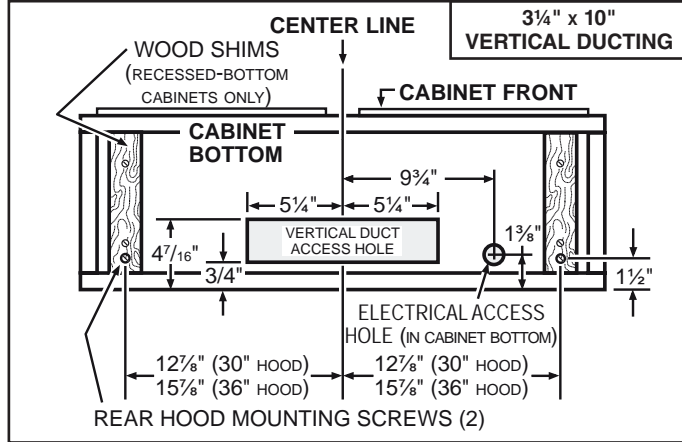
- 7 ] **For framed cabinet**, secure the hood to the EZ1 brackets using four (4) no. 8-18 x 1/2" metal screws (included in parts bag). Insert two (2) screws per side, in the slots (as shown in insets on illustration below).
- 8 ] **For frameless cabinet**, secure the hood to the cabinet using four (4) no. 8 x 5/8" round head wood screws (included in parts bag). Insert two (2) screws per side, in the slots (as shown in insets on illustration below).



- 9 ] Attach power cable to the hood using the strain relief.

**Standard Installation (without EZ1 brackets)**

- 1 ] Use the proper diagram below for placement of ductwork and electrical cutout in cabinet or wall. For a non-ducted installation, DO NOT cut a duct access hole, only cut the hole for electrical wiring.

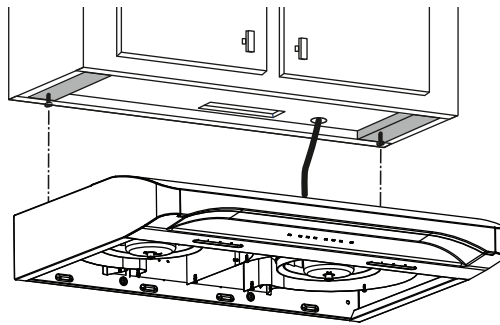


- 2 ] Install half-way two (2) ROUND HEAD no. 8 x 5/8" mounting screws into shims/cabinet, according to the proper diagram above, the other 2 ROUND HEAD no. 8 x 5/8" mounting screws will be used later. (Mounting screws are included in parts bag, but wood shims and shim mounting screws are not included.)

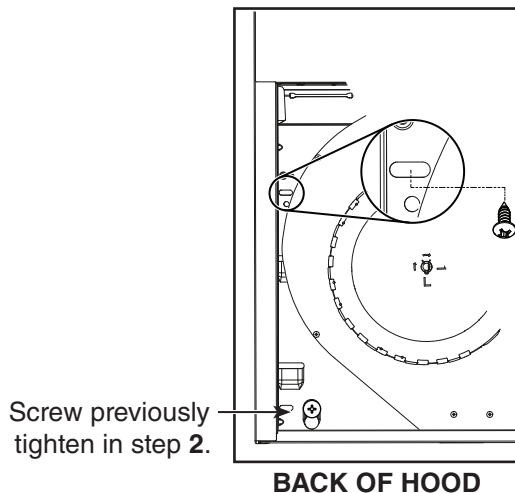
## Install the Hood (Standard Installation)

**NOTE:** Two installers are recommended because of the weight of this hood.

- 1 ] Run house power cable between service panel and hood location. For hood with power cable access located on back of hood, run the house power cable into the hood through the strain relief previously installed in step 6 on page 11. For hood with power cable access located on top, tighten the strain relief to the power cable before inserting the strain relief in the knockout hole.
- 2 ] Hang hood from (2) rear mounting screws previously installed. Slide hood back towards wall until mounting screw heads are engaged in narrow end of keyhole slots in top of hood. Tighten screws securely and maintain a hold on the hood until completing step 3.



- 3 ] Secure the hood to the cabinet using two (2) no. 8 x 5/8" round head wood screws (included in parts bag). Insert one (1) screw per side, in the slots (as shown below). Attach power cable to the hood using the strain relief.



### DUCTED INSTALLATION ONLY

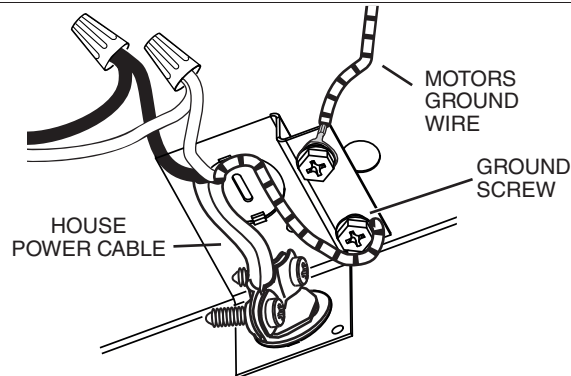
- 4 ] Connect ductwork to hood and use metal foil duct tape to make joints secure and airtight. Make sure the damper assembly (or round duct plate) enters the ductwork and that the damper opens and closes freely.

## Connect the Wiring

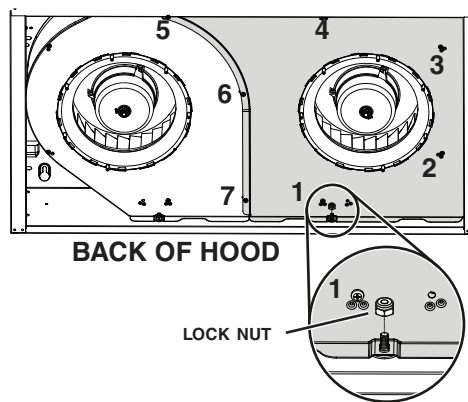
### **WARNING**



**Risk of electric shock. Electrical wiring must be done by qualified personnel in accordance with all applicable codes and standards. Before connecting wires, switch power off at service panel and lock service disconnecting means to prevent power from being switched on accidentally.**



- 1 ] Connect House Power Cable to range hood wiring: BLACK to BLACK, WHITE to WHITE and GREEN or bare wire under GREEN ground screw.



- 2 ] Reinstall the blower cover plate (shaded part on illustration above) using the lock nut and 7 screws previously removed in step 4 on page 10. Pay attention to screw 1 location; from back of hood point of view, it must be located on left side of the lock nut (see inset).

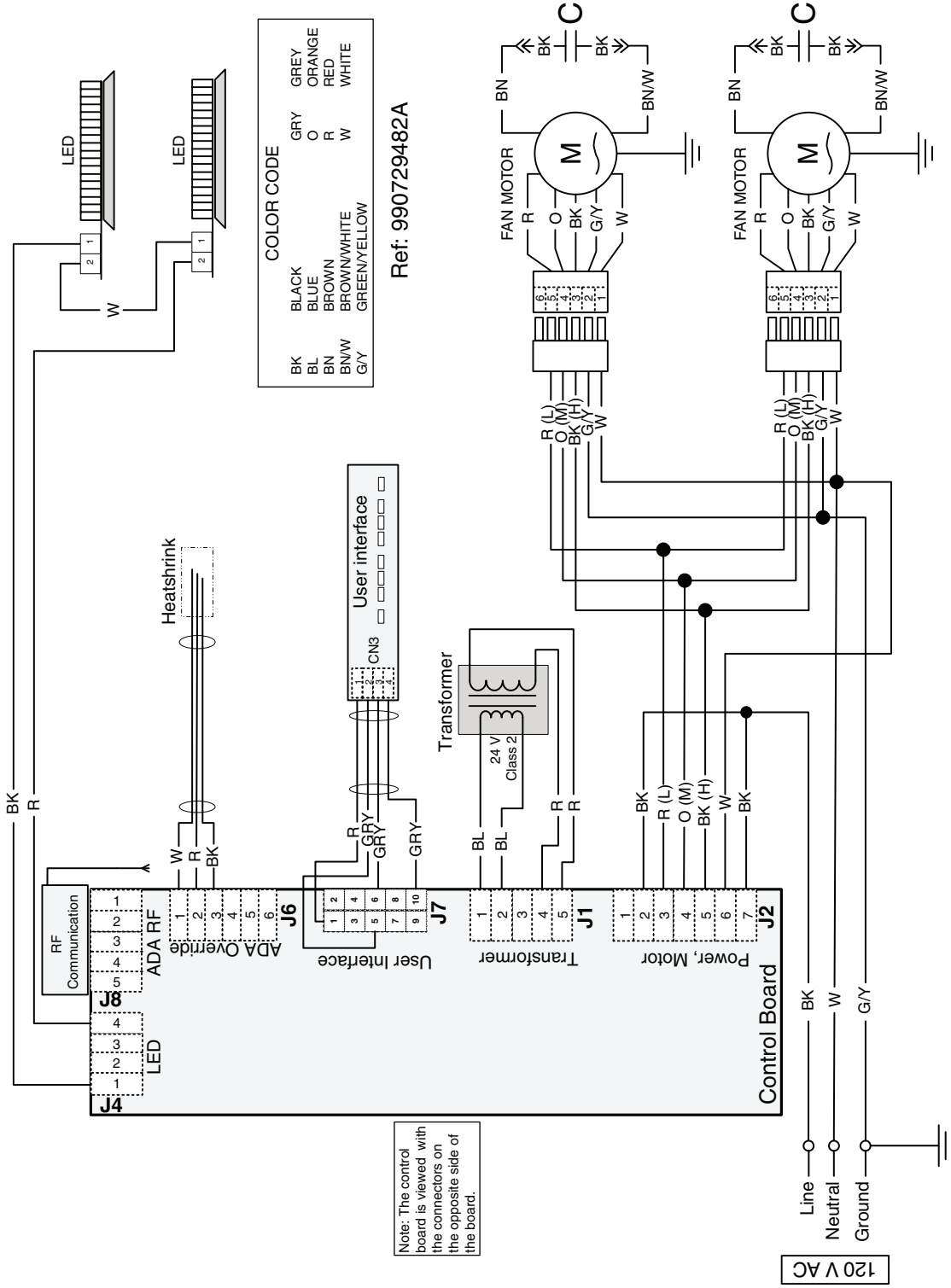
## Install the Filters

### **Ducted Installation Only:**

Re-install grease filters removed in step 3 , page 10, under “Prepare the Hood”.

### **Non-ducted Installation Only:**

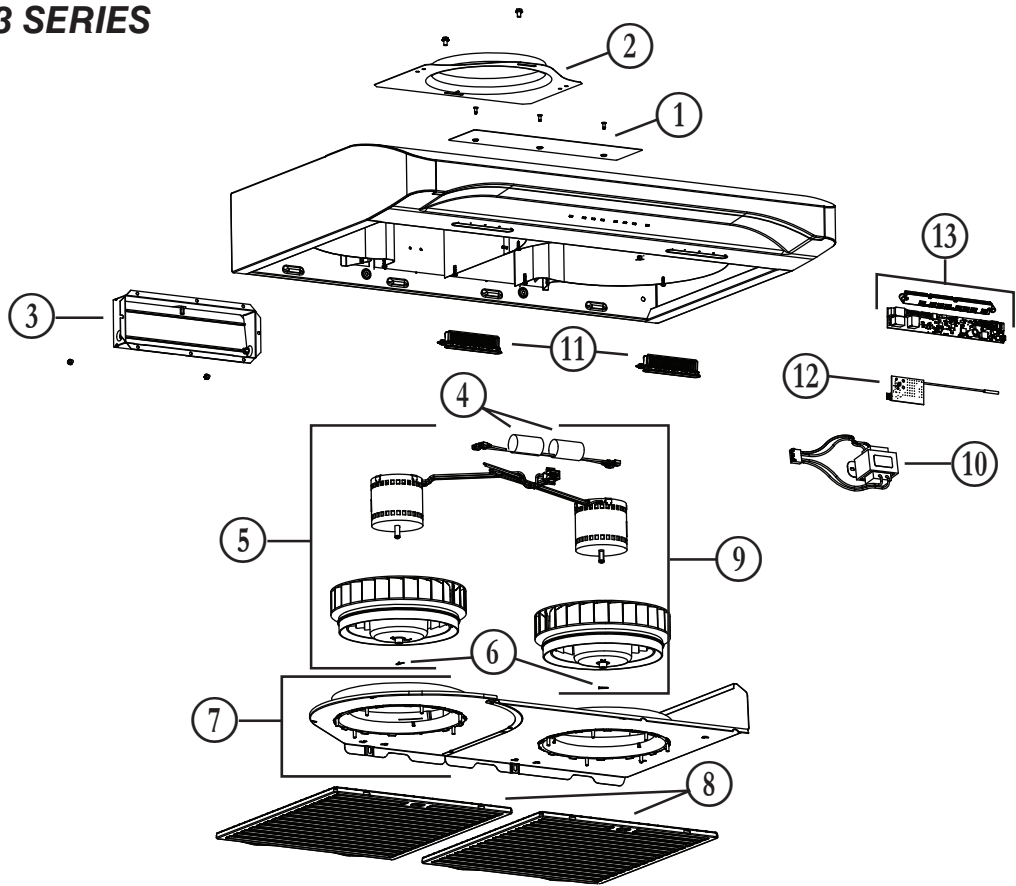
Purchase two non-ducted filters from your local distributor or retailer (see product specification label for filter type). Attach the non-ducted filters following instructions packed with the non-ducted filters.



# WIRING DIAGRAM

INSTALLATION MANUAL

**ALT3 SERIES**



KEY NO.	PART NO.	DESCRIPTION	QUANTITY	
			30"	36"
1	S97020031	RECIRCULATION COVER PLATE, STAINLESS STEEL (INCLUDING SCREWS)	1	1
2	SR680508	7" ROUND DUCT PLATE (INCLUDING SCREWS)	1	1
3	S97020534	3¼" x 10" DAMPER ASS'Y (INCLUDING SCREWS)	1	1
4	S97020412	CAPACITOR (INCLUDING TIE WRAP)	2	2
5	S97021326	BLOWER ASS'Y CW (INCLUDING ITEMS 4 AND 6 AND HARDWARE)	1	1
6	SR99420635	CLIP FOR FANPELLER	2	2
7	S97021339	BOTTOM COVERS (WITH INLETS)	1	1
8	S97020204-002	GREASE FILTER - HYBRID -TYPE C5 (SET OF 2)	1	
	S97020204-003	GREASE FILTER - HYBRID -TYPE D5 (SET OF 2)		1
9	S97021327	BLOWER ASS'Y CCW (INCLUDING ITEMS 4 AND 6 AND HARDWARE)	1	1
10	S97021392	TRANSFORMER KIT, 24 V 18 VA (WITH SCREWS)	1	1
11	S97020444	LED MODULE (PAIR)	1	1
12	S97020442	RF RECEIVER BOARD	1	1
13	S97020441	INFRARED SENSING CONTROL	1	1
*	S97020454	WIRE HARNESS	1	1
*	S97020360	PARTS BAG INCLUDING: 4 METAL SCREWS NO. 8-18 x 1/2", 6 ROUND HEAD NO. 8 x 5/8" WOOD SCREWS, 6 NO. 8 x 1/2" COUNTERSUNK WOOD SCREWS	1	1
*	S97020466	NON-DUCTED FILTER - TYPE Xc (PAIR) (NON-DUCTED INSTALLATION ONLY)	1	
*	S97020467	NON-DUCTED FILTER - TYPE Xd (PAIR) (NON-DUCTED INSTALLATION ONLY)		1
*	S99527587	NON-DUCTED FILTER CLIP KIT (INCLUDING 4 CLIPS)	1	1
*	S97020470	EASY INSTALL KIT (INCLUDING HARDWARE)	1	1

\* ITEM NOT SHOWN.

**REPLACEMENT PARTS AND REPAIRS**

In order to ensure your unit remains in good working condition, you must use Broan-NuTone LLC or Venmar Ventilation ULC genuine replacement parts only. Broan-NuTone LLC and Venmar Ventilation ULC genuine replacement parts are specially designed for each unit and are manufactured to comply with all the applicable certification standards and maintain a high standard of safety. Any third party replacement part used may cause serious damage and drastically reduce the performance level of your unit, which will result in premature failing. Broan-NuTone LLC and Venmar Ventilation ULC recommend to contact a certified service depot for all replacement parts and repairs.

### Limited Warranty

**Warranty Period and Exclusions:** Broan-NuTone LLC and Venmar Ventilation ULC (either being the “Company”) warrants to the original consumer purchaser of its product (“you”) that the product (the “Product”) will be free from material defects in the Product or its workmanship for a period of one (1) year from the date of original purchase (or such longer period as may be required by applicable law). For Range Hood Product that includes built-in LED modules, the Company warrants the LED modules and driver to be free from material defects for a period of three (3) years from the date of purchase. The limited warranty period for any replacement parts provided by the Company and for any Products repaired or replaced under this limited warranty shall be the remainder of the original warranty period (or such longer period as may be required by applicable law).

This warranty does not cover fluorescent lamp starters, tubes, halogen and incandescent bulbs, fuses, filters, ducts, roof caps, wall caps and other accessories for ducting that may be purchased separately and installed with the Product. This warranty also does not cover (a) normal maintenance and service, (b) normal wear and tear, (c) any Products or parts which have been subject to misuse, abuse, abnormal usage, negligence, accident, improper or insufficient maintenance, storage or repair (other than repair by the Company), (d) damage caused by faulty installation, or installation or use contrary to recommendations or instructions, (e) any Product that has been moved from its original point of installation, (f) damage caused by environmental or natural elements, (g) damage in transit, (h) natural wear of finish, (i) Products in commercial or nonresidential use, or (j) damage caused by fire, flood or other act of God or (k) Products with altered, defaced or removed serial numbers. This warranty covers only Products sold to original consumers in the United States and Canada by the Company or its U.S. and Canadian distributors authorized by the Company.

This warranty supersedes all prior warranties and, subject to applicable law, is not transferable from the original consumer purchaser.

**No Other Warranties:** This Limited Warranty contains the Company’s sole obligation and your sole remedy for defective products. The foregoing warranties are exclusive and in lieu of any other warranties and conditions, express or implied. **THE COMPANY DISCLAIMS AND EXCLUDES ALL OTHER EXPRESS WARRANTIES AND CONDITIONS, AND DISCLAIMS AND EXCLUDES ALL WARRANTIES AND CONDITIONS IMPLIED BY LAW, INCLUDING WITHOUT LIMITATION THOSE OF MERCHANTABILITY AND FITNESS FOR A PARTICULAR PURPOSE.** To the extent that applicable law prohibits the exclusion of implied warranties or conditions, the duration of any applicable implied warranty or condition is limited to the period specified for the express warranty above. Some jurisdictions do not allow limitations on how long an implied warranty lasts, so the above limitation may not apply to you. Any oral or written description of the Product is for the sole purpose of identifying it and shall not be construed as an express warranty.

Whenever possible, each provision of this Limited Warranty shall be interpreted in such manner as to be effective and valid under applicable law, but if any provision is held to be prohibited or invalid, such provision shall be ineffective only to the extent of such prohibition or invalidity, without invalidating the remainder of such provision or the other remaining provisions of the Limited Warranty.

**Remedy:** During the applicable limited warranty period, the Company will, at its option, provide replacement parts for, or repair or replace, without charge, any Product or part thereof, to the extent the Company finds it to be covered by and in breach of this limited warranty under normal use and service. The Company will ship the repaired or replaced Product or replacement parts to you at no charge. You are responsible for all costs for removal, reinstallation and shipping, insurance or other freight charges incurred in the shipment of the Product or part to the Company. If you must send the Product or part to the Company, as instructed by the Company, you must properly pack the Product or part—the Company is not responsible for damage in transit. The Company reserves the right to utilize reconditioned, refurbished, repaired or remanufactured Products or parts in the warranty repair or replacement process. Such Products and parts will be comparable in function and performance to an original Product or part and warranted for the remainder of the original warranty period (or such longer period as may be required by applicable law).

Company reserves the right, in its sole discretion, to refund the money actually paid by you for the Product in lieu of repair or replacement. If the Product or component is no longer available, replacement may be made with a similar product of equal or greater value, at Company’s sole discretion. This is your sole and exclusive remedy for breach of this limited warranty.

**Exclusion of Damages:** **THE COMPANY’S OBLIGATION TO PROVIDE REPLACEMENT PARTS, OR REPAIR, REPLACE OR REFUND, AT THE COMPANY’S OPTION, SHALL BE YOUR SOLE AND EXCLUSIVE REMEDY UNDER THIS LIMITED WARRANTY AND THE COMPANY’S SOLE AND EXCLUSIVE OBLIGATION. THE COMPANY SHALL NOT BE LIABLE FOR INCIDENTAL, INDIRECT, CONSEQUENTIAL OR SPECIAL DAMAGES ARISING OUT OF OR IN CONNECTION WITH THE PRODUCT, ITS USE OR PERFORMANCE.** Incidental damages include but are not limited to such damages as loss of time and loss of use. Consequential damages include but are not limited to the cost of repairing or replacing other property which was damaged if the Product does not work properly.

**THE COMPANY SHALL NOT BE LIABLE TO YOU, OR TO ANYONE CLAIMING UNDER YOU, FOR ANY OTHER OBLIGATIONS OR LIABILITIES, INCLUDING, BUT NOT LIMITED TO, OBLIGATIONS OR LIABILITIES ARISING OUT OF BREACH OF CONTRACT OR WARRANTY, NEGLIGENCE OR OTHER TORT OR ANY THEORY OF STRICT LIABILITY, WITH RESPECT TO THE PRODUCT OR THE COMPANY’S ACTS OR OMISSIONS OR OTHERWISE.**

Some jurisdictions do not allow the exclusion or limitation of incidental or consequential damages, so the above limitation or exclusion may not apply to you. This warranty gives you specific legal rights, and you may also have other rights, which vary from jurisdiction to jurisdiction. The disclaimers, exclusions, and limitations of liability under this warranty will not apply to the extent prohibited by applicable law.

This warranty covers only replacement or repair of defective Products or parts thereof at the Company’s main facility and does not include the cost of field service travel and living expenses.

Any assistance the Company provides to or procures for you outside the terms, limitations or exclusions of this limited warranty will not constitute a waiver of such terms, limitations or exclusions, nor will such assistance extend or revive the warranty. The Company will not reimburse you for any expenses incurred by you in repairing or replacing any defective Product, except for those incurred with the Company’s prior written permission.

**How to Obtain Warranty Service:** To qualify for warranty service, you must (a) notify the Company at the address or telephone number stated below within seven (7) days of discovering the covered defect, (b) give the model number and part identification and (c) describe the nature of any defect in the Product or part. At the time of requesting warranty service, you must present evidence of the original purchase date. If you cannot provide a copy of the original written limited warranty, then the terms of the Company’s most current written limited warranty for your particular product will control. The most current limited written warranties for the Company’s products can be found at [www.broan.com](http://www.broan.com) and [www.broan.ca](http://www.broan.ca)

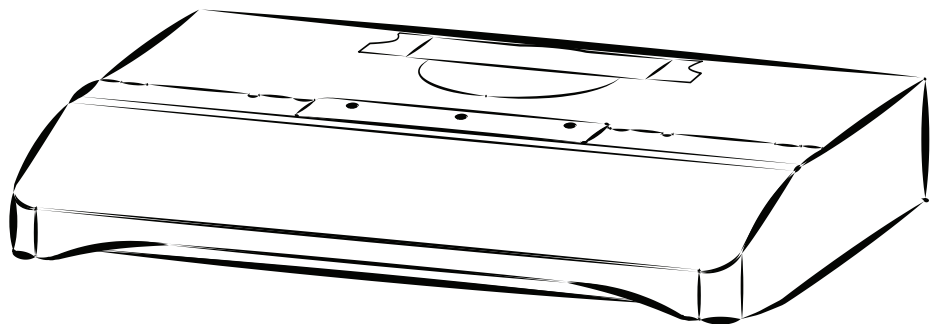
Broan-NuTone LLC 926 West State Street, Hartford, WI 53027 [www.broan.com](http://www.broan.com) 800-637-1453  
 Venmar Ventilation ULC, 550 Lemire Blvd., Drummondville, Québec, Canada J2T 7W9 [www.broan.ca](http://www.broan.ca) 1-877-896-1119

**BROAN**<sup>®</sup> *Elite*

# CAMPANA DE COCINA

Serie: ALT3

MANUAL DE INSTALACIÓN,  
USO Y CUIDADO



Número de serie:



<b>Seguridad</b> .....	<b>3-4</b>
<b>Funcionamiento</b> .....	<b>5-6</b>
<b>Limpieza y mantenimiento</b> .....	<b>7</b>
Motores	
Filtros de grasa	
Filtros de recirculación	
Ruedas del ventiladores	
Limpieza del acero inoxidable	
<b>Instalación</b> .....	<b>8-20</b>
Herramientas y accesorios recomendados para la instalación .....	8
Instale los conductos (instalaciones con conductos únicamente) . . . .	8
Contenido .....	9
Prepare la campana .....	10-12
Prepare la ubicación de la campana .....	13
Instalación EZ1 por una persona .....	13-15
Instale la campana (soporte EZ1) .....	16-17
Instalación normal .....	18
Instale la campana (instalación normal) . . . .	19
Conecte el cableado .....	20
Instale los filtros .....	20
<b>Diagrama de cableado</b> .....	<b>21</b>
<b>Piezas de repuesto</b> .....	<b>22</b>
<b>Garantía</b> .....	<b>23</b>

## LEA ESTAS INSTRUCCIONES Y GUÁRDELAS

**⚠ Exclusivamente para cocinas domésticas ⚠**

**INSTALADOR: ENTREGUE ESTE MANUAL AL PROPIETARIO.**

En EE.UU., registre su campana de cocina en línea en [www.broan.com](http://www.broan.com).

En Canadá, registre su campana de cocina en línea en [www.broan.ca](http://www.broan.ca).

### **⚠ ADVERTENCIA**



#### **PARA REDUCIR EL RIESGO DE INCENDIO, DESCARGA ELÉCTRICA O LESIÓN CORPORAL, RESPETE LAS SIGUIENTES INDICACIONES:**

- Utilice esta unidad únicamente de la forma en que indica el fabricante. Si tiene cualquier pregunta, póngase en contacto con el fabricante en la dirección o el teléfono que aparecen en la garantía.
- Antes de reparar o limpiar el aparato, apáguelo en el tablero de servicio y bloquee los medios de desconexión para impedir que la corriente se conecte accidentalmente. Cuando no se pueda bloquear los medios de desconexión, coloque un dispositivo de advertencia visible (como una etiqueta) en el tablero de servicio.
- La instalación y la conexión eléctrica deben ser realizadas por personal calificado de acuerdo con todos los códigos y normas aplicables, incluso los relativos a la construcción ignífuga.
- Para lograr una combustión adecuada y una extracción correcta de los gases a través de la salida del humo (chimenea) del equipo quemador de combustible — evitando así el contratiro — es necesario disponer de aire suficiente. Siga las directrices del fabricante del equipo de material térmico y las normas de seguridad, como las que publica la NFPA (asociación de protección contra los incendios) y la ASHRAE (sociedad estadounidense de técnicos de calefacción, refrigeración y aire acondicionado) así como los códigos de los organismos responsables locales.
- Al cortar o perforar la pared o el techo, procure no dañar el cableado eléctrico ni otras instalaciones de servicios públicos.
- Los ventiladores entubados siempre deben tener salida al exterior.
- No use esta unidad con ningún otro control de velocidad de estado sólido.
- Para reducir el riesgo de incendio, utilice sólo tuberías metálicas.
- Este aparato debe conectarse a tierra.
- Como alternativa, se puede instalar este producto con el juego de cable de alimentación aprobado por UL y diseñado para el producto, siguiendo las instrucciones incluidas con el cable.
- Cuando una reglamentación local esta en vigor y conlleva exigencias de instalación y/o de certificación mas estrictas, susodichas exigencias prevalecen sobre aquellas en este documento y el instalador acepta someterse a estas exigencias a sus gastos.

**⚠ ADVERTENCIA**



**PARA REDUCIR EL RIESGO DE QUE ARDA LA GRASA EN LA PARTE SUPERIOR DE LA COCINA:**

- a) No deje nunca recipientes de cocina a fuego vivo sin vigilancia. Los desbordamientos producen humo y derrames grasientos que pueden inflamarse. Caliente el aceite despacio, a fuego lento o mediano.
- b) Ponga en marcha siempre la campana extractora al cocinar a temperaturas elevadas o al cocinar alimentos flameados (crepas Suzette, cerezas jubilee, res con pimienta flambeada).
- c) Limpie el ventilador con frecuencia. No deje que la grasa se acumule en el ventilador, ni en los filtros o en los conductos de evacuación.
- d) Utilice cacerolas de tamaño apropiado. Emplee siempre un recipiente adecuado para el tamaño de la placa.

**PARA REDUCIR EL RIESGO DE LESIONES CORPORALES EN EL CASO DE QUE ARDA LA GRASA EN LA PARTE SUPERIOR DE LA COCINA, SIGA ESTAS INDICACIONES\*:**

1. SOFOQUE LAS LLAMAS con una tapa ajustada, una hoja o bandeja metálica para hornear galletas, y apague luego el quemador. TENGA CUIDADO PARA EVITAR QUEMADURAS. SI LAS LLAMAS NO SE APAGAN INMEDIATAMENTE, EVACUE EL LUGAR Y LLAME A LOS BOMBEROS.
2. NO SUJETE NUNCA UNA SARTÉN EN LLAMAS ya que podría quemarse.
3. NO USE AGUA, ni trapos húmedos. Podría causar una violenta explosión de vapor.
4. Utilice un extintor SOLAMENTE si:
  - A. Tiene un extintor de tipo ABC y sabe usarlo.
  - B. El incendio es pequeño y está circunscrito a la zona donde empezó.
  - C. Ya ha llamado a los bomberos.
  - D. Puede tratar de apagar el fuego si dispone siempre de una salida detrás de usted.

\* Fuente: "Kitchen Fire Safety Tips" publicado por la NFPA.

**⚠ PRECAUCIÓN**

- Sólo para una utilización en el interior.
- Sólo para ventilación general. No debe utilizarse para extraer materiales o vapores peligrosos o explosivos.
- Para evitar daños en el cojinete del motor y que la hélice haga ruido o se desequilibre, mantenga la unidad de alimentación lejos de los vaporizadores de pirca, del polvo de la construcción, etc.
- El motor de la campana tiene un dispositivo contra sobrecargas térmicas que apaga el motor automáticamente si éste se sobrecalienta. El motor volverá a ponerse en marcha cuando se enfríe. Si el motor sigue apagándose, haga examinar el motor.
- Para lograr una mejor captura de las impurezas producidas al cocinar, la parte inferior de la campana deberá estar A UN MÍNIMO de 18" y un máximo de 30" sobre el nivel la superficie para cocina.
- Siga siempre las indicaciones del fabricante del equipo de cocina sobre las necesidades de ventilación.
- Para reducir los riesgos de incendio y extraer el aire debidamente, el aire debe evacuarse fuera. No extraiga el aire a espacios situados entre las paredes, en el techo o en el desván, falso techo o garaje.
- Se aconseja llevar anteojos y guantes de seguridad al instalar, reparar o limpiar el aparato.
- Para mayor información y conocer los requisitos, lea la etiqueta con las especificaciones en el producto.

## Funcionamiento

Ponga la campana en marcha siempre antes de empezar a cocinar para crear una corriente de aire en la cocina. Deje funcionar el ventilador impelente varios minutos para limpiar el aire cuando ya haya apagado la cocina. De este modo, la cocina estará más limpia y despejada. Esta campana viene equipada con sensores táctiles infrarrojos. Para activarla, basta con tocar el botón que corresponde a la función y/o intensidad deseada. Al tocar el sensor, un pitido es emitido para confirmar la orden.



### **SENSOR MAESTRO DE ENCENDIDO/APAGADO**

Toque este sensor para ENCENDER las luces y el ventilador impelente de acuerdo al último ajuste guardado.

Cuando el ventilador impelente y/o las luces están ENCENDIDOS, toque el sensor para guardar el último ajuste de la velocidad del ventilador y de la intensidad de la luz, y para apagar la unidad.

### **VENTILADOR**

#### **AJUSTE DE LA ACTIVACIÓN/VELOCIDAD**

Cuando el ventilador impelente esté APAGADO, toque el sensor correspondiente a la velocidad deseada. El sensor se iluminará y el ventilador se pondrá en marcha.

Cuando el ventilador impelente esté ENCENDIDO, toque el sensor correspondiente a la velocidad actual del ventilador para APAGARLO y memorizar la velocidad.

NOTA: Cuando se active la velocidad BAJA a partir del ventilador APAGADO, éste empieza a funcionar a velocidad MEDIA brevemente y luego pasa a velocidad BAJA.

### **TEMPORIZADOR DE APAGADO**

Para activar el temporizador de APAGADO, con el ventilador ENCENDIDO, toque y mantenga presionado durante tres segundos el sensor iluminado correspondiente a la velocidad actual del ventilador. Se escuchará un pitido al primer toque y otro pitido cuando hayan transcurrido los tres segundos. En este ajuste, el ventilador sigue funcionando por diez minutos. Durante este tiempo, el sensor correspondiente a la velocidad actual del ventilador parpadea para indicar que el temporizador de APAGADO ha sido activado.

Cuando el temporizador de APAGADO está activado, la velocidad del ventilador puede ser cambiada tocando el sensor correspondiente a la velocidad deseada, sin que esto afecte el tiempo restante del temporizador.

Para desactivar el temporizador de APAGADO antes de que termine el ciclo de 10 minutos, toque y mantenga presionado durante tres segundos el sensor correspondiente a la velocidad actual del ventilador, o simplemente toque el sensor maestro de ENCENDIDO/APAGADO.

### **HEAT SENTRY™**

Esta campana viene equipada con un dispositivo de protección que activa el ventilador impelente al detectar un nivel de calor anormalmente alto cuando el ventilador está activado. Cuando el dispositivo Heat Sentry está activado, toma el control del ventilador y lo pone en la velocidad MEDIA. Entre tanto, todos los sensores del ventilador parpadean. Sin embargo, las luces se pueden controlar. El ventilador seguirá en velocidad MEDIA hasta que el calor alcance un nivel normal, momento en el que el ventilador volverá a la velocidad seleccionada anteriormente.

NOTA : Cuando se detecta un calor excesivo, el dispositivo Heat Sentry apaga el ventilador y las luces mientras que todos los sensores del ventilador más rápidamente. El ventilador y las luces permanecerán apagados hasta que la temperatura ambiente se enfríe; luego, el ventilador empezará a funcionar a velocidad MEDIA (las luces pueden controlarse de nuevo). El ventilador funcionará a velocidad MEDIA hasta que el calor vuelva a la situación normal, momento en el que el ventilador volverá a la velocidad seleccionada anteriormente.

### **ENCENDIDO/AJUSTE DE LA INTENSIDAD DE LAS LUCES**

Para ENCENDER las luces, toque el sensor correspondiente a la intensidad deseada y el sensor se iluminará.

Cuando las luces están ENCENDIDAS, toque el sensor correspondiente a la intensidad actual para APAGAR las luces y memorizar la intensidad.

Los módulos LED incluidos con esta campana extractora constituyen la más avanzada tecnología de iluminación LED de superficies de cocción. Diseñados específicamente para operar a temperaturas elevadas de cocción, estas luces LED ofrecen una iluminación muy clara, duran hasta 25 veces más tiempo que los focos estándar y son mucho más fiables que las lámparas LED de recambio comunes.

### **RECORDATORIO DE LIMPIEZA DE LOS FILTROS**

Si el sensor de recordatorio de limpieza de los filtros parpadea durante 30 segundos cuando se apaga el ventilador, esto quiere decir que ha llegado el momento de limpiar los filtros.

Para reinicializar el recordatorio de limpieza de los filtros, toque y mantenga presionado el sensor durante tres segundos cuando está parpadeando.

### **INFORMACIÓN ADICIONAL**

Este control es fotosensible; evite orientar luces direccionales en su sentido pues esto puede causar su mal funcionamiento.

En raras ocasiones, una fuente de luz externa podría activar por error el control.

### **CONTROL REMOTO OPCIONAL**

Para mayor comodidad, las campanas de serie ALT3 también puede controlarse mediante el control remoto opcional HCR3 (comprar por separado). Para más información, véase las instrucciones incluidos con el control remoto HCR3.

## Limpieza y mantenimiento

El mantenimiento adecuado de la campana permitirá que funcione correctamente.

### MOTORES

Los motores están lubricados permanentemente y no necesitan engrase nunca. Si los rodamientos de un motor hacen un ruido excesivo o no habitual, sustituya este motor por otro idéntico. También se debería sustituir su hélice.

### FILTROS DE GRASA

Los filtros de grasa deberían limpiarse con frecuencia. Use una disolución de agua tibia y detergente para vajilla. Los filtros de grasa se pueden lavar en el lavaplatos.

Lave los filtros metálicos en el lavaplatos con un detergente sin fosfato. Los filtros de pueden descolorar si se lavan con detergentes con fosfato o debido a las características del agua local pero esto no afecta su desempeño. Esta descoloración no está cubierta por la garantía. A fin de reducir al mínimo o prevenir la descoloración, lave los filtros a mano con un detergente suave.

### FILTROS DE RECIRCULACIÓN

Los filtros de recirculación deberían cambiarse cada 3 a 6 meses. Sustitúyalo con mayor frecuencia si su tipo de cocina genera más grasa, por ejemplo si fríe o cocina con wok. Consulte las instrucciones de instalación que vienen con el filtro de recirculación.

### RUEDAS DEL VENTILADOR

El centro de las ruedas del ventilador deberían limpiarse con frecuencia. Use un trapo limpio empapado con una disolución de agua tibia y detergente.

### LIMPIEZA DEL ACERO INOXIDABLE

#### A hacer:

- Lávelo regularmente con un trapo limpio empapado con una disolución de agua tibia y jabón suave o detergente para lavar vajillas.
- Limpie siempre en la dirección de las líneas de pulido.
- Enjuague siempre bien con agua limpia (2 o 3 veces) después de limpiar. Séquelo completamente.
- También puede usar un producto limpiador doméstico para acero inoxidable.

#### A no hacer:

- Usar lana de acero o de acero inoxidable o un rascador para quitar la suciedad más incrustada.
- Usar productos limpiadores agresivos o abrasivos.
- Dejar que se acumule la suciedad.
- Permitir que el polvo de yeso u otros residuos de construcción entren en contacto con la campana. Durante los trabajos de construcción o renovación, cubra la campana para evitar que el polvo se adhiera a las superficies de acero inoxidable.

#### Al elegir un detergente, evite:

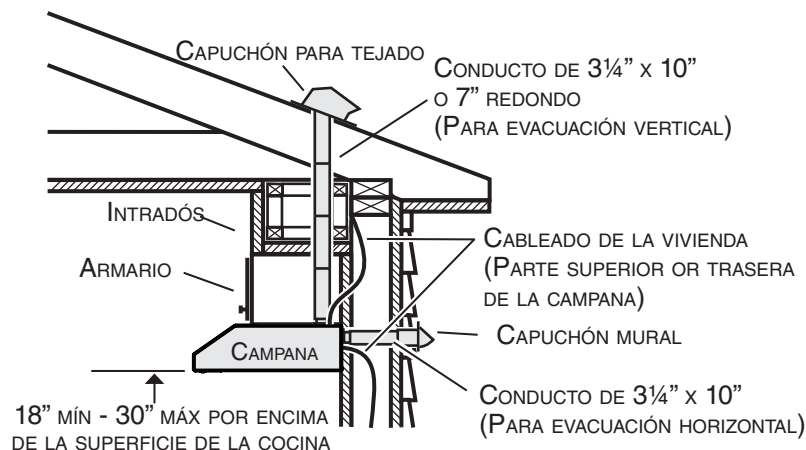
- Los productos limpiadores que contengan blanqueador (lejía) ya que dañarán el acero inoxidable.
- Los productos que contengan: **cloruro**, **fluoruro**, **yoduro**, **bromuro**, ya que deteriorarán las superficies rápidamente.
- Los productos combustibles que se usan para limpiar, tales como: **acetona**, **alcohol**, **éter**, **benzol**, etc., ya que son muy explosivos y no deberían usarse nunca cerca de una cocina.

Para las directrices de instalación conforme a la ADA, visite [www.broan.com](http://www.broan.com)

## Herramientas y accesorios recomendados para la instalación

- Cinta métrica
- Destornillador Phillips n.º 2
- Destornillador para tuercas o un dado de 11/32"
- Destornillador de punta plana (para abrir los orificios punzonados)
- Taladro, broca de 1/8" y serrucho de calar de 1½" (para cortar el orificio de acceso del cableado eléctrico)
- Broca de 7/64" (para taladrar orificios para los tornillos de montaje de los soportes EZ1)
- Calzos de madera (2) y tornillos para madera (4) (necesarios para la instalación en armario de cocina con armazón)
- Sierra (para cortar orificios para aplicaciones con conductos)
- Cizalla (para instalaciones con conductos únicamente, para ajustar los conductos)
- Alicates (para instalaciones con conductos únicamente, para ajustar los conductos)
- Cinta adhesiva metálica (para aplicaciones con conductos)
- Tijeras (para cortar la cinta adhesiva metálica)
- Lápiz
- Desforrador de hilos
- Descarga de presión, de 1/2" de diámetro (para sujetar el cableado de la vivienda a la campana)

## Instale los conductos (instalaciones canalizadas únicamente)



NOTA: Las distancias superiores a 30" son a discreción del instalador y del usuario.

- 1 ] Determine si la campana evacuará verticalmente (conducto redondo de 3¼" x 10" o 7") u horizontalmente (conducto de 3¼" x 10" únicamente).
- 2 ] Decida por dónde pasarán los conductos entre la campana y el exterior.
- 3 ] Elija un paso recto y corto para que la campana funcione de la forma más eficaz. Los recorridos largos, los codos y las transiciones reducen el desempeño de la campana. Use los menos posible. Cuando pueda, prevea al menos 2 pies de conducto recto antes de cualquier giro. Pueden ser necesarios conductos más anchos para lograr mejor desempeño cuando los conductos más largos giran.

NOTA: Para utilizar conducto redondo de 6", instale un adaptador de 3¼" x 10" a redondo de 6" (no incluido). El rendimiento puede verse afectado.

- 4 ] Instale un capuchón mural o un capuchón para tejado (se venden por separado). Conecte el conducto metálico al capuchón y vuelva al lugar donde se encuentra la campana. Use cinta adhesiva metálica de 2" para sellar las juntas entre los tramos de los conductos.

## Contenido

Antes empezar la instalación, verifique el contenido de la caja. Si faltan elementos o hay elementos dañados, póngase en contacto con el fabricante.

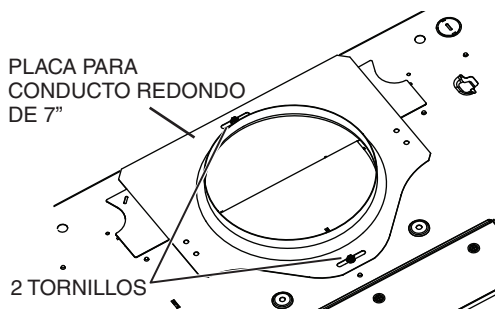
Compruebe que estén en la caja los siguientes elementos:

	* SE ENCUENTRA EN EL EMBALAJE DE POLIESTIRENO		1) CONECTOR DE CONDUCTO REDONDO DE 7"
(2) FILTROS DE GRASA	(1) CONJUNTO DE LA CLAPETA DE RETENCIÓN* DE 3¼" x 10"		
<b>COMPONENTES EZ1</b>			
	(1) PLANTILLA PARA INSTALACIÓN DE CONDUCTOS (IMPRESA POR AMBOS LADOS)		
	(2) SOPORTES DE INSTALACIÓN** PARA ARMARIOS CON ARMAZÓN		
	(2) SOPORTES DE INSTALACIÓN** PARA ARMARIOS SIN ARMAZÓN		
** LOS SOPORTES EZ1 ESTÁN DENTRO DE LA CAMPANA.			
(1) BOLSA DE PIEZAS*** CONTENIDO:			
	(4) TORNILLOS PARA METAL N° 8-18 x 1/2"		
	(6) TORNILLOS DE CABEZA REDONDA PARA MADERA N° 8 x 5/8"		(6) TORNILLOS EMBUDITOS PARA MADERA N° 8 x 1/2"
*** LA BOLSA DE PIEZAS ESTÁ DENTRO DE LA CAMPANA.			

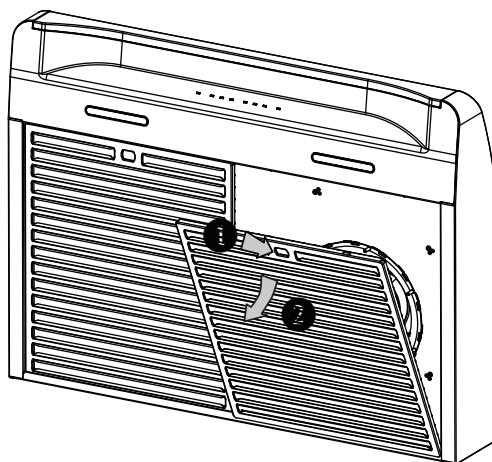


## Prepare la campana

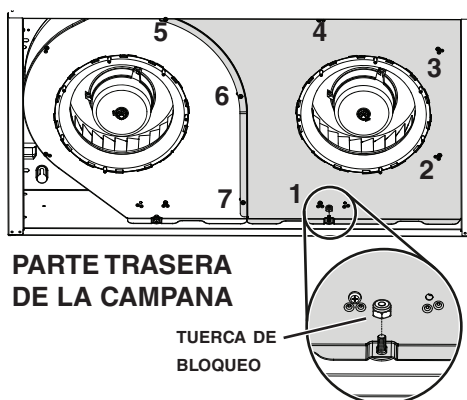
- 1 ] De haberla, retire de la campana y de todas las piezas la película protectora.
- 2 ] Retire la placa para conducto redondo de 7" de la parte superior trasera de la campana y conserve los tornillos para usarlos posteriormente (véase la ilustración de abajo).



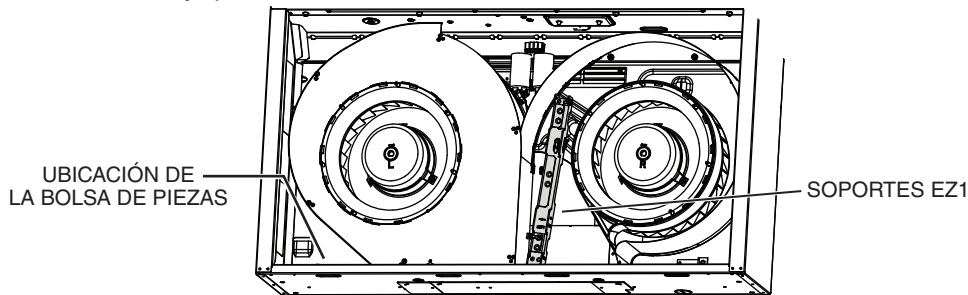
- 3 ] Use el orificio de agarre para retirar de la campana los filtros de grasa empujando hacia abajo ❶ e inclinando los filtros hacia fuera ❷.



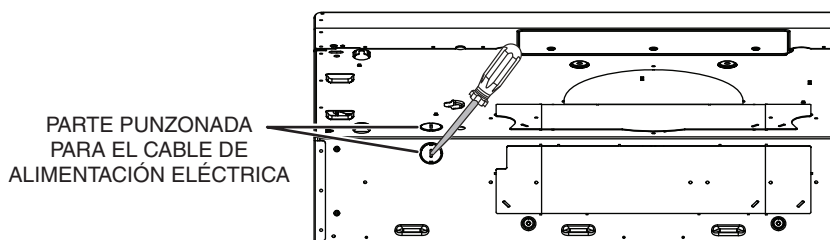
- 4 ] Utilice un destornillador para tuercas o un dado de 11/32" para remover la tuerca de bloqueo que sujetan el reborde de la placa de cubierta izquierda (parte sombreada de la ilustración de abajo) a la parte trasera interna de la campana (vease el recuadro). Retire los 7 tornillos que sujetan la placa de cubierta izquierda, después desmonte la placa de cubierta y consérvelo con su tornillos y tuerca de bloque.



- 5] Retire la bolsa de pieza que esta sujeta con cinta adhesiva a la campana; en la esquina inferior izquierda de la campana. Retire los soportes EZ1 del interior de la campana cortando la tira de amarre, y quite esta tira de amarre.

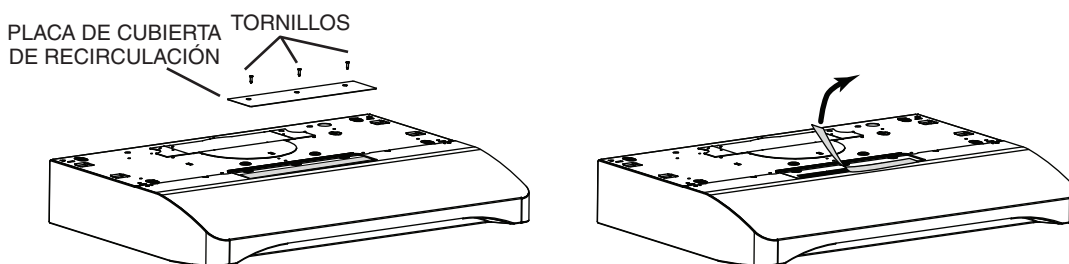


- 6] Retire la parte punzonada para el cable de alimentación eléctrica desde la parte superior (salida vertical) o desde la parte trasera (salida horizontal) de la campana. Para la parte punzonada quitado desde la parte trasera de la campana, instale una descarga de presión adecuada de 1/2" de diámetro (no incluida). Para la parte punzonada quitado desde la parte superior de la campana, la descarga de presión será instalada más tarde.



## INSTALACIÓN SIN CONDUCTOS ÚNICAMENTE

- 7] Retire los 3 tornillos que sujetan la placa de cubierta de recirculación a la campana. Deseche esta placa y los tornillos. Remueva la membrana cubriendo la reja de recirculación, asegurándose que las aperturas están totalmente despejadas.



## INSTALACIÓN CON CONDUCTOS ÚNICAMENTE

- 8 ] Retire la placa punzonada vertical de 3¼" x 10", horizontal de 3¼" x 10" (ambos están las placas punzonadas rectangular **centrales**, veanse las zonas rayadas) o la placa punzonada redonda de 7 pulgadas, según el modo de evacuación elegido (véanse las **Figuras 1 A y 1 B**).

FIGURA 1 A

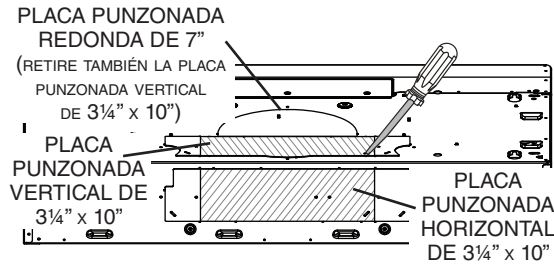
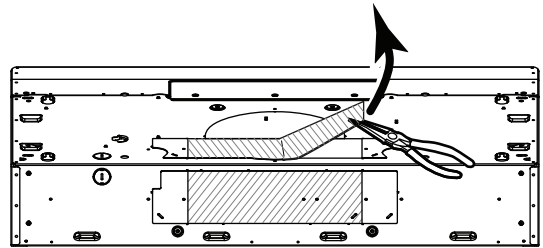


FIGURA 1 B



- 9 ] Instale el conjunto de la clapeta de 3¼" x 10" en la parte superior O en la parte trasera de la campana (si se usa el conducto de 3¼" x 10"; parte sombreada de la **Figura 2 A** de abajo) o la placa para conducto redondo de 7" (si se usa el conducto redondo de 7 pulgadas, **Figura 3**) por encima de la abertura punzonada. Una vez instalado, el conjunto de la clapeta de 3¼" x 10" debe abrirse como se ve en la **Figura 2 B**.

FIGURA 2 A

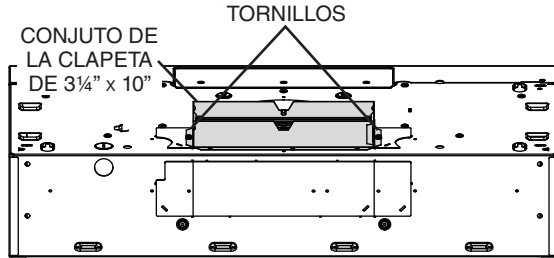


FIGURA 2 B

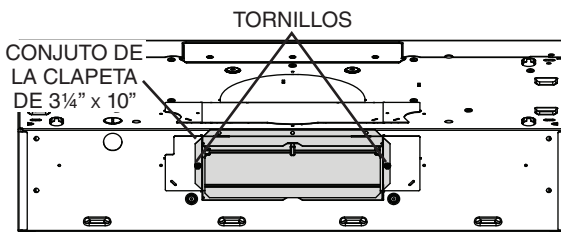
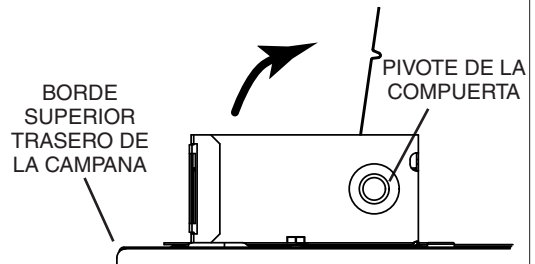
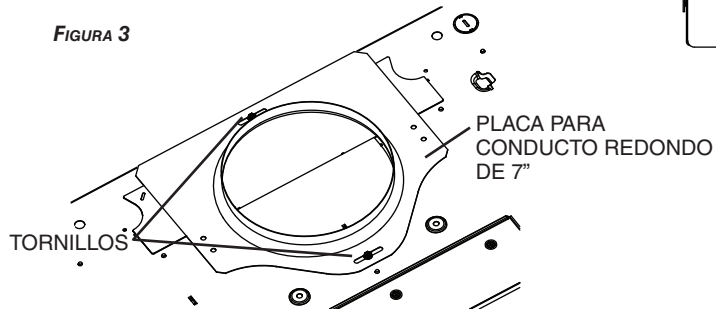
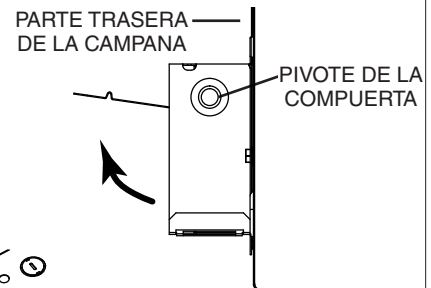


FIGURA 3



NOTA: Para adaptarse a un conducto descentrado, la placa para conducto redondo de 7" puede instalarse hasta 1/2" de cada lado del centro de la campana.

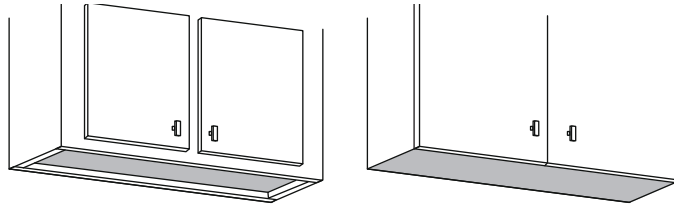
**CONSEJO:** Introduzca una pequeña longitud de conducto en el conjunto de la clapeta de 3¼" x 10" (para un conducto rectangular) o en la placa para conducto redondo de 7" (para un conducto redondo) y selle la junta con cinta adhesiva de aluminio para facilitar la conexión con los conductos de la vivienda.

## Prepare la ubicación de la campana

NOTA: antes de empezar la instalación, lea todas las etapas de estas instrucciones. Use la ilustración de abajo para reconocer su tipo de armario de cocina.

**ARMARIO CON ARMAZÓN**

**ARMARIO SIN ARMAZÓN**



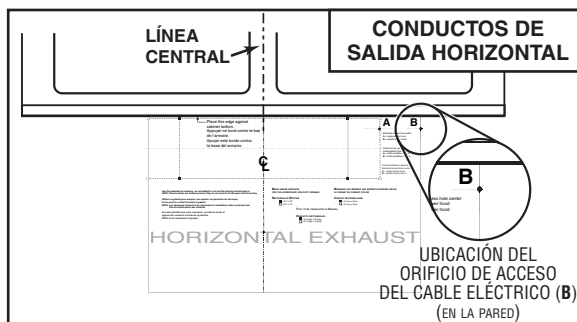
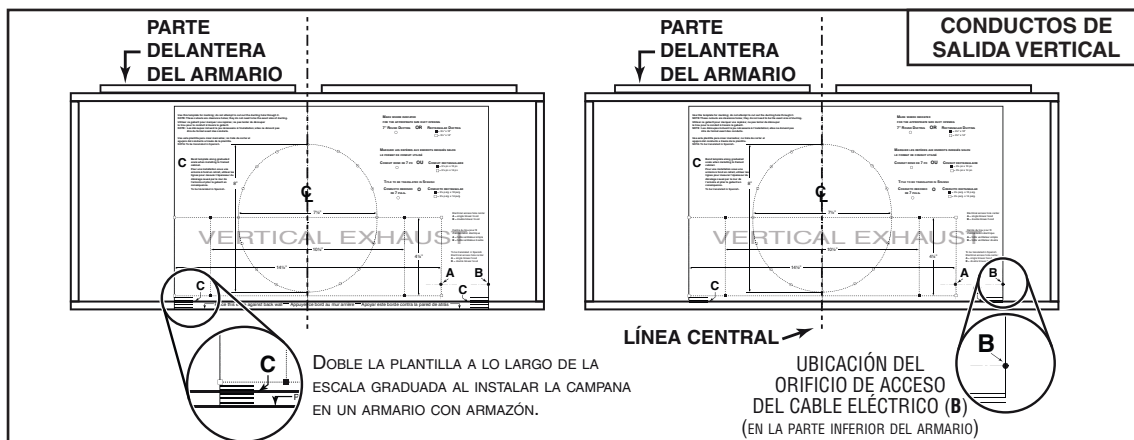
Este manual cubre 2 tipos de instalación: la normal (sin soportes EZ1) y la instalación EZ1 por una persona (usando la plantilla y los soporte provistos). Para la instalación normal, vaya a la página 18.

### Sistema de instalación EZ1 por una persona

La instalación EZ1 está pensada para armarios de cocina que tienen la misma anchura que la de la campana. Si el armario es 1/2" más ancho que la campana, use el modo de instalación normal.

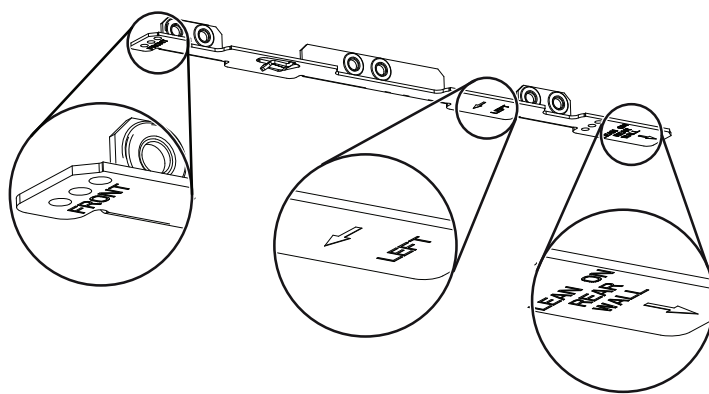
- 1 ] Use la plantilla adecuada para la evacuación vertical u horizontal (incluidas) para colocar los conductos y la alimentación eléctrica en el armario o en la pared. Para una instalación sin conductos, NO corte el orificio de acceso al conducto; corte sólo el orificio para el cableado eléctrico. **Si sustituye una campana y prevé usar el conducto y la alimentación eléctrica existentes, puede que las etapas 2 a 5 no sean necesarias. De ser el caso, pase a la etapa 6.**
- 2 ] Mida y marque la línea central de la campana en la parte inferior del armario.
- 3 ] Alinee la línea central de la plantilla con la línea central de la campana marcada en la parte inferior del armario, colocando el borde (donde se indica) de la plantilla contra la pared trasera. Cuando se use un armario con armazón para una instalación con salida vertical, pliegue hacia atrás el borde de la plantilla en una medida equivalente a la profundidad del armazón del armario en la pared (use las graduaciones de la plantilla, puntos C de la plantilla). Sujete la plantilla con cinta adhesiva.

NOTA: Si se sitúa frente a la instalación, A y B (en la plantilla) deben estar a la derecha.



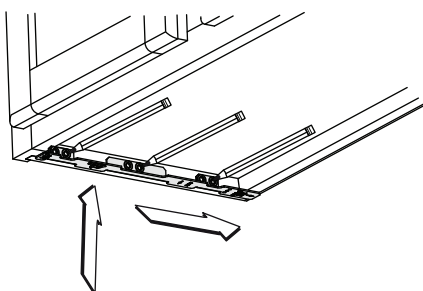
- 4 ] Taladre un orificio piloto de 1/8" de diámetro para el cableado de la vivienda, en el punto **B** de la plantilla.
- 5 ] Use un lápiz afilado o una broca de 1/8" para marcar los puntos para los orificios de acceso de los conductos (16 puntos para un conducto redondo de 7", o 4 puntos en las esquinas para un conducto rectangular). Retire la plantilla.
- 6 ] Dibuje el borde de la evacuación de salida uniendo los puntos (16 puntos para un conducto redondo de 7" y 4 puntos para un conducto rectangular), corte la abertura en la parte inferior del armario (salida vertical) o en la pared (salida horizontal). Taladre el orificio para el cableado de la vivienda usando un serrucho de calar de 1 1/2" centrándolo en el orificio piloto hecho en la etapa 4.
- 7 ] Instale los soporte de instalación adecuados según el tipo de armario (con armazón o sin armazón). Véase abajo

**ARMARIO  
CON ARMAZÓN**

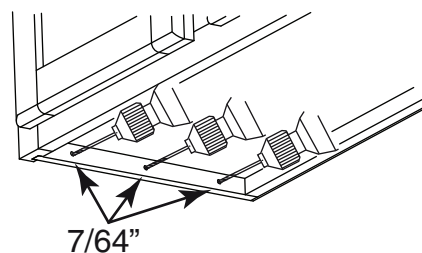


Consulte las marcas de los soporte para establecer el lado y la orientación correctos de la instalación (marcas en inglés solamente: front = parte delantera, left = izquierda, lean on rear wall = apoyar contra la pared trasera).

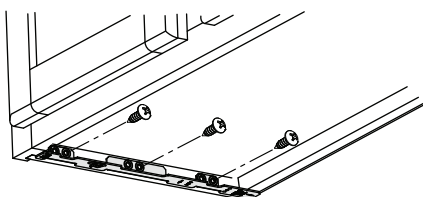
**1**



**2**

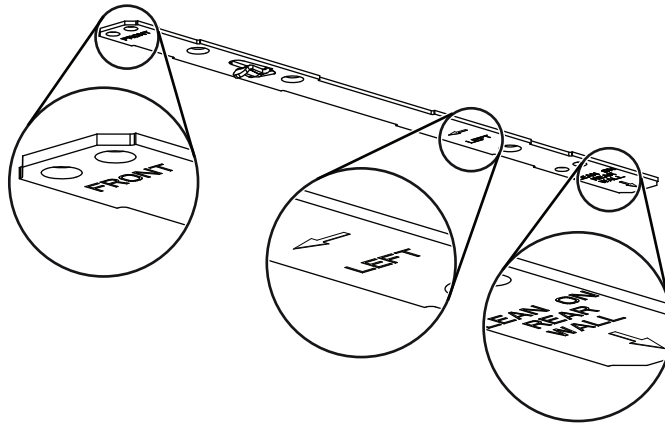


**3**

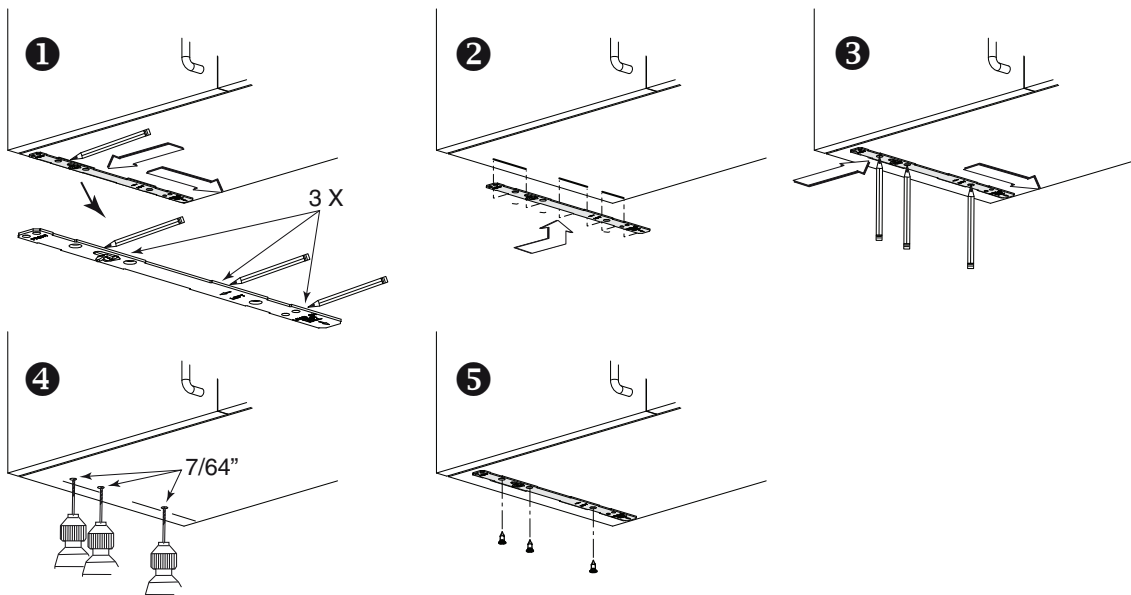


- 1 Acople el soporte correspondiente a la armazón lateral del armario colocando la parte de atrás del soporte contra la pared. Use un lápiz para marcar 3 orificios (hay 6 orificios pero sólo se necesitan 3).
- 2 Retire el soporte. Use una broca de 7/64" para taladrar 3 orificios donde los marcara.
- 3 Una el soporte al armazón lateral con un destornillador Phillips y 3 tornillos para madera no 8 x 5/8" provistos. Repita la operación en el otro lado del armazón.

**ARMARIO  
SIN ARMAZÓN**



Consulte las marcas de los soporte para establecer el lado y la orientación correctos de la instalación (marcas en inglés solamente: front = parte delantera, left = izquierda, lean on rear wall = apoyarse contra la pared trasera).

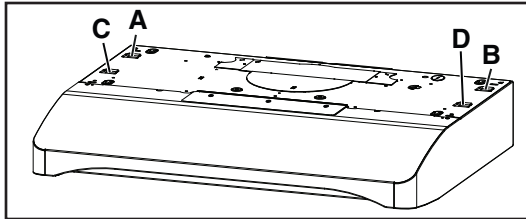


- 1 Alinee el soporte correspondiente al lado del armario, colocando al mismo tiempo la parte trasera del soporte contra la pared. Dibuje una línea a lo largo del borde exterior del soporte (como se muestra).
- 2 Coloque el soporte en el centro del armario y alinee el borde exterior del soporte con la línea marcada manteniendo el borde del extremo trasero apoyado en la pared.
- 3 Use un lápiz para marcar 3 orificios.
- 4 Retire el soporte. Use una broca de 7/64" para taladrar 3 orificios donde los marcara.
- 5 Una el soporte a la parte inferior del armario con un destornillador Phillips y 3 tornillos embutidos para madera provistos. Repita la operación en el otro lado del armario.

## Instale la campana (Soporte EZ1)

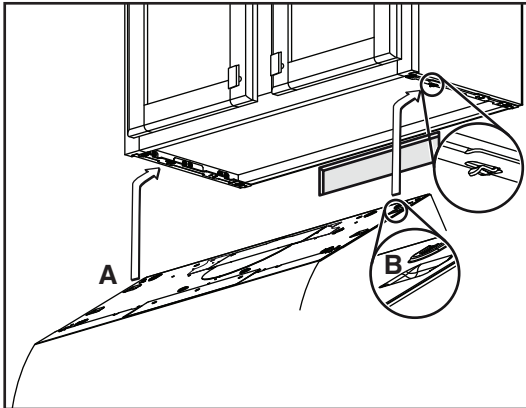
**NOTA:** El procedimiento siguiente se aplica a las instalaciones en armarios con armazón y sin armazón.

- 1 ] Lleve el cable de alimentación de la vivienda del tablero de servicio al lugar de la campana.
- 2 ] Hay 2 pares de orificios rebajados en cada lado de la parte superior de la campana (en la parte trasera: **A** y **B**, en la parte delantera **C** y **D** en la ilustración de abajo); estos orificios permiten colgar la campana a los soportes (instalados previamente).



### INSTALACIÓN CON SALIDA HORIZONTAL

- 3 ] Cuelgue provisionalmente la campana de los soportes por medio de los dos (2) ORIFICIOS TRASEROS rebajados (**A** y **B**). **Mientras sujeta la campana**, lleve el cable de alimentación de la vivienda hasta la campana a través de la descarga de presión instalada previamente en la etapa 6 en la página 11.



- 4 ] Desenganche los orificios traseros de los soportes y cuelgue la campana por medio de los dos (2) ORIFICIOS DELANTEROS rebajados (**C** y **D**). **Mientras sujeta la campana**, pase a la etapa 6.

### INSTALACIÓN CON SALIDA VERTICAL Y INSTALACIÓN SIN CONDUCTOS

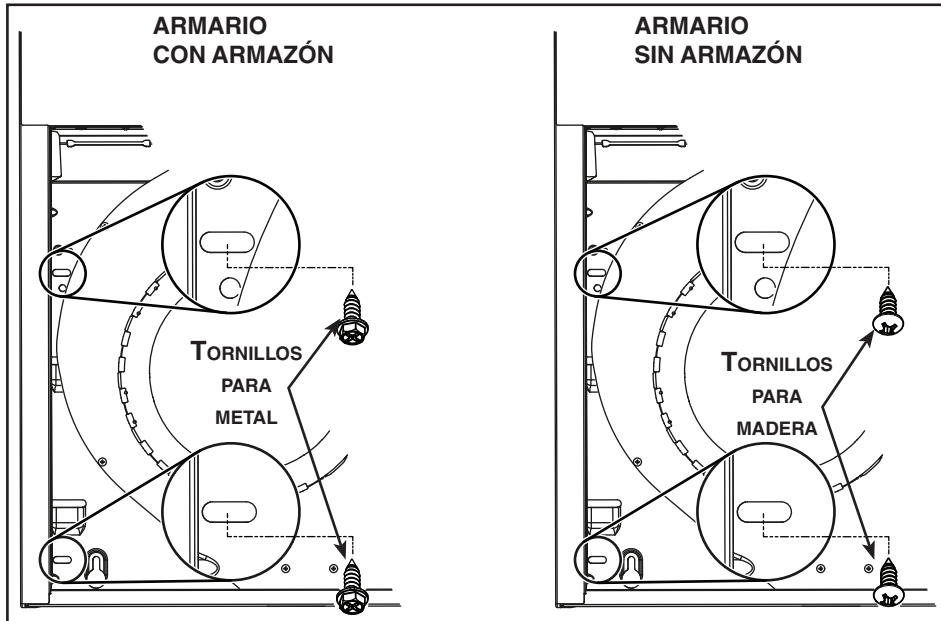
- 5 ] Cuelgue la campana a los soportes usando los dos (2) ORIFICIOS DELANTEROS rebajados (**C** y **D**). **Mientras sujeta la campana**, apriete una descarga de presión adecuada de 1/2" de diámetro (no incluida) al cable de alimentación, después inserte la descarga de presión en el orificio punzonado.

### INSTALACIÓN CON CONDUCTOS ÚNICAMENTE

- 6 ] Conecte los conductos a la campana y use cinta adhesiva metálica para sellar las juntas. Asegúrese de que el conjunto de la clapeta (o la placa del conducto redondo) entra en el conducto y que la clapeta se abre y se cierra sin dificultad.

NOTA: Refiérase a la página siguiente para las últimas etapas de estas instrucciones.

- 7] **En los armarios con armazón**, sujete la campana a los soportes EZ1 por medio de los (4) tornillos para metal no 8-18 x 1/2" (los tornillos vienen en la bolsa de piezas). Introduzca (2) tornillos en cada lado, en las ranuras (como se ve en los detalles de la ilustración de abajo).
- 8] **En los armarios sin armazón**, sujete la campana al armario por medio de los (4) tornillos de cabeza redonda para madera no 8 x 5/8" (los tornillos vienen en la bolsa de piezas). Introduzca (2) tornillos en cada lado, en las ranuras (como se ve en los detalles de la ilustración de abajo).

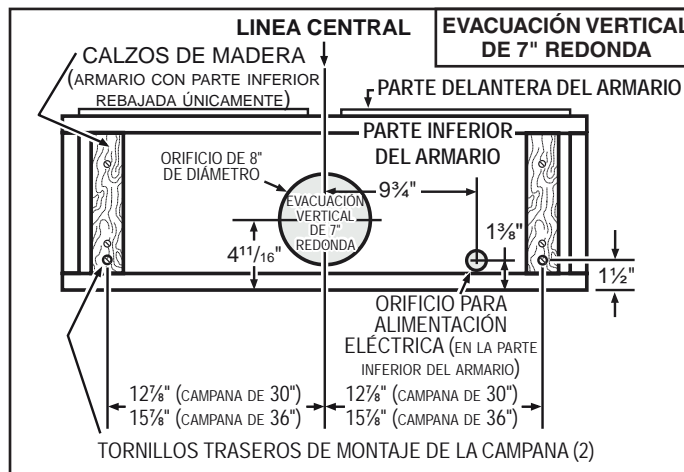
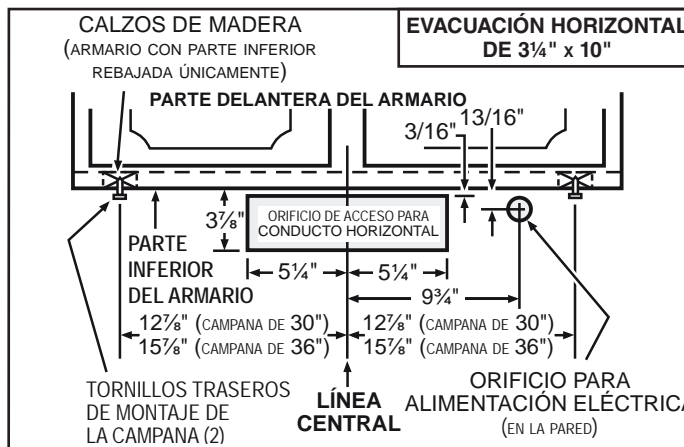
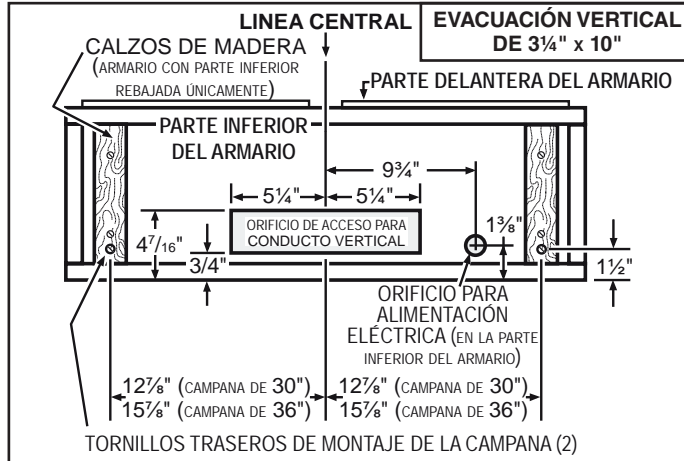


- 9] Sujete el cable de alimentación a la campana por medio de la descarga de presión.



### Instalación normal (sin soportes EZ1)

- 1 ] Use el diagrama adecuado de abajo para colocar los conductos y la alimentación eléctrica en el armario o en la pared. Para una instalación sin conductos, NO corte el orificio de acceso al conducto; corte sólo el orificio para el cableado eléctrico.

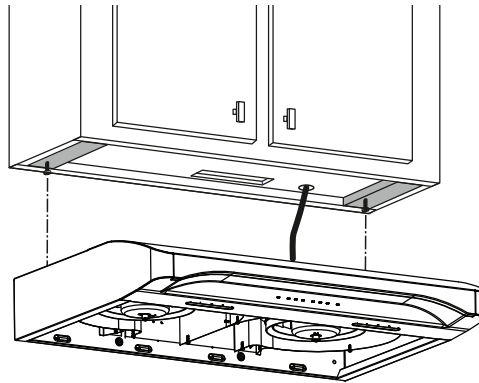


- 2 ] Instale parcialmente dos (2) tornillos de montaje de CABEZA REDONDA no 8 x 5/8" en el calzo o en el armario, de acuerdo con el diagrama adecuado de arriba. Los otros dos tornillos de CABEZA REDONDA no 8 x 5/8" estarán utilizados mas tarde. (Los tornillos de montaje vienen en la bolsa de piezas, pero los calzos de madera y los tornillos de montaje de los calzos no están incluidos).

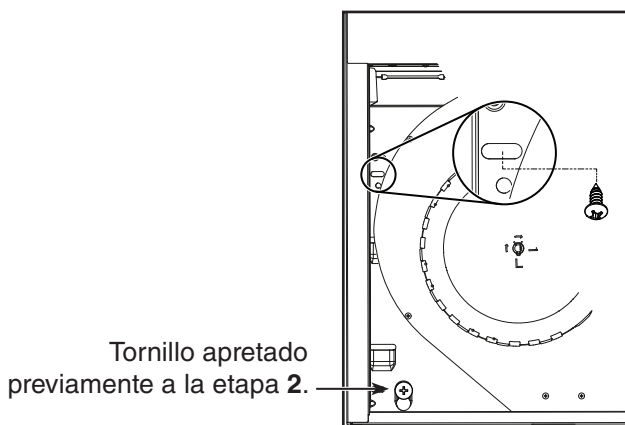
## Instale la campana (Instalación normal)

**NOTA:** Debido al peso de esta campana, se aconseja que la instalen dos instaladores.

- 1 ] Lleve el cable de alimentación de la vivienda del tablero de servicio al lugar de la campana. Si el orificio de acceso del cable alimentación de la campana este en su parte trasera, lleve el cable de alimentación de la vivienda a la campana a través de la descarga de presión instalada previamente en la etapa 6 en la página 11. Si el orificio del cable alimentación de la campana este en su parte superior, sujete una descarga de presión adecuada de 1/2" de diámetro (no incluida) al cable de alimentación antes de insertar este descarga de presión a través el orificio y sujete el cable de alimentación a la campana.
- 2 ] Cuelgue la campana de los dos (2) tornillos de montaje instalados previamente. Coloque de nuevo la campana contra la pared hasta que las cabezas de los tornillos de montaje se introduzcan en el extremo estrecho de las ranuras de los orificios en forma de cerradura en la parte superior de la campana. Apriete los tornillos firmemente y agarrar la campana hasta que la etapa 3 esta terminada.



- 3 ] Sujete la campana al armario por medio de dos tornillos de montaje de CABEZA REDONDA no 8 x 5/8" (los tornillos vienen en la bolsa de piezas). Introduzca (1) tornillo en cada lado, en las ranuras (como se ve en el detal de la ilustración de abajo). Sujete el cable de alimentación a la campana usando la descarga de presión.



**PARTE TRASERA DE LA CAMPANA**

### INSTALACIÓN CON CONDUCTOS ÚNICAMENTE

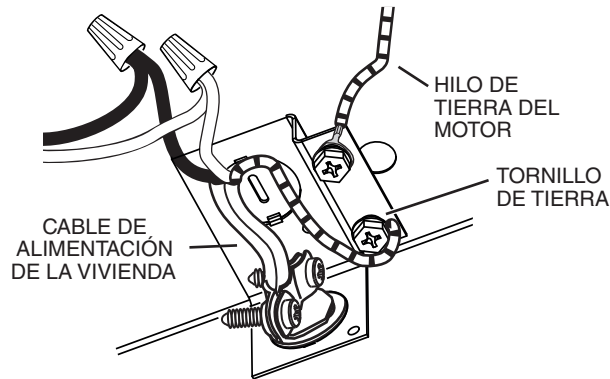
- 4 ] Conecte los conductos a la campana y use cinta adhesiva metálica para sellar las juntas. Asegúrese de que el conjunto de la clapeta (o la placa del conducto redondo) entra en el conducto y que la clapeta se abre y se cierra sin dificultad.

## Conecte el cableado

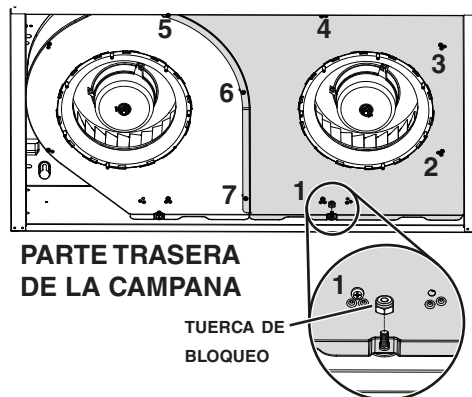
### **ADVERTENCIA**



**Riesgo de descarga eléctrica. El cableado eléctrico debe hacerlo personal cualificado de acuerdo con los códigos y normas aplicables. Antes de conectar los hilos, corte la corriente en el tablero de servicio y bloquee éste para evitar que se ponga en marcha accidentalmente.**



- 1 ] Conecte el cable de alimentación de la vivienda al cableado de la campana: El hilo NEGRO con el NEGRO, el BLANCO con el BLANCO y el VERDE o el hilo pelado con el tornillo VERDE de tierra.



- 2 ] Reinstalar la placa de cubierta del ventilador (parte sombreada de la ilustración sobre) utilizando la tuerca de bloqueo y los tornillos previamente quitados en la etapa 4 en la página 10. Prestar atención a la ubicación del tornillo 1, desde el punto de vista de la parte trasera de la campana, su ubicación debe ser a la izquierda de la tuerca de bloqueo (vease el recuadro).

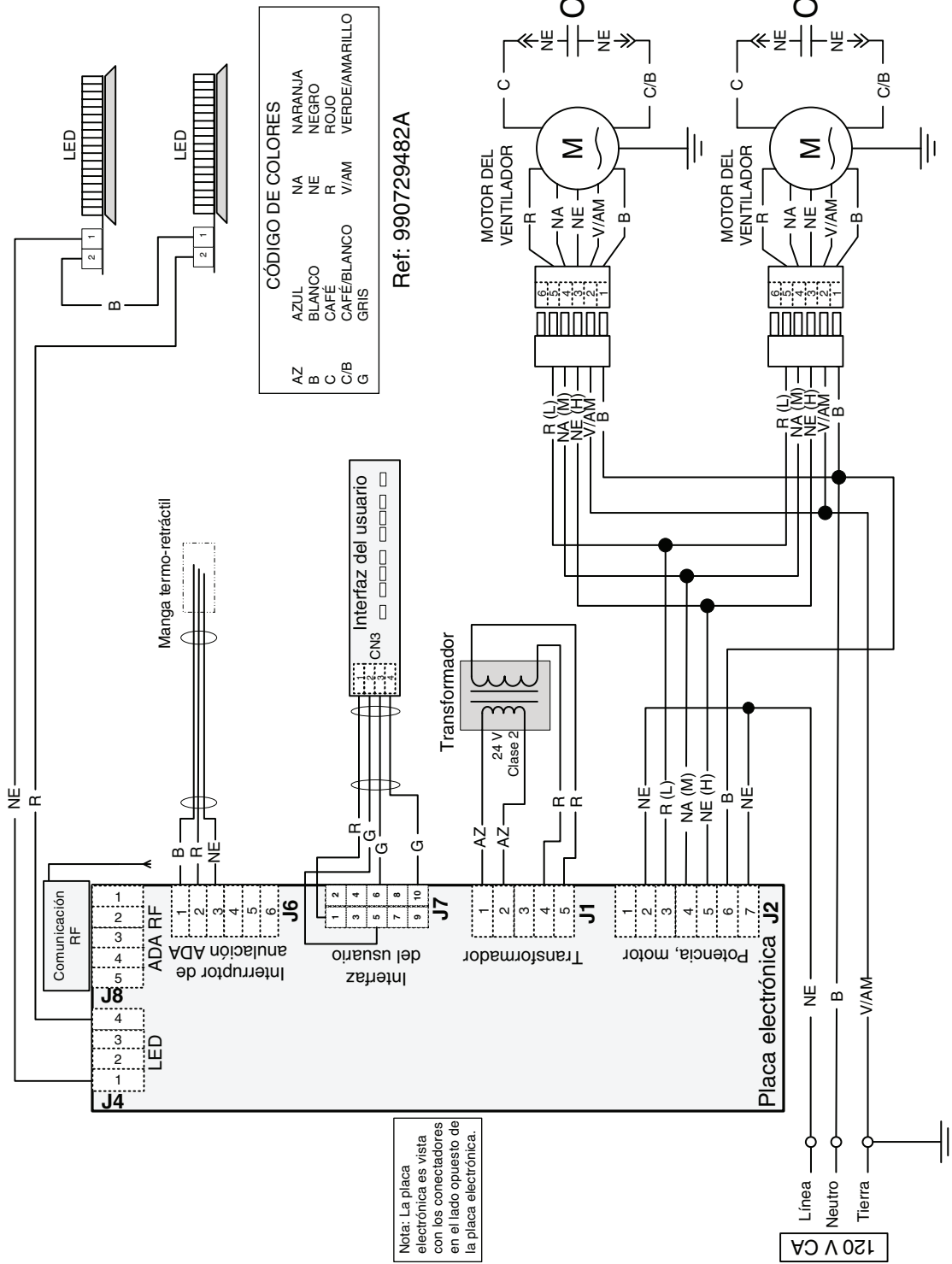
## Instale los filtros

### **Instalación con conductos únicamente:**

Vuelva a instalar los filtros de grasa que quitó en la etapa 3 , en la página 10 (sección “Prepare la campana”).

### **Instalación sin conductos únicamente:**

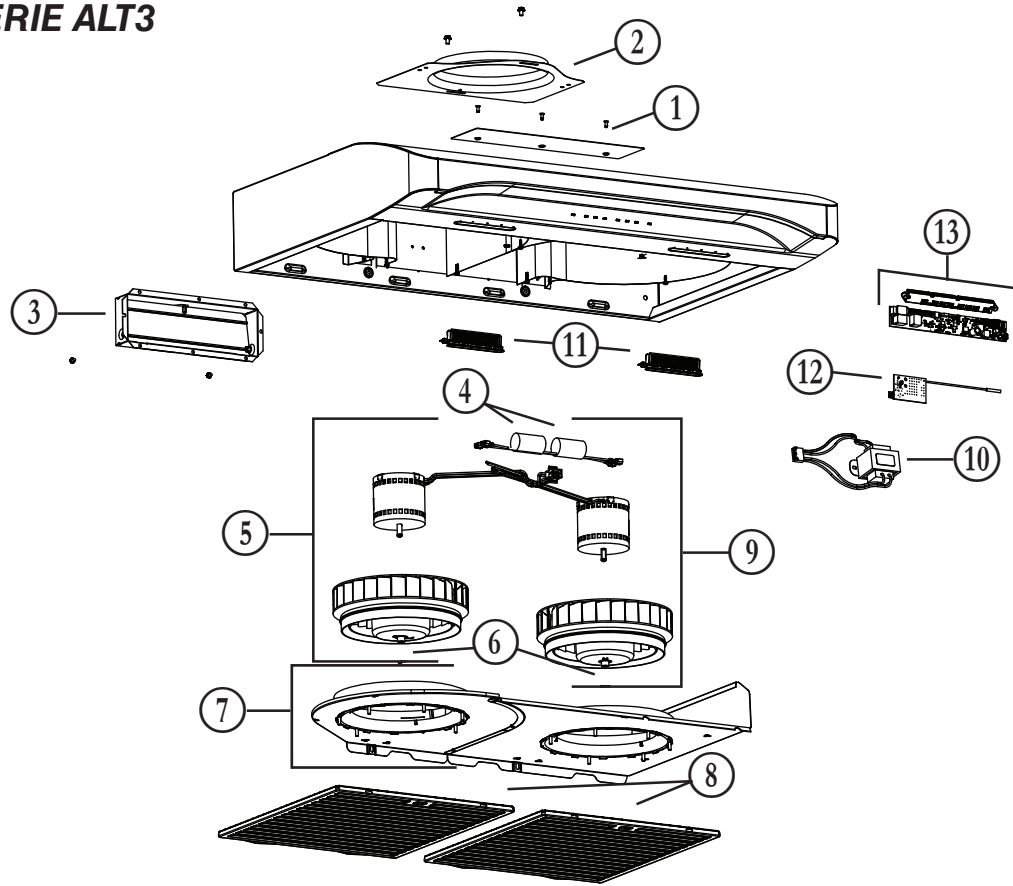
Compre dos filtros para instalación sin conductos a un distribuidor o minorista local (vea la etiqueta de especificaciones del producto para el tipo de filtro). Instale los filtros sin conductos siguiendo las instrucciones que vienen con los filtros.



# DIAGRAMA DE CABLEADO

MANUAL DE INSTALACIÓN

**SERIE ALT3**



N.º	N.º DE PIEZA	DESCRIPCIÓN	CANTIDAD	
			ACERO INOX.	
			30"	36"
1	S97020031	PLACA DE CUBIERTA DE RECIRCULACIÓN, ACERO INOX. (INCLUYE TORNILLOS)	1	1
2	SR680508	PLACA DE CONDUCTO REDONDO DE 7" (INCLUYE TORNILLOS)	1	1
3	S97020534	CONJUNTO DE CLAPETA DE 3¼" X 10" (INCLUYE TORNILLOS)	1	1
4	S97020412	CONDENSADOR (INCLUYE TIRA DE AMARRE)	2	2
5	S97021326	MONTAJE DEL VENTILADOR ROTACIÓN A DERECHA (INCLUYE N.º 4, N.º 6 Y FERRERIA DE MONTAJE)	1	1
6	SR99420635	CLIP DE LA HÉLICE	2	2
7	S97021339	PLACAS DE CUBIERTA DE LOS VENTILADORES (CON AROS DE ENTRADA DE AIRE)	1	1
8	S97020204-002	FILTRO DE GRASA - HÍBRIDO - TIPO C5 (JUEGO DE 2)	1	
	S97020204-003	FILTRO DE GRASA - HÍBRIDO - TIPO D5 (JUEGO DE 2)		1
9	S97021327	MONTAJE DEL VENTILADOR ROTACIÓN A IZQUIERDA (INCLUYE N.º 4, N.º 6 Y FERRERIA DE MONTAJE)	1	1
10	S97021392	ENSAMBLAJE DEL TRANSFORMADOR 24 V 18 VA (INCLUYE TORNILLOS)	1	1
11	S97020444	MÓDULO DE LED (JUEGO DE 2)	1	1
12	S97020442	COMUNICACIÓN RF	1	1
13	S97020441	CONTROL CON SENSORES TÁCTILES INFRARROJOS	1	1
*	S97020454	HARNÉS DE HILOS	1	1
*	S97020360	BOLSA DE PIEZAS, INCLUYE: 4 TORNILLOS PARA METAL N.º 8-18 X 1/2", 6 TORNILLOS DE CABEZA REDONDA PARA MADERA N.º 8 X 5/8", 6 TORNILLOS EMBUDITOS PARA MADERA N.º 8 X 1/2"	1	1
*	S97020466	FILTRO DE RECIRCULACIÓN - TIPO Xc (JUEGO DE 2) (INSTALACIÓN SIN CONDUCTOS ÚNICAMENTE)	1	
*	S97020467	FILTRO DE RECIRCULACIÓN - TIPO Xd (JUEGO DE 2) (INSTALACIÓN SIN CONDUCTOS ÚNICAMENTE)		1
*	S99527587	JUEGO DE SUJETADORES PARA FILTROS DE CARBÓN - INCLUYE 4 SUJETADORES	1	1
*	S97020470	EQUIPO PARA FÁCIL INSTALACIÓN (INCLUYE TORNILLOS)	1	1

\* ÍTEM NO MOSTRADO.

**REPUESTOS Y REPARACIONES**

Para que el aparato esté en buenas condiciones, use sólo repuestos genuinos Broan-NuTone LLC o Venmar Ventilation ULC. Los repuestos genuinos Broan-NuTone LLC o Venmar Ventilation ULC están diseñados especialmente para cada unidad y han sido fabricados para responder a las normas de certificación aplicables y mantener un alto nivel de seguridad. Los repuestos de otros fabricantes pueden dañar seriamente el aparato y reducir drásticamente su nivel de rendimiento, lo cual podría causar una falla prematura. Broan-NuTone LLC y Venmar Ventilation ULC recomiendan comunicar con un centro de servicios autorizado para todos los repuestos y reparaciones.

### Garantía limitada

**Periodo y exclusiones de la garantía:** Broan-NuTone LLC o Venmar Ventilation ULC (sea esta la “Compañía”) garantiza al consumidor comprador original de su producto (“usted”) que el producto (el “Producto”) estará libre de defectos en materiales o en mano de obra, por un periodo de un (1) año a partir de la fecha de compra original (o por un periodo mayor según sea requerido por la legislación aplicable). Para las campanas equipadas con módulos LED, la Compañía garantiza que los módulos LED y el controlador de los módulos LED estarán libres de defectos materiales por un periodo de tres (3) años a partir de la fecha de compra original. El periodo de garantía limitada para cualquier pieza de repuesto proporcionada por la compañía y para cualquier Producto reparado o reemplazado bajo esta garantía limitada debe ser lo que reste del periodo de garantía original (o por un periodo mayor según sea requerido por la legislación aplicable).

Esta garantía no cubre arrancadores de lámparas fluorescentes, tubos, bombillas de halógeno e incandescentes, fusibles, filtros, conductos, tapas de techo, tapas de pared ni otros accesorios que pudieran ser comprados por separado e instalados con el producto. Esta garantía tampoco cubre (a) mantenimiento y servicio normal, (b) uso y desgaste normal, (c) Productos o piezas sujetos a mal uso, abuso, uso anormal, negligencia, accidente, mantenimiento inadecuado o insuficiente, almacenamiento o reparación (que no sea reparación por parte de la Compañía), (d) daños causados por instalación defectuosa, o bien instalación o uso contrario a las recomendaciones o instrucciones, (e) cualquier Producto que se haya movido de su punto de instalación original, (f) daños ocasionados por el medio ambiente o los elementos naturales, (g) daños en tránsito, (h) desgaste natural del acabado, (i) Productos en uso comercial o no residencial, o (j) daños ocasionados por incendio, inundación u otro caso fortuito o (k) Productos con un número de serie alterado, removido o mutilado. Esta garantía cubre solamente Productos vendidos a clientes originales en los Estados Unidos y Canadá por la Compañía o a distribuidores de EE. UU. y Canadá autorizados por la Compañía. Esta garantía sustituye todas las garantías anteriores y no es transferible del comprador consumidor original.

**No hay otras garantías:** Esta garantía limitada contiene la única obligación de la Compañía y su único recurso ante productos defectuosos. Las garantías anteriores son exclusivas y en lugar de cualquier otra garantía, expresa o implícita. **LA COMPAÑÍA NIEGA Y EXCLUYE CUALQUIER OTRA GARANTÍA EXPRESA, Y NIEGA Y EXCLUYE TODAS LAS GARANTÍAS IMPLÍCITAS, CONDICIONES Y ESTIPULACIONES IMPLÍCITAS POR LEY, INCLUYENDO, ENTRE OTRAS, LAS DE COMERCIALIZACIÓN Y APTITUD PARA UN PROPÓSITO EN PARTICULAR.** Hasta el grado en que la ley aplicable prohíba la exclusión de las garantías implícitas, condiciones y estipulaciones, la duración de cualquier garantía implícita aplicable está limitada al periodo especificado para la garantía expresa antes mencionada. Algunas jurisdicciones no permiten limitaciones en la duración de una garantía implícita, así que la limitación anterior tal vez no aplique en su caso. Cualquier descripción verbal o escrita del Producto es para el único propósito de identificarlo y no deberá considerarse como una garantía expresa.

Siempre que sea posible, toda disposición de esta garantía limitada deberá ser interpretada de tal forma que sea efectiva y válida de conformidad con la ley aplicable, pero si alguna disposición fuera considerada prohibida o inválida, quedará sin efecto solo en virtud de dicha prohibición o invalidez, sin invalidar el resto de dicha disposición o las demás disposiciones restantes de la garantía limitada.

**Recurso:** Durante el periodo de garantía limitada aplicable, la Compañía, a su opción, suministrará piezas de repuesto, o reparará o reemplazará, sin cargo alguno, cualquier Producto o pieza del mismo, hasta el grado en que la Compañía lo encuentre cubierto bajo esta garantía limitada y en incumplimiento de la misma en condiciones normales de uso y servicio. La Compañía le enviará el Producto reparado o reemplazado o las piezas de repuesto sin cargo. Usted es responsable de todos los costos de retiro, reinstalación y envío, seguro u otros cargos de flete incurridos en el envío del Producto o pieza a la Compañía. Si debe enviar el Producto o la pieza a la Compañía, tal como lo indique la Compañía, debe empaquetar adecuadamente el Producto o la pieza: la Compañía no se hace responsable por los daños en tránsito. La Compañía se reserva el derecho de utilizar Productos o piezas reacondicionados, renovados, reparados o refabricados en el proceso de reemplazo o reparación de garantía. Dichos Productos y piezas serán comparables en función y desempeño a un Producto o una pieza original y tendrán garantía durante el resto del periodo de la garantía original (o por un periodo mayor según sea requerido por la legislación aplicable).

La Compañía se reserva el derecho, a su sola discreción, a devolver el dinero que pagó por el Producto en lugar de la reparación o sustitución. Si el producto o componente ya no está disponible o esta discontinuado, el reemplazo podrá ser efectuado por un producto similar de igual o mayor valor, a criterio exclusivo de la Compañía. Este es su único y exclusivo recurso por incumplimiento de esta garantía limitada.

**Exclusión de daños: LA OBLIGACIÓN DE LA COMPAÑÍA DE SUMINISTRAR PIEZAS DE REPUESTO, O DE REPARAR O REEMPLAZAR, A OPCIÓN DE LA COMPAÑÍA, SERÁ SU ÚNICO Y EXCLUSIVO RECURSO BAJO ESTA GARANTÍA LIMITADA, Y LA ÚNICA Y EXCLUSIVA OBLIGACIÓN DE LA COMPAÑÍA. LA COMPAÑÍA NO SERÁ RESPONSABLE POR DAÑOS INCIDENTALES, INDIRECTOS, RESULTANTES O ESPECIALES QUE SURJAN POR EL USO O DESEMPEÑO DEL PRODUCTO, O EN RELACIÓN CON EL MISMO.** Los daños incidentales incluyen pero no se limitan a daños tales como pérdida de uso. Los daños consecuentes incluyen pero no se limitan a los gastos de reparación o sustitución de otra propiedad que fue dañada si el Producto no funcionase apropiadamente.

LA COMPAÑÍA NE SERÁ RESPONSABLE ANTE USTED, NI NINGÚN DERECHO HABIENTE, DE CUALQUIER OTRA OBLIGACIÓN O RESPONSABILIDAD INCLUYENDO, PERO NO LIMITADO A, OBLIGACIONES O RESPONSABILIDADES DERIVADAS DEL INCUMPLIMIENTO DE CONTRATO O GARANTÍA, NEGLIGENCIA U OTRO AGRAVIO O CUALQUIER TEORÍA DE RESPONSABILIDAD OBJETIVA, CON RESPECTO AL PRODUCTO O ACTOS U OMISIONES DE LA COMPAÑÍA DE CUALQUIER OTRA FORMA.

Algunas jurisdicciones no permiten la exclusión o limitación de daños incidentales o resultantes, por lo que la limitación antes mencionada podría no aplicarse a usted. Esta garantía le otorga derechos legales específicos, y usted podría tener otros derechos que varían de jurisdicción a jurisdicción. Las aclaraciones, exclusiones y limitaciones de responsabilidad bajo esta garantía no aplicarán en la medida que lo prohiban las leyes aplicables.

Esta garantía cubre únicamente el reemplazo o la reparación de Productos defectuosos o piezas de los mismos en la planta principal de la Compañía, y no incluye el costo del viaje para el servicio de campo ni los viáticos.

Cualquier asistencia que proporcione o procure la Compañía para usted fuera de los términos, limitaciones o exclusiones de esta garantía limitada no constituirá una renuncia a dichos términos, limitaciones o exclusiones, ni dicha asistencia extenderá o renovará la garantía. La Compañía no le reembolsará ningún gasto en el que usted haya incurrido al reparar o reemplazar cualquier Producto defectuoso, excepto los incurridos con el permiso previo por escrito de la Compañía.

**Cómo obtener el servicio cubierto por la garantía:** Para tener derecho al servicio cubierto por la garantía, usted debe (a) notificar a la Compañía a la dirección o número de teléfono que aparecen abajo en un plazo de siete (7) días después de descubrir el defecto cubierto, (b) proporcionar el número de modelo y la identificación de la pieza y (c) describir la naturaleza de cualquier defecto en el Producto o la pieza. En el momento de solicitar el servicio cubierto por la garantía, debe presentar un comprobante de la fecha de compra original. Si usted no puede presentar una copia de la garantía limitada original por escrito, entonces regirán los términos de la garantía limitada por escrito más actualizada de la compañía para su producto en particular. Las garantías limitadas por escrito más actualizadas para los productos de la Compañía se pueden encontrar en [www.broan.com](http://www.broan.com) y [www.broan.ca](http://www.broan.ca).