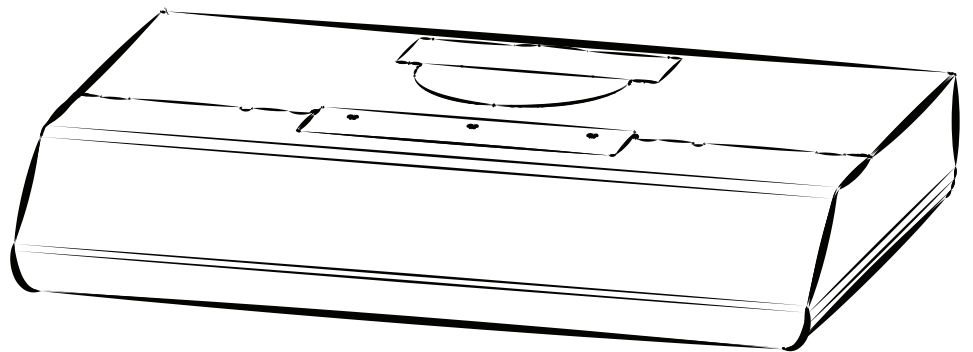


RANGE HOOD

Series: BKDD1, BKDF1, BKSA2, BKSM1, BKSR1,
CKSL1, NKDF1, NKSA2 and NKSH1

INSTALLATION, USE AND CARE MANUAL



Serial number:

Safety	3-4
Operation	5-6
Cleaning and Maintenance	7
Motor	
Grease Filter(s)	
Non-Ducted Recirculation Filter(s)	
Fan Blade	
Stainless Steel Cleaning	
Painted Finish Cleaning	
Installation	8-23
Recommended Tools	
and Accessories for Installation	8
Install Ductwork (Ducted Installations Only) ...	8
Contents	9-11
Prepare the Hood	12-14
Prepare the Hood Location	15
EZ1 Person Installation	15-17
Install the Hood (EZ1 Bracket)	18-19
Standard Installation	20
Install the Hood (Standard Installation)	21
Connect the Wiring	22
Light Bulbs (BKSA2, BKSM1, BKSR1, CKSL1, NKSA2 and NKSH1 Series only)	23
Install the Filters	23
Wiring Diagrams	24-25
Service Parts	26-33
Warranty	34

READ AND SAVE THESE INSTRUCTIONS

⚠ Intended for domestic cooking only ⚠

INSTALLER: LEAVE THIS MANUAL WITH HOMEOWNER.

In U.S.A., register your product online at www.Broan-NuTone.com

In Canada, register your Broan product online at www.broan.ca

In Canada, register your NuTone product online at www.nutone.ca

WARNING



TO REDUCE THE RISK OF FIRE, ELECTRIC SHOCK, OR INJURY TO PERSONS, OBSERVE THE FOLLOWING:



- Use this unit only in the manner intended by the manufacturer. If you have questions, contact the manufacturer at the address or telephone number listed in the warranty.
- Before servicing or cleaning unit, switch power off at service panel and lock the service disconnecting means to prevent power from being switched on accidentally. When the service disconnecting means cannot be locked, securely fasten a prominent warning device, such as a tag, to the service panel.
- Installation work and electrical wiring must be done by a qualified person(s) in accordance with all applicable codes and standards, including fire-rated construction.
- Sufficient air is needed for proper combustion and exhausting of gases through the flue (chimney) of fuel burning equipment to prevent backdrafting. Follow the heating equipment manufacturer's guidelines and safety standards such as those published by the National Fire Protection Association (NFPA) and the American Society for Heating, Refrigeration and Air Conditioning Engineers (ASHRAE) and the local code authorities.
- When cutting or drilling into wall or ceiling, do not damage electrical wiring and other hidden utilities.
- Ducted fans must always be vented to the outdoors.
- Do not use this unit with any additional solid-state speed control device.
- To reduce the risk of fire, use only metal ductwork.
- This unit must be grounded.
- As an alternative, this product may be installed with the UL-approved cord kit designated for the product, following instructions packed with the cord kit.
- When applicable local regulations comprise more restrictive installation and/or certification requirements, the aforementioned requirements prevail on those of this document and the installer agrees to conform to these at his own expense.

! WARNING



TO REDUCE THE RISK OF A RANGE TOP GREASE FIRE:

- a) Never leave surface units unattended at high settings. Boilovers cause smoking and greasy spillovers that may ignite. Heat oils slowly on low or medium settings.
- b) Always turn hood ON when cooking at high heat or when flambing food (i.e.: Crêpes Suzette, Cherries Jubilee, Peppercorn Beef Flambé).
- c) Clean ventilating fan frequently. Grease should not be allowed to accumulate on fan, filters or in exhaust ducts.
- d) Use proper pan size. Always use cookware appropriate for the size of the surface element.

TO REDUCE THE RISK OF INJURY TO PERSONS IN THE EVENT OF A RANGE TOP GREASE FIRE, OBSERVE THE FOLLOWING*:

1. SMOTHER FLAMES with a close-fitting lid, cookie sheet or metal tray, then turn off the burner. BE CAREFUL TO PREVENT BURNS. IF THE FLAMES DO NOT GO OUT IMMEDIATELY, EVACUATE AND CALL THE FIRE DEPARTMENT.
2. NEVER PICK UP A FLAMING PAN — You may be burned.
3. DO NOT USE WATER, including wet dishcloths or towels — This could cause a violent steam explosion.
4. Use an extinguisher ONLY if:
 - A. You own a Class ABC extinguisher and you know how to operate it.
 - B. The fire is small and contained in the area where it started.
 - C. The fire department has been called.
 - D. You can fight the fire with your back to an exit.

* Based on "Kitchen Fire Safety Tips" published by NFPA.

! CAUTION

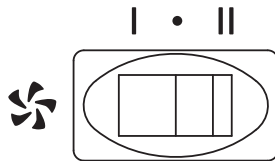
- For indoor use only.
- For general ventilating use only. Do not use to exhaust hazardous or explosive materials and vapors.
- To avoid motor bearing damage and noisy and/or unbalanced fan blade, keep drywall spray, construction dust, etc. off range hood.
- Your hood motor has a thermal overload which will automatically shut off the motor if it becomes overheated. The motor will restart when it cools down. If the motor continues to shut off and restart, have the hood serviced.
- For best capture of cooking fumes, the bottom of the hood MUST NOT BE LESS than 18" and at a maximum of 24" above the cooking surface.
- Always follows the cooking equipment manufacturer's requirements regarding the ventilation needs.
- To reduce the risk of fire and to properly exhaust air, be sure to duct air outside — Do not exhaust air into spaces within walls or ceiling or into attics, crawl space or garage.
- When installing, servicing or cleaning the unit, it is recommended to wear safety glasses and gloves.
- Please read specification label on product for further information and requirements.

Operation

Always turn your hood on before you begin cooking to establish an air flow in the kitchen. Let the blower run for a few minutes to clear the air after you turn off the range. This will help keep the whole kitchen cleaner and fresher.

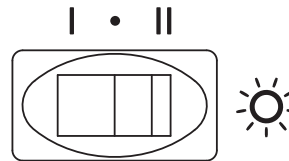
Operate the hood as follows:

BKSA2 AND NKSA2 SERIES



BLOWER SWITCH

- I Turns blower on to LOW speed.
- Turns blower OFF.
- II Turns blower on to HIGH speed.



LIGHT SWITCH

- I Turns light on in LOW intensity.
- Turns light OFF.
- II Turns light on to HIGH intensity.

BKSR1 AND NKSH1 SERIES



BLOWER SWITCH

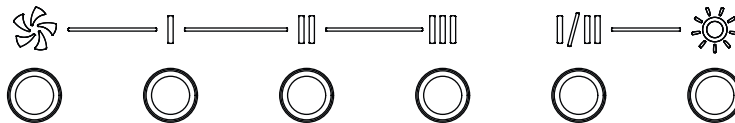
- Turns blower OFF.
- I Turns blower on to LOW speed.
- II Turns blower on to HIGH speed.



LIGHT SWITCH

- Turns light OFF.
- I Turns light on to LOW intensity.
- II Turns light on to HIGH intensity.

BKSM1 AND CKSL1 SERIES



ON/OFF BLOWER PUSH BUTTON

When blower is OFF, push this button to turn ON the blower at the last selected speed. Push this button again to turn OFF the blower.

NOTE: If there is no speed selected (all blower speed push buttons up), the blower will not turn ON. In that case, press on the desired speed level push button to activate the blower.

BLOWER SPEED LEVEL PUSH BUTTONS

When blower is ON, change the blower speed by pressing the push button corresponding to the desired speed: one line for LOW, two lines for MEDIUM and three lines for HIGH speed.

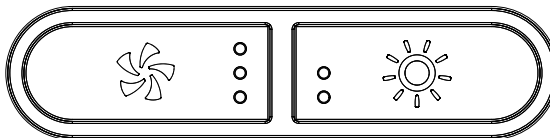
ON/OFF LIGHT PUSH BUTTON

When lights are OFF, push once on this button to turn ON the lights at the last selected setting. Push this button again to turn OFF the lights.

LIGHT INTENSITY LEVELS PUSH BUTTON

Push this button to change the light intensity (HIGH or LOW).

BKDD1, BKDF1 AND NKDF1 SERIES



BLOWER BUTTON

When blower is OFF, press this button to turn ON the blower at the last saved speed. If there was no speed saved, the blower will be set on LOW speed.

NOTE: When LOW speed is activated from OFF, the blower starts on MEDIUM speed for a very short lapse of time, and then resume to LOW speed.

To change the blower speed, press on this button again until the desired speed is reached (from LOW to MEDIUM to HIGH speed to OFF). Each time a blower speed is activated, a beep is heard and LED indicators light up to show the corresponding speed chosen (lower LED for LOW speed, lower and center LEDs for MEDIUM speed and all LEDs for HIGH speed).

When blower is on (no matter the speed level), press and hold this button until the beep sound ends; this will turn off the blower and save this blower speed to memory.

LIGHT BUTTON

When lights are OFF, press once on this button to turn ON the lights at the last saved setting. If there was no light setting saved, the lights will be set on LOW intensity. Press another time to set the lights on HIGH intensity. Pressing another time after the HIGH setting will turn OFF the lights. Each time the lights are turned ON, a beep is heard and LED indicators light up to show the corresponding intensity chosen (lower LED for LOW and both LEDs for HIGH).

When lights are on (no matter the lighting level), press and hold this button until the beep sound ends; this will turn off the lights and save the chosen light intensity.

The LED modules included with this hood are the latest in LED cooktop illumination technology specially designed to operate in the elevated temperatures of cooking - offering bright lighting and lasting up to 25 times as long as a standard bulb and greater reliability than typical replacement LED bulbs.

FILTER CLEANING REMINDER

When it is time to clean the hood and filters (refer to Cleaning and Maintenance on page 7), the 3 blower button LED indicators will flash slowly for 30 seconds after turning the blower OFF. This will happen every time the blower is turned OFF until the filter cleaning reminder has been reset. Once the cleaning is done, reset the filter cleaning reminder indicators by pressing on blower button for 3 seconds during the 30 seconds the 3 blower button LED indicators flash slowly.

Cleaning and Maintenance

Proper maintenance of the Range Hood will assure proper performance of the unit.

MOTOR

The motor is permanently lubricated and never needs oiling. If the motor bearings make excessive or unusual noise, replace the motor with the exact service motor. The fan blade should also be replaced.

GREASE FILTER(S)

The grease filter(s) should be cleaned frequently. Use a warm dishwashing detergent solution. Clean all-metal filters using a non-phosphate detergent. Discoloration of the filters may occur if using phosphate detergents, or as a result of local water conditions - but this will not affect filter performance. This discoloration is not covered by the warranty.

NON-DUCTED RECIRCULATION FILTER(S)

The non-ducted recirculation filter(s) should be changed every 3 to 6 months. Replace more often if your cooking style generates extra grease, such as frying and wok cooking. Refer to installation instructions included with non-ducted recirculation filter(s).

FAN BLADE

The fan blade should be cleaned frequently. Use a clean cloth soaked with warm detergent solution.

STAINLESS STEEL CLEANING

Do:

- Regularly wash with clean cloth or rag soaked with warm water and mild soap or liquid dish detergent.
- Always clean in the direction of original polish lines.
- Always rinse well with clear water (2 or 3 times) after cleaning. Wipe dry completely.
- You may also use a specialized household stainless steel cleaner.

Don't:

- Use any steel or stainless steel wool or any other scrapers to remove stubborn dirt.
- Use any harsh or abrasive cleansers.
- Allow dirt to accumulate.
- Let plaster dust or any other construction residues reach the hood. During construction/renovation, cover the range hood to make sure no dust sticks to the stainless steel surface.

Avoid when choosing a detergent:

- Any cleaners that contain **bleach** will attack stainless steel.
- Any products containing: **chloride, fluoride, iodide, bromide** will deteriorate surfaces rapidly.
- Any combustible products used for cleaning such as **acetone, alcohol, ether, benzol**, etc., are highly explosive and should never be used close to a range.

PAINTED FINISH CLEANING:

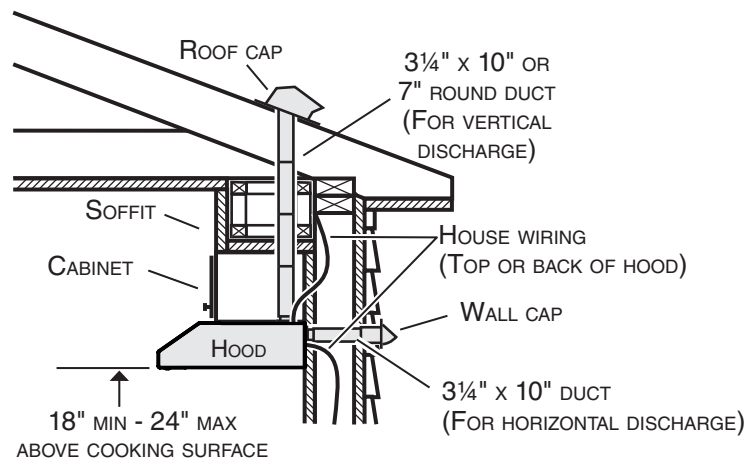
Clean with warm water and mild detergent only. If discoloration occurs, use a finish polish such as automotive polish. (DO NOT use rough abrasive cleaner or porcelain cleaner.)

For ADA compliance installation guidelines, please visit www.broan-nutone.com

Recommended Tools and Accessories for Installation

- Measuring tape
- Phillips screwdriver no. 2
- Flat blade screwdriver (to open knockout holes)
- Drill, 1/8" drill bit and 1 1/2" hole saw (to mark holes for ducting and cut electrical access hole)
- 7/64" drill bit (to drill holes for EZ1 brackets mounting screws, not for BKSA2 and NKSA2 Series)
- 7" round duct plate, only included with BKDF130SSK (for 7" round vertical ducting installation, part no.: SR680508)
- Wood shims (2) and wood screws (4) (required for standard installation to framed cabinet)
- Saw (to cut holes for ducted application)
- Sheet metal shears (ducted installation only, for duct adjustment)
- Pliers (ducted installation only, for duct adjustment)
- Metal foil duct tape (for ducted applications)
- Scissors (to cut metal foil duct tape)
- Pencil
- Wire stripper
- Strain relief, 1/2" diameter (to secure house wiring cable to the hood)

Install Ductwork (Ducted Installations Only)



NOTE: Distances over 24" are at the installer and user discretion.

- 1] Determine whether hood will discharge vertically (3 1/4" x 10" or 7" round), or horizontally (3 1/4" x 10" only).
- 2] Decide where the ductwork will run between the hood and the outdoors.
- 3] Choose a straight, short duct run to allow the hood to perform most efficiently. Long duct runs, elbows and transitions will reduce the performance of the hood. Use as few of them as possible. When possible, use at least 2 foot straight runs before any turns. Larger ductwork may be required for best performance with longer duct runs.

NOTE: To use 6" round ducting, install a 3 1/4" x 10" to 6" round transition (not included). The performances may be affected.

- 4] Install wall cap or roof cap (sold separately); ensure there is no leak in house insulation. Connect metal ductwork to cap and work back towards the hood location. Use 2" metal foil duct tape to seal the joints between ductwork sections.

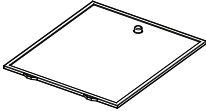
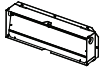
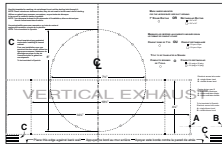





Contents

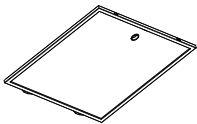

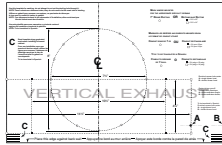






Before proceeding to the installation, check the contents of the box. If items are missing or damaged, contact the manufacturer.

Make sure that the following items are included:

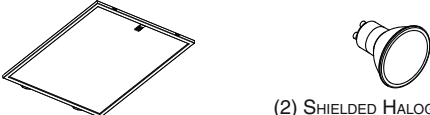
BKDF1 and NKDF1 Series

BKSM1, CKSL1 and NKSH1 Series

	
(2) GREASE FILTERS	(1) 3¼" x 10" DAMPER ASSEMBLY (FIND INSIDE OF HOOD)
EZ1 COMPONENTS	
	(1) TEMPLATE FOR DUCTING (PRINTED BOTH SIDES)
	(2) INSTALLATION BRACKETS* FOR FRAMED CABINET
	(2) INSTALLATION BRACKETS* FOR FRAMELESS CABINET
* FIND EZ1 BRACKETS ATTACHED INSIDE OF HOOD	
(1) PARTS BAG** CONTAINING:	
	(4) No. 8-18 x 1/2" METAL SCREWS
	(6) No. 8 x 5/8" RD. HD. WOOD SCREWS
	(6) No. 8 x 1/2" COUNTERSUNK WOOD SCREWS
** FIND PARTS BAG BEHIND THE DAMPER ASSEMBLY INSIDE OF HOOD	

	
(2) GREASE FILTERS	(2) SHIELDED HALOGEN BULBS (50W, GU10) (INSTALLED ON HOOD)
EZ1 COMPONENTS	
	(1) TEMPLATE FOR DUCTING (PRINTED BOTH SIDES)
	(2) INSTALLATION BRACKETS* FOR FRAMED CABINET
	(2) INSTALLATION BRACKETS* FOR FRAMELESS CABINET
* FIND EZ1 BRACKETS ATTACHED INSIDE OF HOOD	
(1) PARTS BAG** CONTAINING:	
	(1) BULB SUCTION CUP TOOL
	(4) No. 8-18 x 1/2" METAL SCREWS
	(6) No. 8 x 5/8" RD. HD. WOOD SCREWS
	(6) No. 8 x 1/2" COUNTERSUNK WOOD SCREWS
** FIND PARTS BAG BEHIND THE DAMPER ASSEMBLY INSIDE OF HOOD	

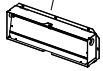
BKSR1 Series



(2) GREASE FILTERS

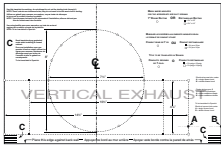
(2) SHIELDED HALOGEN BULBS
(50W, GU10)

* FIND INSIDE OF HOOD

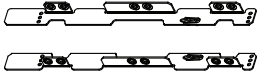


(1) 3 1/4" x 10"
DAMPER ASSEMBLY*


EZ1 COMPONENTS



(1) TEMPLATE FOR DUCTING
(PRINTED BOTH SIDES)




(2) INSTALLATION BRACKETS**
FOR FRAMED CABINET




(2) INSTALLATION BRACKETS**
FOR FRAMELESS CABINET

** FIND EZ1 BRACKETS
ATTACHED INSIDE OF HOOD


(1) PARTS BAG*** CONTAINING:




(4) No. 8-18 x 1/2"
METAL SCREWS



(6) No. 8 x 5/8"
RD. HD.
WOOD SCREWS




(6) No. 8 x 1/2"
COUNTERSUNK
WOOD SCREWS



(1) BULB SUCTION
CUP TOOL

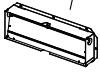
*** FIND PARTS BAG BEHIND
THE DAMPER ASSEMBLY
INSIDE OF HOOD

BKDD1 Series



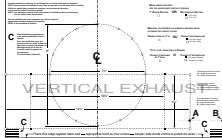
(2) GREASE FILTERS

* FIND INSIDE
OF HOOD




(1) 3 1/4" x 10"
DAMPER ASSEMBLY*

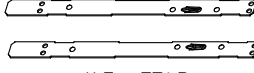
EZ1 COMPONENTS



(1) TEMPLATE FOR DUCTING
(PRINTED BOTH SIDES)




(2) INSTALLATION BRACKETS**
FOR FRAMED CABINET




(2) INSTALLATION BRACKETS**
FOR FRAMELESS CABINET

** FIND EZ1 BRACKETS ATTACHED INSIDE OF HOOD


(1) PARTS BAG*** CONTAINING:



(4) No. 8-18 x 1/2"
METAL SCREWS



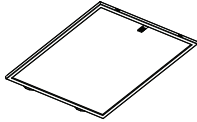
(6) No. 8 x 5/8"
RD. HD.
WOOD SCREWS




(6) No. 8 x 1/2"
COUNTERSUNK
WOOD SCREWS

*** FIND PARTS BAG BEHIND THE DAMPER ASSEMBLY INSIDE OF HOOD

BKSA2 and NKSA2 Series




(1) GREASE FILTER




(1) 3 1/4" x 10"
DAMPER ASSEMBLY
(FIND INSIDE OF HOOD)

(1) PARTS BAG* CONTAINING:



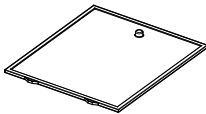
(5) No. 8 x 5/8"
RD. HD.
WOOD SCREWS




(1) BULB SUCTION
CUP TOOL

* FIND PARTS BAG BEHIND
THE DAMPER ASSEMBLY
INSIDE OF HOOD

BKDF130SSK




(2) GREASE FILTERS

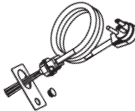


(1) 3 1/4" x 10"
DAMPER ASSEMBLY*

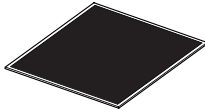
* FIND INSIDE
OF HOOD



(1) 7" ROUND
DUCT CONNECTOR

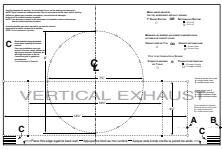


(1) CORD CONNECTION KIT

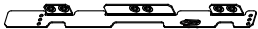


(2) NON-DUCTED FILTERS


EZ1 COMPONENTS



(1) TEMPLATE FOR DUCTING
(PRINTED BOTH SIDES)




(2) INSTALLATION BRACKETS**
FOR FRAMED CABINET




(2) INSTALLATION BRACKETS**
FOR FRAMELESS CABINET

** FIND EZ1 BRACKETS ATTACHED INSIDE OF HOOD


(1) PARTS BAG*** CONTAINING:



(4) No. 8-18 x 1/2"
METAL SCREWS



(6) No. 8 x 5/8"
RD. HD.
WOOD SCREWS



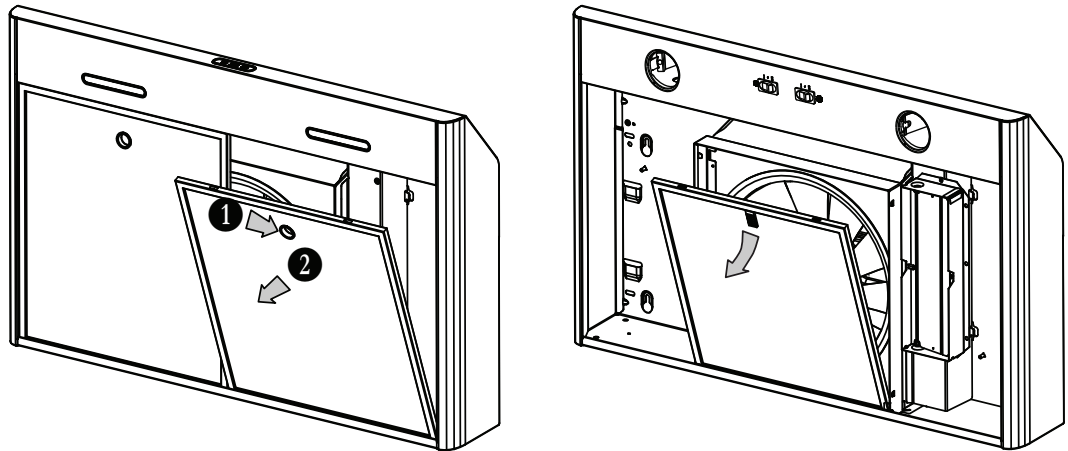
(6) No. 8 x 1/2"
COUNTERSUNK
WOOD SCREWS

*** FIND PARTS BAG BEHIND THE DAMPER ASSEMBLY INSIDE OF HOOD

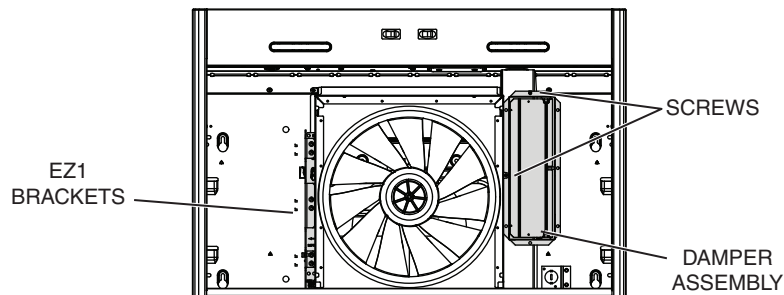
Prepare the Hood

NOTE: Since this manual covers many range hood models, some details in the following illustrations may slightly differ from your unit.

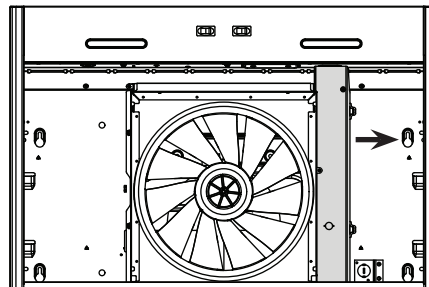
- 1] If present, remove all protective polyfilm from the hood and/or parts.
- 2] Using the finger cup or tab, remove the grease filters from the hood by pushing down ❶ and tilting filter out ❷.



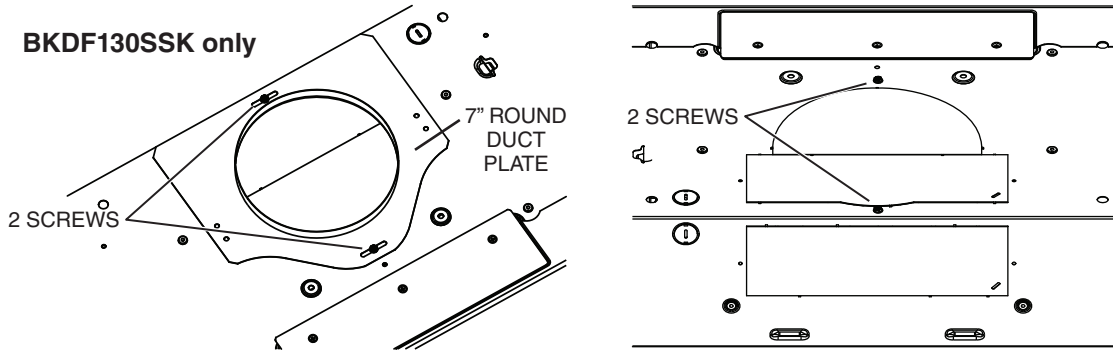
- 3] **BKDF130SSK only:** Remove the non-ducted filters and the power cord from inside the hood. Remove the EZ1 brackets from inside the hood by cutting off the tie wrap (no EZ1 brackets in BKSA2 and NKSA2 Series). Remove both screws holding damper assembly to hood. Remove parts bag (captured behind the damper assembly). Remove damper assembly from inside the hood and keep the screws for further use.



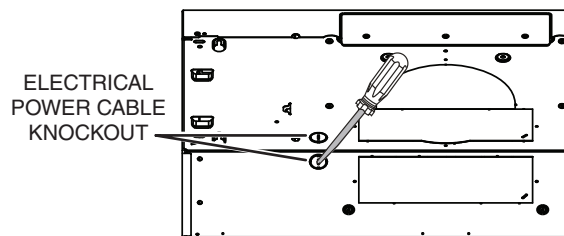
- 4] Remove the wiring cover (shaded part on illustration below) by sliding it out from the hood and set it aside.



- 5] **BKDF130SSK only:** Remove 7" Round Duct Plate from top/back of hood (see illustration below). Keep the screws for further use.
All other range hood models: Remove 2 screws from top of hood (see illustration below). Keep the screws for further use.

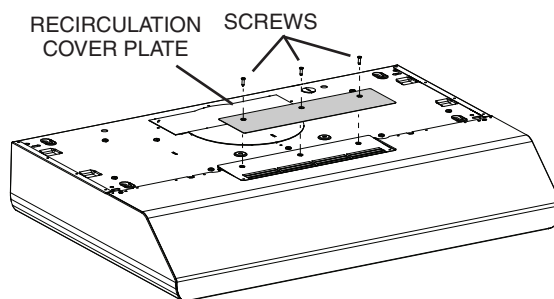


- 6] Remove Electrical Power Cable Knockout from top (vertical wiring) or back (horizontal wiring) of hood. Install an appropriate strain relief, 1/2" diameter (not included).



NON-DUCTED INSTALLATION ONLY

- 7] Remove 3 screws retaining the recirculation cover plate (shaded part in illustration below) to the hood. Discard this plate with its screws.



DUCTED INSTALLATION ONLY

- 8] Remove 3¼" x 10" vertical, 3¼" x 10" horizontal, or 7-inch round knockout plate as appropriate for your ducting method (see **FIGURES 1 A** and **1 B**).

FIGURE 1 A

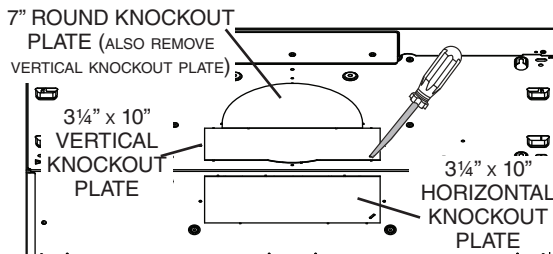
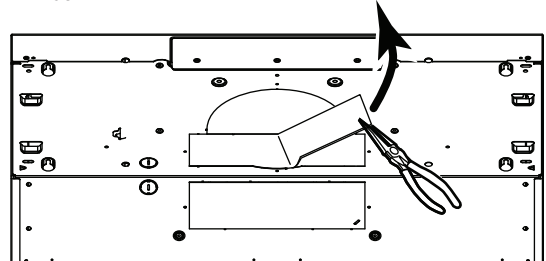


FIGURE 1 B



- 9] Attach 3¼" x 10" Damper Assembly on top OR back of hood (if using 3¼" x 10" duct; shaded part in **FIGURE 2 A** below) or 7" Round Duct Plate (if using 7-inch round duct, **FIGURE 3**) over the knockout opening. When installed, the 3¼" x 10" damper assembly must open as shown in **FIGURE 2 B**.

FIGURE 2 A

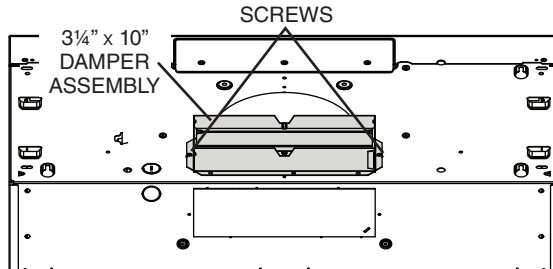


FIGURE 2 B

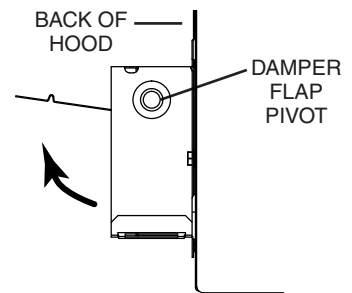
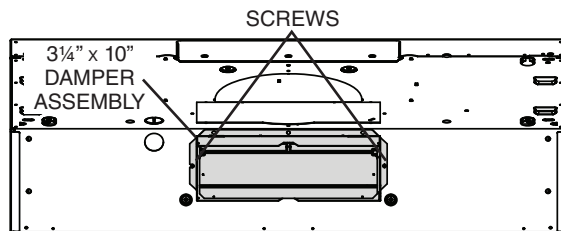
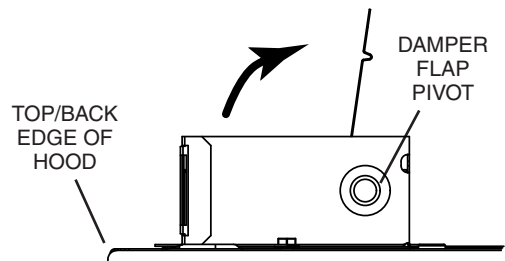
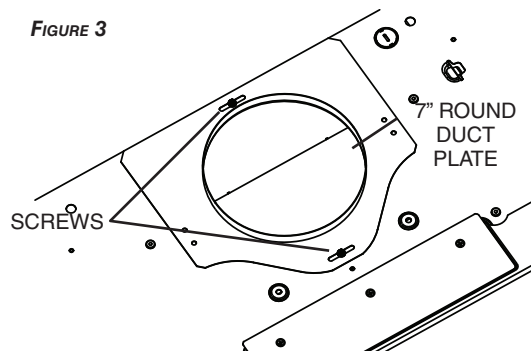


FIGURE 3

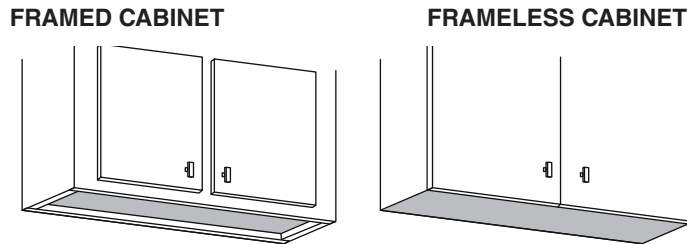


NOTE: To accommodate off-center ductwork, the 7" round duct plate can be installed up to 1/2" on either side of the hood center.

TIP: Insert a small length of duct over the 3¼" x 10" damper assembly (for rectangular ducting) or 7" round (for round ducting) and seal the joint using aluminum foil duct tape to ease connection with the house ductwork.

Prepare the Hood Location

NOTE: Before starting installation, read all the steps of these instructions.
Use the illustration below to identify your kitchen cabinet type.



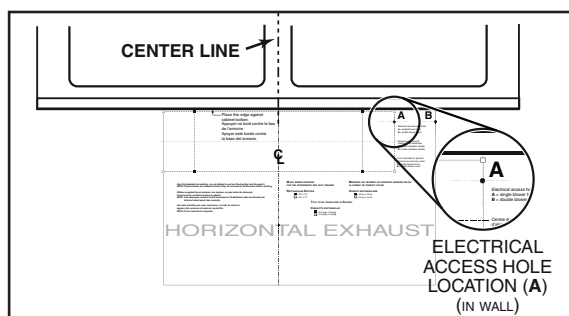
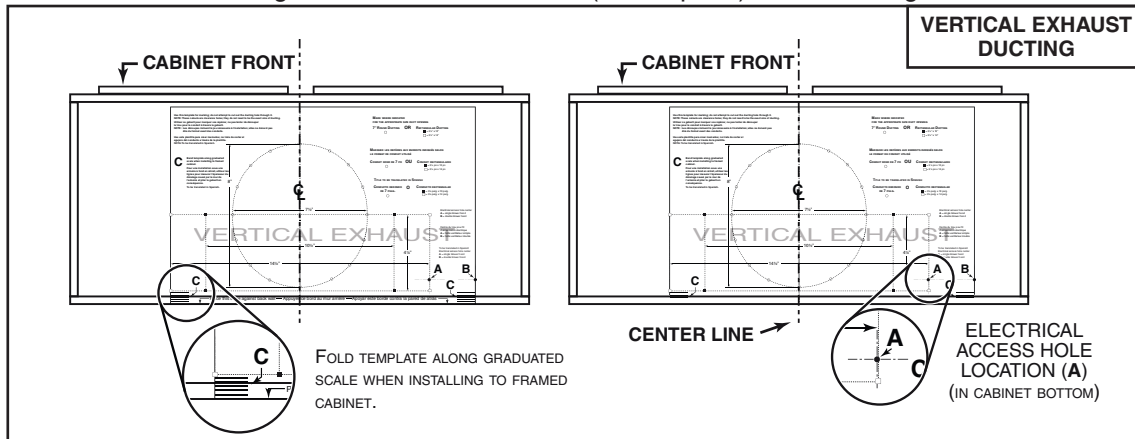
This manual covers 2 kinds of installation: the standard (without EZ1 brackets) and the EZ1 one-person installation system (using included template and brackets). Please note that the EZ1 one-person installation system is not available for the BKSA2 and NKSA2 Series. However, all Series range hoods can be installed in the standard way. For the standard installation, go to page 20.

EZ1 one-person installation system

EZ1 installation is designed for use with kitchen cabinets that have the same width designation as the range hood width. If the cabinet is greater than 1/2" wider than the range hood width, please use the standard installation method.

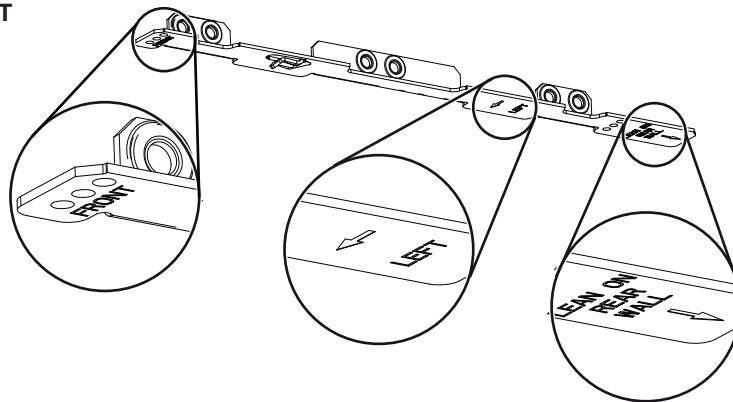
- 1] Use the proper template for vertical OR horizontal discharge (included) for placement of ductwork and electrical cutout in cabinet or wall. For a non-ducted installation, DO NOT cut a duct access hole, only cut the hole for electrical wiring. **If replacing a hood and plan to use the existing duct and electrical, steps 2 to 5 may not be necessary. If so, skip to step 6.**
- 2] Measure and mark the hood center line on cabinet bottom.
- 3] Align the center line on template with the hood center line marked on the bottom of the cabinet, placing the edge (where indicated) of the template against back wall. When using with framed cabinet for vertical exhaust installation, fold over rear edge of template equal to the depth of the cabinet frame at the wall (use graduations on template, C locations on template). Tape the template in place.

NOTE: When facing the installation, A and B (on template) must be at right.

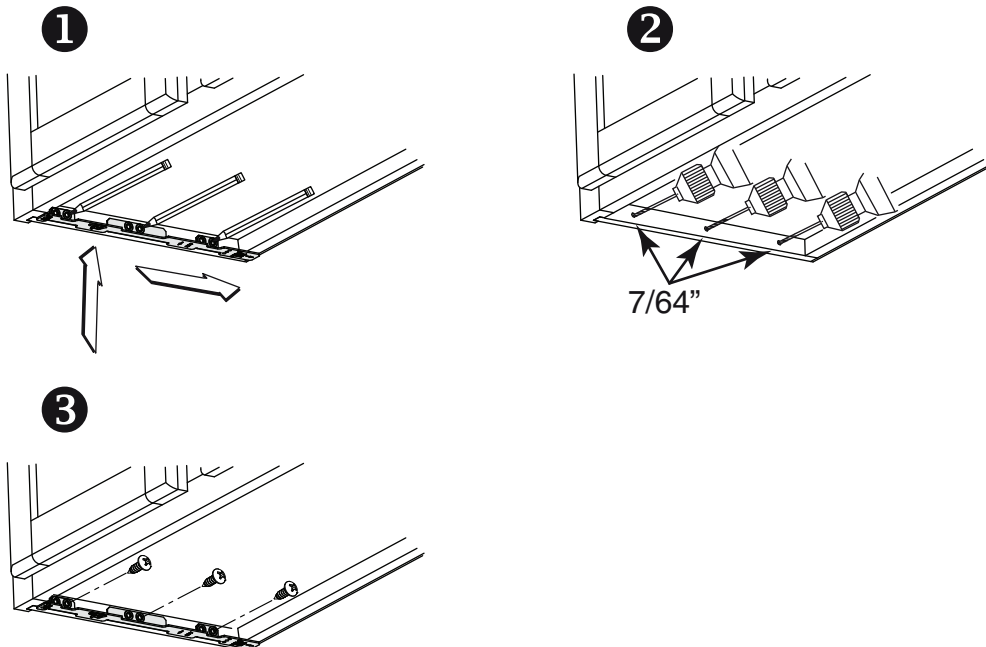


- 4] Drill a 1/8" dia. pilot hole for house wiring, at **A** location on template.
- 5] Use a sharp pencil or 1/8" drill bit to mark the locations for the appropriate duct access holes (16 locations for 7" round duct, or 4 corner locations for rectangular duct). Remove the template.
- 6] Draw the border for the exhaust ducting by linking its marks (16 for round duct and 4 for rectangular duct), then cut the opening in the cabinet bottom (vertical exhaust) or in the wall (horizontal exhaust). Drill the house wiring hole by using a 1½" hole saw centered with the pilot hole previously made in 4.
- 7] Install the proper installation brackets according to the type of cabinet (framed or frameless). See below.

FRAMED CABINET

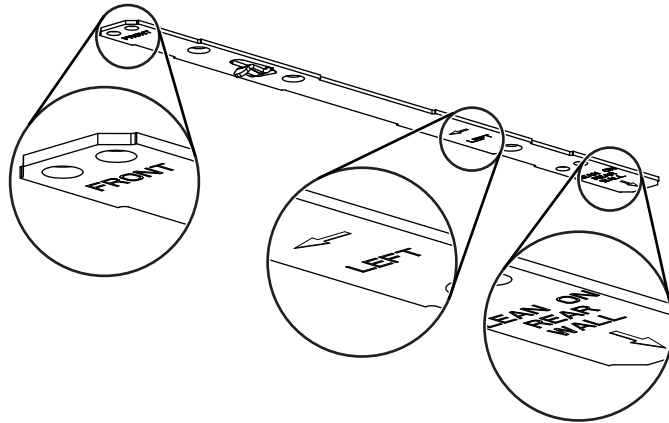


Refer to the marking on the brackets to determine the correct installation side and orientation.

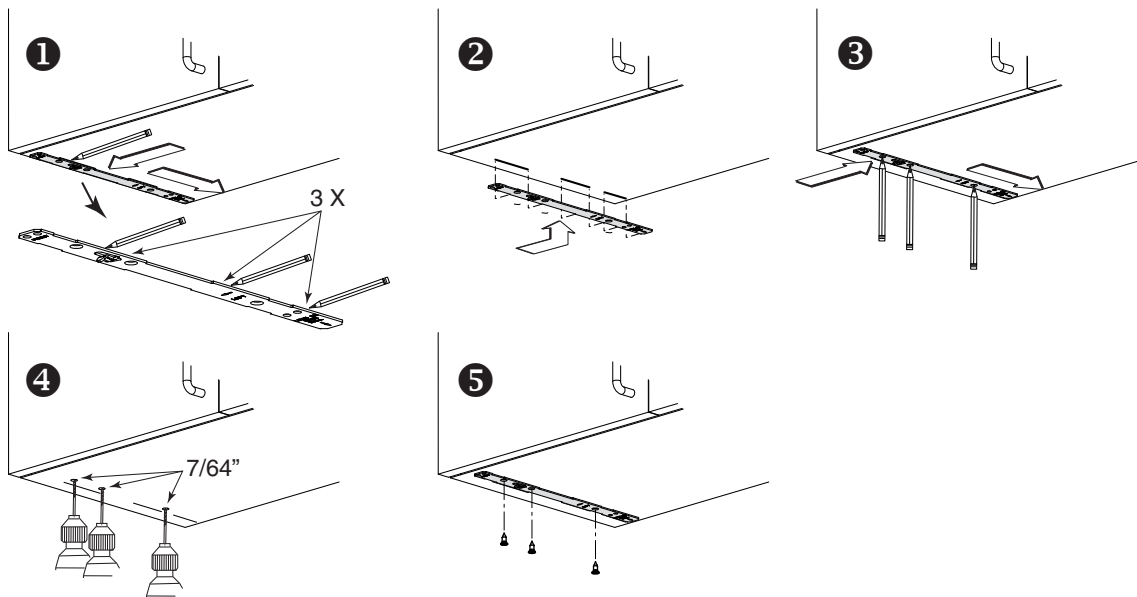


- 1] Mate the corresponding bracket to the cabinet side frame, while placing rear end of bracket against the wall. Use a pencil to mark 3 holes (there are 6 holes but only 3 are necessary).
- 2] Remove the bracket. Using a 7/64" drill bit, drill 3 holes where marked.
- 3] Assemble the bracket to the side frame using a Phillips screwdriver and 3 provided no. 8 x 5/8" wood screws. Repeat for the other side frame.

FRAMELESS CABINET



Refer to the marking on brackets to determine the correct installation side and orientation.

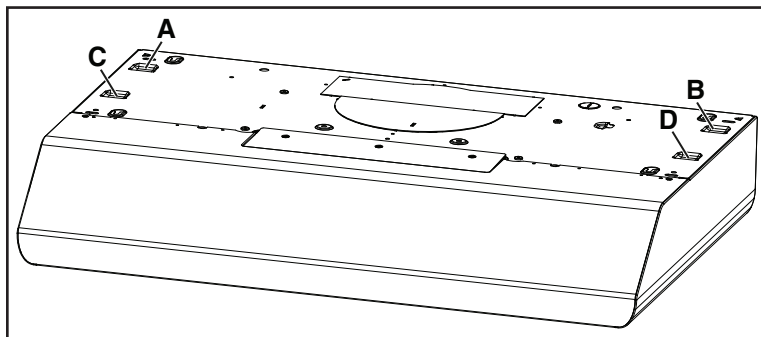


- 1 Align the corresponding bracket to the cabinet side, while placing rear end of bracket against the wall. Draw a line on the outer edge of the bracket (as shown).
- 2 Slide the bracket towards the center of cabinet and align side edge to marked line, keeping the rear end edge leaning on the wall.
- 3 Use a pencil to mark 3 holes.
- 4 Remove the bracket. Using a 7/64" drill bit, drill 3 holes where marked.
- 5 Assemble the bracket to the cabinet bottom using a Phillips screwdriver and 3 provided countersunk wood screws. Repeat for the other cabinet side.

Install the Hood (EZ1 Bracket)

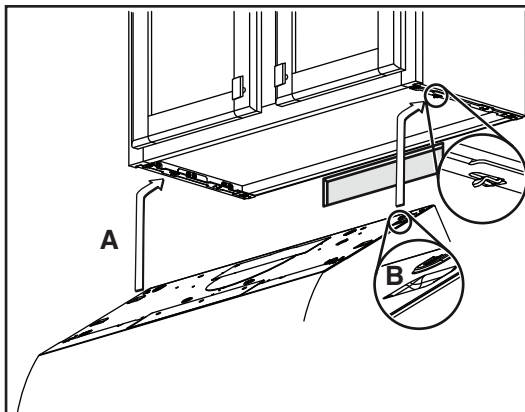
NOTE: The following procedure applies to both framed or frameless cabinet installations.

- 1] Run house power cable between service panel and hood location.
- 2] There are 2 pairs of recessed holes on each side of the top of the hood (on rear: **A** and **B**, on front **C** and **D** on illustration below); these holes allow the range hood to hang on the brackets (previously installed).



HORIZONTAL EXHAUST INSTALLATION ONLY

- 3] Temporarily hang the hood on the brackets using its 2 recessed REAR HOLES (**A** and **B**). **While holding the hood**, run the house power cable into the hood through the strain relief previously installed in step 6 on page 13.



- 4] Unhook the rear holes from the brackets and hang the hood using its 2 recessed FRONT HOLES (**C** and **D**). **While holding the hood**, attach the power cable to the hood using the strain relief.

VERTICAL EXHAUST INSTALLATION AND NON-DUCTED INSTALLATION ONLY

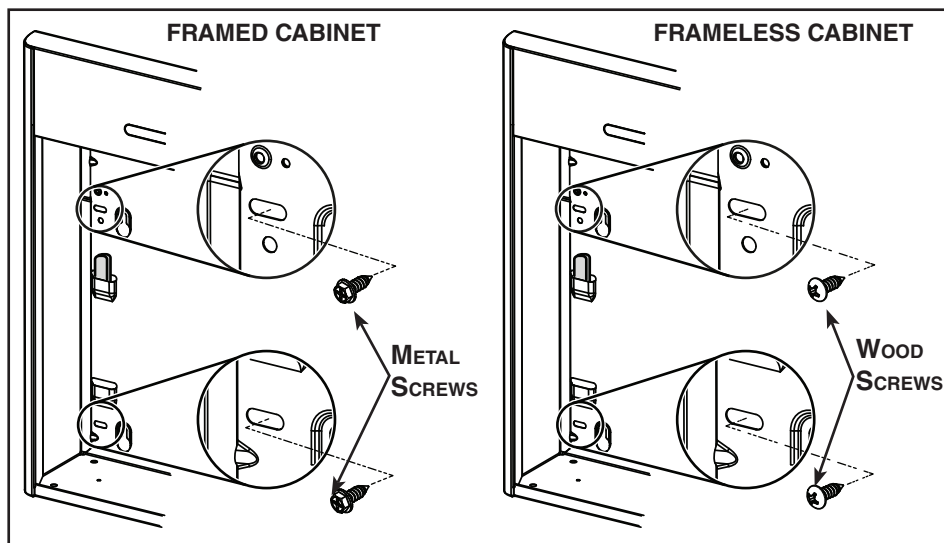
- 5] Hang the hood on the brackets using the 2 recessed FRONT HOLES (**C** and **D**). **While holding the hood**, run the house power cable into the hood through the strain relief previously installed in step 6 on page 13. Attach power cable to the hood.

DUCTED INSTALLATION ONLY

- 6] Connect the ductwork to the hood and use metal foil duct tape to make joints secure and air-tight. Make sure the damper assembly (or round duct plate) enters the ductwork and that the damper opens and closes freely.

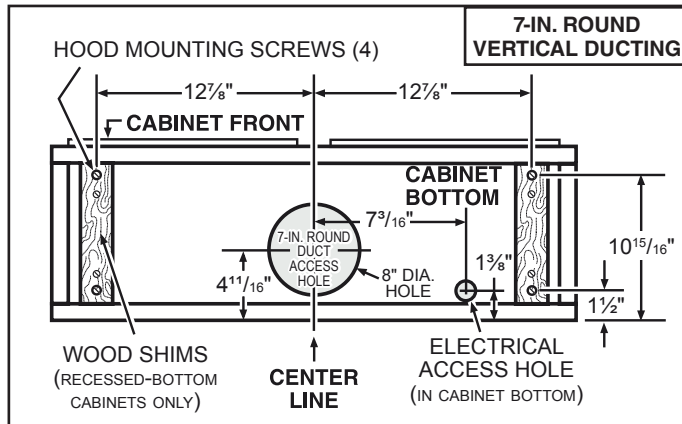
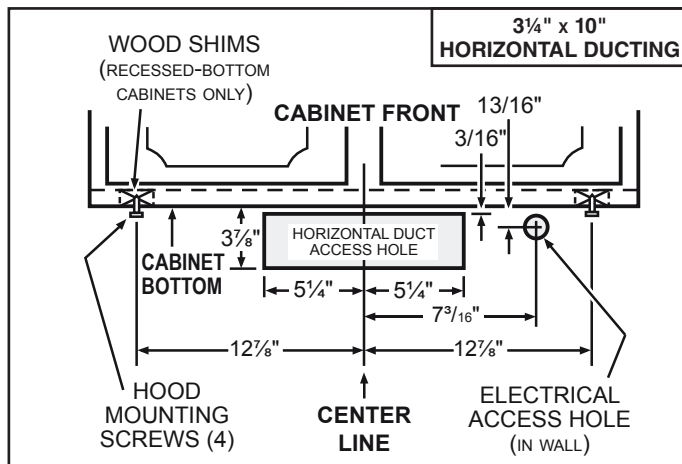
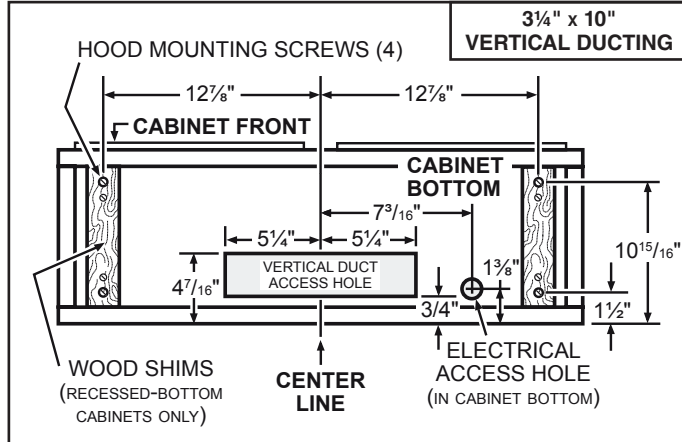
NOTE: See final installation steps on next page.

- 7] **For framed cabinet**, secure the hood to the EZ1 brackets using 4 no. 8-18 x 1/2" metal screws (included in parts bag). Insert 2 screws per side, in the slots (as shown in insets on illustration below).
- 8] **For frameless cabinet**, secure the hood to the cabinet using 4 no. 8 x 5/8" round head wood screws (included in parts bag). Insert 2 screws per side, in the slots (as shown in insets on illustration below).



Standard Installation (without EZ1 brackets)

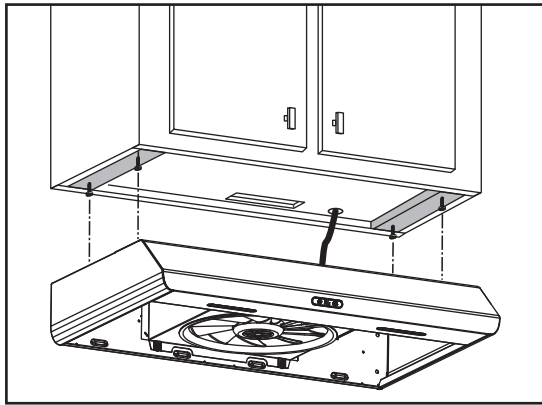
- 1] Use the proper diagram below for placement of ductwork and electrical cutout in cabinet or wall. For a non-ducted installation, DO NOT cut a duct access hole, only cut the hole for electrical wiring.



- 2] Install part-way four (4) ROUND HEAD no. 8 x 5/8" mounting screws into shims/cabinet, according to the proper diagram above. (Mounting screws are included in parts bag, but wood shims and shim mounting screws are not included).

Install the Hood (Standard Installation)

- 1] Run house power cable between service panel and hood location. Run the house power cable into the hood through the strain relief previously installed in step 6 on page 13.
- 2] Hang hood from (4) mounting screws previously installed. Slide hood back towards wall until mounting screw heads are engaged in narrow end of keyhole slots in top of hood. Tighten screws securely. Attach power cable to the hood using the strain relief.



DUCTED INSTALLATION ONLY

- 3] Connect ductwork to hood and use metal foil duct tape to make joints secure and air-tight. Make sure the damper assembly (or round duct plate) enters the ductwork and that the damper opens and closes freely.

Connect the Wiring

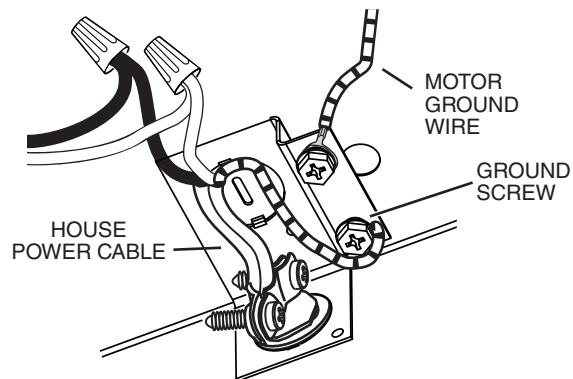
WARNING



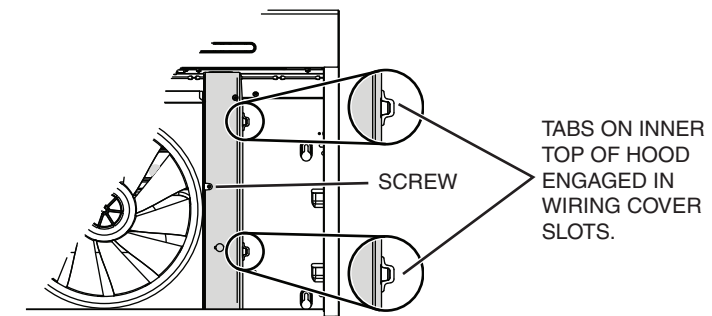
Risk of electric shock. Electrical wiring must be done by qualified personnel in accordance with all applicable codes and standards. Before connecting wires, switch power off at service panel and lock service disconnecting means to prevent power from being switched on accidentally.

NOTE: For BKDF130SSK range hood, the included cord connection kit can be used to perform the wiring. Refer to instructions packed with the cord connection kit.

NOTE: The following procedure applies to all models.



- 1] Connect House Power Cable to range hood wiring: BLACK to BLACK, WHITE to WHITE and GREEN or bare wire under GREEN ground screw.



- 2] Reinstall wiring cover and attach it to the hood using its retaining screw.

CAUTION

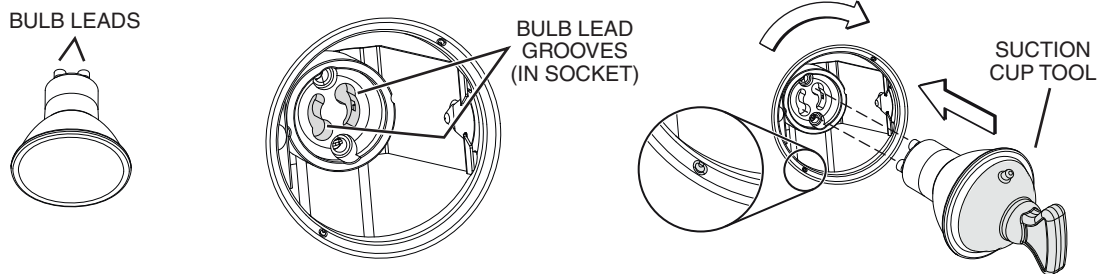
Ensure both tabs on inner top of hood are engaged in their corresponding slots in wiring cover. Also, take care not to pinch wires while reinstalling wiring cover.

Light Bulbs (BKSA2, BKSM1, BKSR1, CKSL1, NKSA2 and NKSH1 Series only)

The BKSA2, BKSM1, BKSR1, CKSL1, NKSA2 and NKSH1 Series range hoods require two shielded Halogen Bulbs (120 V, 50 W max., MR16 or PAR16 with GU10 base) (included only with BKSM1, BKSR1, CKSL1 and NKSH1 Series range hoods).

WARNING

Do not touch lamps during or soon after operation. Burns may occur. In order to prevent the risk of personal injury, only install shielded halogen lamps. Also, never install a cool beam, a dichroic lamp, a lamp not suitable for use in recessed luminaires or identified for use in enclosed fixtures.



- 1] Align the bulb leads with the small indentations located on the border of the lamp location on hood (see inset above), then install the bulbs by placing the bulb leads into their grooves in the socket.
- 2] Gently push upwards and turn clockwise until secure.

NOTE: The Suction Cup Tool (included with hood) can be used to install and remove light bulbs. Press suction cup tool on bulb and rotate counterclockwise to remove bulb or clockwise to install bulb.

CAUTION

Most GU10 LED replacement bulbs commonly found in the market are not designed for use in a cooking environment and might not perform as advertised. Their usage with this product is not recommended.

Install the Filter(s)

Ducted Installation Only:

Re-install grease filter(s) removed in step 2 on page 12, under “Prepare the Hood”

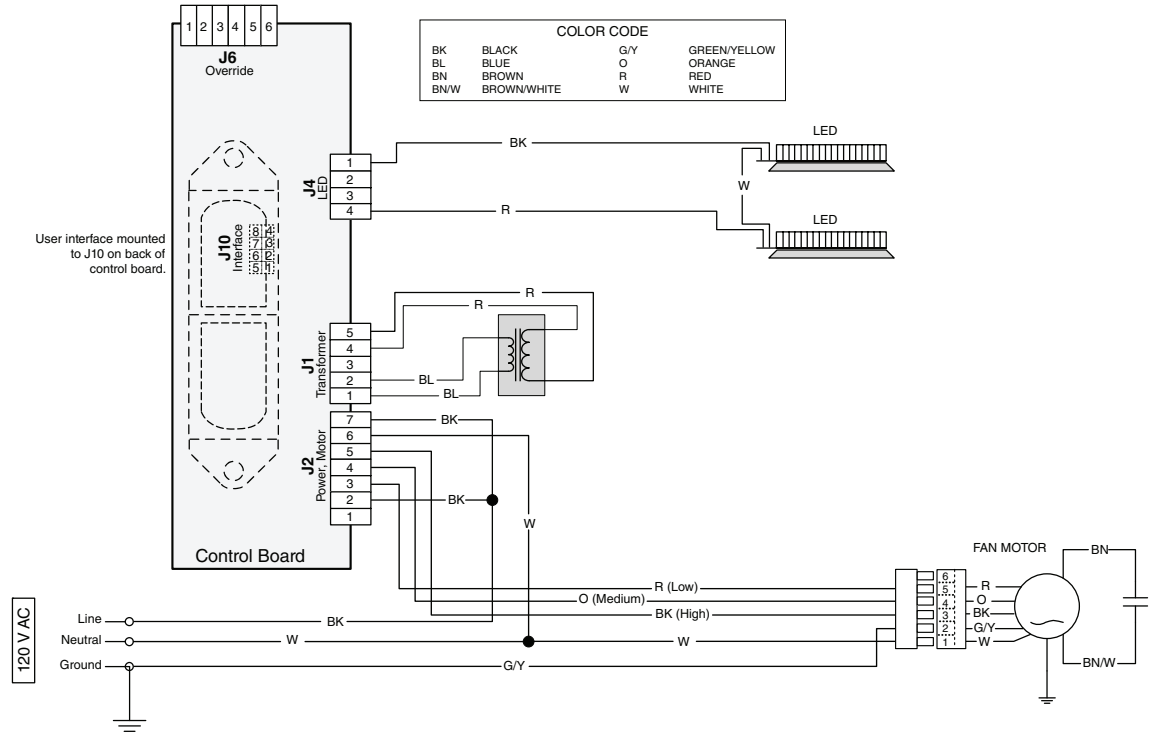
Non-ducted Installation Only:

According to your range hood model, purchase one or two non-ducted filters from your local distributor or retailer (see product specification label for filter type).

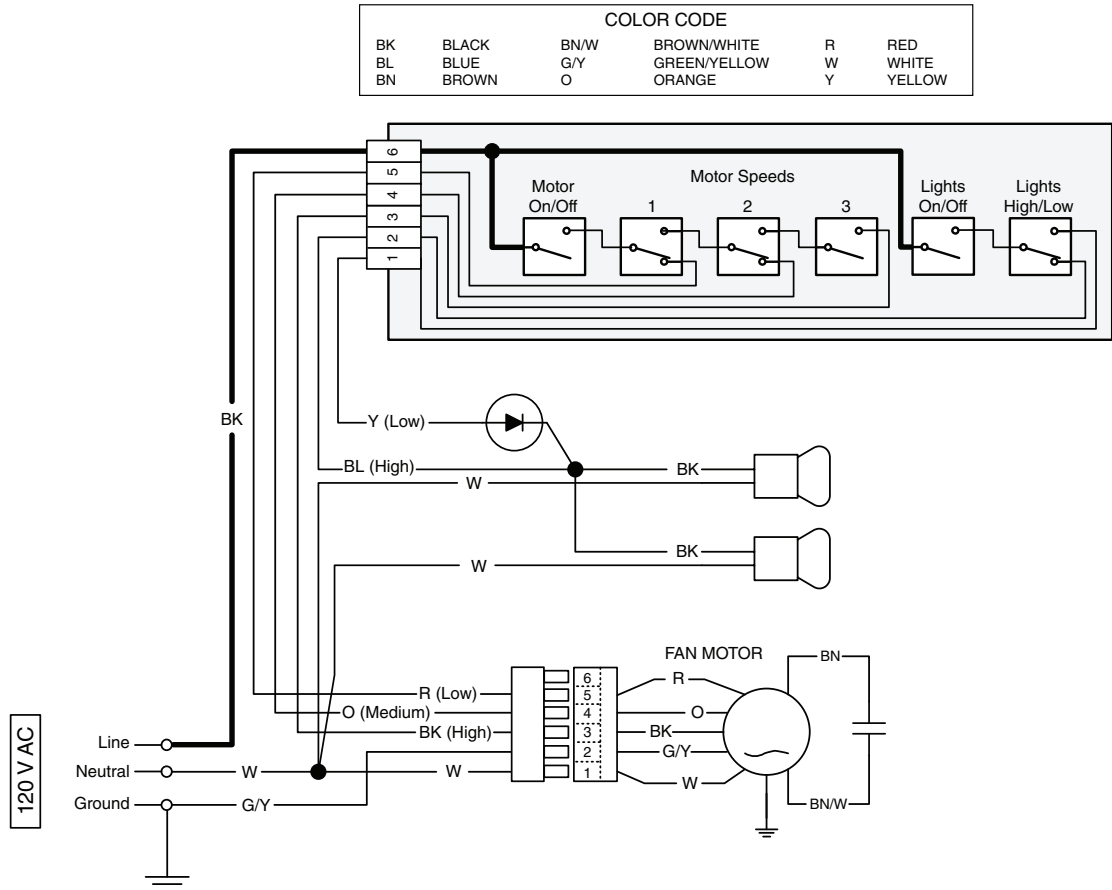
NOTE: The non-ducted filters are included with BKDF130SSK range hood.

Attach the non-ducted filter(s) following instructions packed with the non-ducted filter(s).

BKDD1, BKDF1 AND NKDF1 SERIES

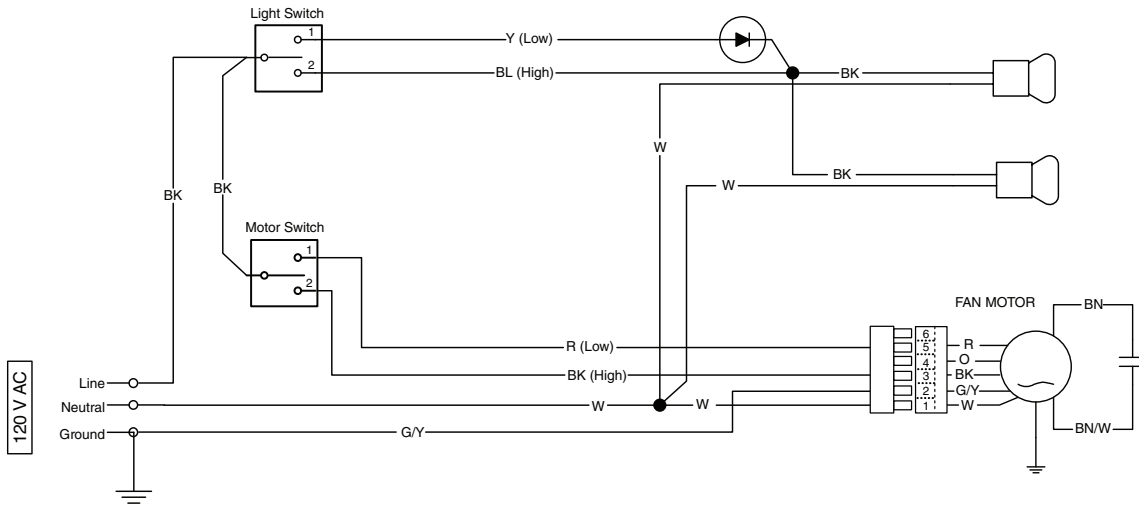


BKSM1 AND CKSL1 SERIES

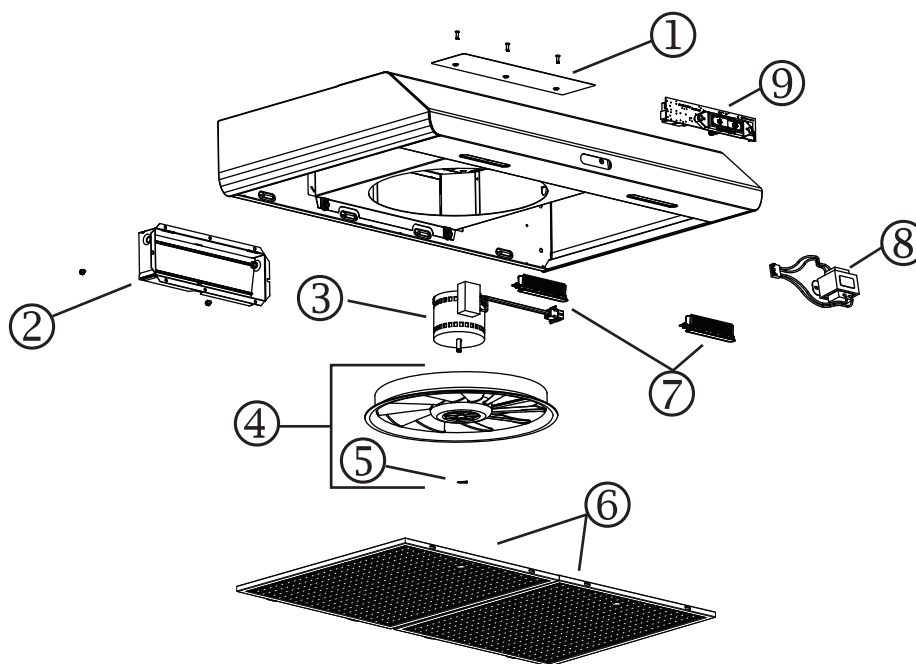


BKSA2, BKSR1, NKSA2 AND NKSH1 SERIES

COLOR CODE					
BK	BLACK	BN/W	BROWN/WHITE	R	RED
BL	BLUE	G/Y	GREEN/YELLOW	W	WHITE
BN	BROWN	O	ORANGE	Y	YELLOW



BKDD1 SERIES



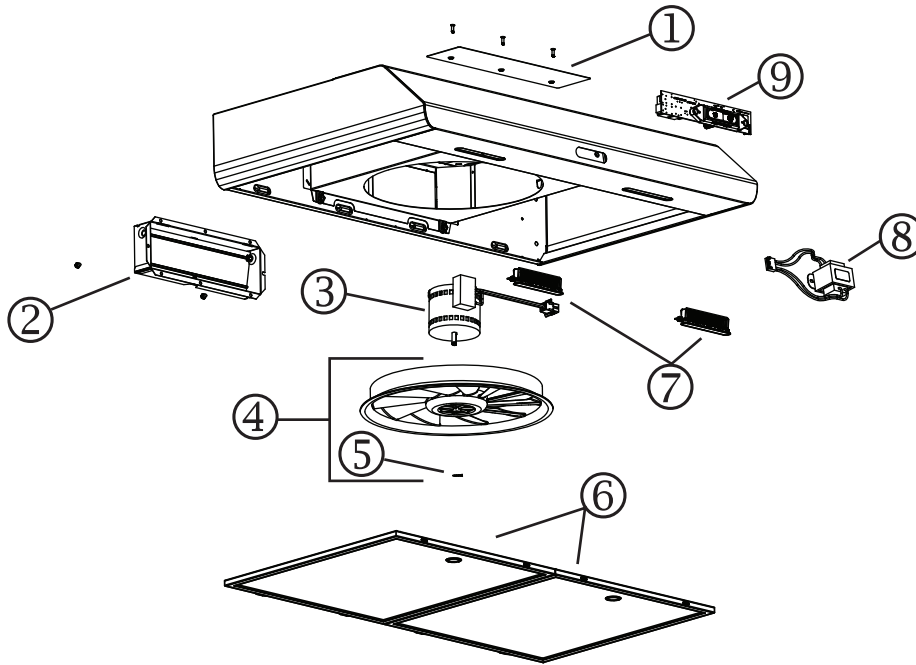
KEY NO.	PART NO.	DESCRIPTION	QUANTITY	
			30" STAINLESS	30" WHITE
1	S97020030	RECIRCULATION COVER PLATE, WHITE (INCLUDING SCREWS)		1
	S97020031	RECIRCULATION COVER PLATE, STAINLESS STEEL (INCLUDING SCREWS)	1	
2	S97020534	3¼" x 10" DAMPER ASSEMBLY (INCLUDING SCREWS)	1	1
3	S97020409	BLOWER MOTOR (INCLUDING 4 SCREWS AND 1 CAPACITOR)	1	1
4	S97020407	FANPELLER (INCLUDING ITEM 5)	1	1
5	SR99420635	CLIP FOR FANPELLER	1	1
6	S99010431-002	GREASE FILTER - MICRO MESH - OBLONG - TYPE C3 (SET OF 2)	1	1
7	S97020444	LED MODULE (PAIR)	1	1
8	S97020445	TRANSFORMER 24 V 18 VA (WITH SCREWS)	1	1
9	S97020431	CAPTOUCH CONTROL LED, STAINLESS (WITH SCREWS)	1	
	S97020432	CAPTOUCH CONTROL LED, WHITE (WITH SCREWS)		1
*	S97020452	WIRE HARNESS	1	1
*	S98011637	WIRING COVER	1	1
*	S97020360	PARTS BAG INCLUDING: 4 METAL SCREWS NO. 8-18 x 1/2", 6 ROUND HEAD NO. 8 x 5/8" WOOD SCREWS, 6 NO. 8 x 1/2" COUNTERSUNK SCREWS	1	1
*	S97020466	NON-DUCTED FILTER - TYPE Xc (SET OF 2) (NON-DUCTED INSTALLATION ONLY)	1	1
*	S99527587	NON-DUCTED FILTER CLIP KIT (INCLUDES 4 CLIPS)	1	1
*	S97020470	EASY INSTALL KIT (INCLUDING HARDWARE)	1	1

* ITEM NOT SHOWN.

REPLACEMENT PARTS AND REPAIRS

In order to ensure your unit remains in good working condition, you must use Venmar Ventilation ULC genuine replacement parts only. Venmar Ventilation ULC genuine replacement parts are specially designed for each unit and are manufactured to comply with all the applicable certification standards and maintain a high standard of safety. Any third party replacement part used may cause serious damage and drastically reduce the performance level of your unit, which will result in premature failing. Venmar Ventilation ULC recommends to contact a certified service depot for all replacement parts and repairs.

BKDF1 SERIES



KEY NO.	PART NO.	DESCRIPTION	QUANTITY	
			30" STAINLESS	30" WHITE
1	S97020030	RECIRCULATION COVER PLATE, WHITE (INCLUDING SCREWS)		1
	S97020031	RECIRCULATION COVER PLATE, STAINLESS STEEL (INCLUDING SCREWS)	1	
2	S97020534	3 1/4" x 10" DAMPER ASSEMBLY (INCLUDING SCREWS)	1	1
3	S97020409	BLOWER MOTOR (INCLUDING 4 SCREWS AND 1 CAPACITOR)	1	1
4	S97020407	FANPELLER (INCLUDING ITEM 5)	1	1
	SR99420635	CLIP FOR FANPELLER	1	1
6	S99010434-002	GREASE FILTER - MICRO MESH - TYPE C2 (SET OF 2)	1	1
7	S97020444	LED MODULE (PAIR)	1	1
8	S97020445	TRANSFORMER 24 V 18 VA (WITH SCREWS)	1	1
9	S97020431	CAPTOUCH CONTROL LED, STAINLESS (WITH SCREWS)	1	
	S97020432	CAPTOUCH CONTROL LED, WHITE (WITH SCREWS)		1
*	S97020452	WIRE HARNESS	1	1
*	S98011637	WIRING COVER	1	1
*	S97020360	PARTS BAG INCLUDING: 4 METAL SCREWS NO. 8-18 x 1/2", 6 ROUND HEAD NO. 8 x 5/8" WOOD SCREWS, 6 NO. 8 x 1/2" COUNTERSUNK SCREWS	1	1
*	S97020466†	NON-DUCTED FILTER - TYPE Xc (SET OF 2) (NON-DUCTED INSTALLATION ONLY)	1	1
*	S99527587†	NON-DUCTED FILTER CLIP KIT (INCLUDES 4 CLIPS)	1	1
*	S97020470	EASY INSTALL KIT (INCLUDING HARDWARE)	1	1
*	SR680508†	7" ROUND DUCT PLATE (INCLUDING SCREWS)	1	1

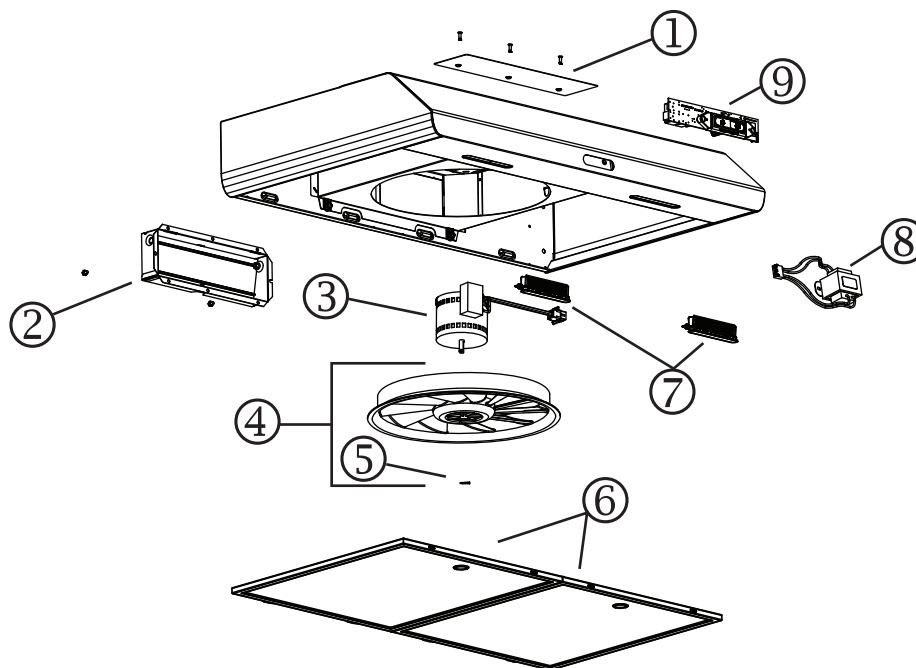
* ITEM NOT SHOWN.

† INCLUDED WITH BKDF130SSK MODEL ONLY.

REPLACEMENT PARTS AND REPAIRS

In order to ensure your unit remains in good working condition, you must use Broan-NuTone LLC or Venmar Ventilation ULC genuine replacement parts only. Broan-NuTone LLC or Venmar Ventilation ULC genuine replacement parts are specially designed for each unit and are manufactured to comply with all the applicable certification standards and maintain a high standard of safety. Any third party replacement part used may cause serious damage and drastically reduce the performance level of your unit, which will result in premature failing. Broan-NuTone LLC and Venmar Ventilation ULC recommend to contact a certified service depot for all replacement parts and repairs.

NKDF1 SERIES



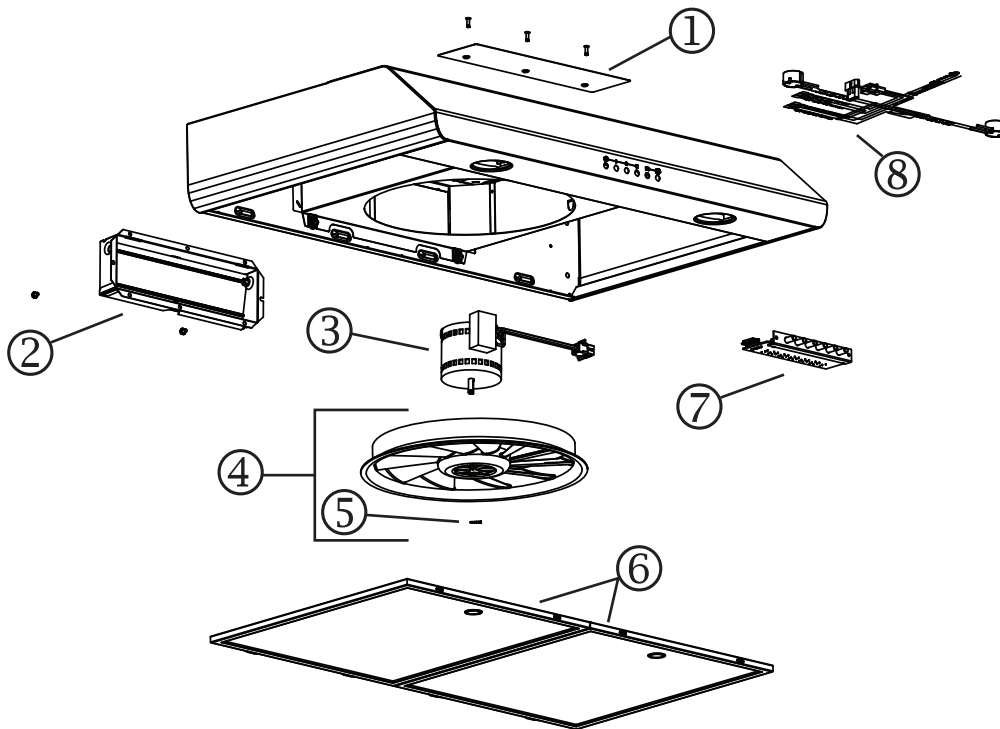
KEY NO.	PART NO.	DESCRIPTION	QUANTITY	
			30" STAINLESS	30" WHITE
1	S97020030	RECIRCULATION COVER PLATE, WHITE (INCLUDING SCREWS)		1
	S97020031	RECIRCULATION COVER PLATE, STAINLESS STEEL (INCLUDING SCREWS)	1	
2	S97020534	3¼" x 10" DAMPER ASSEMBLY (INCLUDING SCREWS)	1	1
3	S97020409	BLOWER MOTOR (INCLUDING 4 SCREWS AND 1 CAPACITOR)	1	1
4	S97020407	FANPELLER (INCLUDING ITEM 5)	1	1
5	SR99420635	CLIP FOR FANPELLER	1	1
6	S99010434-002	GREASE FILTER - MICRO MESH - TYPE C2 (SET OF 2)	1	1
7	S97020444	LED MODULE (PAIR)	1	1
8	S97020445	TRANSFORMER 24 V 18 VA (WITH SCREWS)	1	1
9	S97020431	CAPTOUCH CONTROL LED, STAINLESS (WITH SCREWS)	1	
	S97020432	CAPTOUCH CONTROL LED, WHITE (WITH SCREWS)		1
*	S97020452	WIRE HARNESS	1	1
*	S98011637	WIRING COVER	1	1
*	S97020360	PARTS BAG INCLUDING: 4 METAL SCREWS NO. 8-18 x 1/2"; 6 ROUND HEAD NO. 8 x 5/8" WOOD SCREWS, 6 NO. 8 x 1/2" COUNTERSUNK SCREWS	1	1
*	S97020466	NON-DUCTED FILTER - TYPE Xc (SET OF 2) (NON-DUCTED INSTALLATION ONLY)	1	1
*	S99527587	NON-DUCTED FILTER CLIP KIT (INCLUDES 4 CLIPS)	1	1
*	S97020470	EASY INSTALL KIT (INCLUDING HARDWARE)	1	1

* ITEM NOT SHOWN.

REPLACEMENT PARTS AND REPAIRS

In order to ensure your unit remains in good working condition, you must use Venmar Ventilation ULC genuine replacement parts only. Venmar Ventilation ULC genuine replacement parts are specially designed for each unit and are manufactured to comply with all the applicable certification standards and maintain a high standard of safety. Any third party replacement part used may cause serious damage and drastically reduce the performance level of your unit, which will result in premature failing. Venmar Ventilation ULC recommends to contact a certified service depot for all replacement parts and repairs.

BKSM1 SERIES



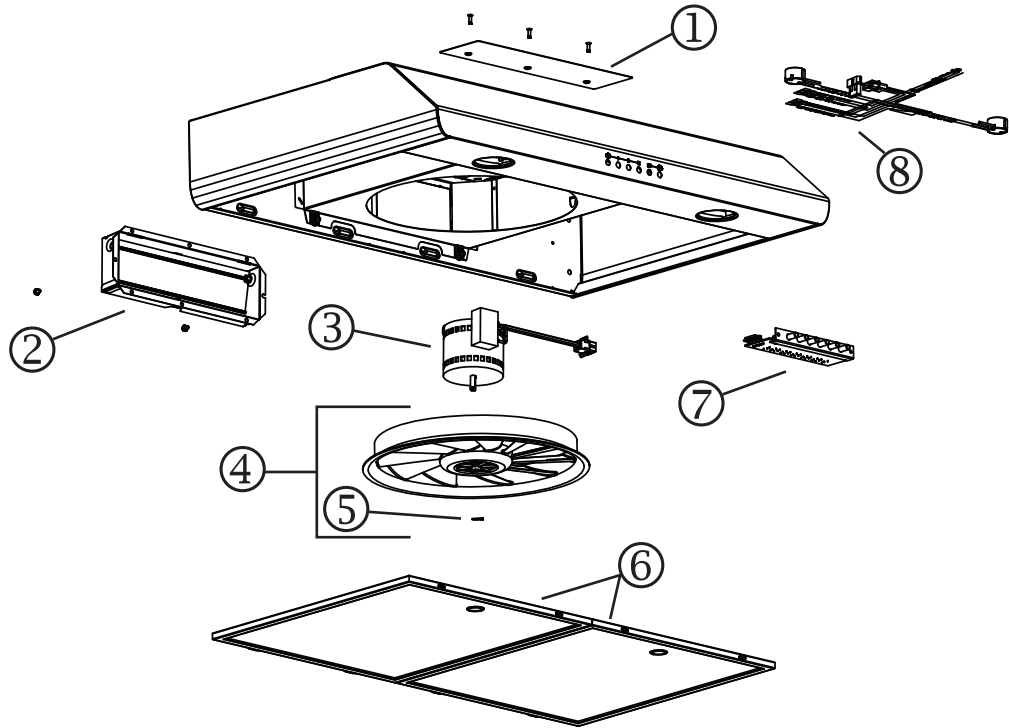
KEY NO.	PART NO.	DESCRIPTION	QUANTITY	
			30" STAINLESS	30" WHITE
1	S97020030	RECIRCULATION COVER PLATE, WHITE (INCLUDING SCREWS)		1
	S97020031	RECIRCULATION COVER PLATE, STAINLESS STEEL (INCLUDING SCREWS)	1	
2	S97020534	3¼" x 10" DAMPER ASSEMBLY (INCLUDING SCREWS)	1	1
3	S97020409	BLOWER MOTOR (INCLUDING 4 SCREWS AND 1 CAPACITOR)	1	1
4	S97020407	FANPELLER (INCLUDING ITEM 5)	1	1
5	SR99420635	CLIP FOR FANPELLER	1	1
6	S99010434-002	GREASE FILTER - MICRO MESH - TYPE C2 (SET OF 2)	1	1
7	S97020427	MECHANICAL PUSH-BUTTON CONTROL (6 BUTTONS)	1	1
8	S97020450	WIRE HARNESS	1	1
*	S98011637	WIRING COVER	1	1
*	S97020292	PARTS BAG INCLUDING: 4 METAL SCREWS NO. 8-18 x 1/2", 6 ROUND HEAD NO. 8 x 5/8" WOOD SCREWS, 6 NO. 8 x 1/2" COUNTERSUNK SCREWS, 1 SUCTION CUP TOOL	1	1
*	S97020466	NON-DUCTED FILTER - TYPE Xc (SET OF 2) (NON-DUCTED INSTALLATION ONLY)	1	1
*	S99527587	NON-DUCTED FILTER CLIP KIT (INCLUDES 4 CLIPS)	1	1
*	S97020470	EASY INSTALL KIT (INCLUDING HARDWARE)	1	1
*	SV05921	SHIELDED HALOGEN BULB 50 W, GU10	2	2

* ITEM NOT SHOWN.

REPLACEMENT PARTS AND REPAIRS

In order to ensure your unit remains in good working condition, you must use Venmar Ventilation ULC genuine replacement parts only. Venmar Ventilation ULC genuine replacement parts are specially designed for each unit and are manufactured to comply with all the applicable certification standards and maintain a high standard of safety. Any third party replacement part used may cause serious damage and drastically reduce the performance level of your unit, which will result in premature failing. Venmar Ventilation ULC recommends to contact a certified service depot for all replacement parts and repairs.

CKSL1 SERIES



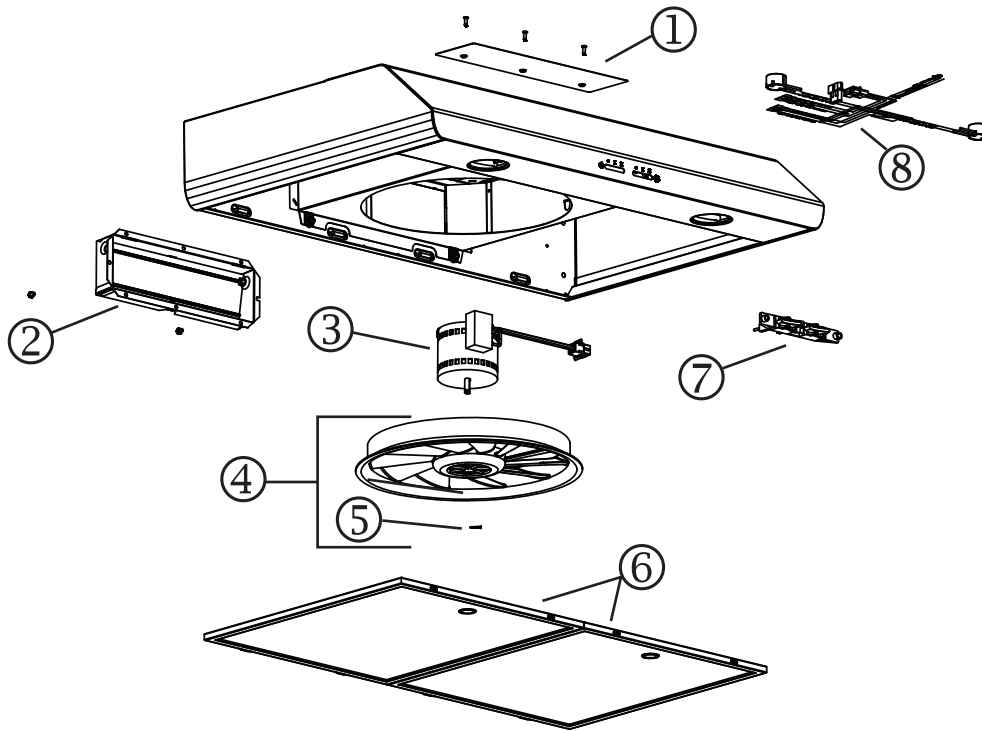
KEY NO.	PART NO.	DESCRIPTION	QUANTITY 30" STAINLESS
1	S97020031	RECIRCULATION COVER PLATE, STAINLESS STEEL (INCLUDING SCREWS)	1
2	S97020534	3¼" x 10" DAMPER ASSEMBLY (INCLUDING SCREWS)	1
3	S97020408	BLOWER MOTOR (INCLUDING 4 SCREWS AND 1 CAPACITOR)	1
4	S97020407	FANPELLER (INCLUDING ITEM 5)	1
5	SR99420635	CLIP FOR FANPELLER	1
6	S99010434-002	GREASE FILTER - MICRO MESH - TYPE C2 (SET OF 2)	1
7	S97020427	MECHANICAL PUSH-BUTTON CONTROL (6 BUTTONS)	1
8	S97020450	WIRE HARNESS	1
*	S98011637	WIRING COVER	1
*	S97020292	PARTS BAG INCLUDING: 4 METAL SCREWS NO. 8-18 x 1/2", 6 ROUND HEAD NO. 8 x 5/8" WOOD SCREWS, 6 NO. 8 x 1/2" COUNTERSUNK SCREWS, 1 SUCTION CUP TOOL	1
*	S97020466	NON-DUCTED FILTER - TYPE Xc (SET OF 2) (NON-DUCTED INSTALLATION ONLY)	1
*	S99527587	NON-DUCTED FILTER CLIP KIT (INCLUDES 4 CLIPS)	1
*	S97020470	EASY INSTALL KIT (INCLUDING HARDWARE)	1
*	SV05921	SHIELDED HALOGEN BULB 50 W, GU10	2

* ITEM NOT SHOWN.

REPLACEMENT PARTS AND REPAIRS

In order to ensure your unit remains in good working condition, you must use Venmar Ventilation ULC genuine replacement parts only. Venmar Ventilation ULC genuine replacement parts are specially designed for each unit and are manufactured to comply with all the applicable certification standards and maintain a high standard of safety. Any third party replacement part used may cause serious damage and drastically reduce the performance level of your unit, which will result in premature failing. Venmar Ventilation ULC recommends to contact a certified service depot for all replacement parts and repairs.

NKSH1 SERIES



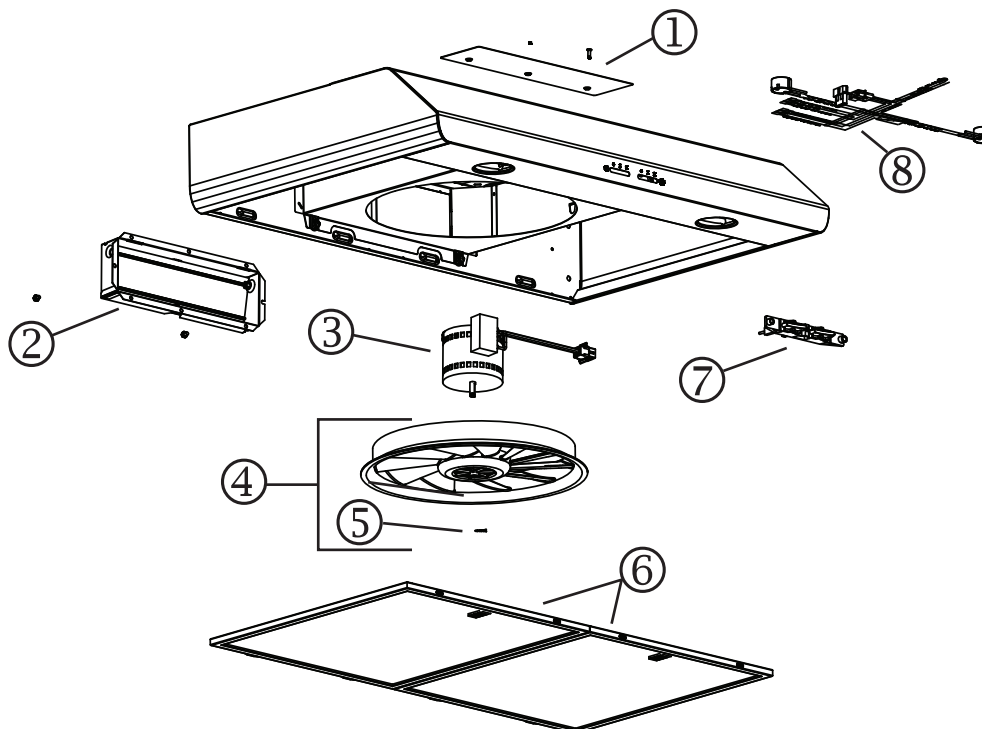
KEY NO.	PART NO.	DESCRIPTION	QUANTITY		
			30" STAINLESS	30" WHITE	30" BLACK
1	S97020030	RECIRCULATION COVER PLATE, WHITE (INCLUDING SCREWS)		1	
	S97020031	RECIRCULATION COVER PLATE, STAINLESS STEEL (INCLUDING SCREWS)	1		
	S97020029	RECIRCULATION COVER PLATE, BLACK (INCLUDING SCREWS)			1
2	S97020534	3¼" x 10" DAMPER ASSEMBLY (INCLUDING SCREWS)	1	1	1
3	S97020408	BLOWER MOTOR (INCLUDING 4 SCREWS AND 1 CAPACITOR)	1	1	1
4	S97020407	FANPELLER (INCLUDING ITEM 5)	1	1	1
5	SR99420635	CLIP FOR FANPELLER	1	1	1
6	S99010434-002	GREASE FILTER - MICRO MESH - TYPE C2 (SET OF 2)	1	1	1
7	S97020422	ELONGATED ROCKER SWITCH, GREY (INCLUDING SCREWS)	1		
	S97020421	ELONGATED ROCKER SWITCH, WHITE (INCLUDING SCREWS)		1	
	S97020420	ELONGATED ROCKER SWITCH, BLACK (INCLUDING SCREWS)			1
8	S97020448	WIRE HARNESS	1	1	1
*	S98011637	WIRING COVER	1	1	1
*	S97020292	PARTS BAG INCLUDING: 4 METAL SCREWS NO. 8-18 x 1/2", 6 ROUND HEAD NO. 8 x 5/8" WOOD SCREWS, 6 NO. 8 x 1/2" COUNTERSUNK SCREWS, 1 SUCTION CUP TOOL	1	1	1
*	S97020466	NON-DUCTED FILTER - TYPE Xc (SET OF 2) (NON-DUCTED INSTALLATION ONLY)	1	1	1
*	S99527587	NON-DUCTED FILTER CLIP KIT (INCLUDES 4 CLIPS)	1	1	1
*	S97020470	EASY INSTALL KIT (INCLUDING HARDWARE)	1	1	1
*	SV05921	SHIELDED HALOGEN BULB 50 W, GU10	2	2	2

* ITEM NOT SHOWN.

REPLACEMENT PARTS AND REPAIRS

In order to ensure your unit remains in good working condition, you must use Venmar Ventilation ULC genuine replacement parts only. Venmar Ventilation ULC genuine replacement parts are specially designed for each unit and are manufactured to comply with all the applicable certification standards and maintain a high standard of safety. Any third party replacement part used may cause serious damage and drastically reduce the performance level of your unit, which will result in premature failing. Venmar Ventilation ULC recommends to contact a certified service depot for all replacement parts and repairs.

BKSR1 SERIES



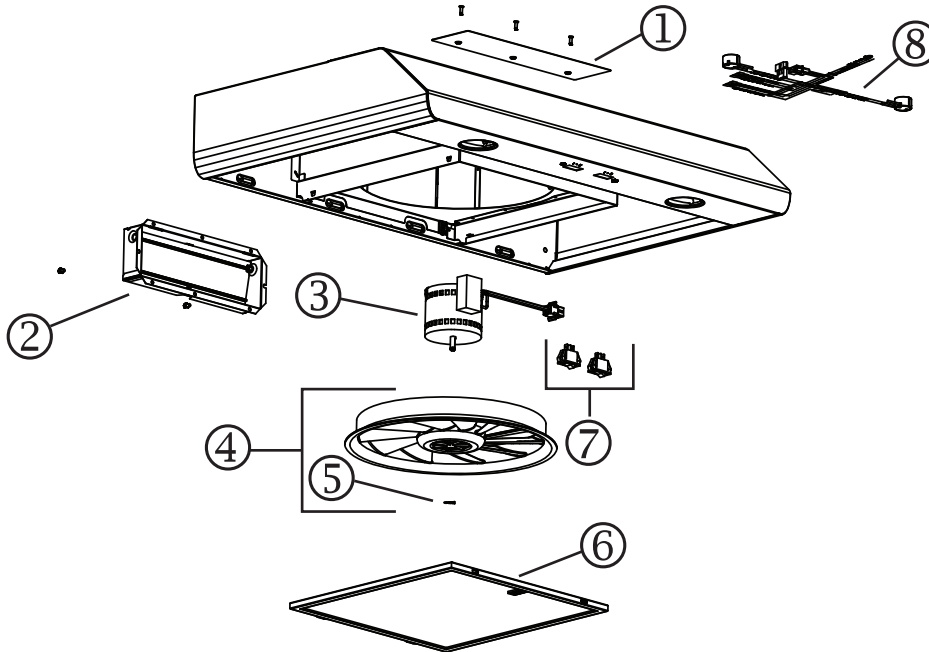
KEY NO.	PART NO.	DESCRIPTION	QUANTITY	
			30" STAINLESS	30" WHITE
1	S97020030	RECIRCULATION COVER PLATE, WHITE (INCLUDING SCREWS)		1
	S97020031	RECIRCULATION COVER PLATE, STAINLESS STEEL (INCLUDING SCREWS)	1	
2	S97020534	3 1/4" x 10" DAMPER ASSEMBLY (INCLUDING SCREWS)	1	1
3	S97020408	BLOWER MOTOR (INCLUDING 4 SCREWS AND 1 CAPACITOR)	1	1
4	S97020407	FANPELLER (INCLUDING ITEM 5)	1	1
5	SR99420635	CLIP FOR FANPELLER	1	1
6	S99010430-002	GREASE FILTER - OPEN MESH - TYPE C1 (SET OF 2)	1	1
7	S97020422	ELONGATED ROCKER SWITCH, GREY (INCLUDING SCREWS)	1	
	S97020421	ELONGATED ROCKER SWITCH, WHITE (INCLUDING SCREWS)		1
8	S97020448	WIRE HARNESS	1	1
*	S98011637	WIRING COVER	1	1
*	S97020292	PARTS BAG INCLUDING: 4 METAL SCREWS NO. 8-18 x 1/2", 6 ROUND HEAD NO. 8 x 5/8" WOOD SCREWS, 6 NO. 8 x 1/2" COUNTERSUNK SCREWS, 1 SUCTION CUP TOOL	1	1
*	S97020466	NON-DUCTED FILTER - TYPE Xc (SET OF 2) (NON-DUCTED INSTALLATION ONLY)	1	1
*	S99527587	NON-DUCTED FILTER CLIP KIT (INCLUDES 4 CLIPS)	1	1
*	S97020470	EASY INSTALL KIT (INCLUDING HARDWARE)	1	1
*	SV05921	SHIELDED HALOGEN BULB 50 W, GU10	2	2

* ITEM NOT SHOWN.

REPLACEMENT PARTS AND REPAIRS

In order to ensure your unit remains in good working condition, you must use Venmar Ventilation ULC genuine replacement parts only. Venmar Ventilation ULC genuine replacement parts are specially designed for each unit and are manufactured to comply with all the applicable certification standards and maintain a high standard of safety. Any third party replacement part used may cause serious damage and drastically reduce the performance level of your unit, which will result in premature failing. Venmar Ventilation ULC recommends to contact a certified service depot for all replacement parts and repairs.

BKSA2 AND NKSA2 SERIES



KEY NO.	PART NO.	DESCRIPTION	QUANTITY
			30" STAINLESS
1	S97020031	RECIRCULATION COVER PLATE, STAINLESS STEEL (INCLUDING SCREWS)	1
2	S97020534	3 1/4" x 10" DAMPER ASSEMBLY (INCLUDING SCREWS)	1
3	S97020408	BLOWER MOTOR (INCLUDING 4 SCREWS AND 1 CAPACITOR)	1
4	S97020407	FANPELLER (INCLUDING ITEM 5)	1
5	SR99420635	CLIP FOR FANPELLER	1
6	S99010436	GREASE FILTER - OPEN MESH - TYPE A0	1
7	S99030367	ROCKER SWITCH, GREY (SET OF 2)	1
8	S97020448	WIRE HARNESS	1
*	S98011637	WIRING COVER	1
*	S97018623	PARTS BAG INCLUDING: 5 ROUND HEAD NO. 8 x 5/8" WOOD SCREWS, 1 SUCTION CUP TOOL	1
*	S97020464	NON-DUCTED FILTER - TYPE XA (1PC.) (NON-DUCTED INSTALLATION ONLY)	1
*	S99527587	NON-DUCTED FILTER CLIP KIT (INCLUDES 4 CLIPS)	1
*	SV05921	SHIELDED HALOGEN BULB 50 W, GU10	2

* ITEM NOT SHOWN.

REPLACEMENT PARTS AND REPAIRS

In order to ensure your unit remains in good working condition, you must use Venmar Ventilation ULC genuine replacement parts only. Venmar Ventilation ULC genuine replacement parts are specially designed for each unit and are manufactured to comply with all the applicable certification standards and maintain a high standard of safety. Any third party replacement part used may cause serious damage and drastically reduce the performance level of your unit, which will result in premature failing. Venmar Ventilation ULC recommends to contact a certified service depot for all replacement parts and repairs.

Limited Warranty

Warranty Period and Exclusions: Broan-NuTone LLC and Venmar Ventilation ULC (either being the “Company”) warrants to the original consumer purchaser of its product (“you”) that the product (the “Product”) will be free from material defects in the Product or its workmanship for a period of one (1) year from the date of original purchase (or such longer period as may be required by applicable law). For Range Hood Product that includes built-in LED modules, the Company warrants the LED modules and driver to be free from material defects for a period of three (3) years from the date of purchase.

The limited warranty period for any replacement parts provided by the Company and for any Products repaired or replaced under this limited warranty shall be the remainder of the original warranty period (or such longer period as may be required by applicable law).

This warranty does not cover fluorescent lamp starters, tubes, halogen and incandescent bulbs, fuses, filters, ducts, roof caps, wall caps and other accessories for ducting that may be purchased separately and installed with the Product. This warranty also does not cover (a) normal maintenance and service, (b) normal wear and tear, (c) any Products or parts which have been subject to misuse, abuse, abnormal usage, negligence, accident, improper or insufficient maintenance, storage or repair (other than repair by the Company), (d) damage caused by faulty installation, or installation or use contrary to recommendations or instructions, (e) any Product that has been moved from its original point of installation, (f) damage caused by environmental or natural elements, (g) damage in transit, (h) natural wear of finish, (i) Products in commercial or nonresidential use, or (j) damage caused by fire, flood or other act of God or (k) Products with altered, defaced or removed serial numbers. This warranty covers only Products sold to original consumers in the United States and Canada by the Company or its U.S. and Canadian distributors authorized by the Company.

This warranty supersedes all prior warranties and, subject to applicable law, is not transferable from the original consumer purchaser.

No Other Warranties: This Limited Warranty contains the Company’s sole obligation and your sole remedy for defective products. The foregoing warranties are exclusive and in lieu of any other warranties and conditions, express or implied. **THE COMPANY DISCLAIMS AND EXCLUDES ALL OTHER EXPRESS WARRANTIES AND CONDITIONS, AND DISCLAIMS AND EXCLUDES ALL WARRANTIES AND CONDITIONS IMPLIED BY LAW, INCLUDING WITHOUT LIMITATION THOSE OF MERCHANTABILITY AND FITNESS FOR A PARTICULAR PURPOSE.** To the extent that applicable law prohibits the exclusion of implied warranties or conditions, the duration of any applicable implied warranty or condition is limited to the period specified for the express warranty above. Some jurisdictions do not allow limitations on how long an implied warranty lasts, so the above limitation may not apply to you. Any oral or written description of the Product is for the sole purpose of identifying it and shall not be construed as an express warranty.

Whenever possible, each provision of this Limited Warranty shall be interpreted in such manner as to be effective and valid under applicable law, but if any provision is held to be prohibited or invalid, such provision shall be ineffective only to the extent of such prohibition or invalidity, without invalidating the remainder of such provision or the other remaining provisions of the Limited Warranty.

Remedy: During the applicable limited warranty period, the Company will, at its option, provide replacement parts for, or repair or replace, without charge, any Product or part thereof, to the extent the Company finds it to be covered by and in breach of this limited warranty under normal use and service. The Company will ship the repaired or replaced Product or replacement parts to you at no charge. You are responsible for all costs for removal, reinstallation and shipping, insurance or other freight charges incurred in the shipment of the Product or part to the Company. If you must send the Product or part to the Company, as instructed by the Company, you must properly pack the Product or part—the Company is not responsible for damage in transit. The Company reserves the right to utilize reconditioned, refurbished, repaired or remanufactured Products or parts in the warranty repair or replacement process. Such Products and parts will be comparable in function and performance to an original Product or part and warranted for the remainder of the original warranty period (or such longer period as may be required by applicable law).

Company reserves the right, in its sole discretion, to refund the money actually paid by you for the Product in lieu of repair or replacement. If the Product or component is no longer available, replacement may be made with a similar product of equal or greater value, at Company’s sole discretion. This is your sole and exclusive remedy for breach of this limited warranty.

Exclusion of Damages: **THE COMPANY’S OBLIGATION TO PROVIDE REPLACEMENT PARTS, OR REPAIR, REPLACE OR REFUND, AT THE COMPANY’S OPTION, SHALL BE YOUR SOLE AND EXCLUSIVE REMEDY UNDER THIS LIMITED WARRANTY AND THE COMPANY’S SOLE AND EXCLUSIVE OBLIGATION. THE COMPANY SHALL NOT BE LIABLE FOR INCIDENTAL, INDIRECT, CONSEQUENTIAL OR SPECIAL DAMAGES ARISING OUT OF OR IN CONNECTION WITH THE PRODUCT, ITS USE OR PERFORMANCE.** Incidental damages include but are not limited to such damages as loss of time and loss of use. Consequential damages include but are not limited to the cost of repairing or replacing other property which was damaged if the Product does not work properly.

THE COMPANY SHALL NOT BE LIABLE TO YOU, OR TO ANYONE CLAIMING UNDER YOU, FOR ANY OTHER OBLIGATIONS OR LIABILITIES, INCLUDING, BUT NOT LIMITED TO, OBLIGATIONS OR LIABILITIES ARISING OUT OF BREACH OF CONTRACT OR WARRANTY, NEGLIGENCE OR OTHER TORT OR ANY THEORY OF STRICT LIABILITY, WITH RESPECT TO THE PRODUCT OR THE COMPANY’S ACTS OR OMISSIONS OR OTHERWISE.

Some jurisdictions do not allow the exclusion or limitation of incidental or consequential damages, so the above limitation or exclusion may not apply to you. This warranty gives you specific legal rights, and you may also have other rights, which vary from jurisdiction to jurisdiction. The disclaimers, exclusions, and limitations of liability under this warranty will not apply to the extent prohibited by applicable law.

This warranty covers only replacement or repair of defective Products or parts thereof at the Company’s main facility and does not include the cost of field service travel and living expenses.

Any assistance the Company provides to or procures for you outside the terms, limitations or exclusions of this limited warranty will not constitute a waiver of such terms, limitations or exclusions, nor will such assistance extend or revive the warranty. The Company will not reimburse you for any expenses incurred by you in repairing or replacing any defective Product, except for those incurred with the Company’s prior written permission.

How to Obtain Warranty Service: To qualify for warranty service, you must (a) notify the Company at the address or telephone number stated below within seven (7) days of discovering the covered defect, (b) give the model number and part identification and (c) describe the nature of any defect in the Product or part. At the time of requesting warranty service, you must present evidence of the original purchase date. If you cannot provide a copy of the original written limited warranty, then the terms of the Company’s most current written limited warranty for your particular product will control. The most current limited written warranties for the Company’s products can be found at www.Broan-NuTone.com and www.nutone.ca. Broan-NuTone LLC 926 West State Street, Hartford, WI 53027 www.Broan-NuTone.com 1-800-558-1711 Venmar Ventilation ULC, 550 Lemire Blvd., Drummondville, Québec, Canada J2T 7W9 www.broan.ca www.nutone.ca 1-877-896-1119